



US00D611418S

(12) **United States Design Patent**
Kato et al.

(10) **Patent No.:** **US D611,418 S**
(45) **Date of Patent:** **** Mar. 9, 2010**

(54) **OPTICAL CONNECTOR**

(75) Inventors: **Seiji Kato**, Sakura (JP); **Tatsuya Ohta**,
Sakura (JP)

(73) Assignee: **Fujikura Ltd.**, Tokyo (JP)

(**) Term: **14 Years**

(21) Appl. No.: **29/309,288**

(22) Filed: **Jul. 18, 2008**

(51) **LOC (9) Cl.** **13-03**

(52) **U.S. Cl.** **D13/147**

(58) **Field of Classification Search** D13/133,
D13/146-147, 154, 184; 385/55, 59-60,
385/71, 78, 80, 83, 89-91; 439/353, 358,
439/660, 682

See application file for complete search history.

(56) **References Cited**

U.S. PATENT DOCUMENTS

5,799,122	A *	8/1998	Jeong et al.	385/59
5,923,803	A *	7/1999	Bunin et al.	385/80
6,146,024	A *	11/2000	Melchior	385/59
6,168,317	B1 *	1/2001	Shahid	385/71
6,257,917	B1 *	7/2001	Hyzin	439/358
D526,276	S *	8/2006	Shiraishi et al.	D13/146
D590,773	S *	4/2009	Suematsu et al.	D13/147
2001/0053266	A1 *	12/2001	Suematsu et al.	385/80
2004/0208456	A1 *	10/2004	Yang et al.	385/78
2006/0245695	A1 *	11/2006	Fujiwara et al.	385/71
2009/0116793	A1 *	5/2009	Nishimura et al.	385/78

* cited by examiner

Primary Examiner—Daniel D Bui
(74) *Attorney, Agent, or Firm*—Nixon & Vanderhye P.C.

(57) **CLAIM**

The ornamental design for an optical connector, as shown and described.

DESCRIPTION

FIG. 1 is a front perspective view of a first embodiment of an optical connector showing our design.

FIG. 2 is a rear perspective view thereof.

FIG. 3 is a front elevation view thereof.

FIG. 4 is a rear elevation view thereof.

FIG. 5 is left side elevation view thereof. A right side elevation view is symmetrical with the left side elevation view.

FIG. 6 is a top plan view thereof.

FIG. 7 is a bottom plan view thereof.

FIG. 8 is a front perspective view of a second embodiment of an optical connector showing our design.

FIG. 9 is a rear perspective view thereof.

FIG. 10 is a front elevation view thereof.

FIG. 11 is a rear elevation view thereof.

FIG. 12 is left side elevation view thereof. A right side elevation view is symmetrical with the left side elevation view.

FIG. 13 is a top plan view thereof; and,

FIG. 14 is a bottom plan view thereof.

The broken line portion of the figure drawings is included to show unclaimed subject matter only and forms no part of the claimed design.

1 Claim, 14 Drawing Sheets

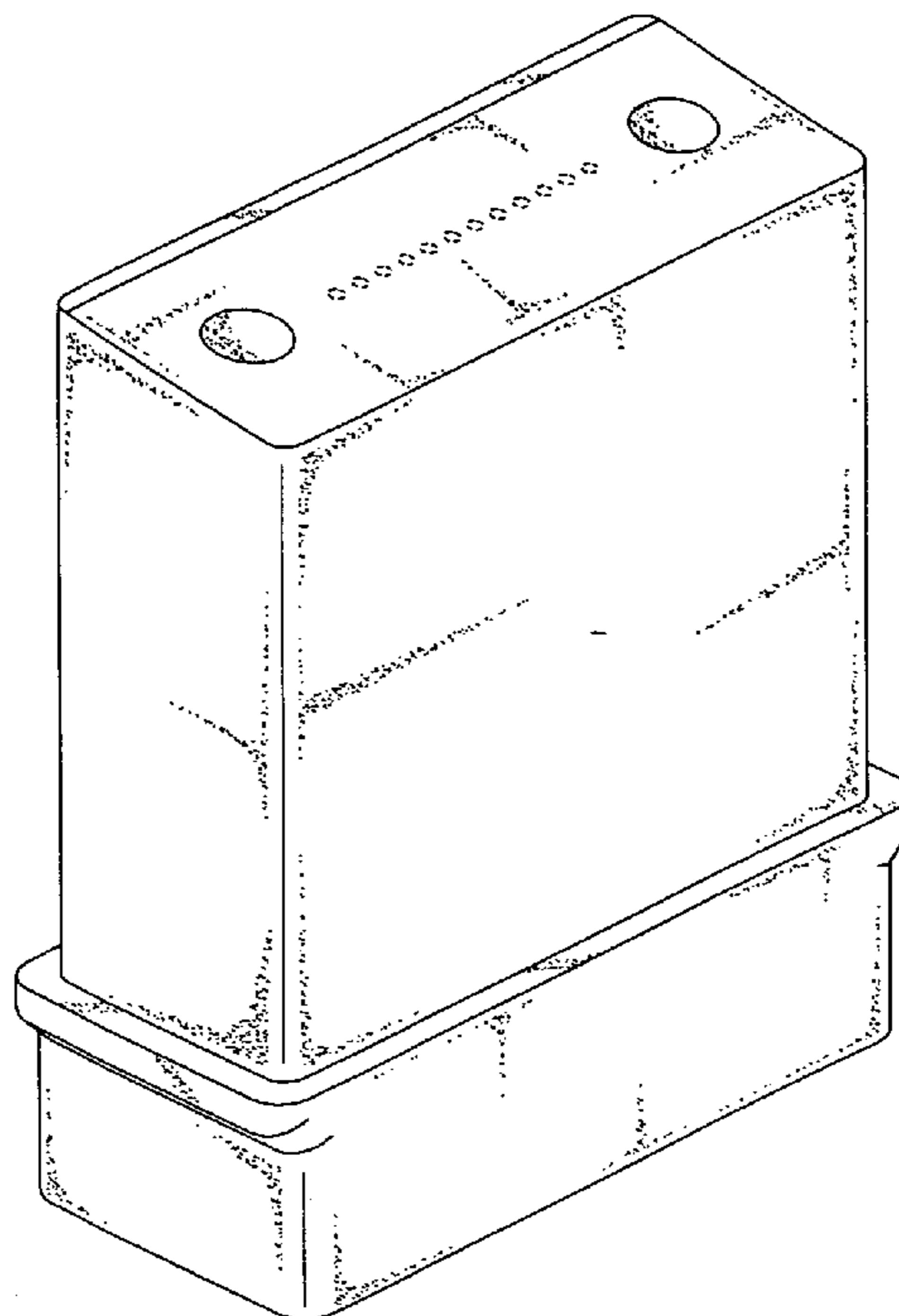
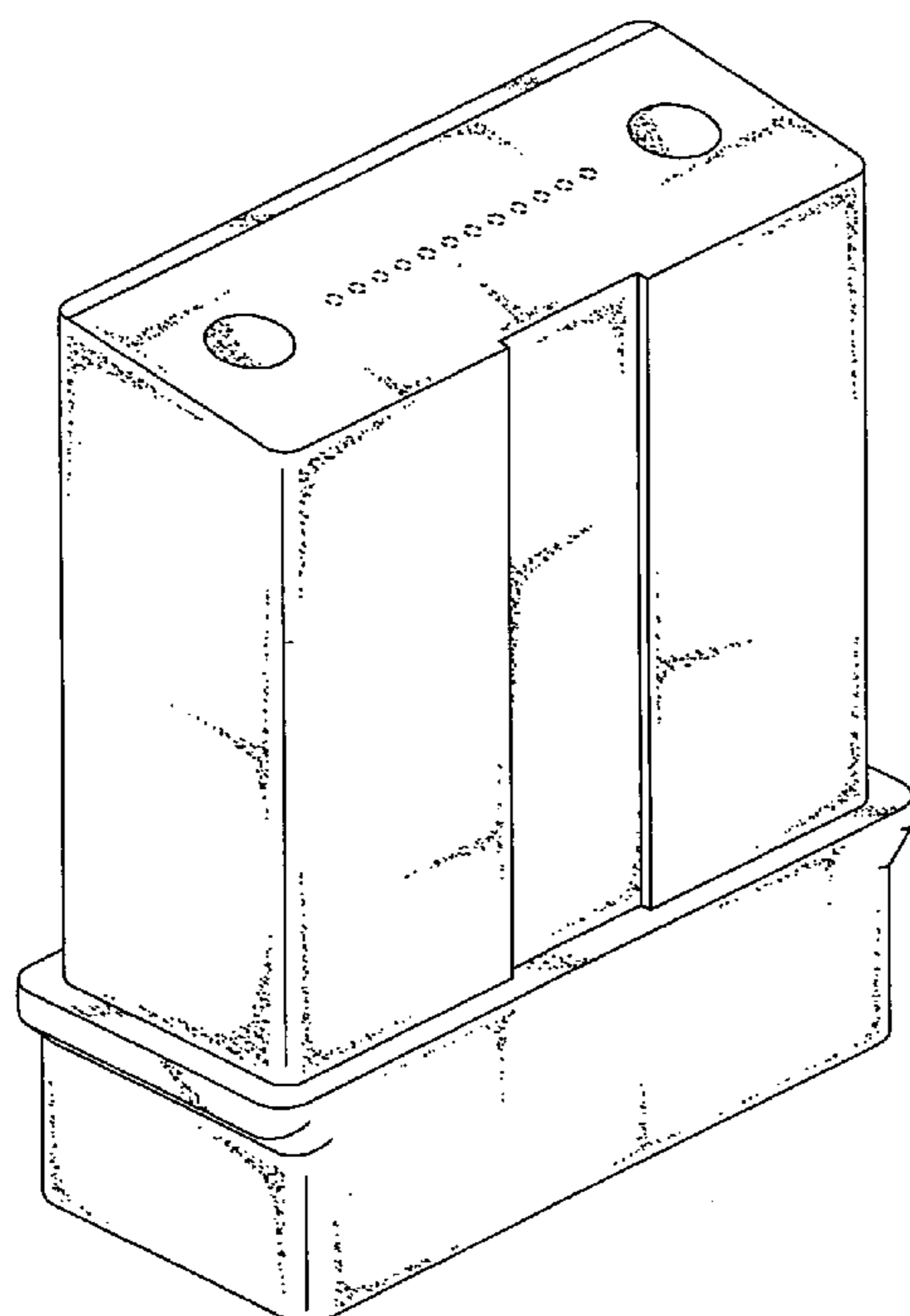


FIG. 1

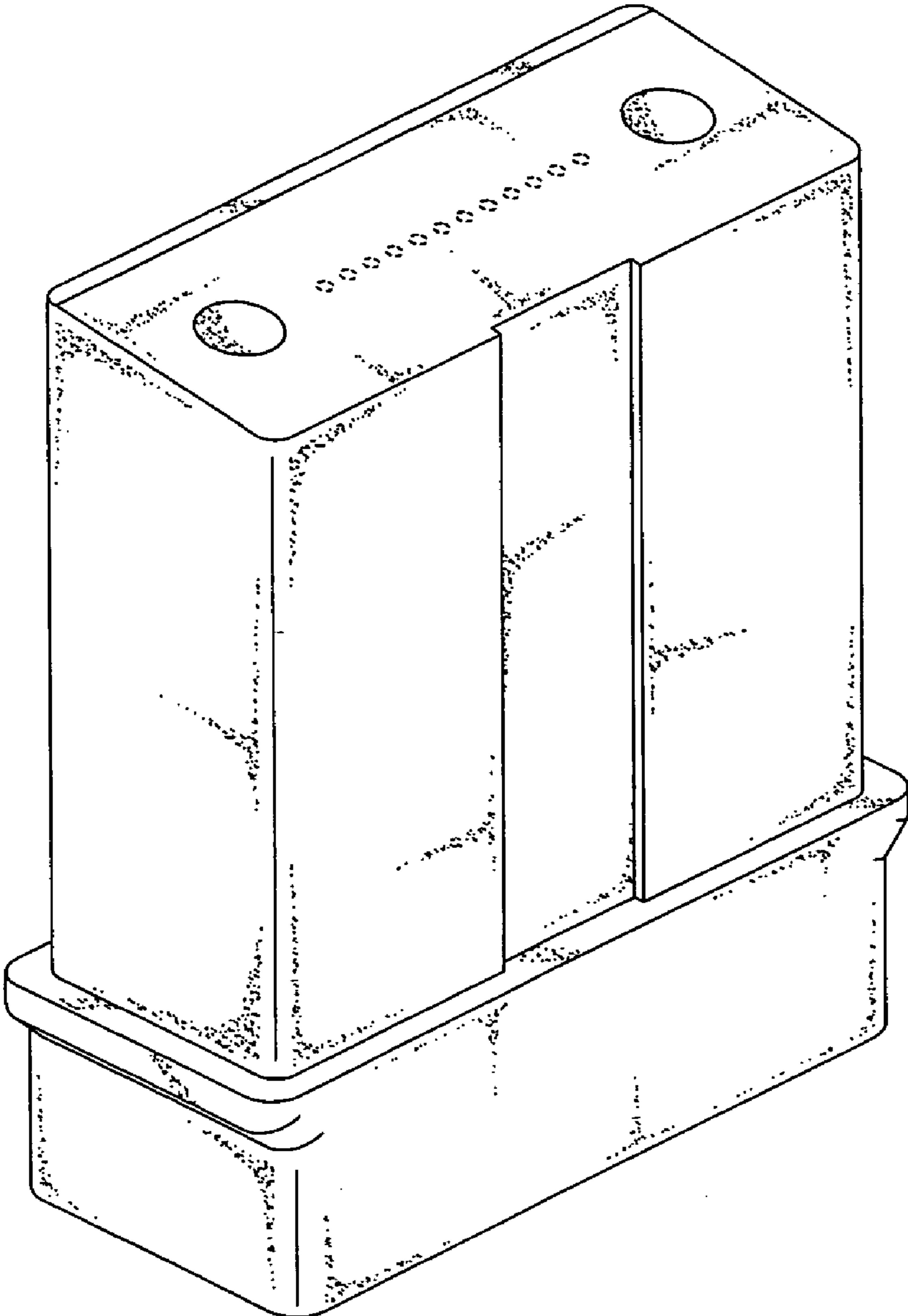


FIG. 2

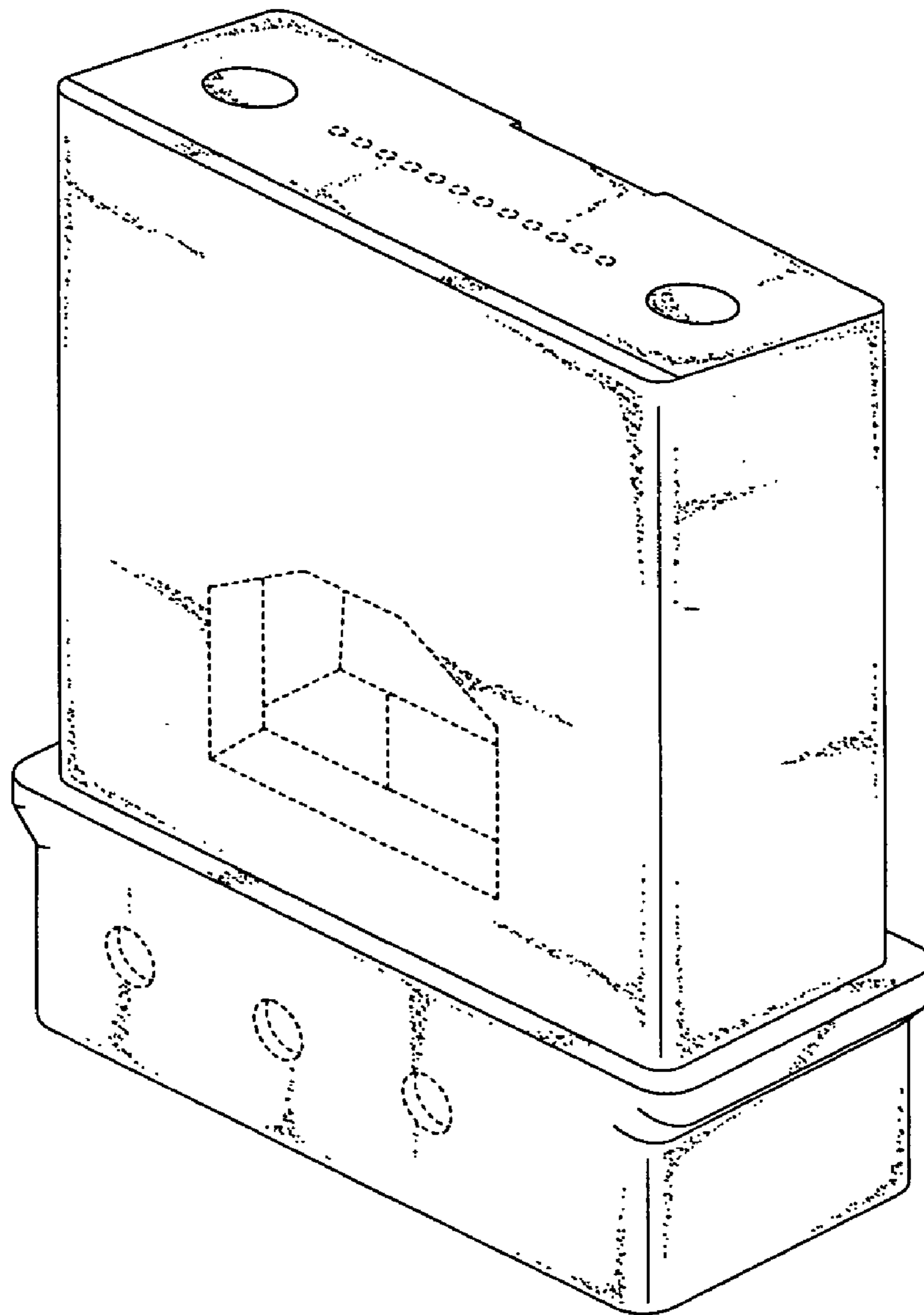


FIG. 3

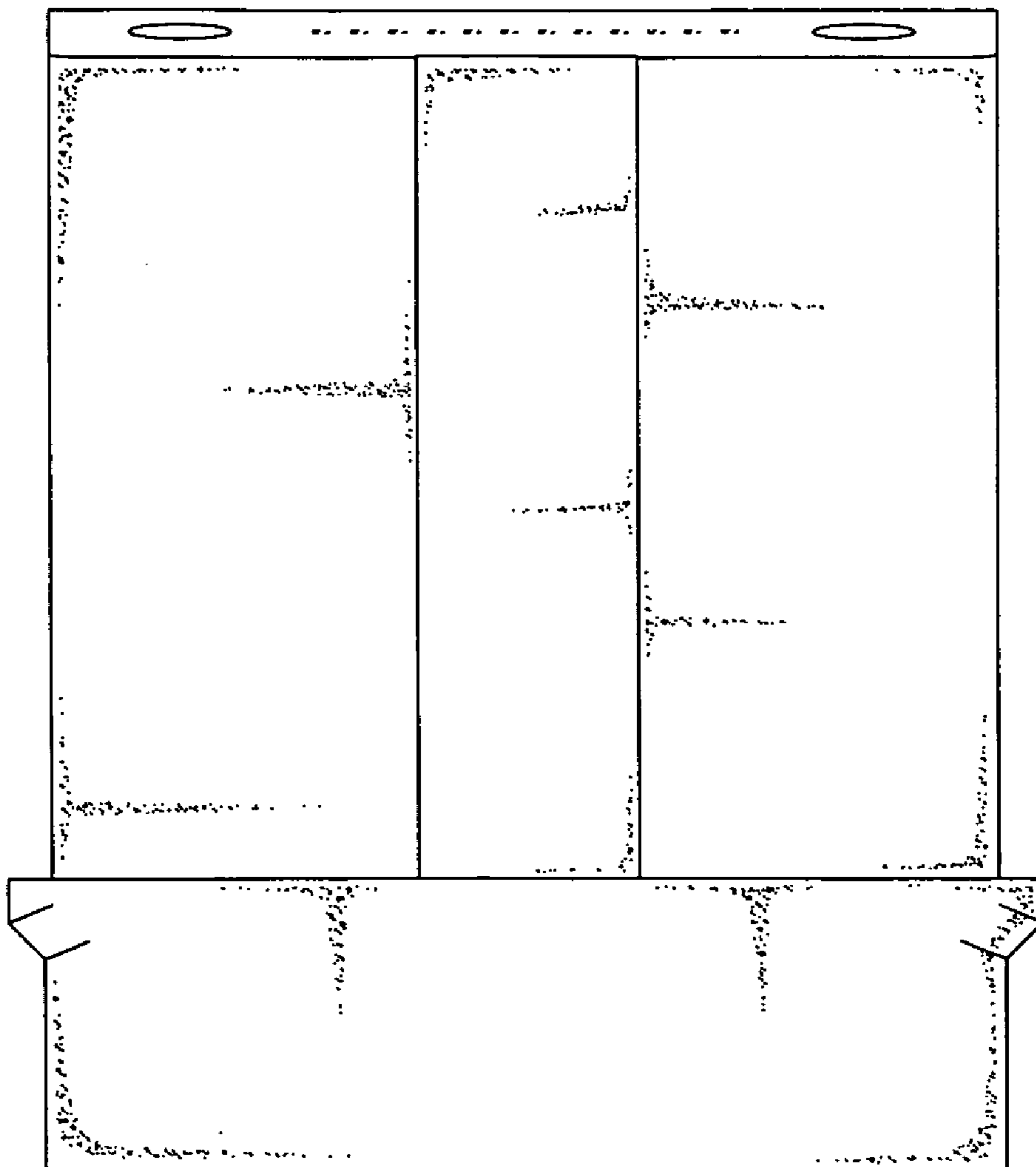


FIG. 4

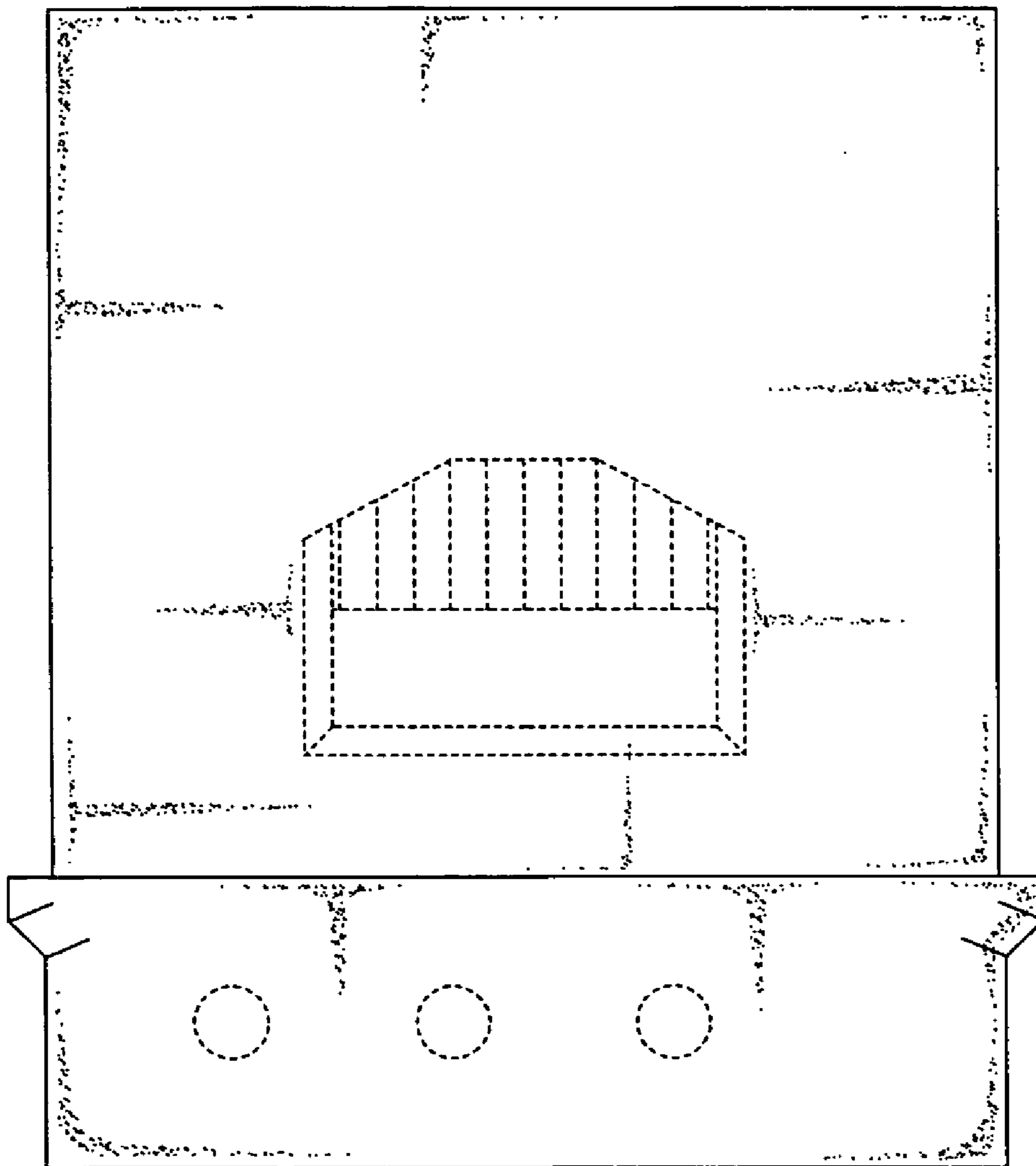


FIG. 5

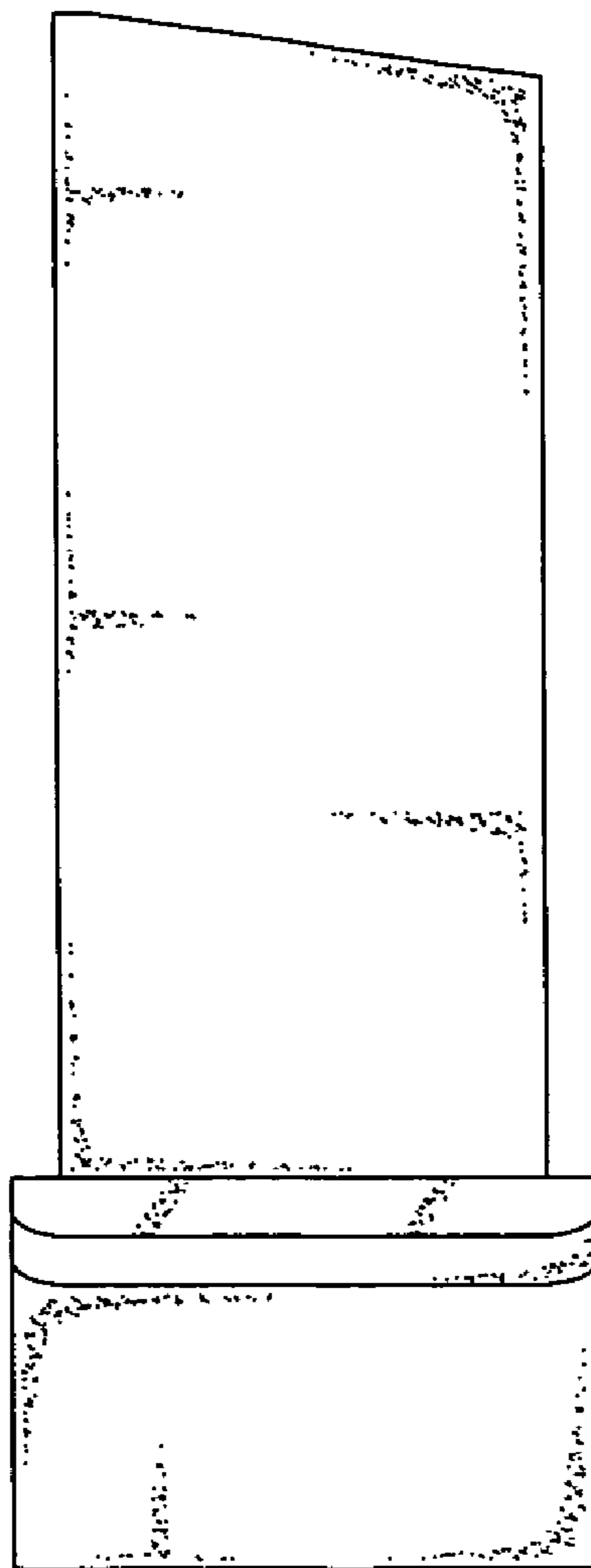


FIG. 6

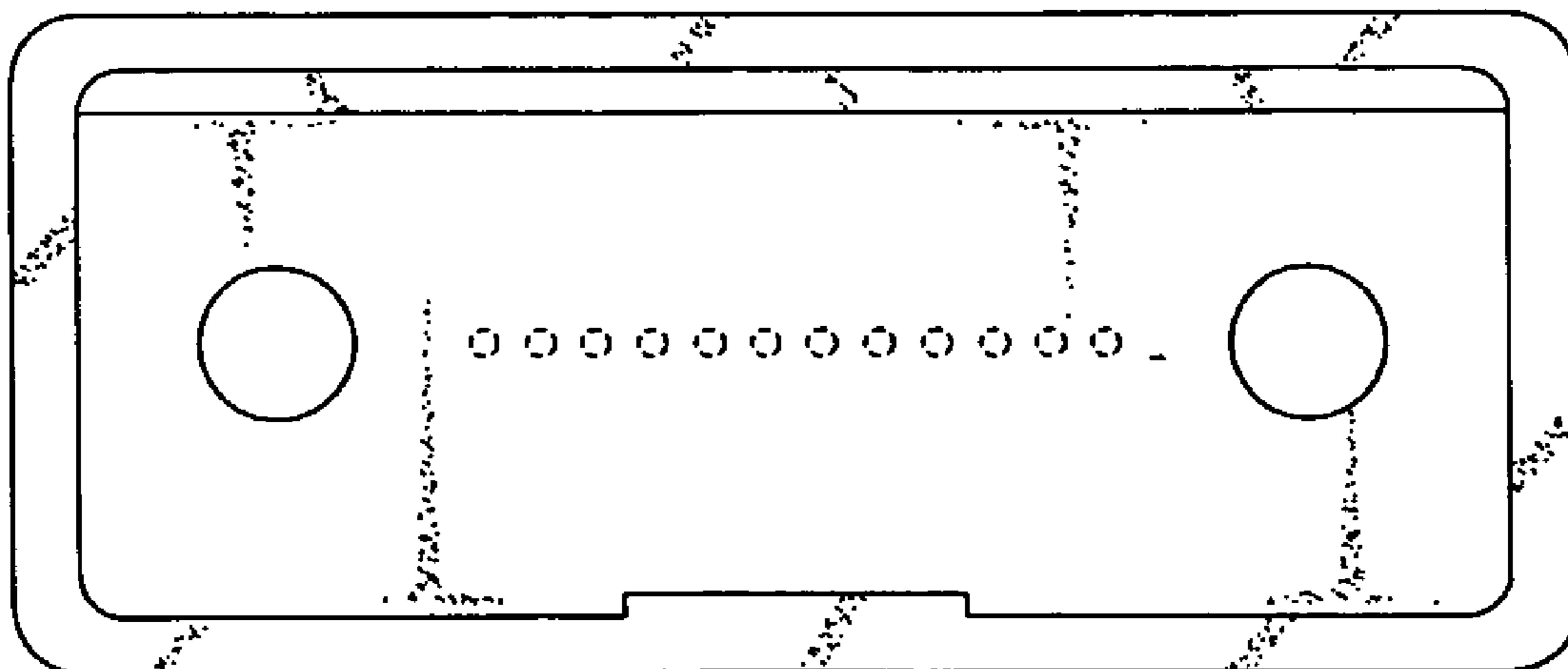


FIG. 7

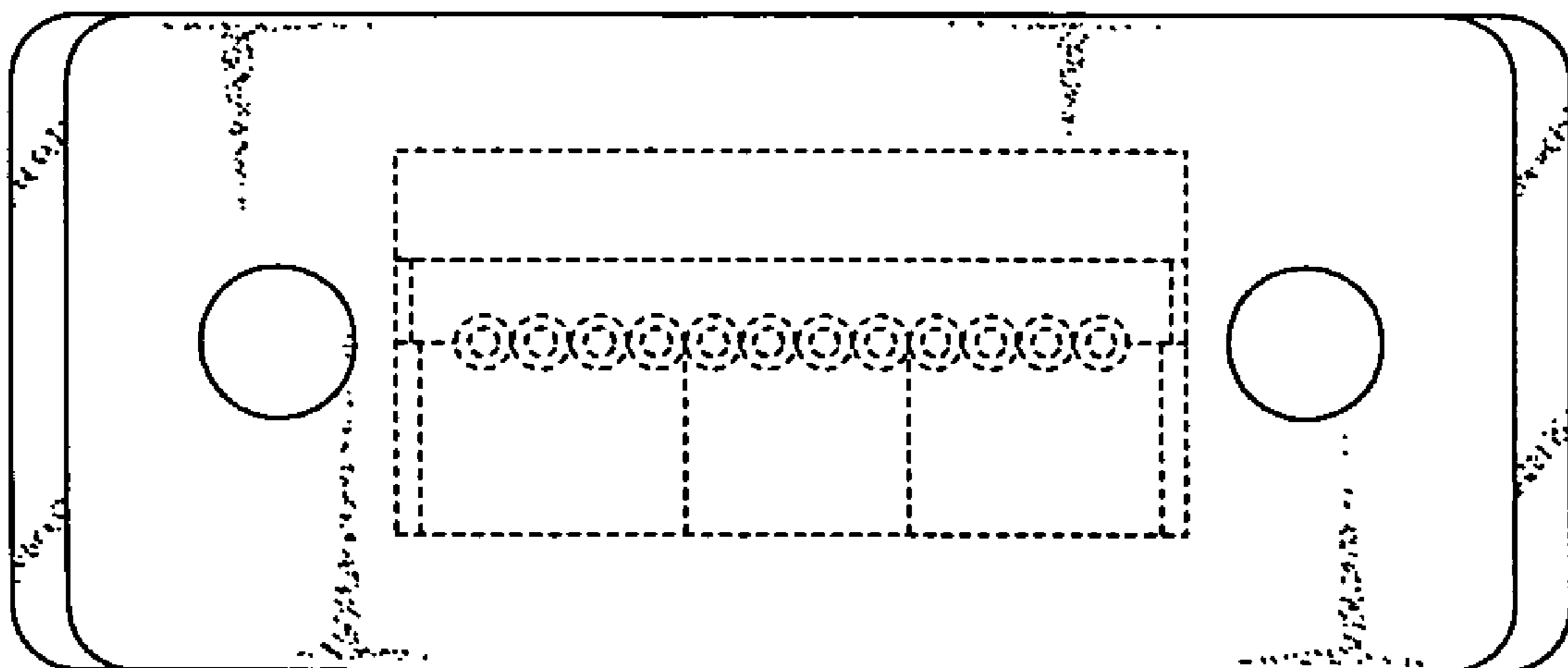


FIG. 8

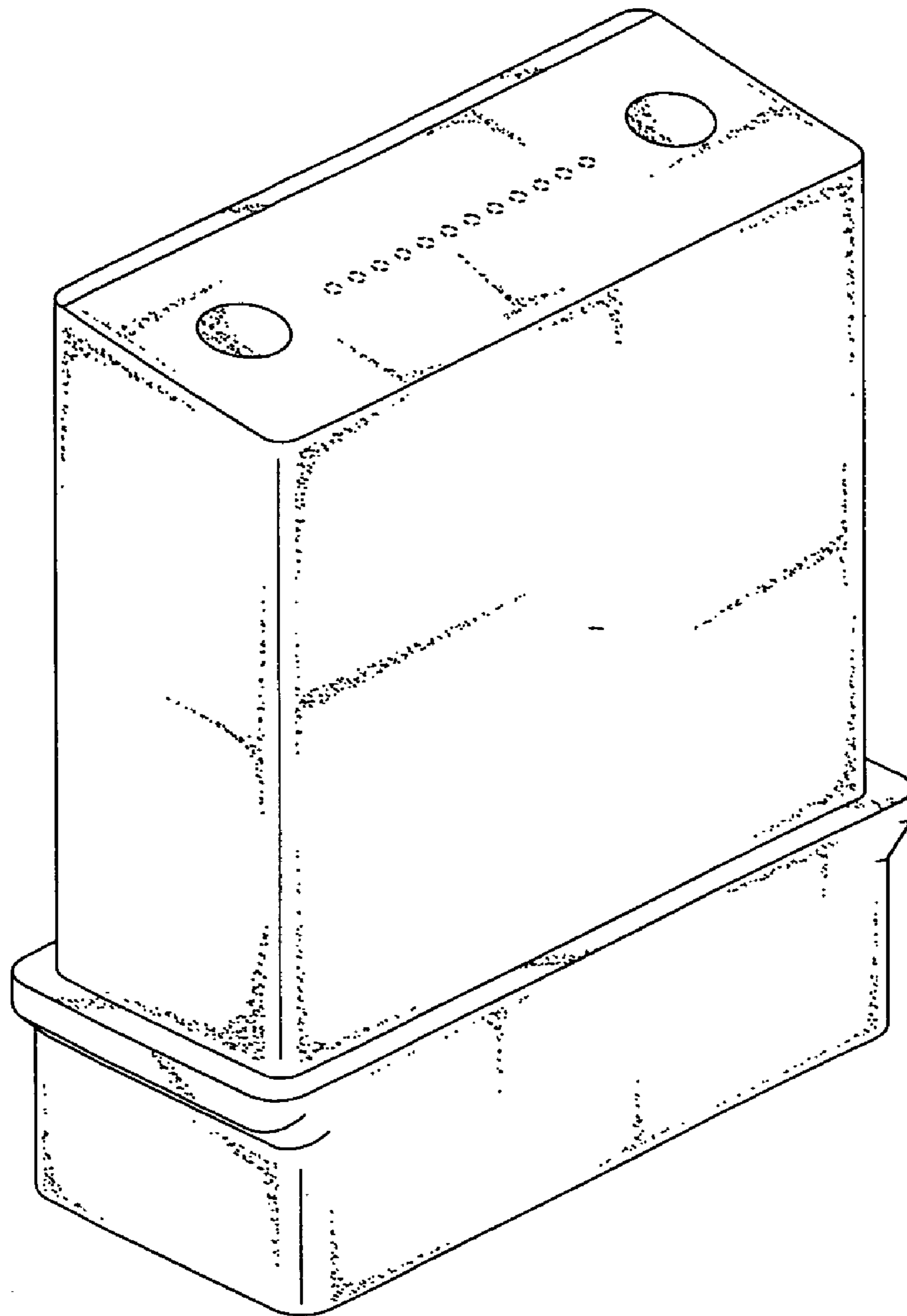


FIG. 9

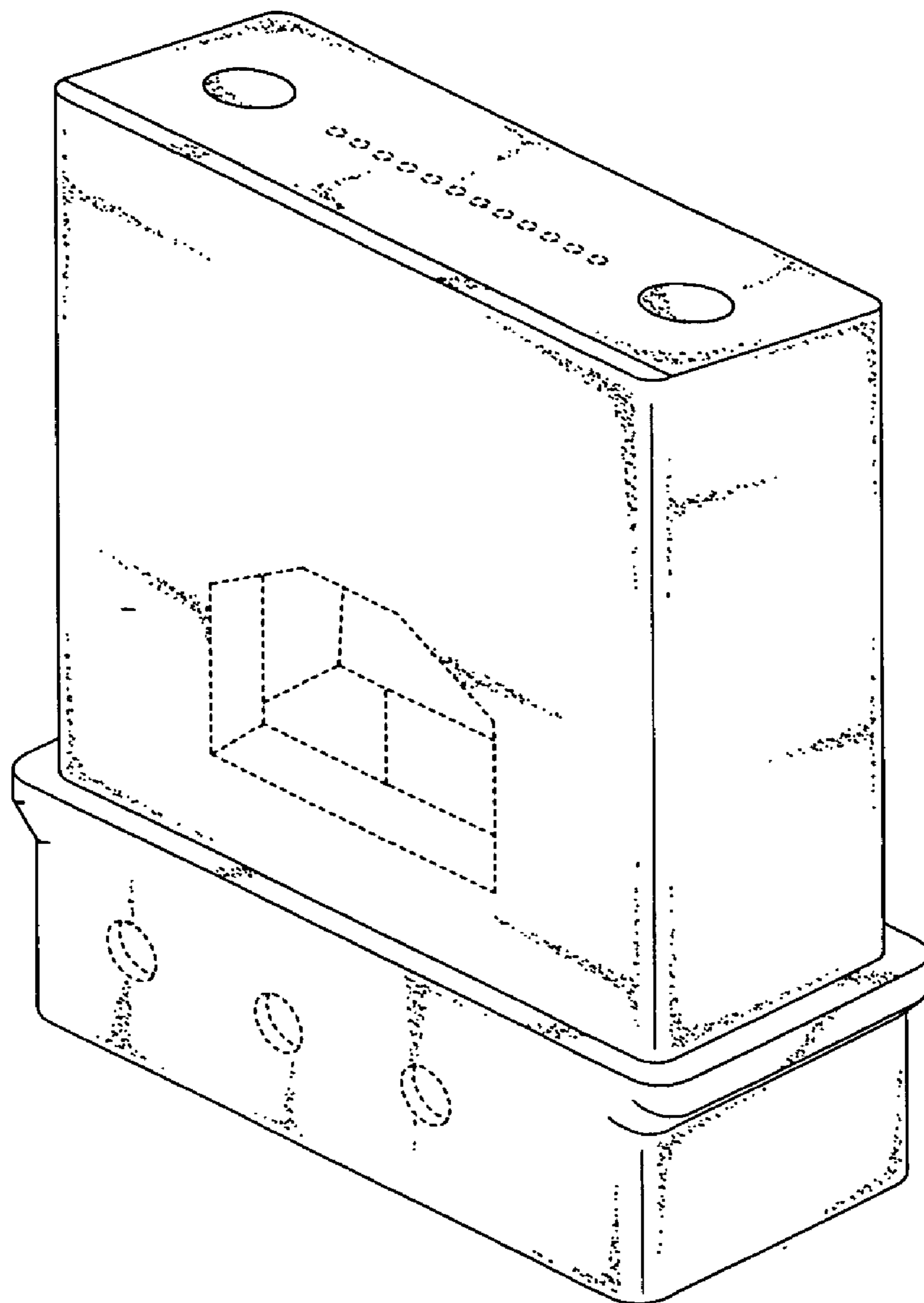


FIG. 10

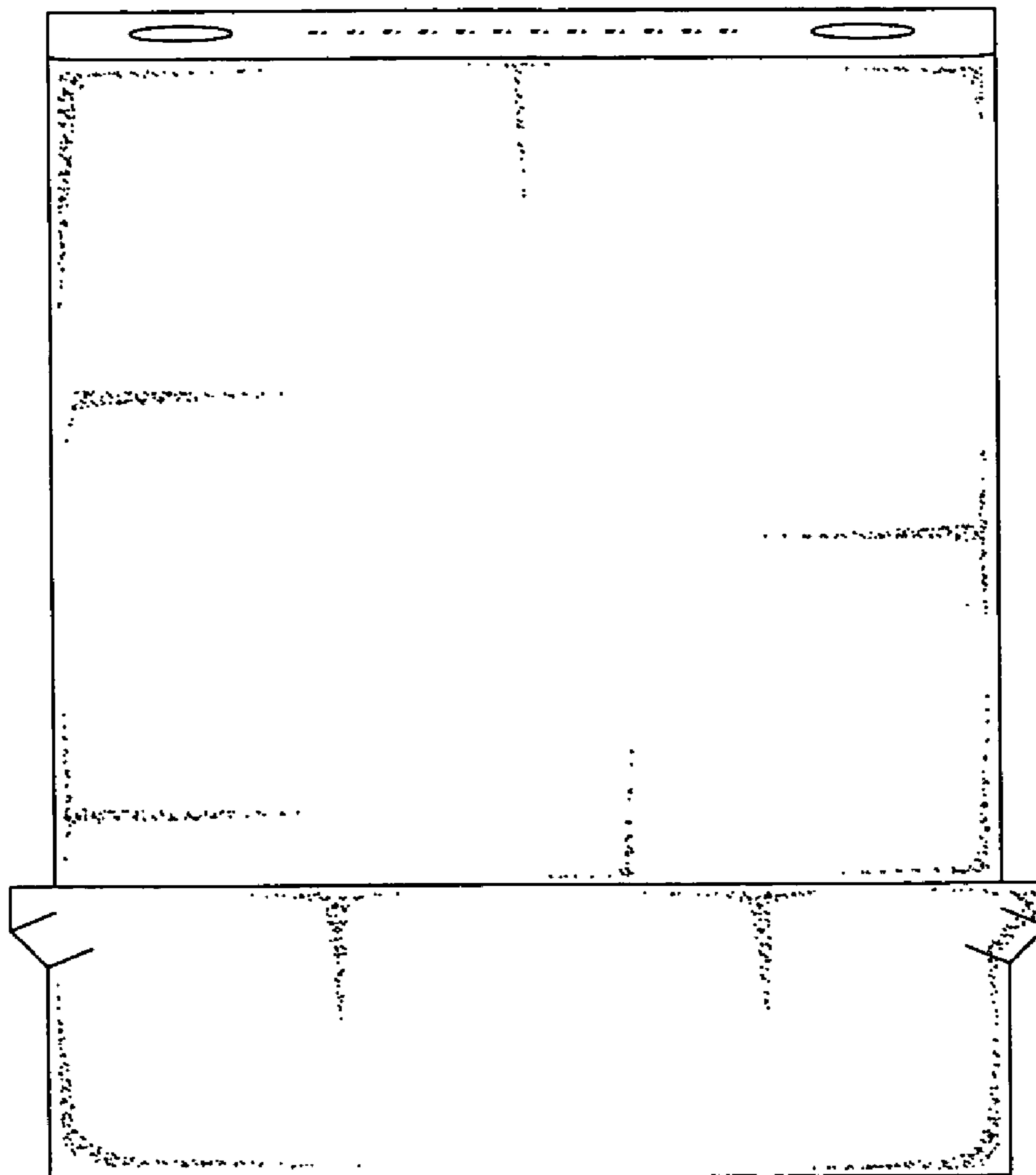


FIG. 11

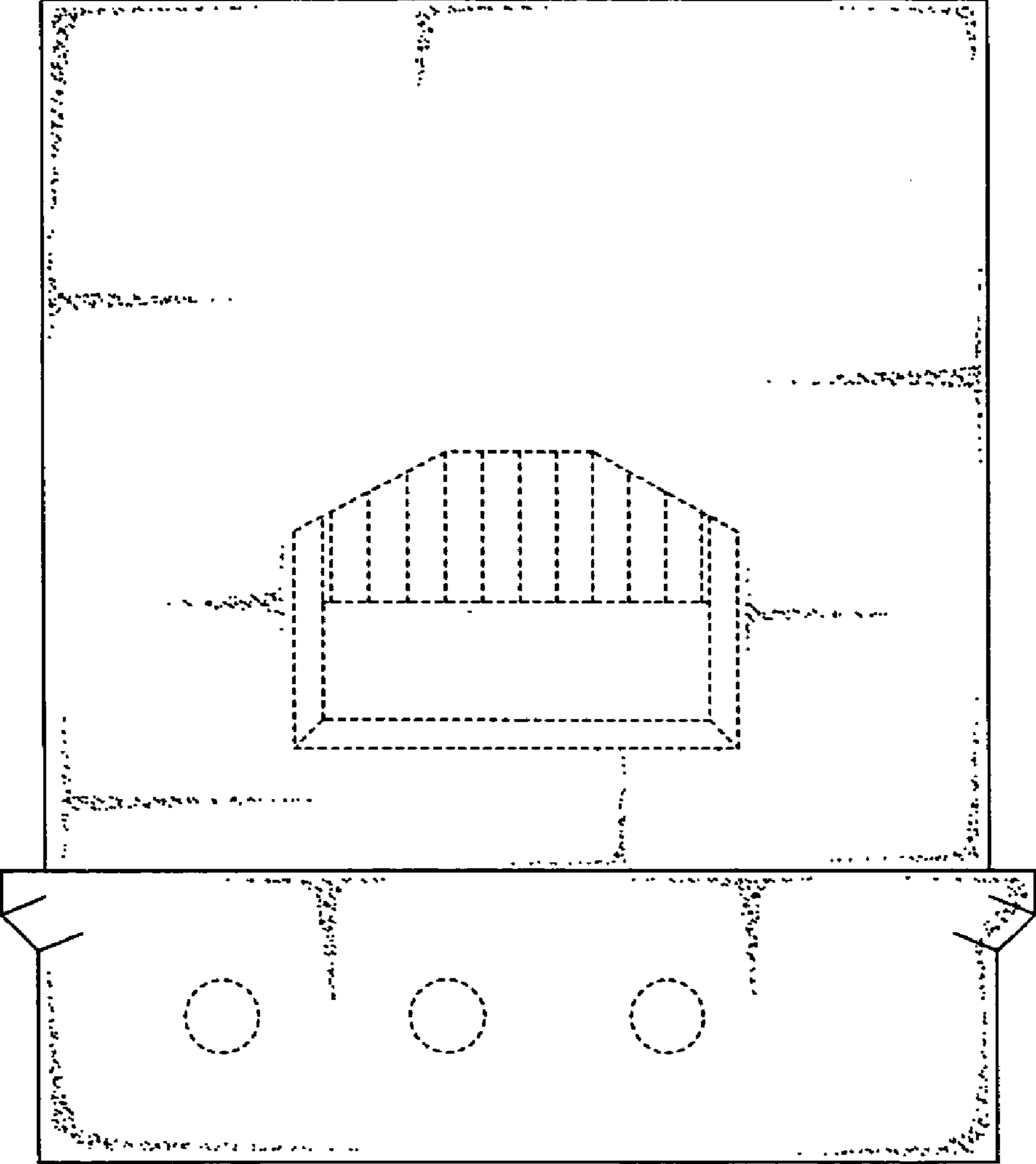


FIG. 12

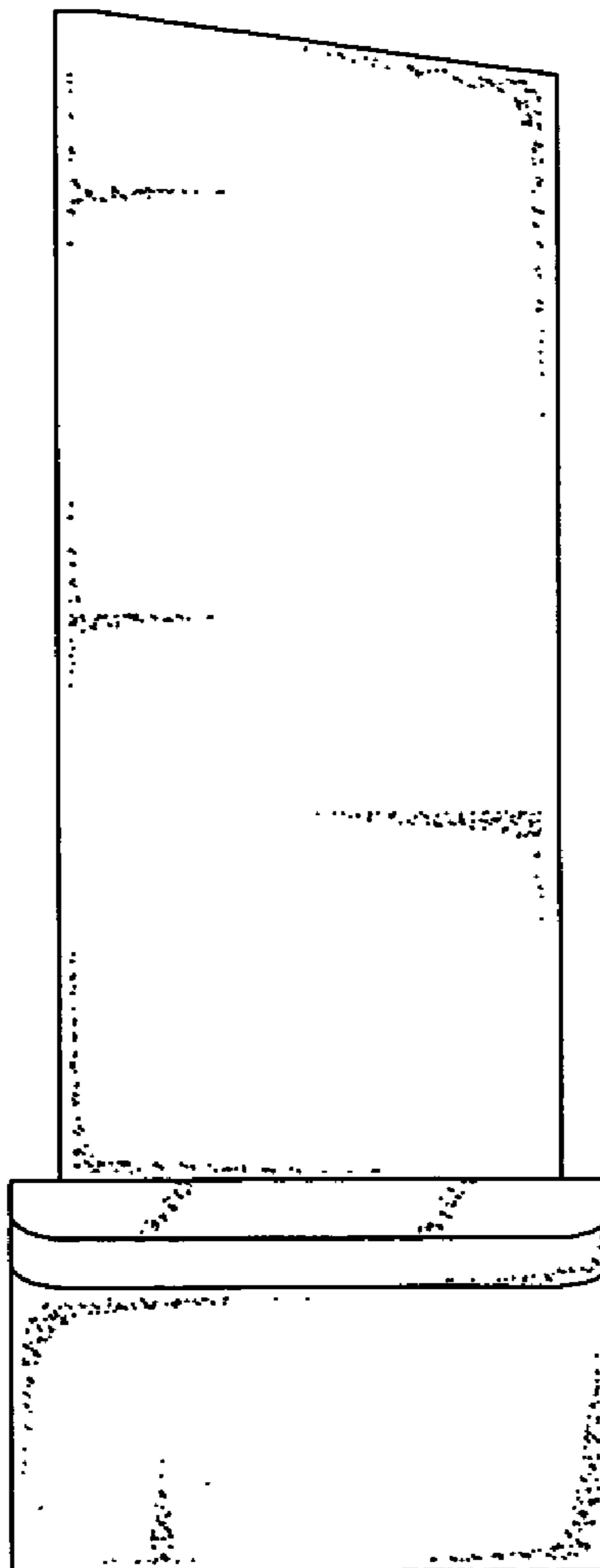


FIG. 13

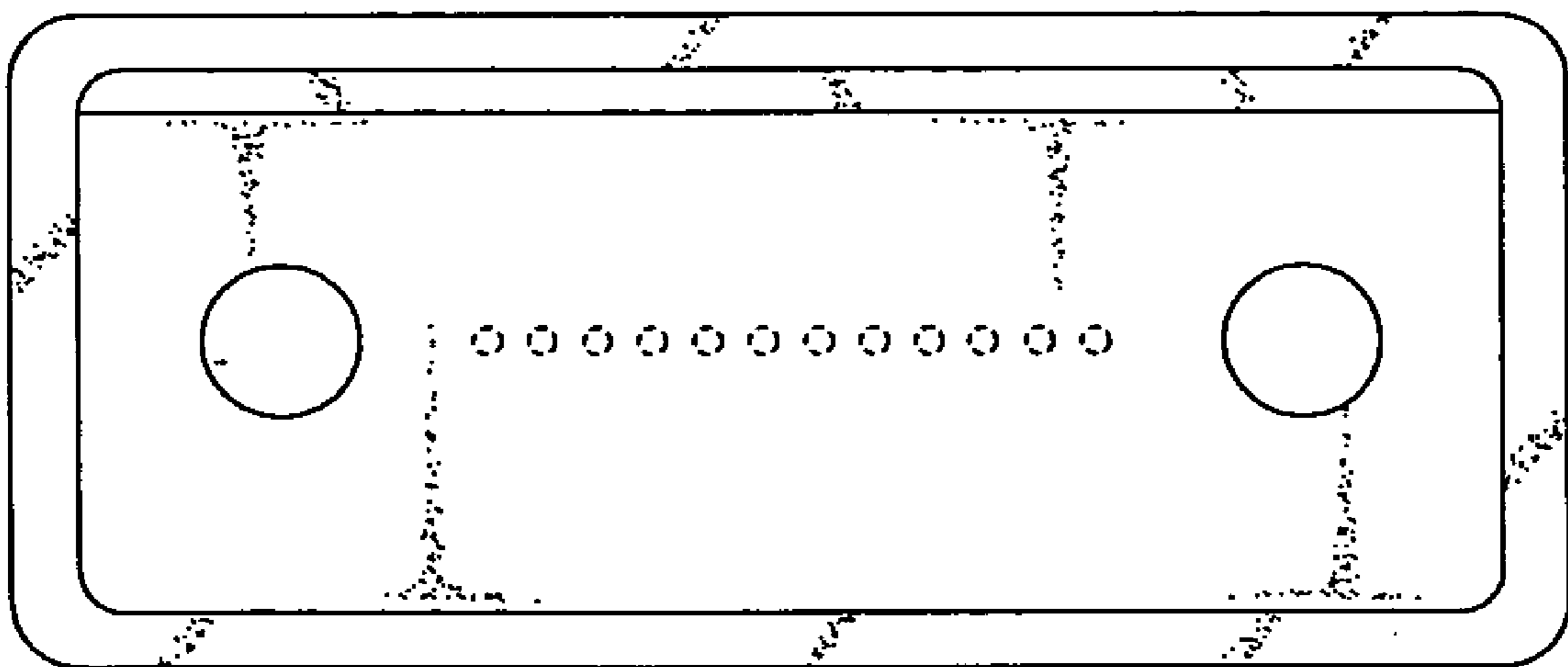


FIG. 14

