



US00D611415S

(12) **United States Design Patent**
Andre et al.

(10) **Patent No.:** **US D611,415 S**
(45) **Date of Patent:** **** Mar. 9, 2010**

(54) **POWER MODULE**

(75) Inventors: **Bartley K. Andre**, Menlo Park, CA (US); **Daniel J. Coster**, San Francisco, CA (US); **Daniele De Iuliis**, San Francisco, CA (US); **Evans Hankey**, San Francisco, CA (US); **Richard P. Howarth**, San Francisco, CA (US); **Jonathan P. Ive**, San Francisco, CA (US); **Duncan Robert Kerr**, San Francisco, CA (US); **Shin Nishibori**, Portola Valley, CA (US); **Matthew Dean Rohrbach**, San Francisco, CA (US); **Peter Russell-Clarke**, San Francisco, CA (US); **Douglas B. Satzger**, Menlo Park, CA (US); **Christopher J. Stringer**, Woodside, CA (US); **Eugene Antony Whang**, San Francisco, CA (US); **Rico Zorkendorfer**, San Francisco, CA (US)

(73) Assignee: **Apple Inc.**, Cupertino, CA (US)

(**) Term: **14 Years**

(21) Appl. No.: **29/319,237**

(22) Filed: **Jun. 5, 2008**

(51) **LOC (9) Cl.** **13-03**

(52) **U.S. Cl.** **D13/138.1; D13/108**

(58) **Field of Classification Search** D13/138.1, D13/138.2, 139.1, 139.2, 139.3, 139.4, 139.5, D13/139.6, 139.7, 139.8, 137.1, 137.2, 137.3, D13/137.4, 133, 107, 108, 110, 123, 146, D13/147, 149, 151, 154; D14/240, 256, D14/217, 433; 174/494, 67, 202, 206, 53, 174/59; 439/35, 222, 249, 919, 909, 171, 439/518, 956, 105, 53, 63, 106, 136, 149, 439/266, 300, 373, 654, 660, 907; 320/111, 320/114; 363/146

See application file for complete search history.

(56) **References Cited**

U.S. PATENT DOCUMENTS

D138,086 S * 6/1944 Ludwig D13/137.2

D375,080 S * 10/1996 Sandor et al. D13/138.2
D405,765 S * 2/1999 Yu D13/160
D436,078 S * 1/2001 Korte D13/134
D503,679 S * 4/2005 Andre et al. D13/110
D521,936 S 5/2006 Novotney et al.
D522,463 S 6/2006 Novotney et al.

(Continued)

OTHER PUBLICATIONS

USB Charger for iPhone 3G, Jun. 12, 2008, <http://ucables.com/ref/USB-CHARGER-IPHONE-3G-R73467>, viewed on Dec. 7, 2009.*
U.S. Appl. No. 29/260,348, filed May 22, 2006, entitled "Accessory Device".
U.S. Appl. No. 29/255,490, filed Mar. 7, 2006, entitled "Connector System".

Primary Examiner—Jennifer Rivard
Assistant Examiner—Angela J Lee
(74) *Attorney, Agent, or Firm*—Sterne, Kessler, Goldstein & Fox P.L.L.C.

(57) **CLAIM**

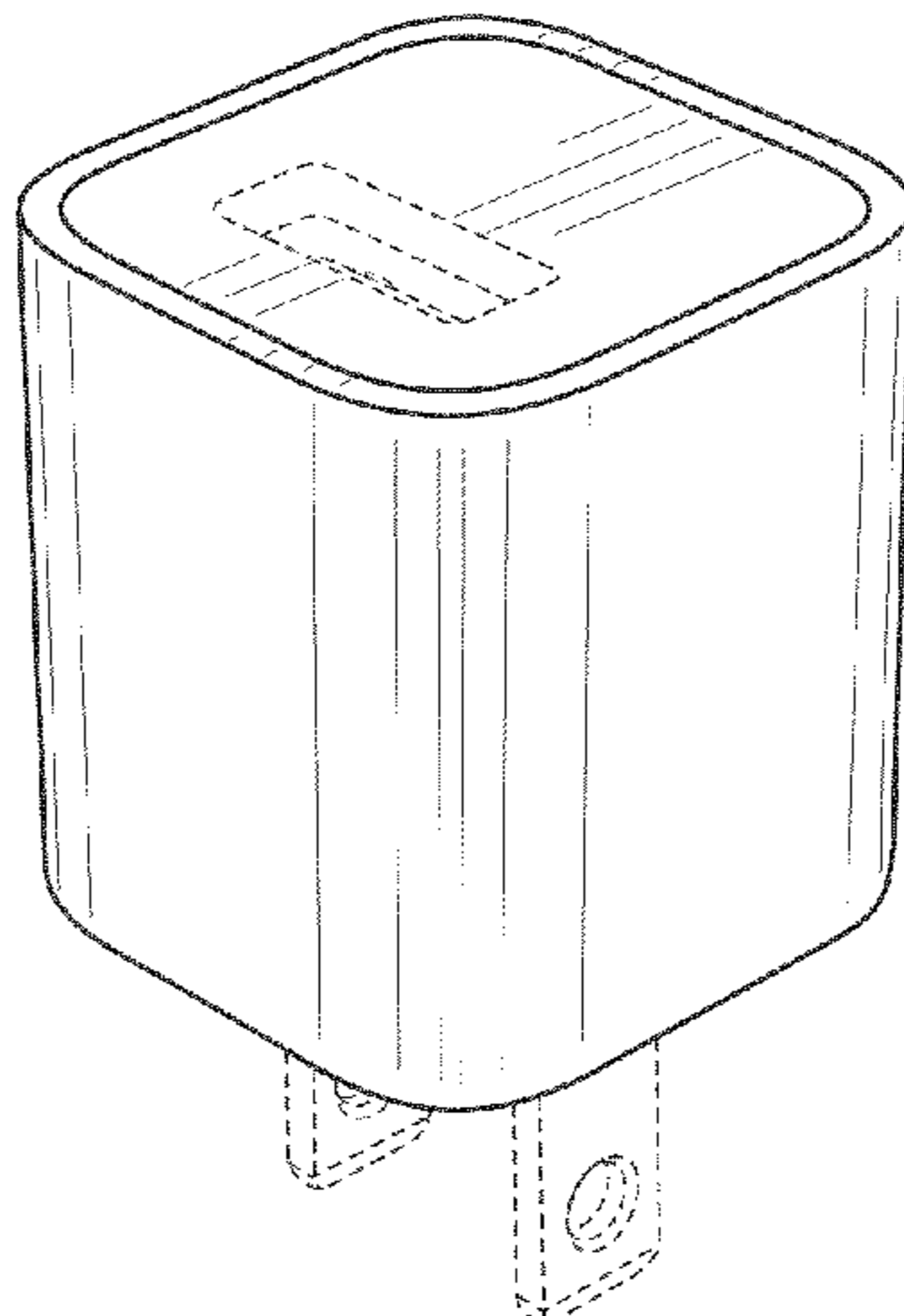
The ornamental design for a power module, as shown and described.

DESCRIPTION

FIG. 1 is a top perspective view of a power module showing our new design;
FIG. 2 is a bottom perspective view thereof;
FIG. 3 is a side view thereof;
FIG. 4 is another side view thereof;
FIG. 5 is another side view thereof;
FIG. 6 is another side view thereof;
FIG. 7 is a bottom plan view thereof; and,
FIG. 8 is a top plan view thereof.

The broken lines showing of portions of the power module are for the purpose of illustrating portions of the power module that form no part of the claimed design.

1 Claim, 2 Drawing Sheets



US D611,415 S

Page 2

U.S. PATENT DOCUMENTS

D552,034 S	10/2007	Hobson et al.	
D572,712 S *	7/2008	Ledbetter et al.	D14/432
D573,946 S *	7/2008	Ledbetter et al.	D13/110
D583,316 S *	12/2008	Sade et al.	D13/108
D587,192 S *	2/2009	McGinley et al.	D13/110
D595,224 S *	6/2009	Seil et al.	D13/110
D596,572 S *	7/2009	Wu et al.	D13/138.1
D601,500 S *	10/2009	Green et al.	D13/110
D601,501 S *	10/2009	Kaibara et al.	D13/110
D602,430 S *	10/2009	Green et al.	D13/110

* cited by examiner

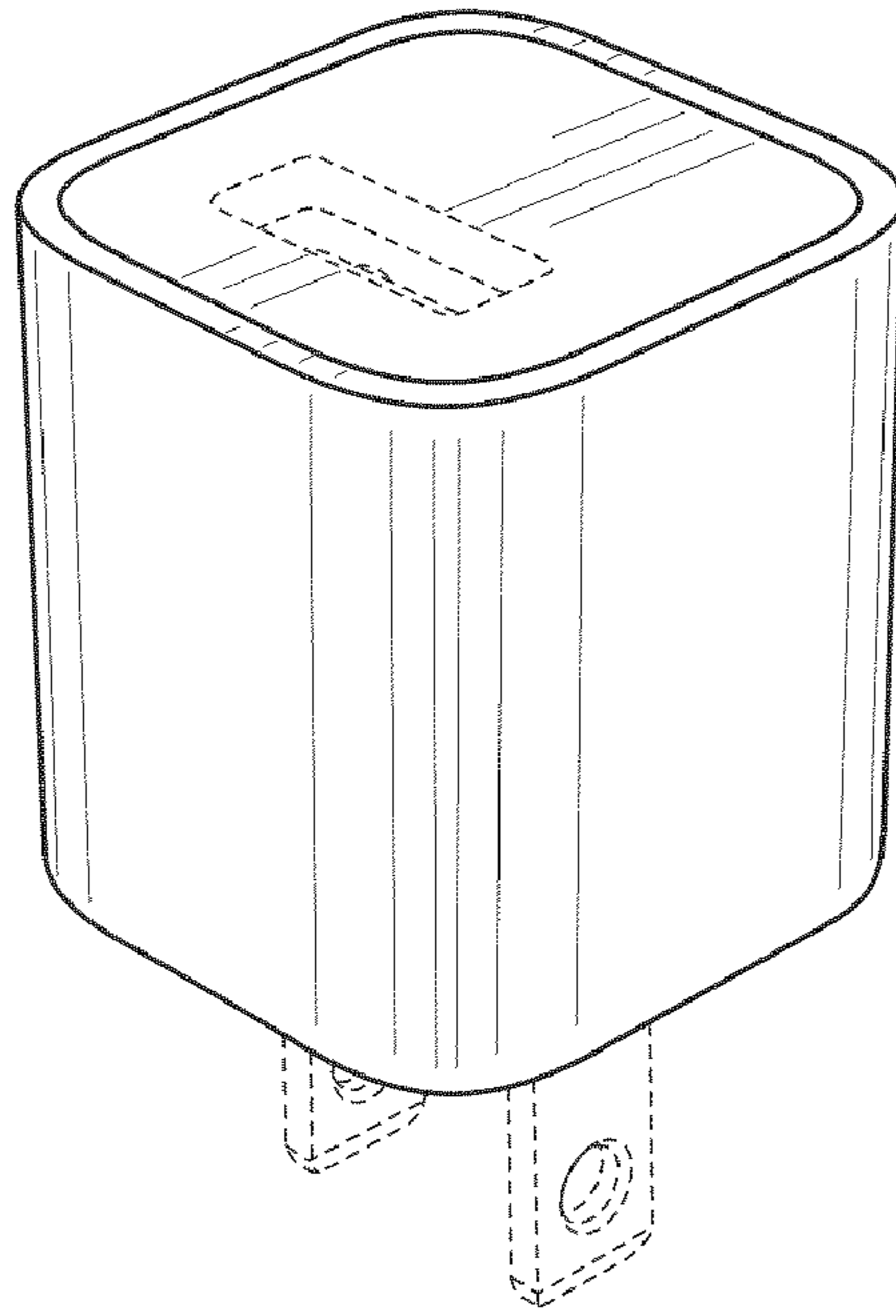


FIG. 1

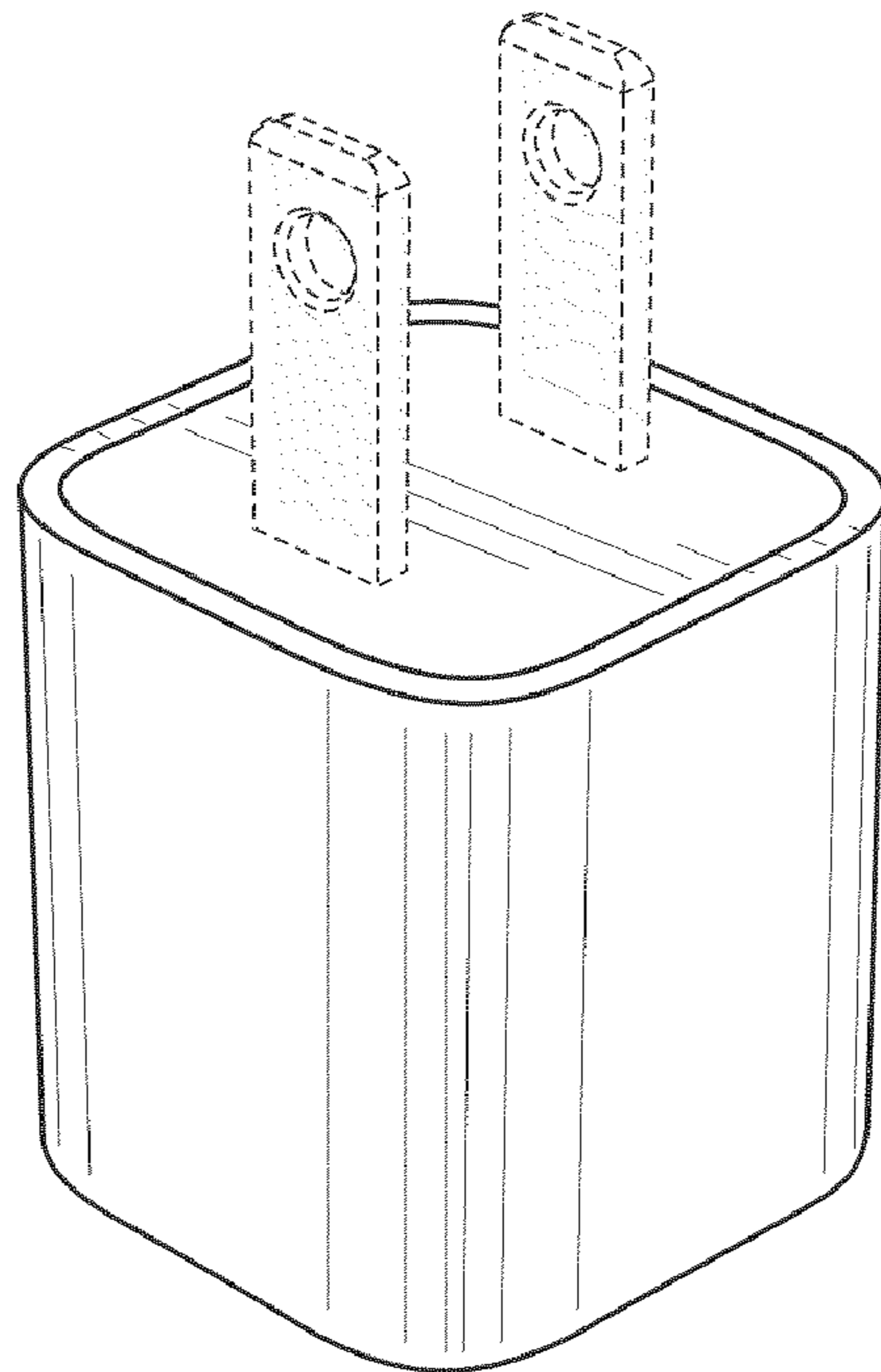


FIG. 2

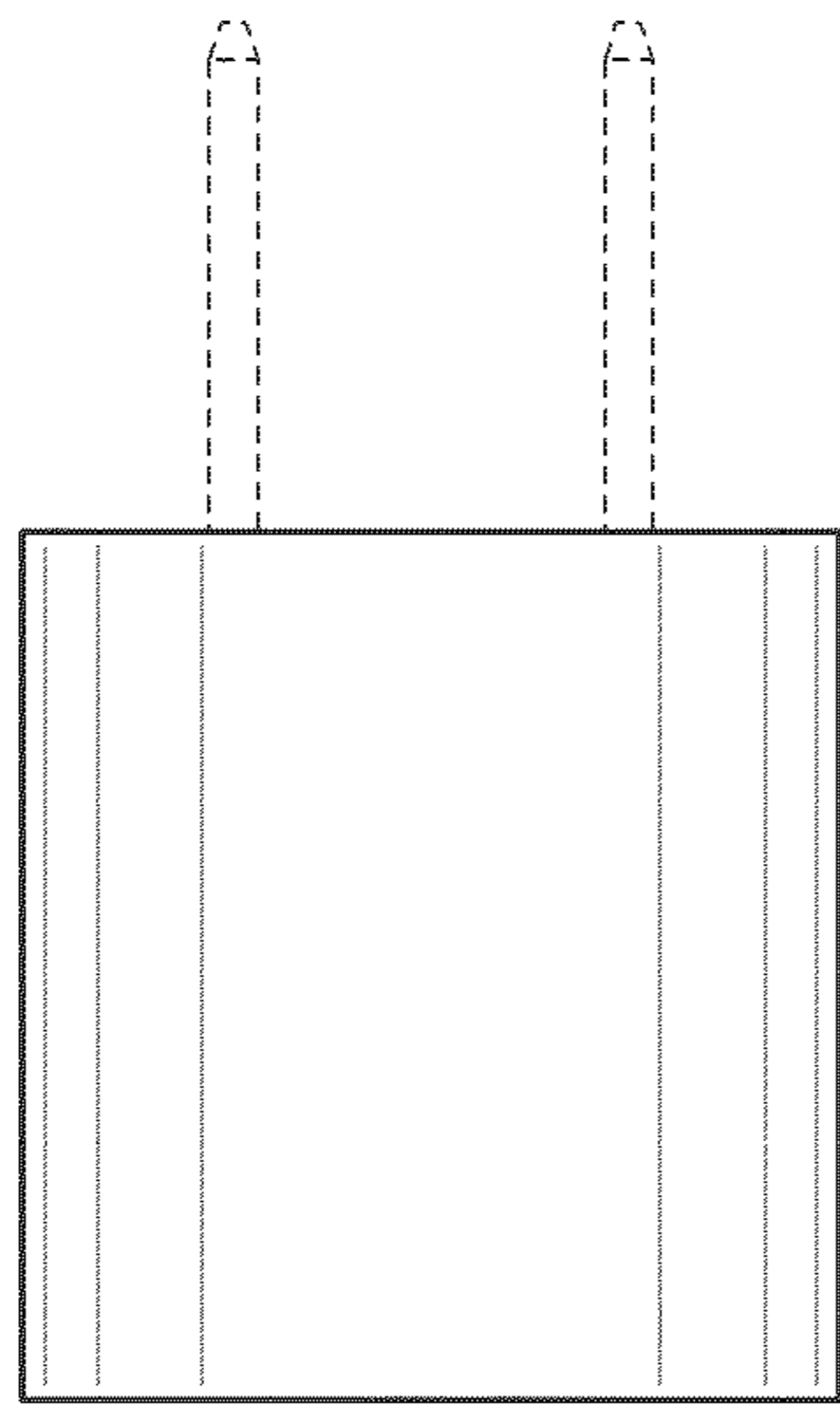


FIG. 3

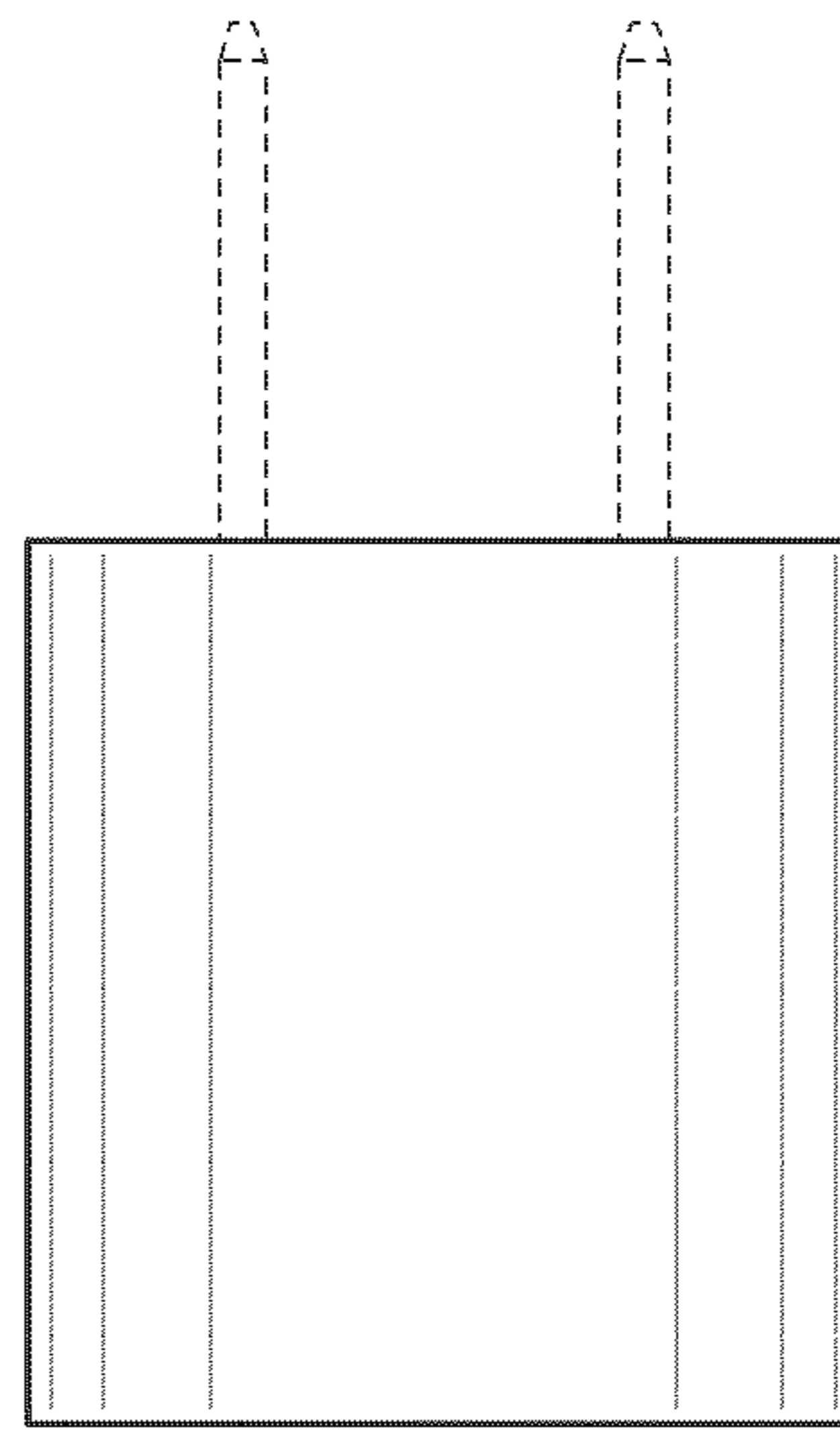


FIG. 4

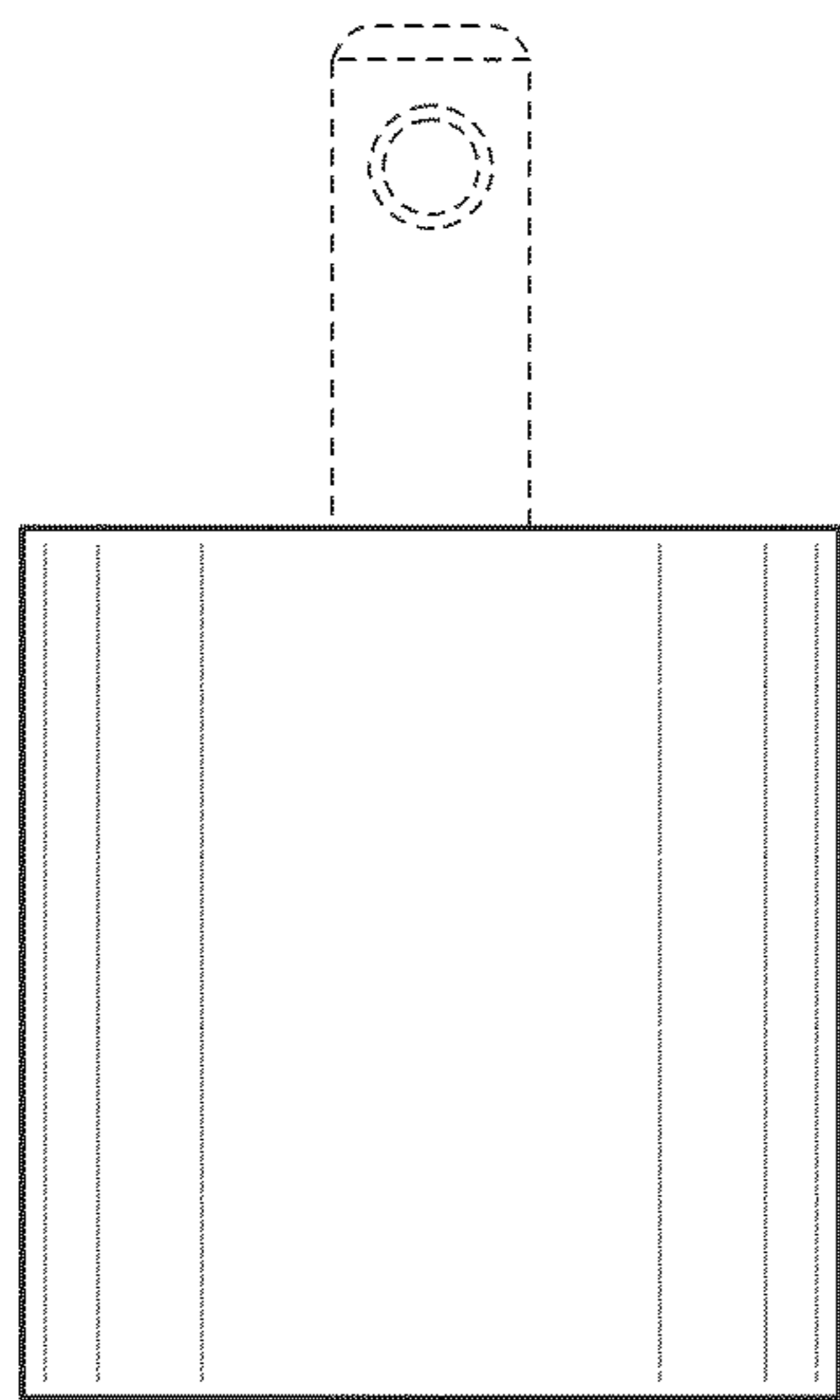


FIG. 5

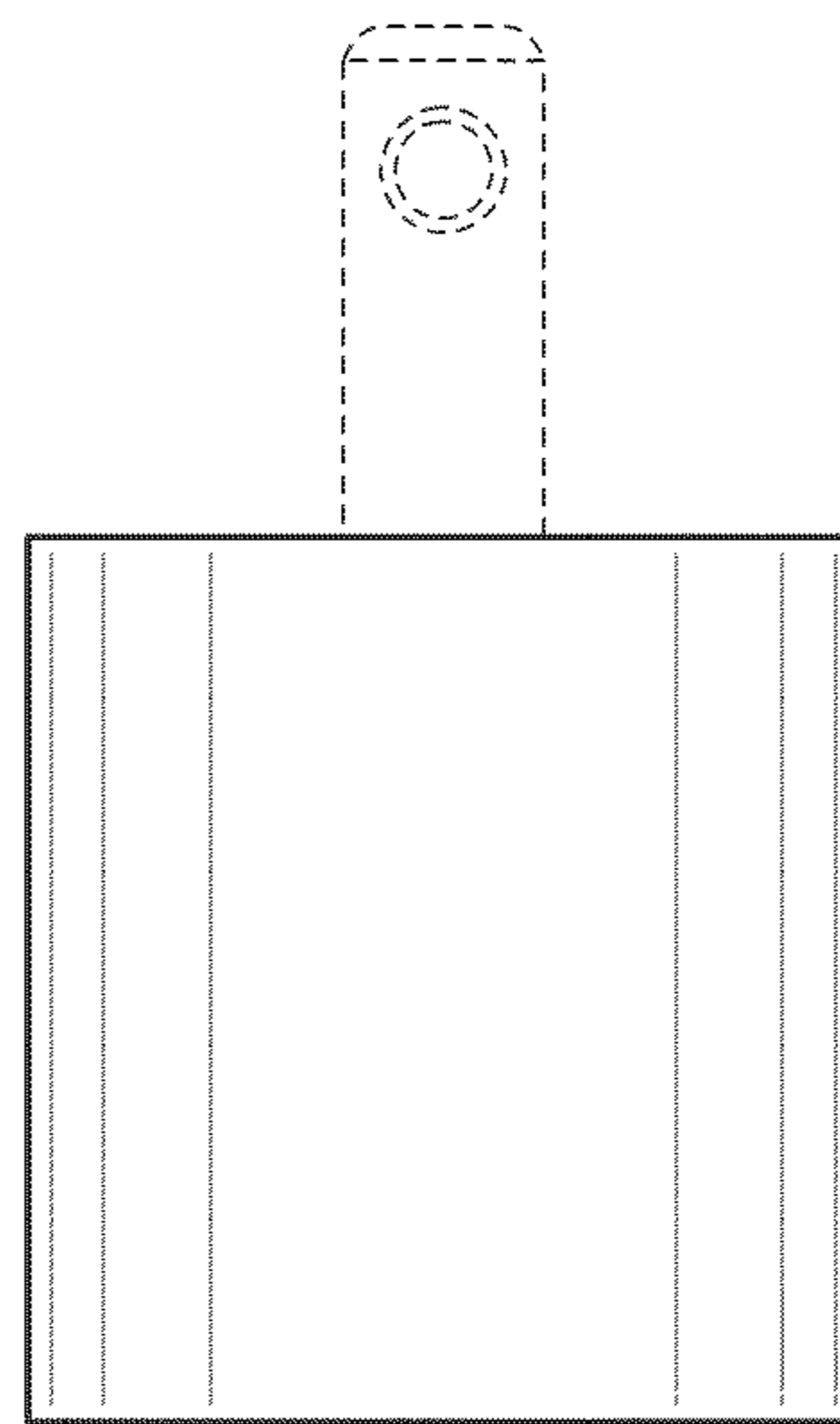


FIG. 6

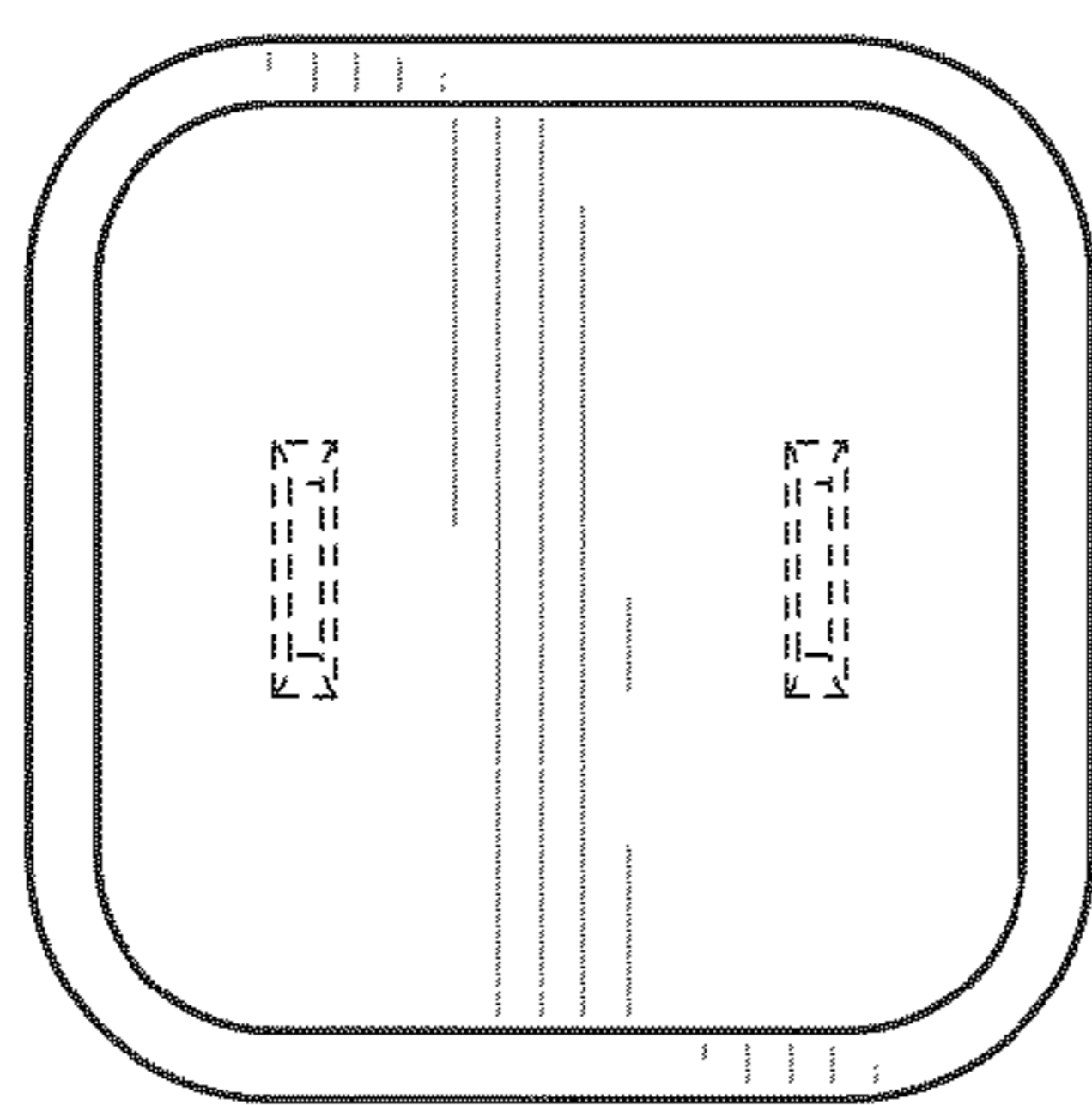


FIG. 7

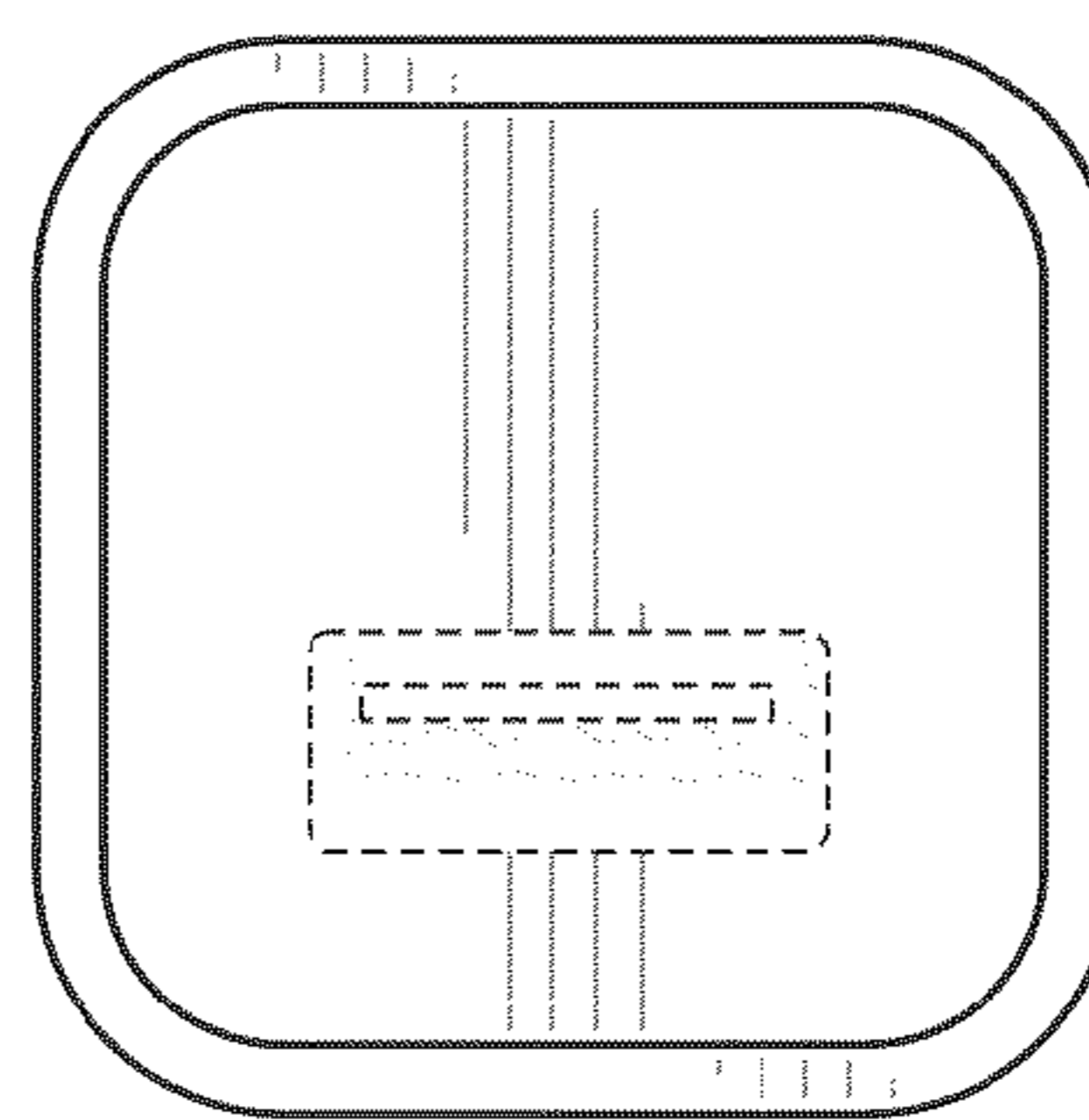


FIG. 8