



US00D611414S

(12) **United States Design Patent**  
**Huang**

(10) **Patent No.:** **US D611,414 S**  
(45) **Date of Patent:** **\*\* Mar. 9, 2010**

(54) **AUDIO JACK CONNECTOR**

(75) Inventor: **Sheng Yuan Huang**, Tu-Cheng (TW)

(73) Assignee: **Cheng Uei Precision Industry Co., Ltd.**, Taipei Hsien (TW)

(\*\*) Term: **14 Years**

(21) Appl. No.: **29/311,807**

(22) Filed: **Jun. 29, 2009**

(51) **LOC (9) Cl.** ..... **13-03**

(52) **U.S. Cl.** ..... **D13/133**

(58) **Field of Classification Search** ..... D13/133,  
D13/146, 147, 154, 184, 199; 439/660, 668,  
439/892, 894

See application file for complete search history.

(56) **References Cited**

**U.S. PATENT DOCUMENTS**

D451,472 S *	12/2001	Suzuki	.....	D13/133
D534,494 S *	1/2007	Li	.....	D13/133
D535,622 S *	1/2007	Zhu et al.	.....	D13/133
D555,098 S *	11/2007	Wu et al.	.....	D13/133
2007/0232150 A1 *	10/2007	Lee	.....	439/668
2008/0299837 A1 *	12/2008	Long et al.	.....	439/676

\* cited by examiner

*Primary Examiner*—Daniel D Bui

*Assistant Examiner*—Thomas J Johannes

(74) *Attorney, Agent, or Firm*—Rosenberg, Klein & Lee

(57) **CLAIM**

The ornamental design for an audio jack connector, as shown and described.

**DESCRIPTION**

FIG. 1 is a perspective view of an audio jack connector showing my new design;

FIG. 2 is a front elevational view thereof;

FIG. 3 is a rear elevational view thereof;

FIG. 4 is a left side elevational view thereof;

FIG. 5 is a right side elevational view thereof;

FIG. 6 is a top plan view thereof;

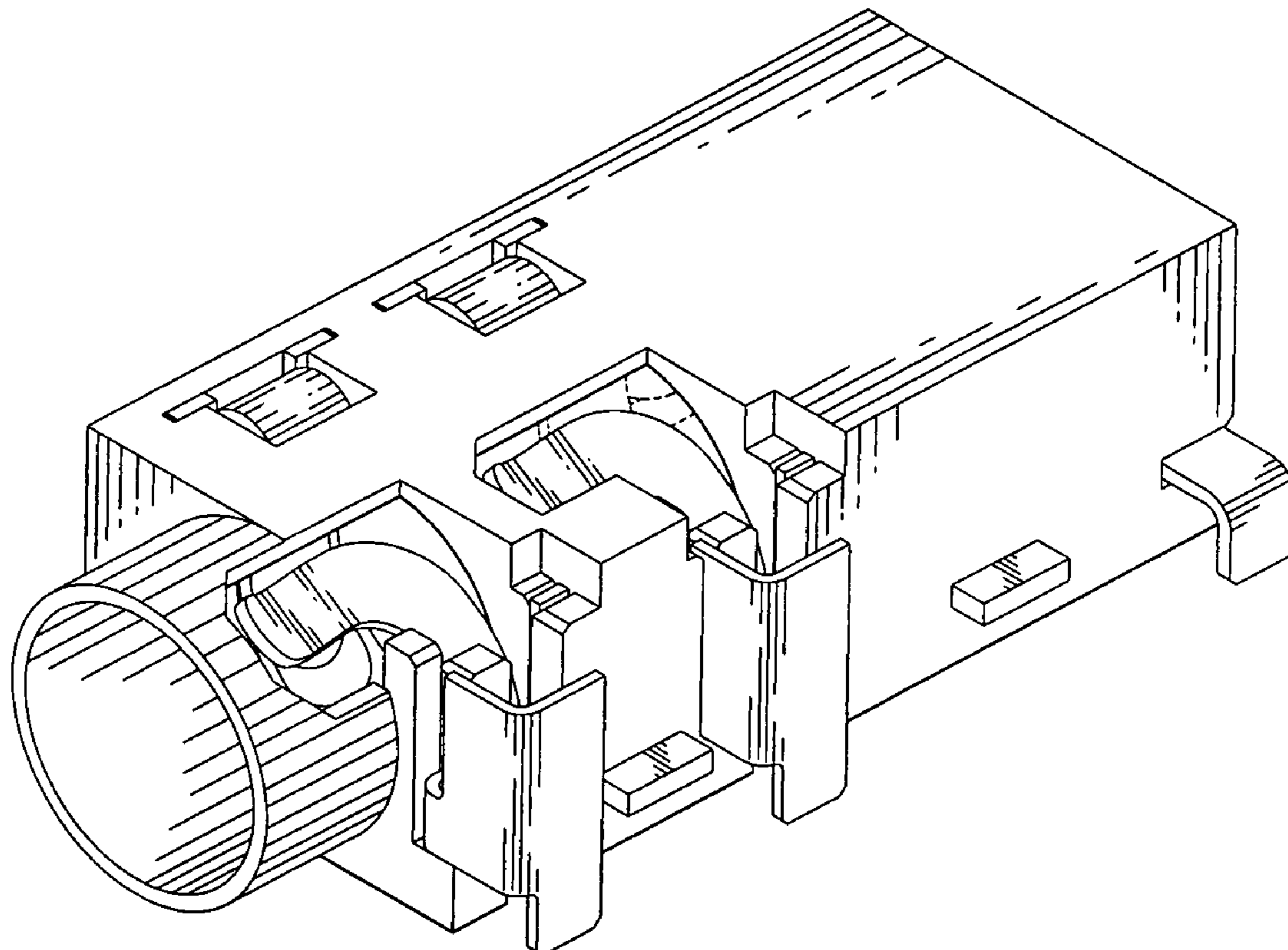
FIG. 7 is a bottom plan view thereof;

FIG. 8 is another perspective view of the audio jack connector showing my new design; and,

FIG. 9 is a third perspective view of the audio jack connector showing my new design.

The broken lines in the Figures are for illustrative purposes and form no part of the claimed design.

**1 Claim, 9 Drawing Sheets**



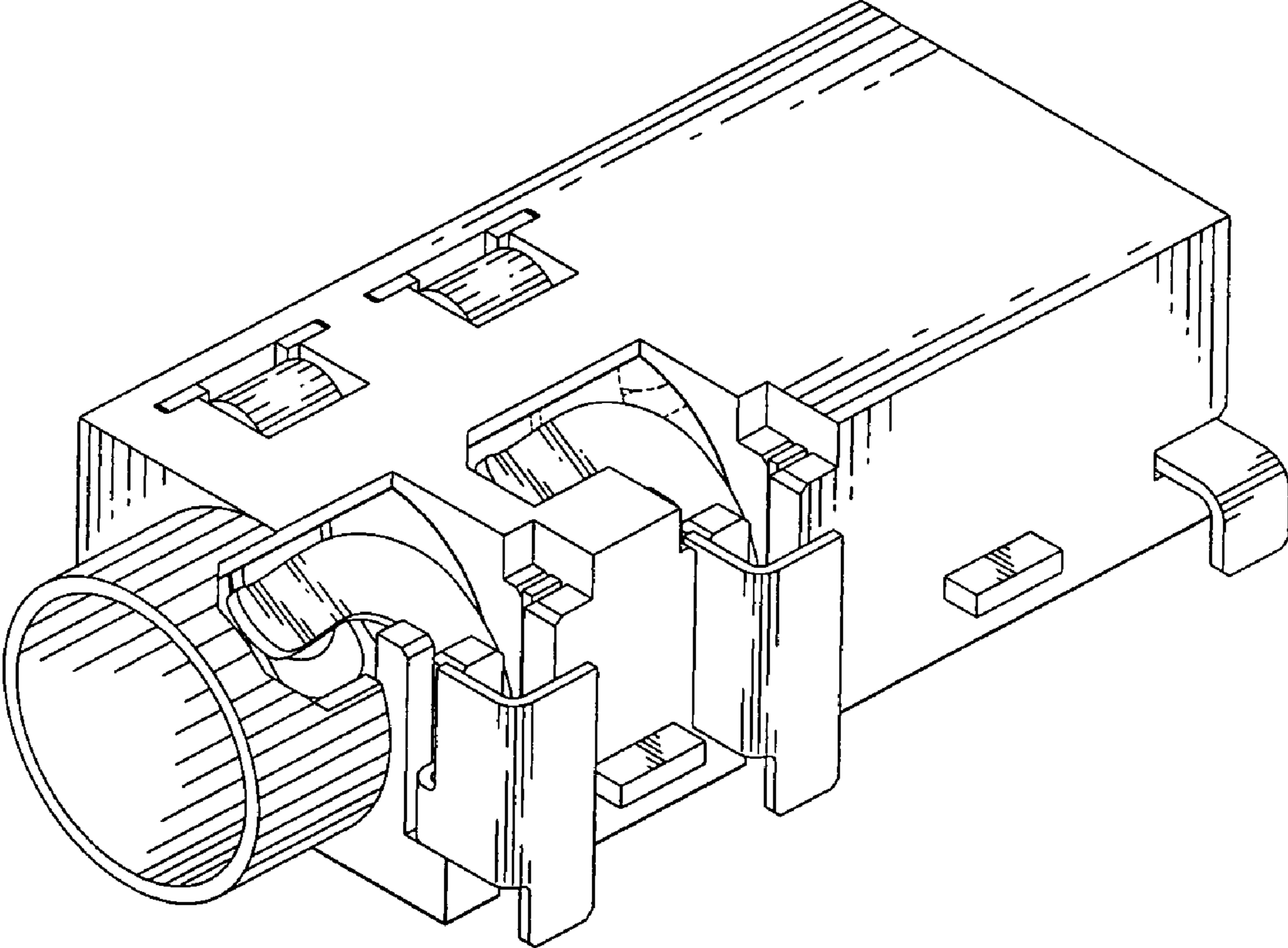


FIG. 1

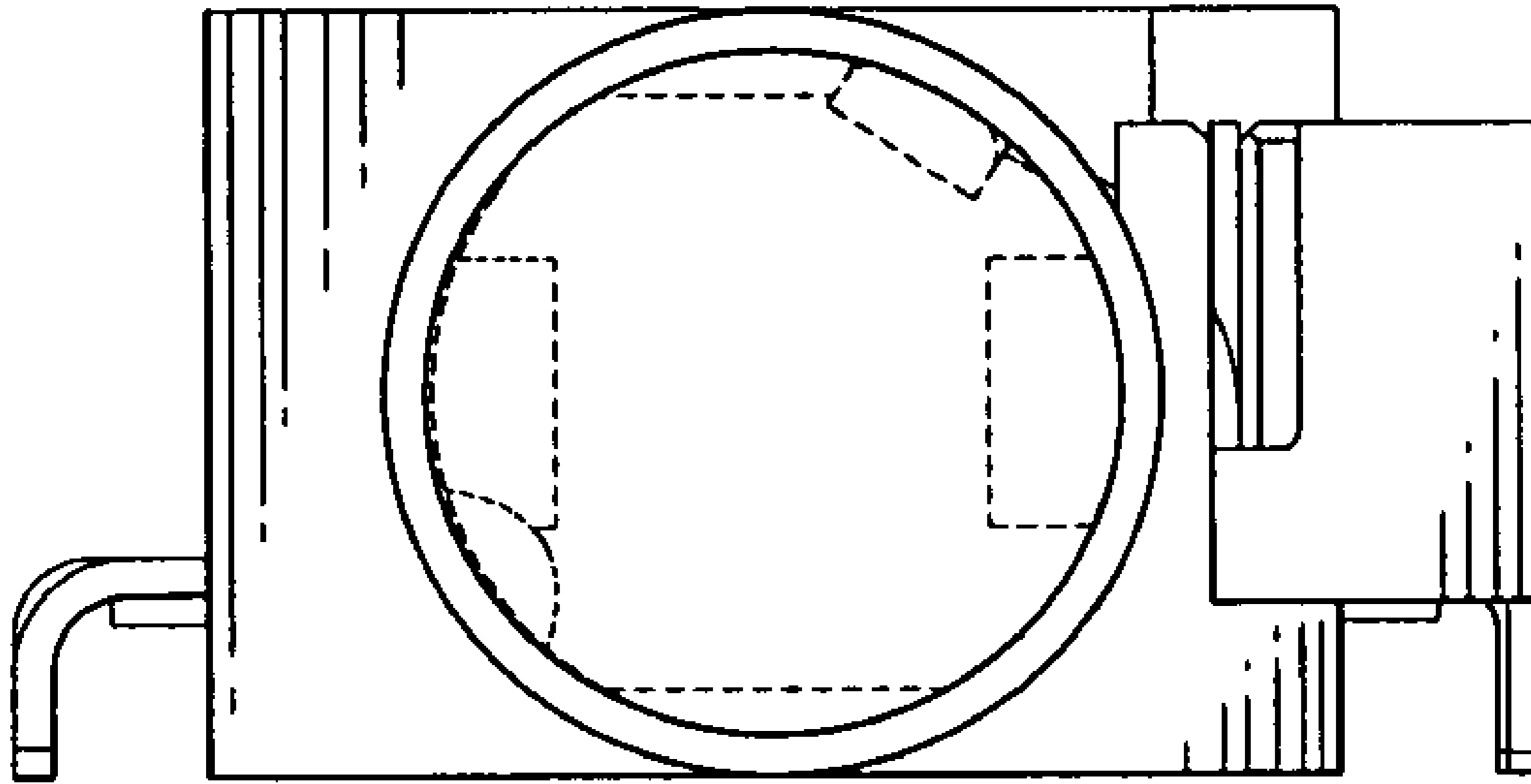


FIG. 2

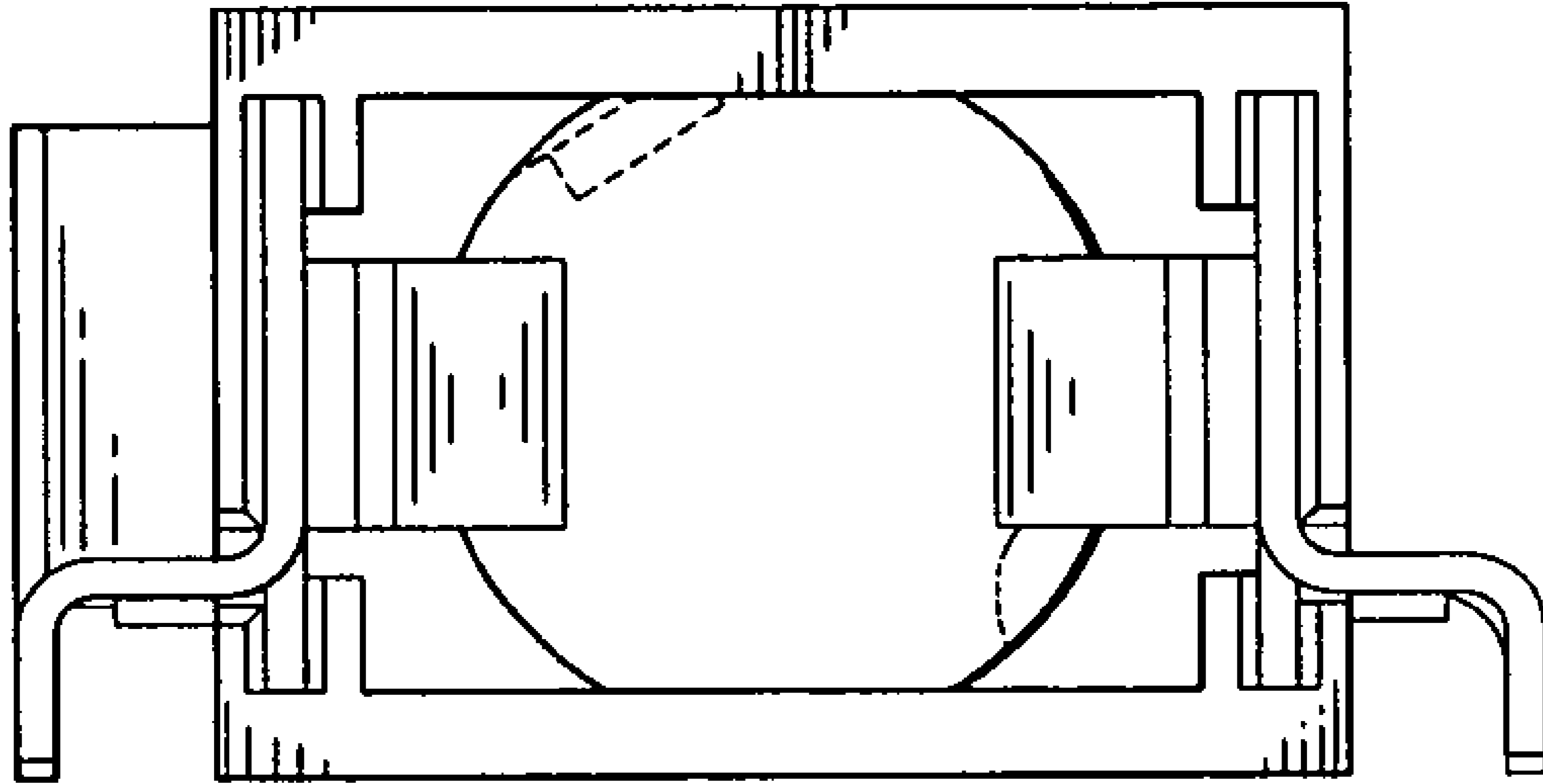


FIG. 3

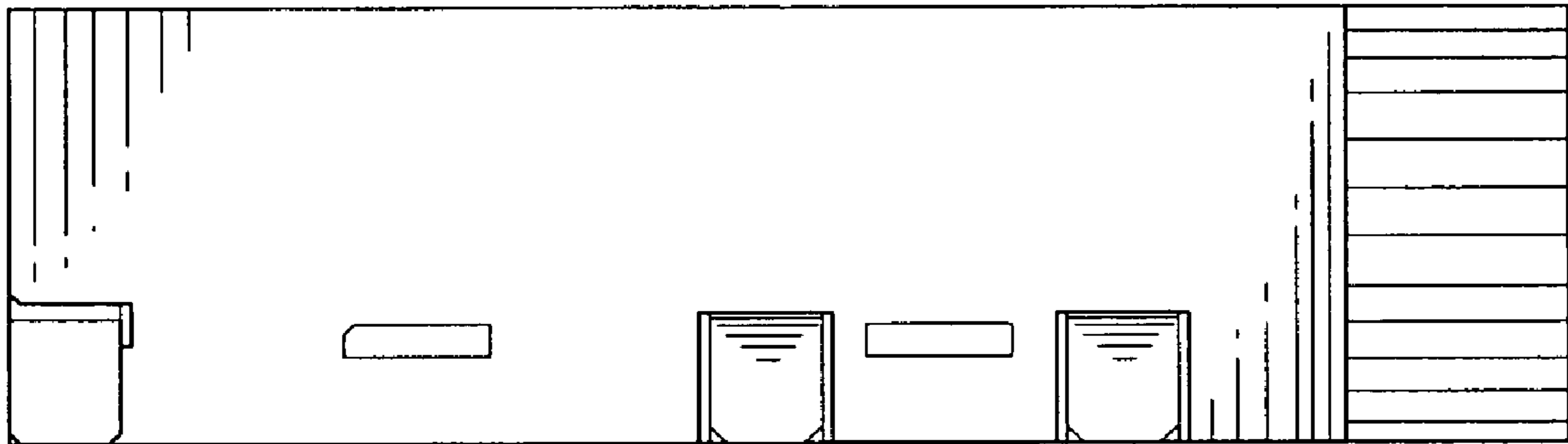


FIG. 4

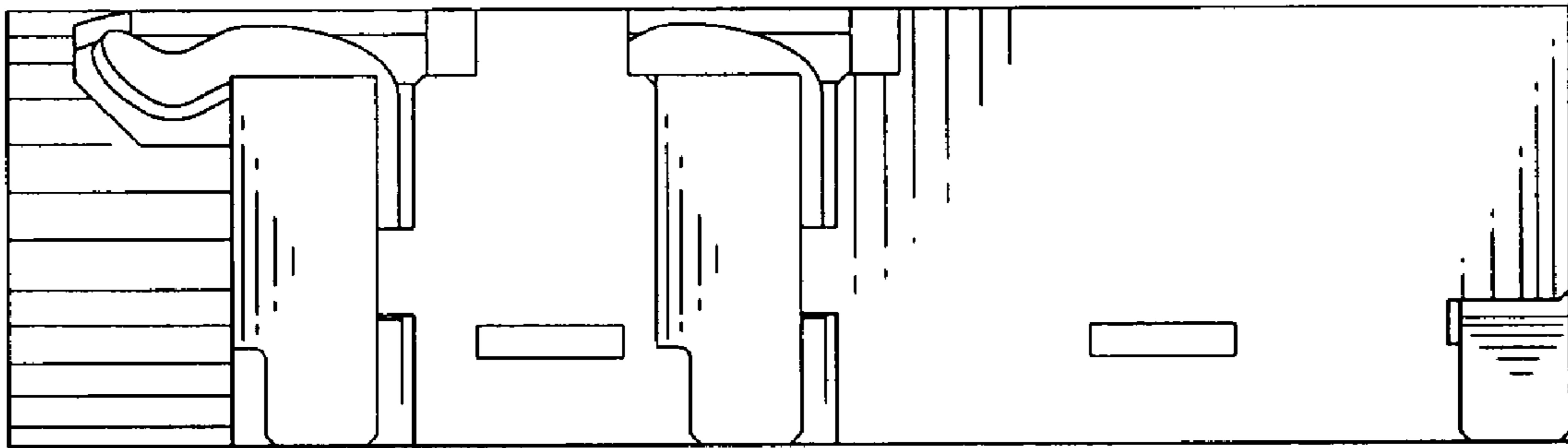


FIG. 5

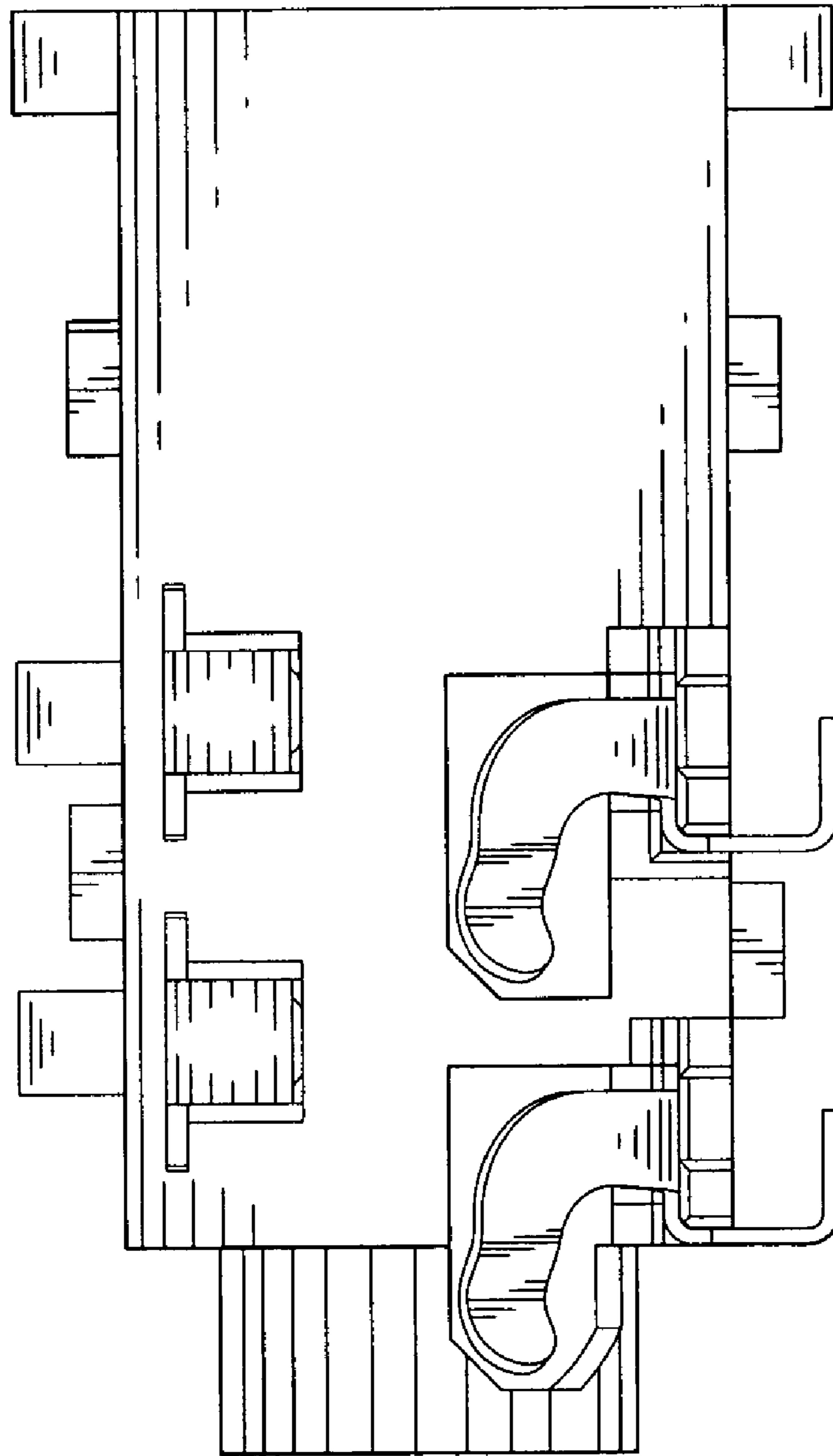


FIG. 6

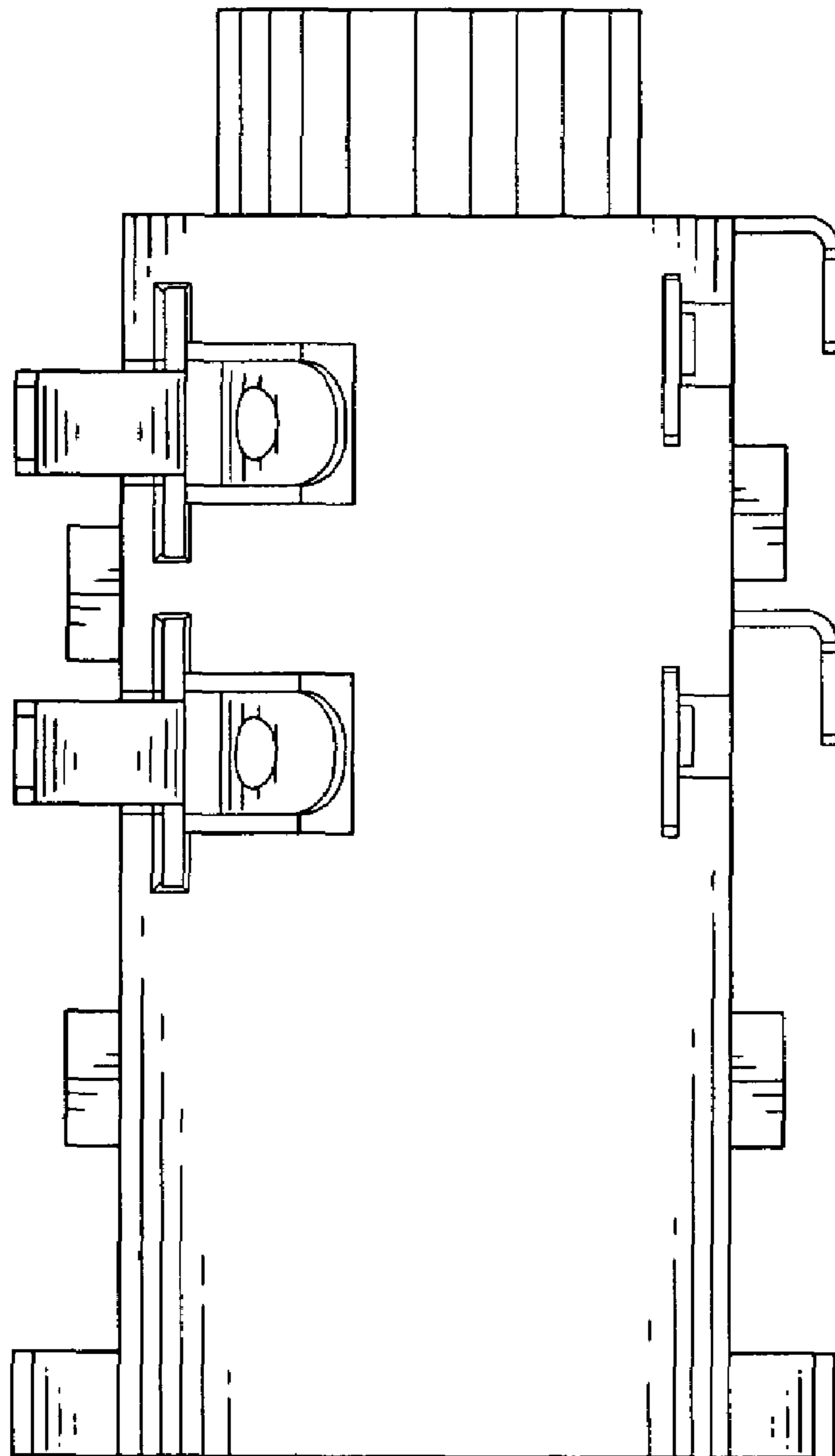


FIG. 7



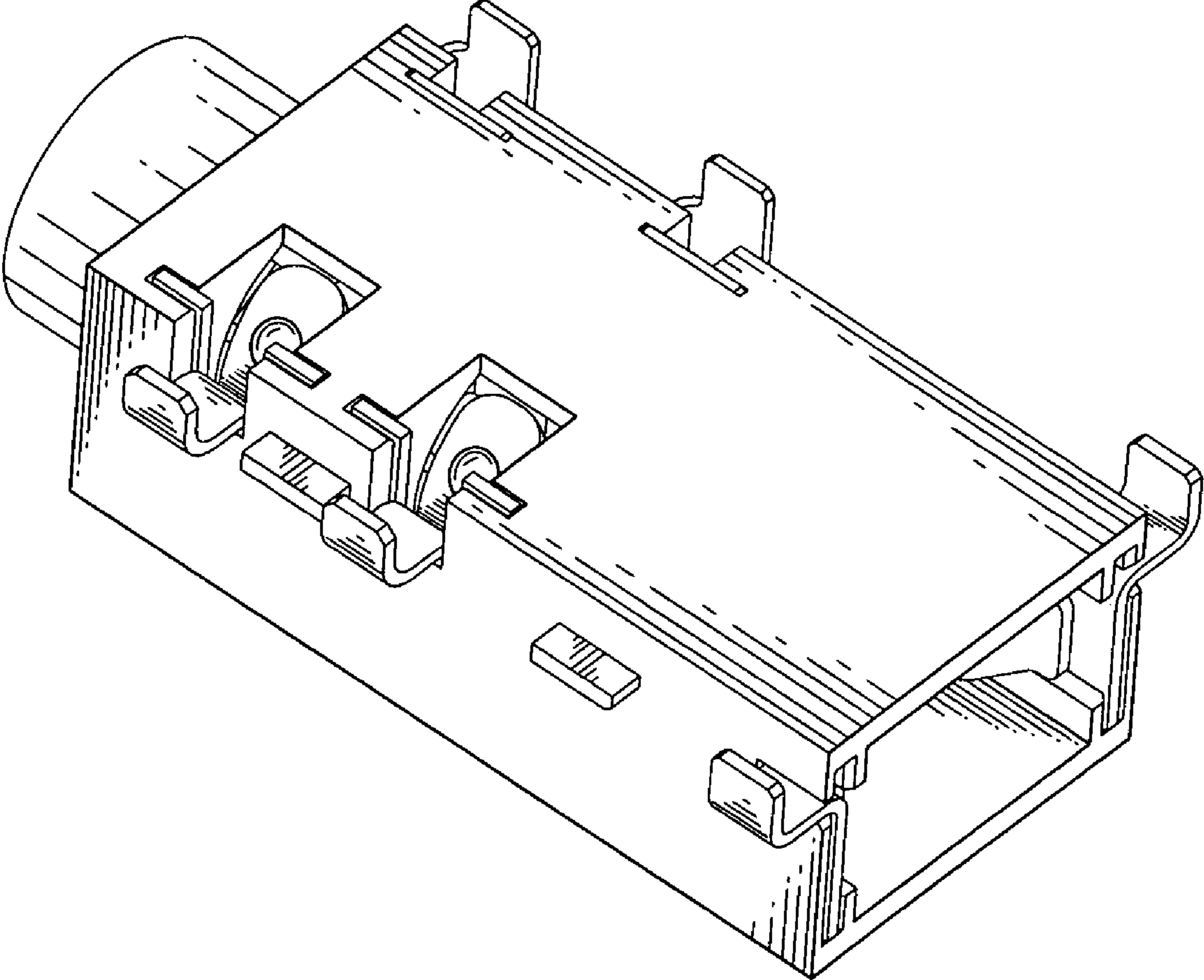


FIG. 8

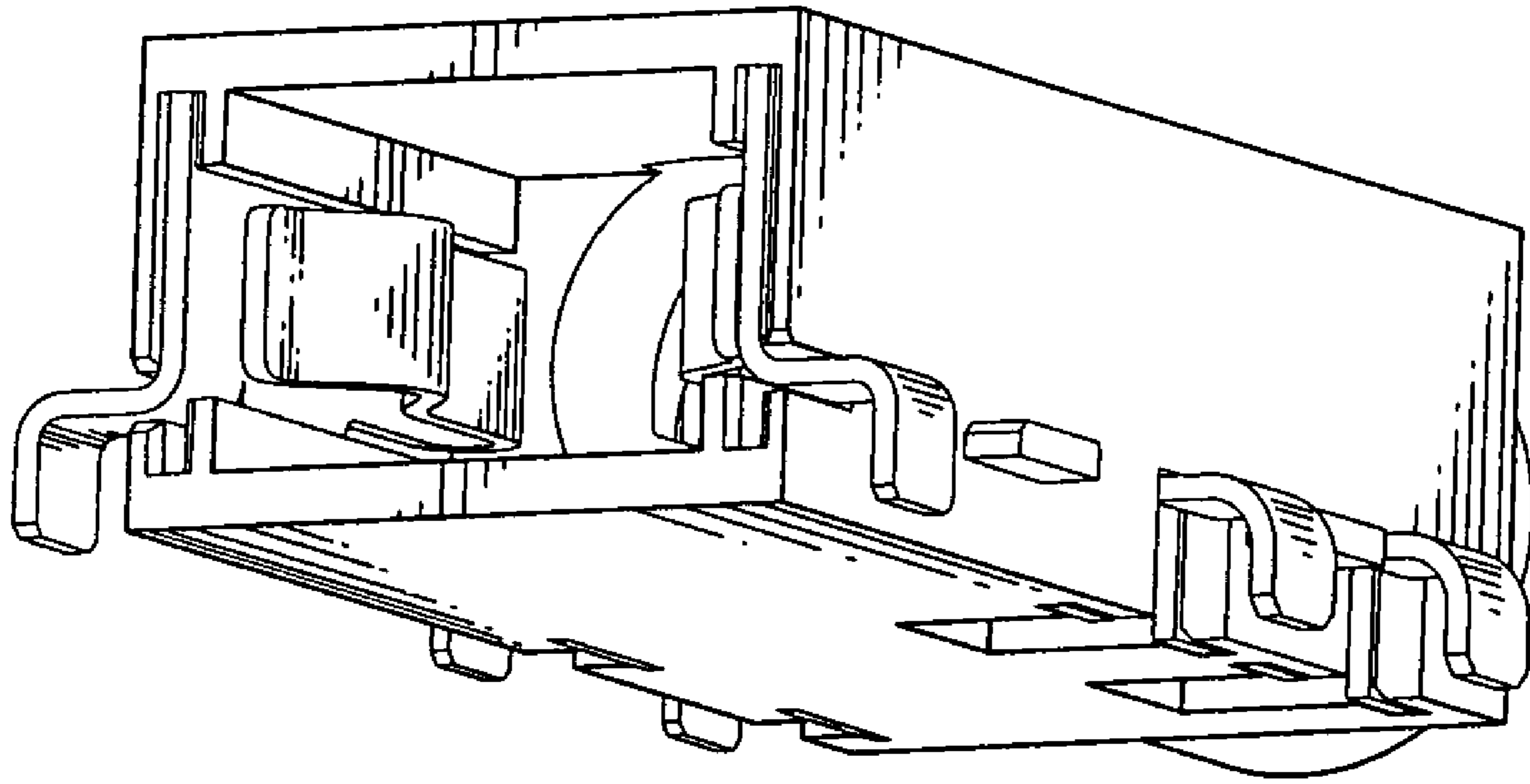


FIG. 9