



US00D611413S

(12) **United States Design Patent**  
**Brockington**

(10) **Patent No.:** **US D611,413 S**

(45) **Date of Patent:** **\*\* Mar. 9, 2010**

(54) **BATTERY HOLD DOWN TRAY**

(75) Inventor: **William T. Brockington**, Kernersville, NC (US)

(73) Assignee: **Camco Manufacturing Inc.**, Greensboro, NC (US)

(\*\*) Term: **14 Years**

(21) Appl. No.: **29/315,348**

(22) Filed: **Jun. 17, 2009**

(51) **LOC (9) Cl.** ..... **13-02**

(52) **U.S. Cl.** ..... **D13/119**

(58) **Field of Classification Search** ..... D13/102-106,  
D13/110, 118-121, 184; D8/354-355, 394;  
429/96-100, 163, 176

See application file for complete search history.

(56) **References Cited**

**U.S. PATENT DOCUMENTS**

1,734,645	A *	11/1929	Polland	.....	180/68.5
D106,423	S *	10/1937	Brodeen	.....	D13/119
D222,804	S *	1/1972	Delzer	.....	D13/119
4,327,809	A	5/1982	Fenstermaker		
4,754,827	A	7/1988	Hirabayashi		
D310,658	S *	9/1990	Balek	.....	D13/119
D311,373	S *	10/1990	Morisse et al.	.....	D13/119
D321,856	S *	11/1991	Whitley et al.	.....	D13/119
5,104,754	A *	4/1992	Dorinski et al.	.....	429/99
7,014,002	B2	3/2006	Mizuta		
D561,097	S *	2/2008	Koeske	.....	D13/119
D588,060	S *	3/2009	Okuda	.....	D13/119

D602,862 S \* 10/2009 Reed et al. .... D13/119

**OTHER PUBLICATIONS**

Ref. No. 1, Battery Holder, package literature, DetMar Corp., Detroit, MI, undated.

Ref. No. 2, photo of Battery Holder (crossbar type) of Ref. No. 1 from DetMar website (www.detmarcorp.com), May 20, 2009.

Ref. No. 3, photo of Battery Holder (strap type) of Ref. No. 1 from DetMar website (www.detmarcorp.com), May 20, 2009.

Ref. No. 4, Battery Hold-Down Tray, package literature, Attwood Corp., Lowell, MI, dated 2004.

Ref. No. 5, Battery Hold-Down Tray, package literature, Tempo Products Co., Cleveland, OH, dated 1998.

\* cited by examiner

*Primary Examiner*—Rosemary K Tarcza

(57) **CLAIM**

The ornamental design for a battery hold down tray, as shown and described.

**DESCRIPTION**

FIG. 1 is a slightly reduced top, right front perspective view of a battery hold down tray showing the design;

FIG. 2 is a slightly reduced bottom, right rear perspective view thereof;

FIG. 3 is a front elevational view thereof;

FIG. 4 is a rear elevational view thereof;

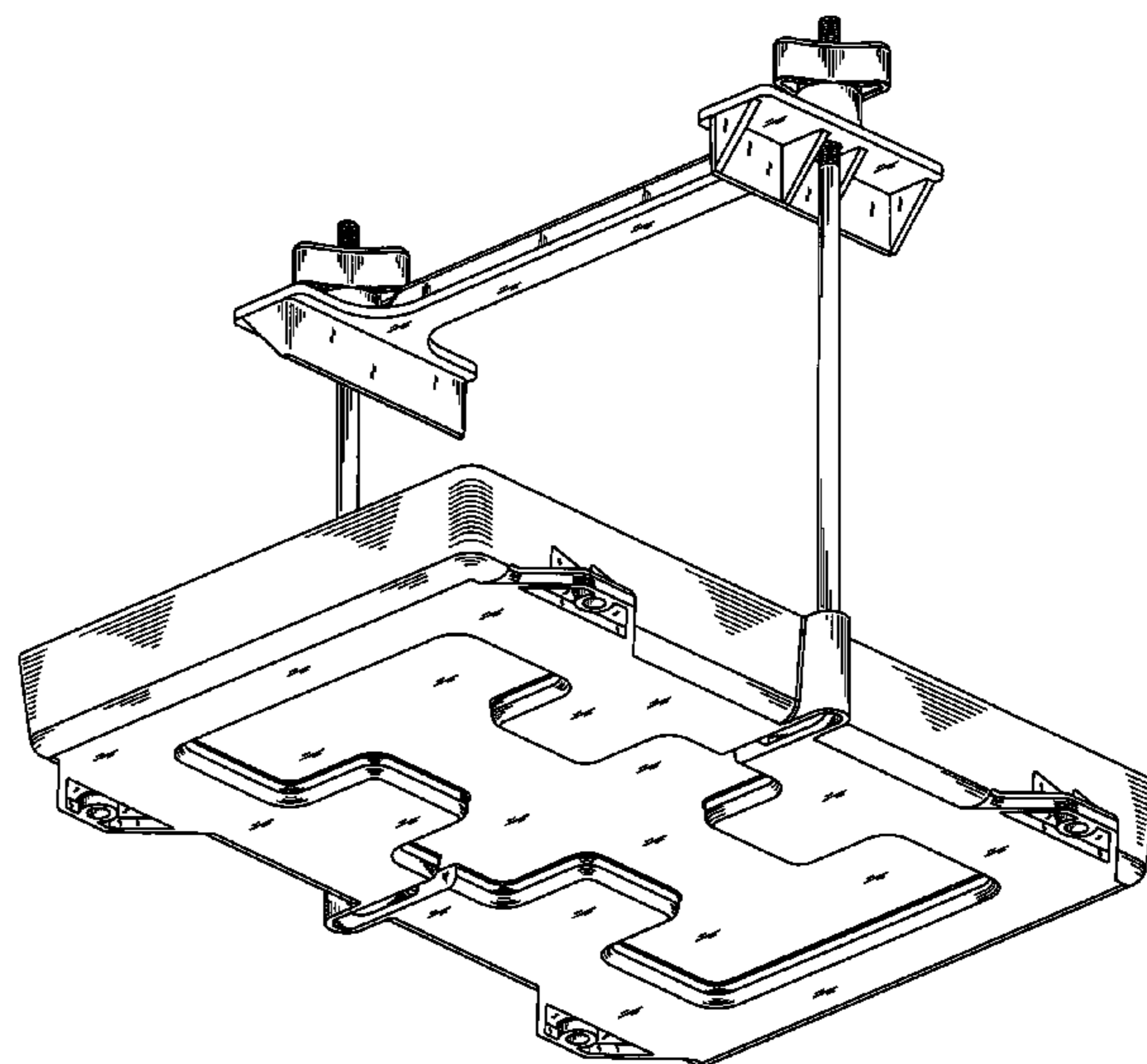
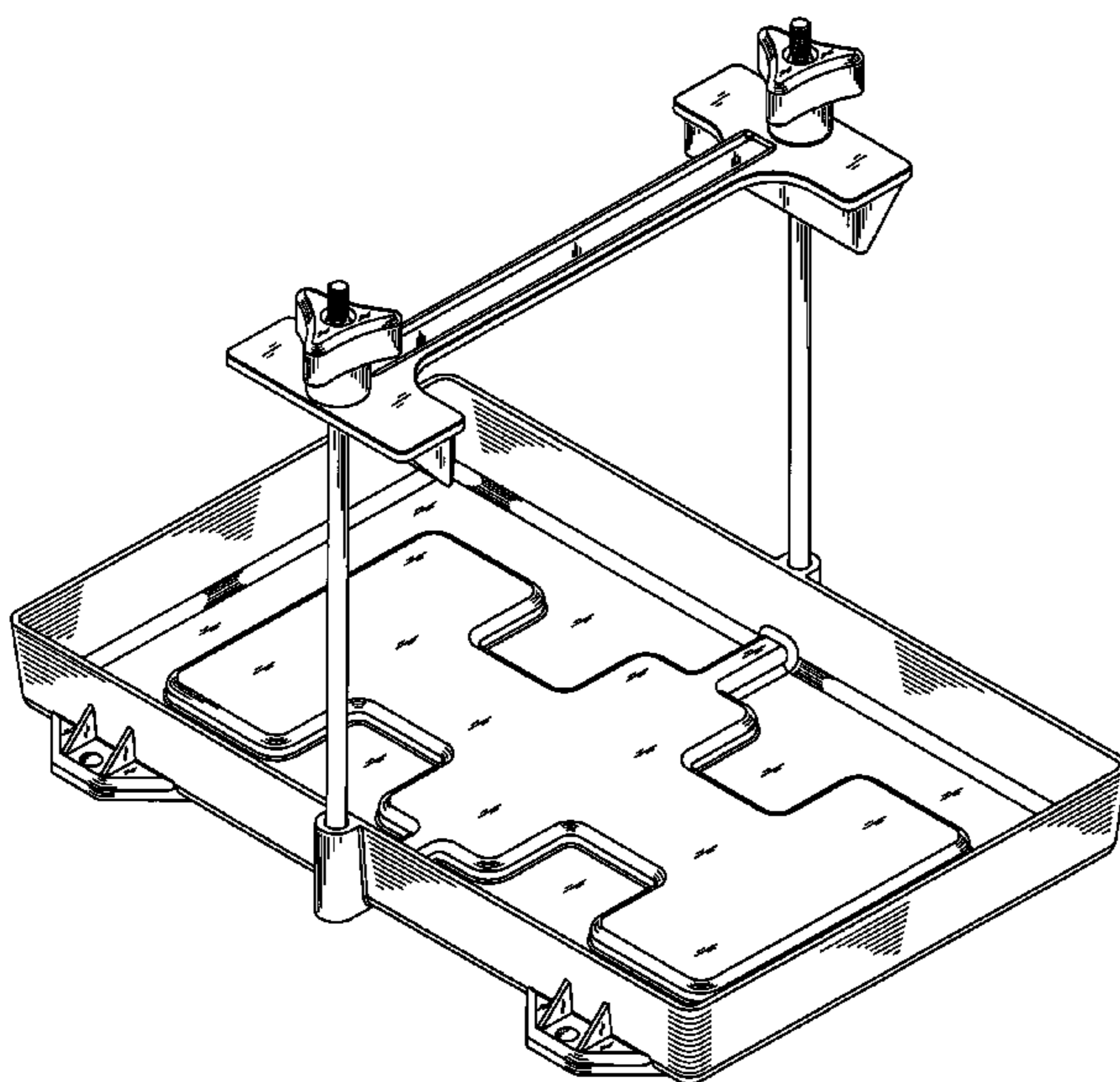
FIG. 5 is a right elevational view thereof;

FIG. 6 is a left elevational view thereof;

FIG. 7 is a top plan view thereof; and,

FIG. 8 is a bottom plan view thereof.

**1 Claim, 8 Drawing Sheets**



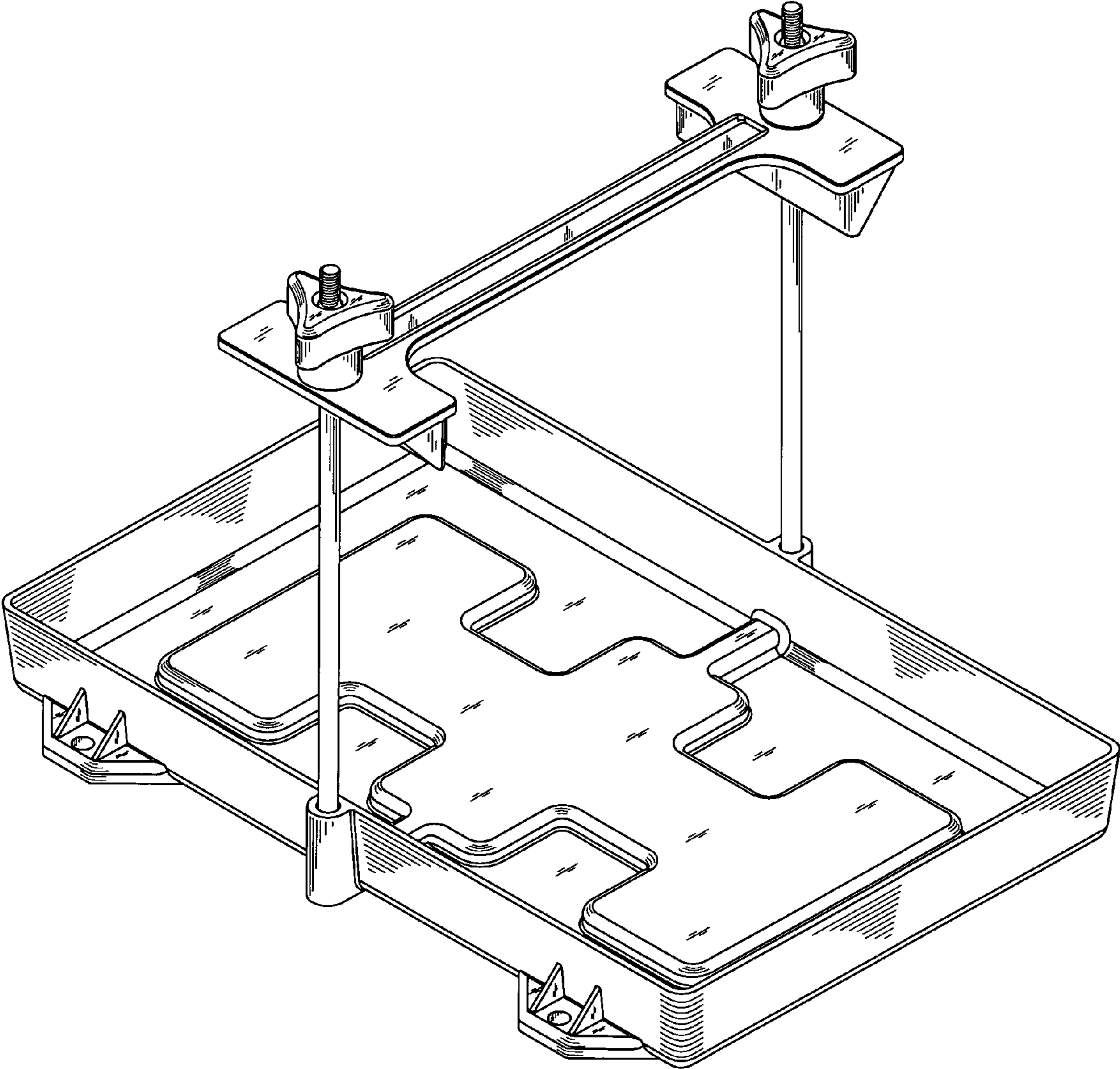


FIG. 1

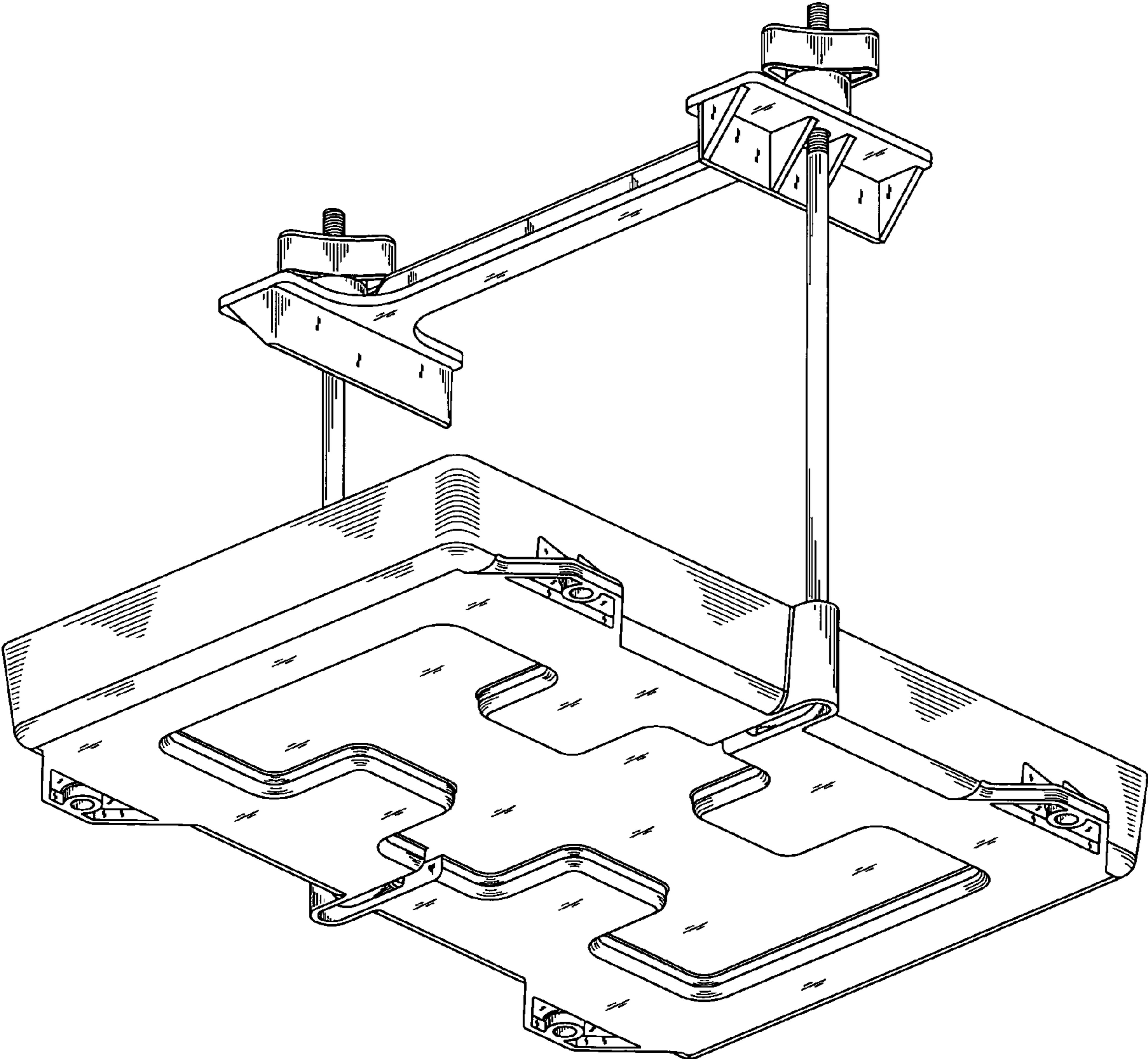


FIG. 2

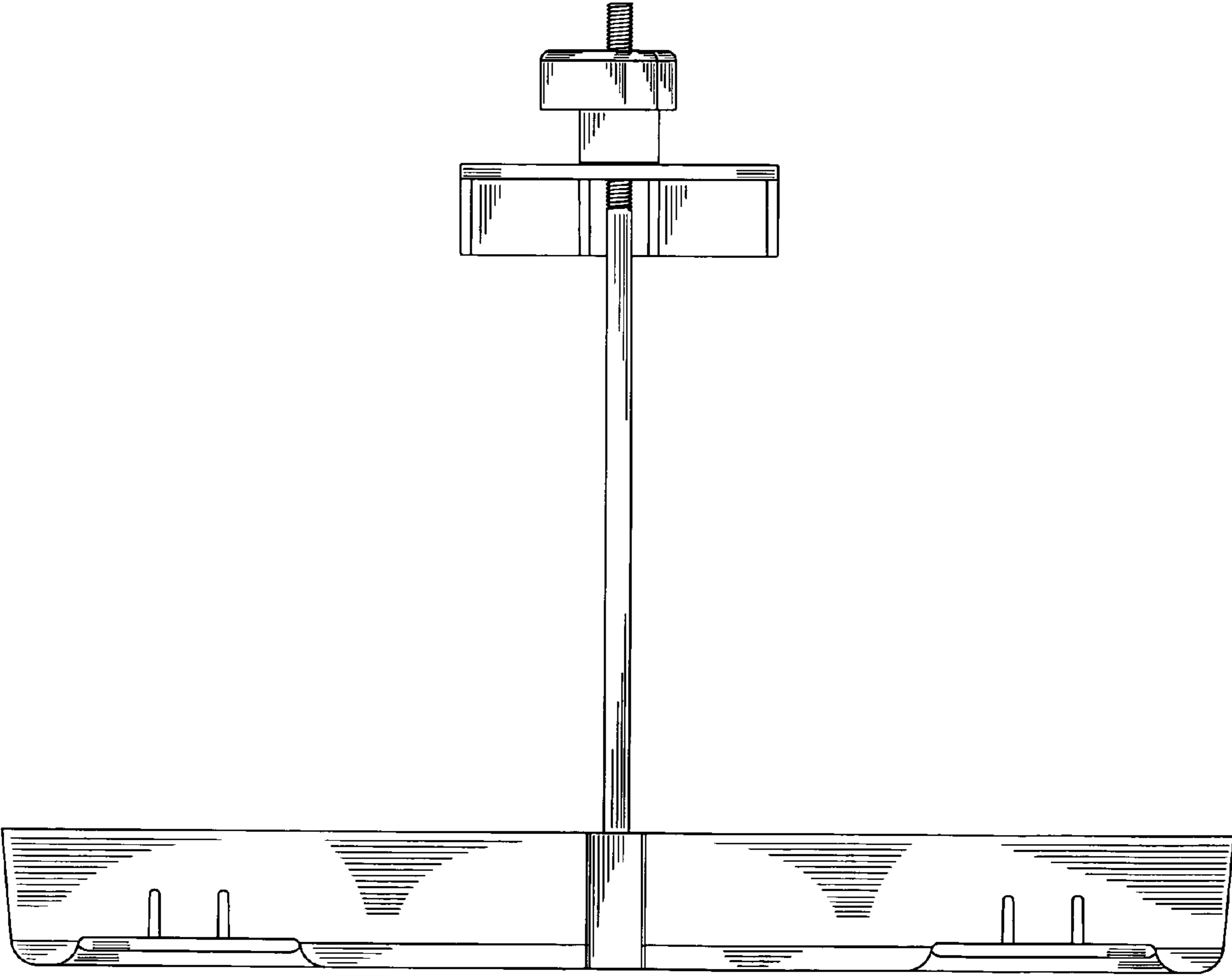


FIG. 3

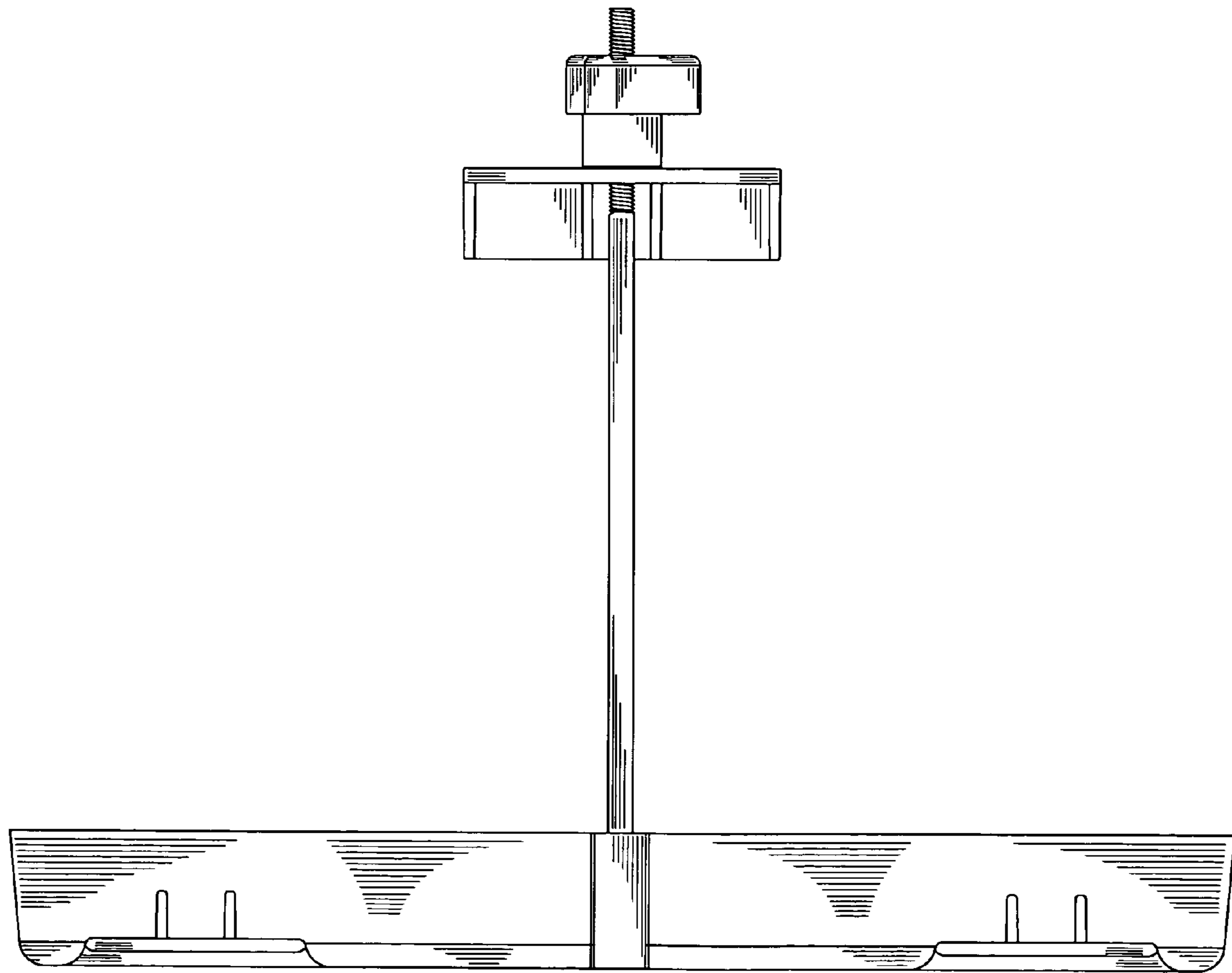


FIG. 4

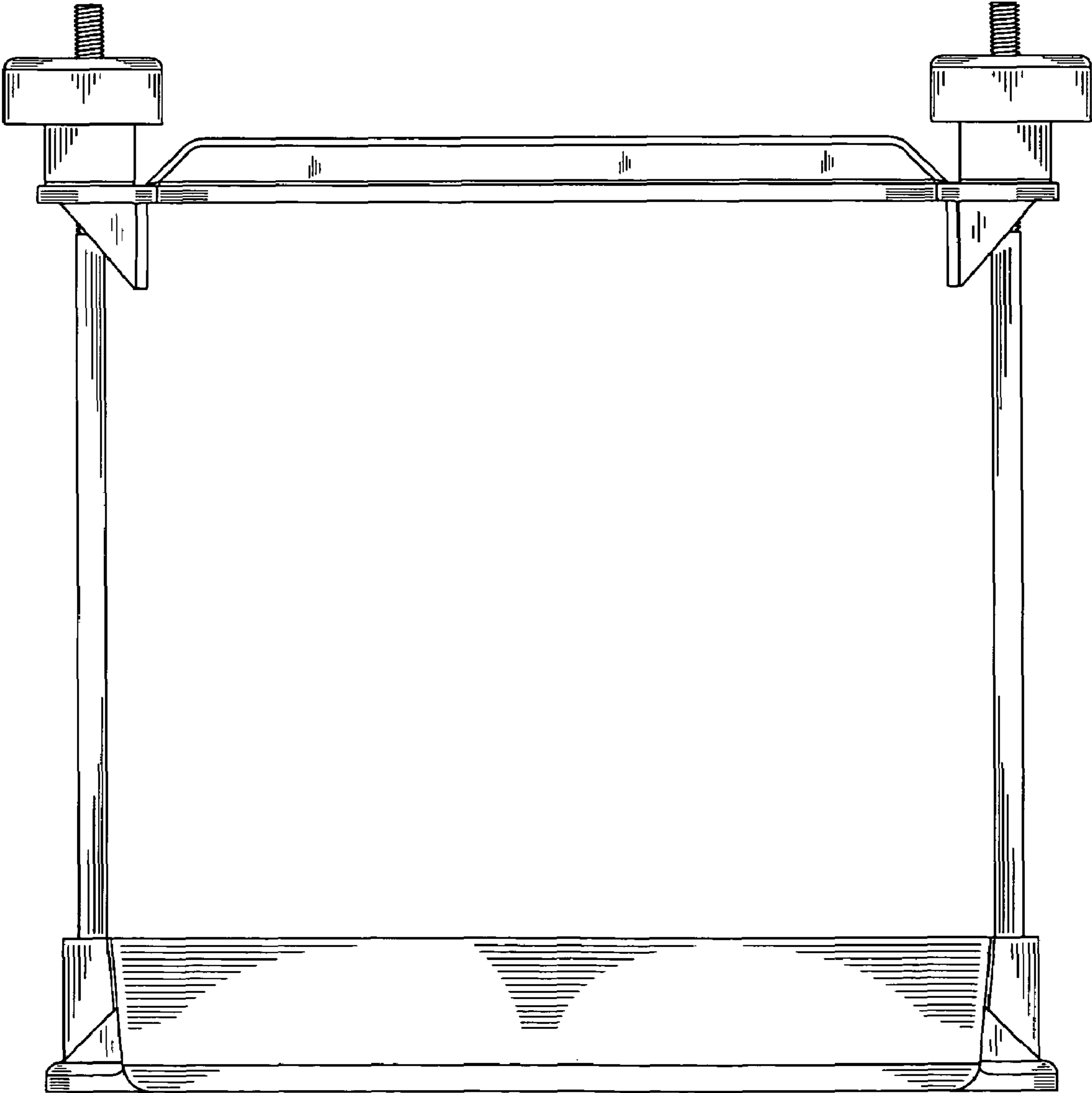


FIG. 5

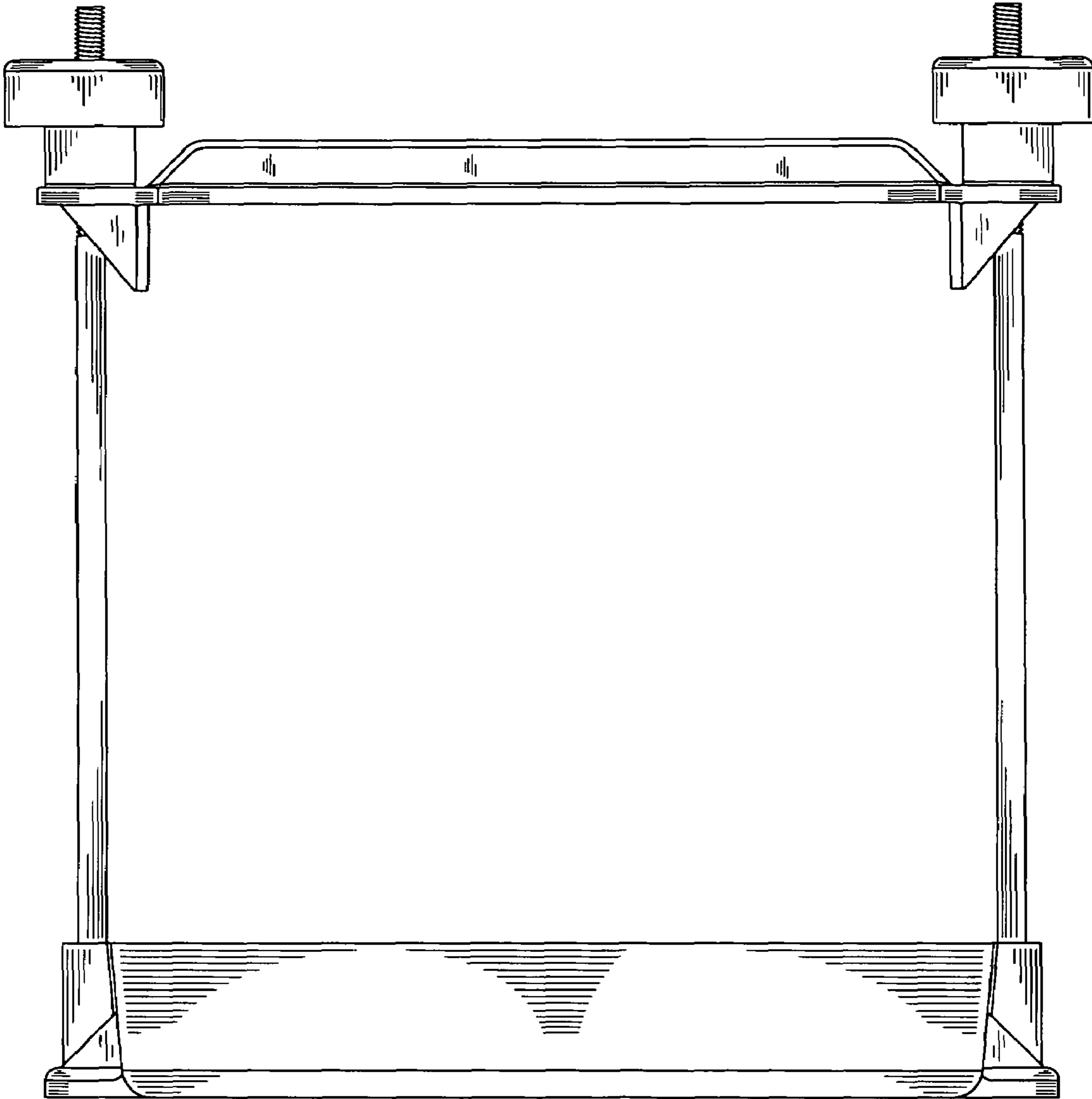


FIG. 6

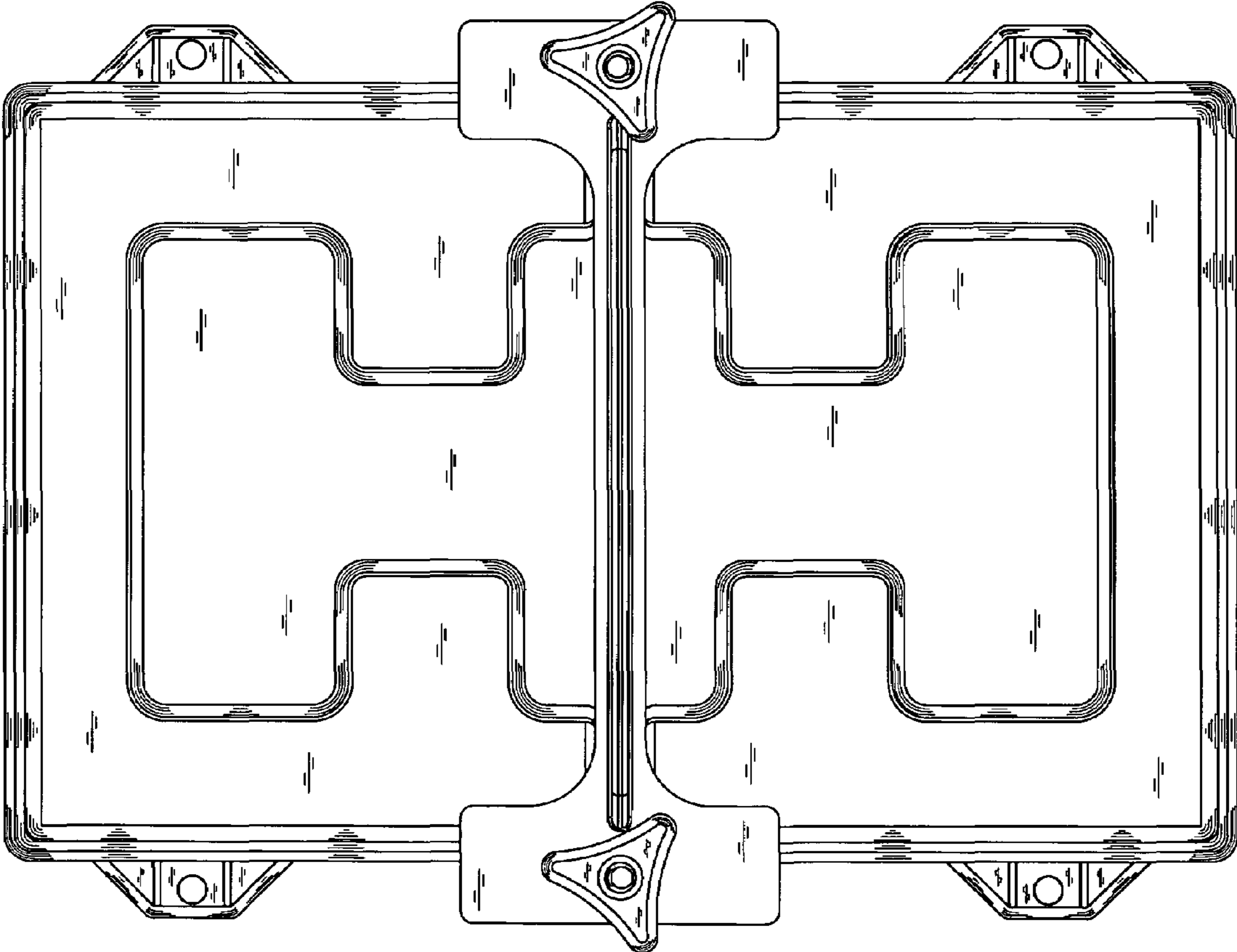


FIG. 7



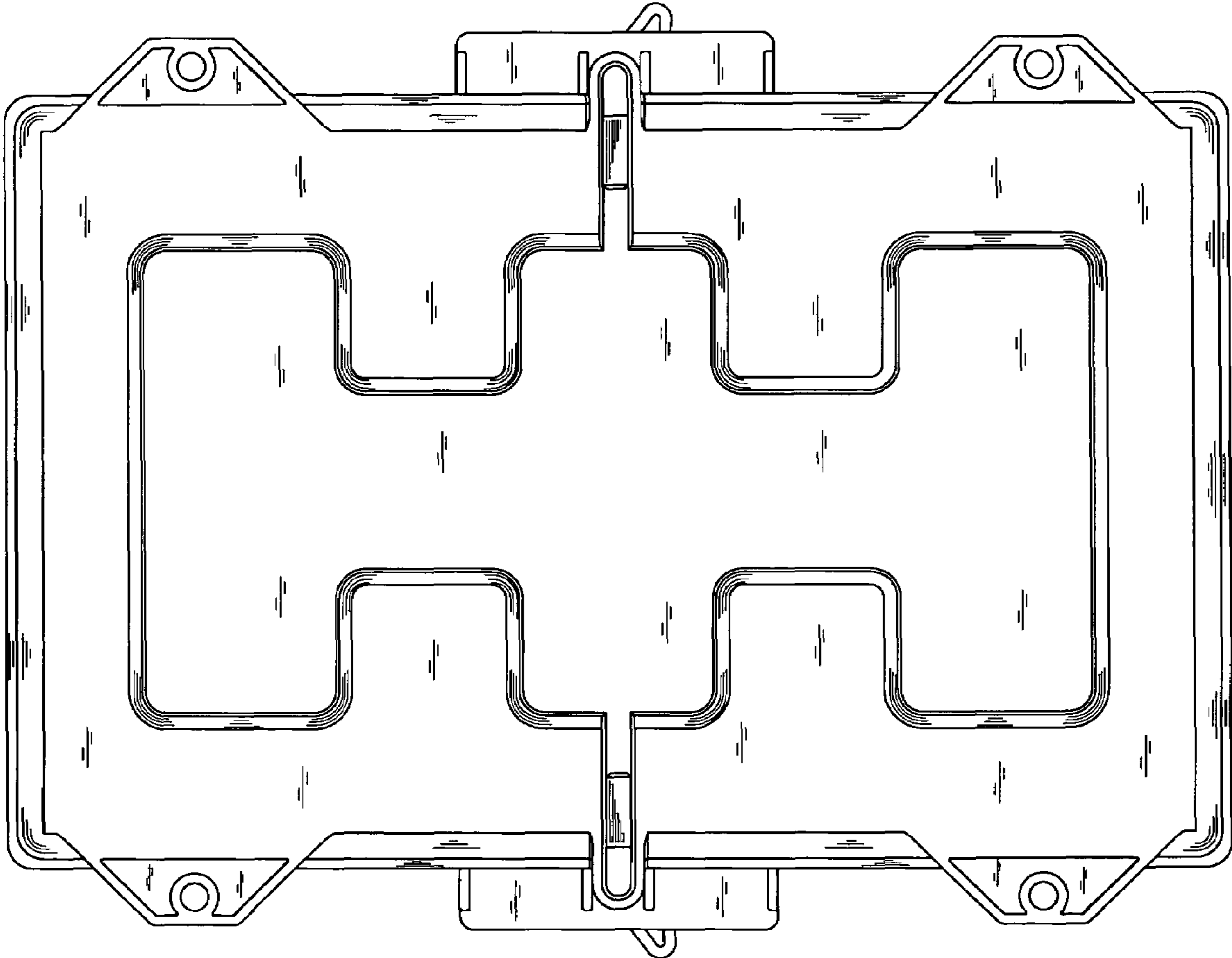


FIG. 8