



US00D611410S

(12) **United States Design Patent**  
**Sturm et al.**

(10) **Patent No.:** **US D611,410 S**  
(45) **Date of Patent:** **\*\* Mar. 9, 2010**

(54) **ELECTRIC MOTOR**

(75) Inventors: **Gerhard Sturm**, Mulfingen (DE);  
**Dieter Best**, Ingelfingen (DE); **Thomas Sauer**, Idstein (DE); **Martin Bürkert**, Dörzbach-Hohebach (DE)

(73) Assignee: **EBM-PAPST Mulfingen GmbH & Co. KG**, Mulfingen (DE)

(\*\*) Term: **14 Years**

(21) Appl. No.: **29/296,050**

(22) Filed: **Oct. 12, 2007**

(30) **Foreign Application Priority Data**

Apr. 12, 2007 (EM) ..... 000706478-0001  
Apr. 12, 2007 (EM) ..... 000706478-0002  
Apr. 12, 2007 (EM) ..... 000706478-0003

(51) **LOC (9) Cl.** ..... **13-01**

(52) **U.S. Cl.** ..... **D13/112**

(58) **Field of Classification Search** ..... D13/112,  
D13/113, 114, 122, 184, 199; D15/1, 5;  
29/596, 598; 310/40 MM, 40 R, 85, 88,  
310/89, 239; 322/16, 39

See application file for complete search history.

(56) **References Cited**

**U.S. PATENT DOCUMENTS**

D205,662 S \* 9/1966 Bluemink ..... D13/112  
D245,498 S \* 8/1977 Andreas ..... D13/112  
D245,499 S \* 8/1977 Andreas ..... D13/112  
4,244,098 A \* 1/1981 Barcus ..... 29/596  
D268,022 S \* 2/1983 Lenz et al. .... D13/122  
4,673,837 A \* 6/1987 Gingerich et al. .... 310/239  
D294,141 S \* 2/1988 Ueda et al. .... D13/112  
D297,426 S \* 8/1988 Mabuchi ..... D13/112  
D304,169 S \* 10/1989 Hoshino et al. .... D13/112  
D325,560 S \* 4/1992 Baines ..... D13/112

D360,615 S \* 7/1995 Sakashita et al. .... D13/112  
D397,992 S \* 9/1998 Shimomura et al. .... D13/112  
D401,553 S \* 11/1998 Pearce et al. .... D13/112  
D441,715 S \* 5/2001 Sasaki et al. .... D13/122  
D496,630 S \* 9/2004 Burton ..... D13/122  
D511,138 S \* 11/2005 Kwan ..... D13/112

**FOREIGN PATENT DOCUMENTS**

EP 1419568 B1 4/2005

\* cited by examiner

*Primary Examiner*—Prabhakar Deshmukh

*Assistant Examiner*—Derrick Holland

(74) *Attorney, Agent, or Firm*—Brinks Hofer Gilson & Lione

(57) **CLAIM**

The ornamental design for an electric motor, as shown and described.

**DESCRIPTION**

FIG. 1 is a front perspective view of a electric motor showing our new design;

FIG. 2 is a front view thereof;

FIG. 3 is a rear view thereof;

FIG. 4 is a right side view thereof;

FIG. 5 is a left side view thereof;

FIG. 6 is a bottom plan view thereof;

FIG. 7 is a top plan view thereof;

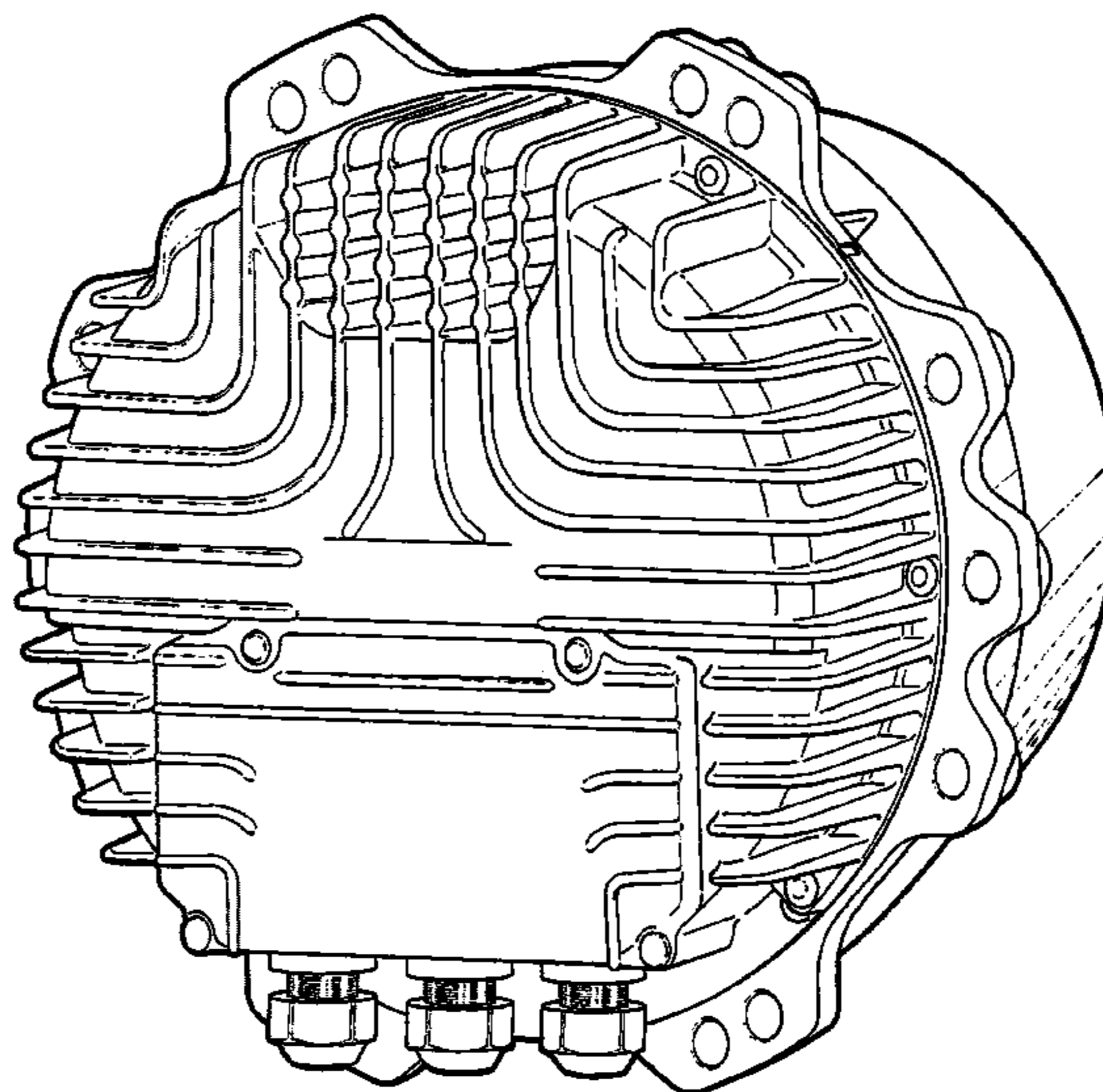
FIG. 8 is a rear perspective view thereof;

FIG. 9 is a front perspective view thereof, show in environmental use; and,

FIG. 10 is another front perspective view thereof, shown in environmental use.

The broken lines represent unclaimed subject matter and form no part of the claimed design.

**1 Claim, 10 Drawing Sheets**



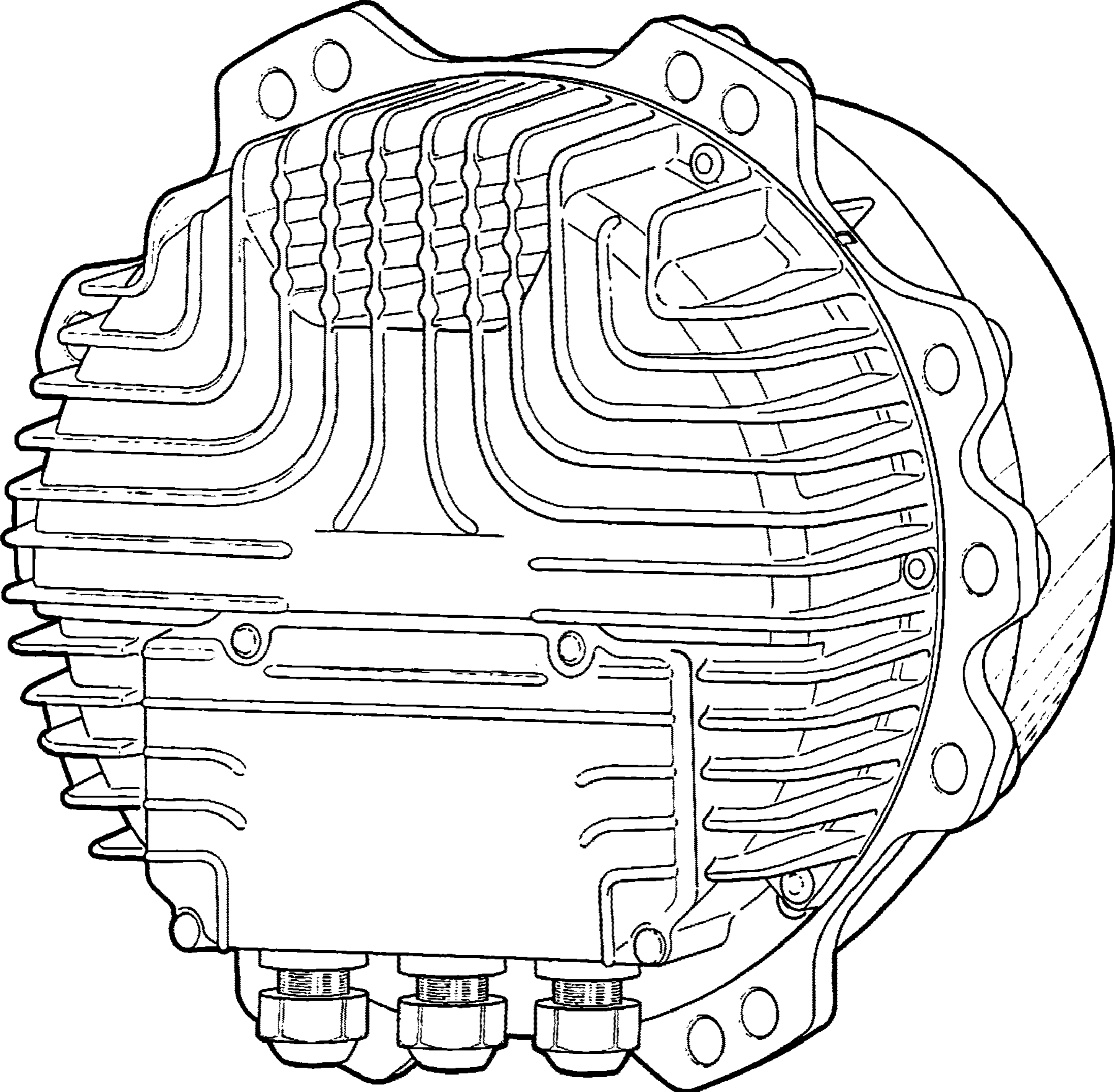


Fig. 1

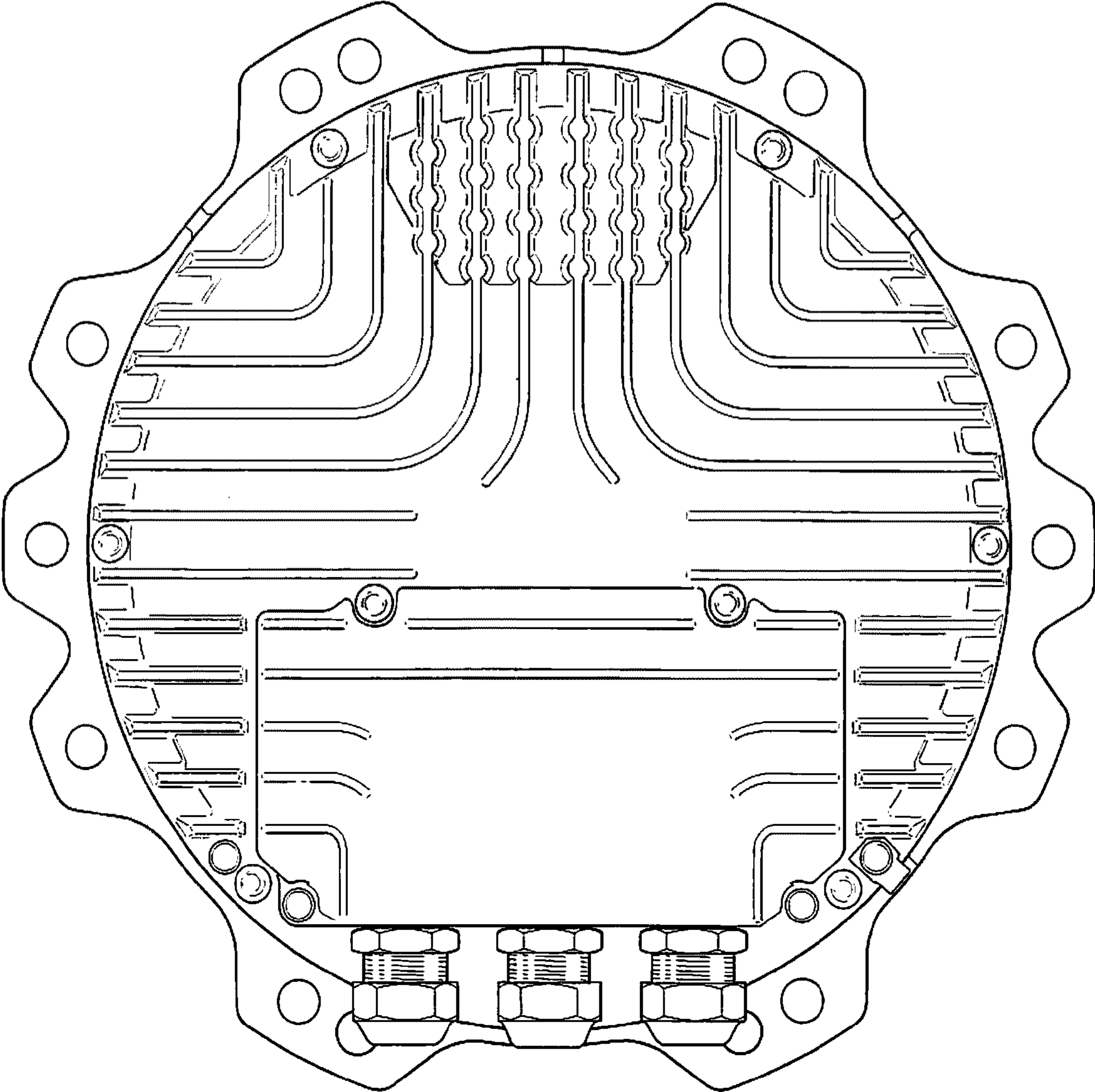


Fig. 2

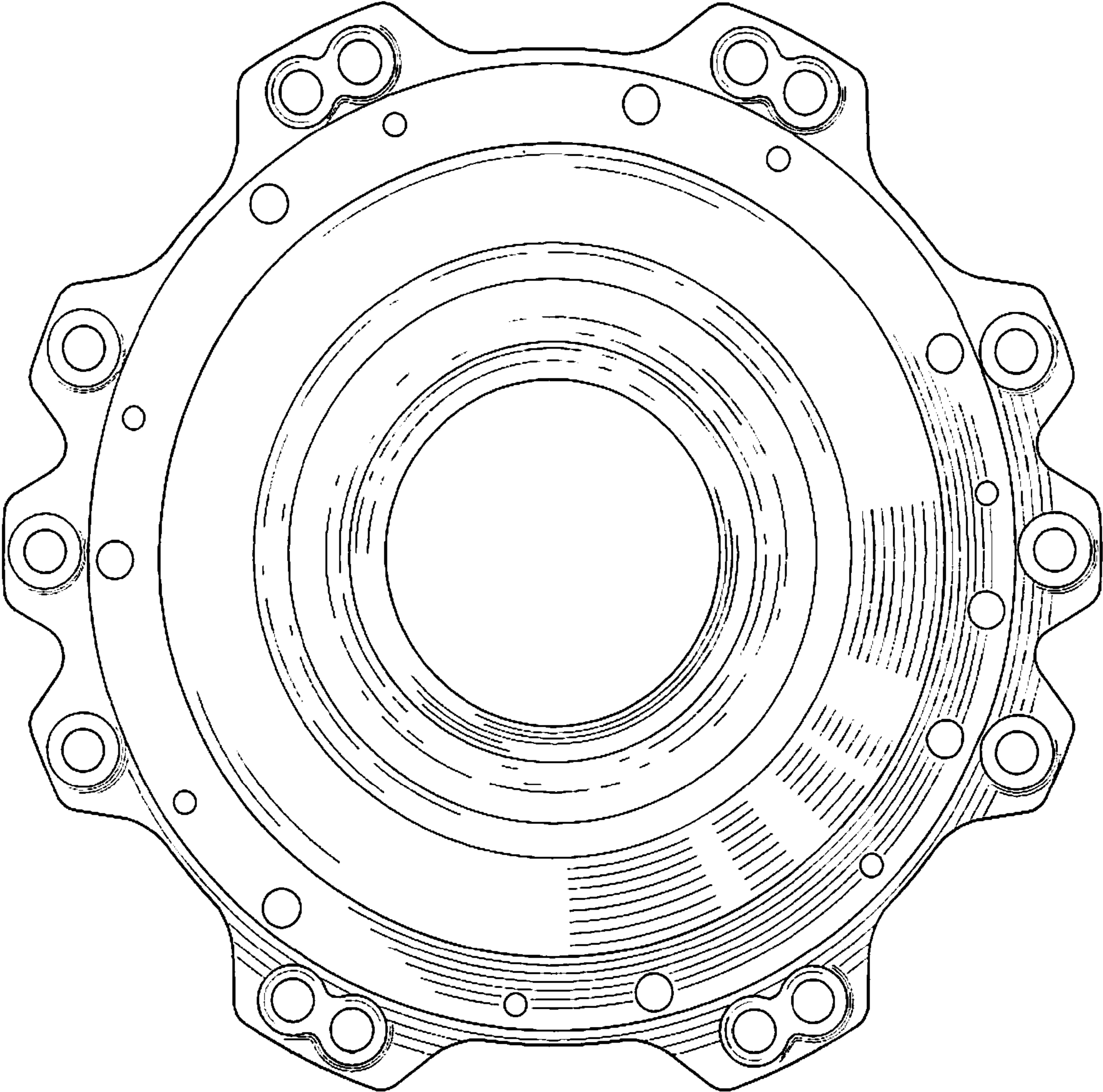


Fig. 3

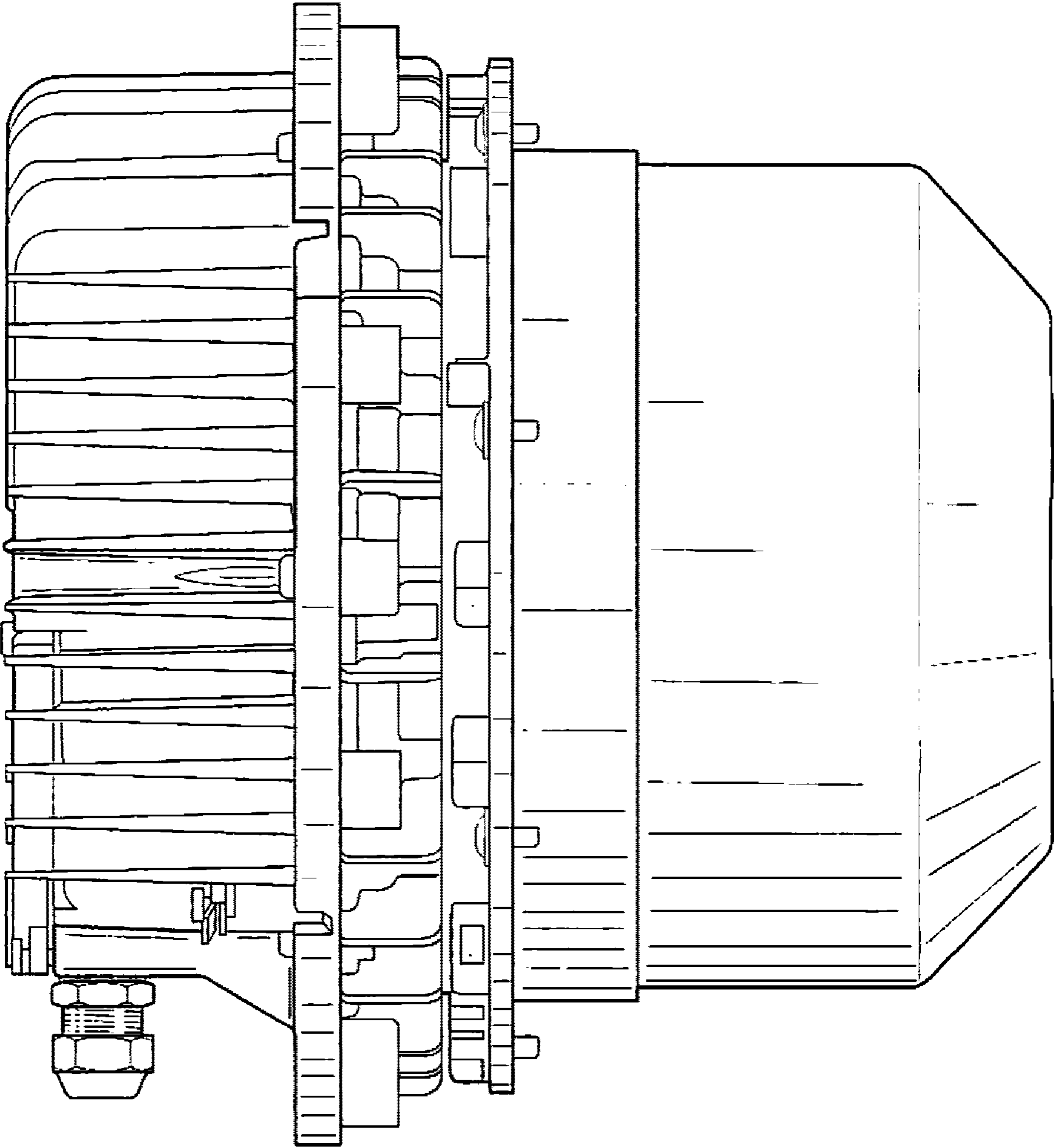


Fig. 4

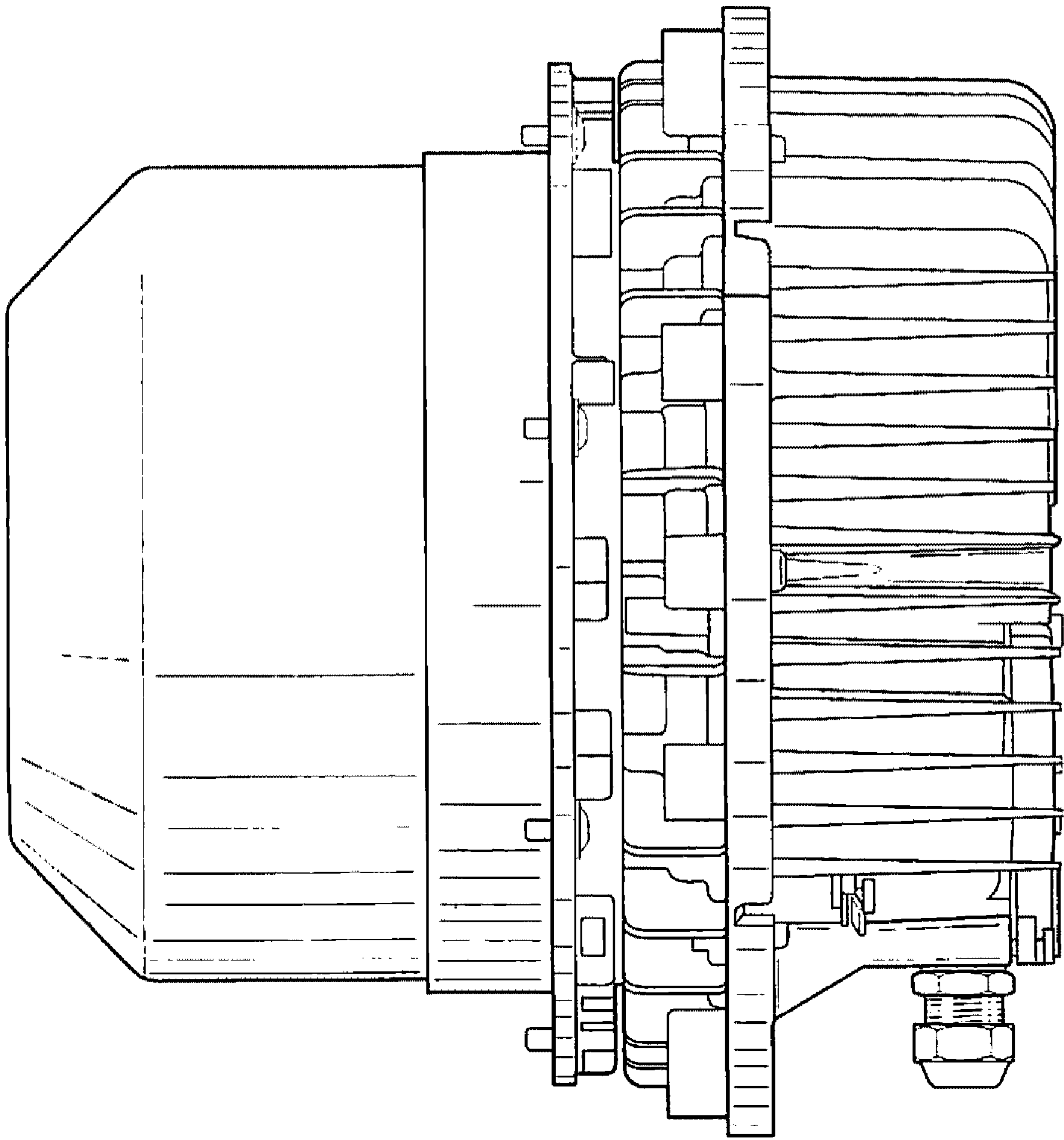


Fig. 5

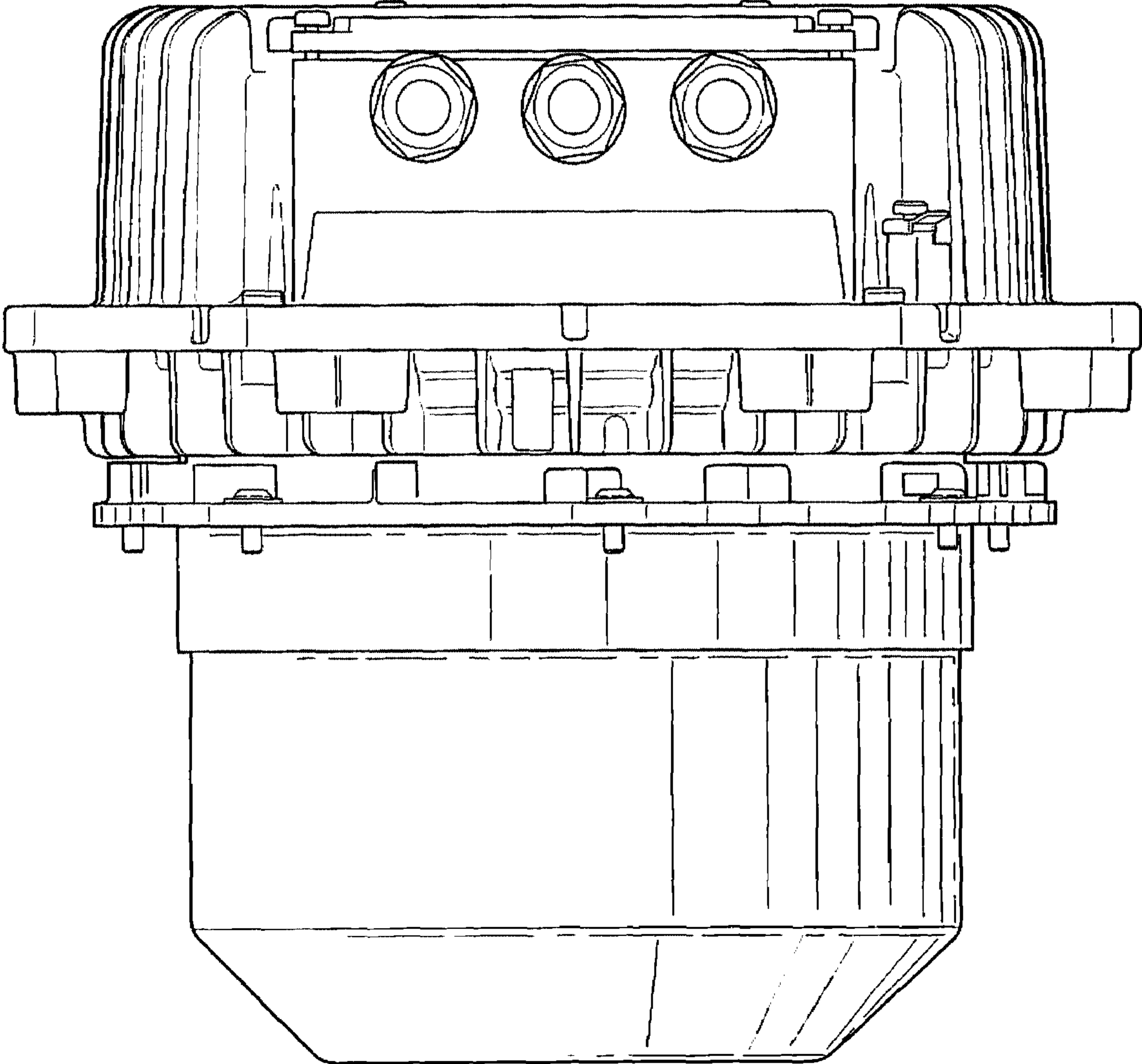


Fig. 6

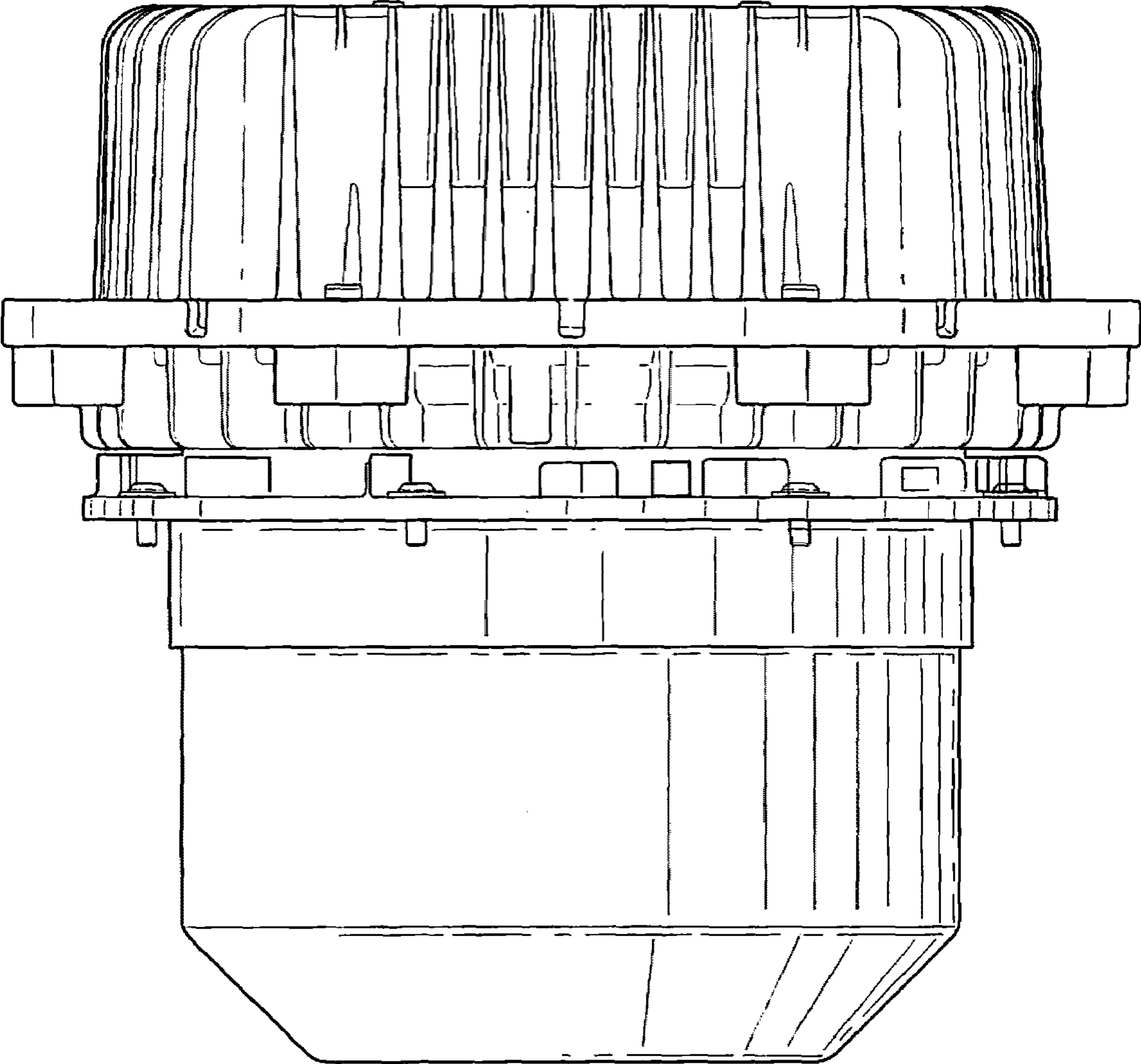


Fig. 7



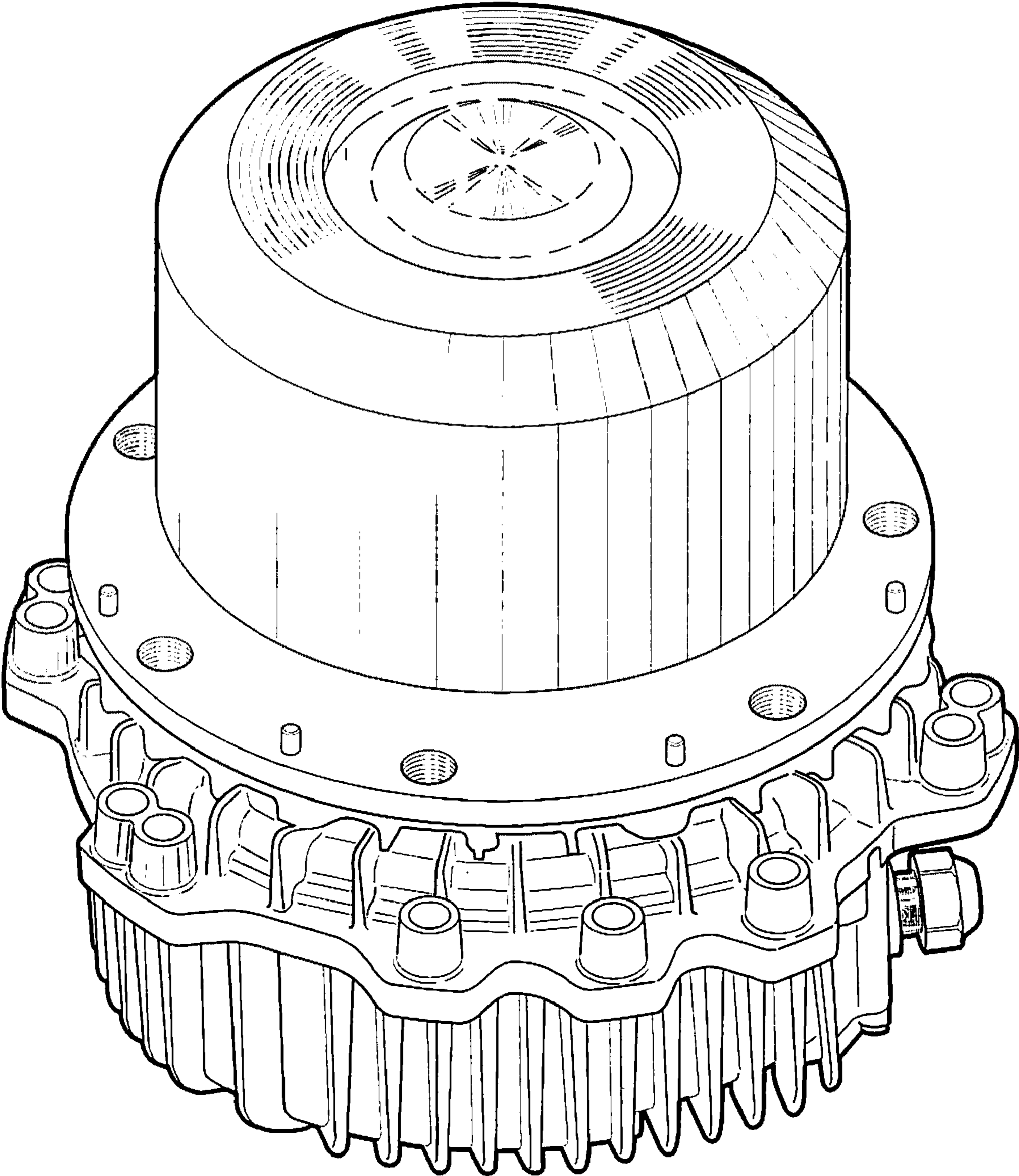


Fig. 8

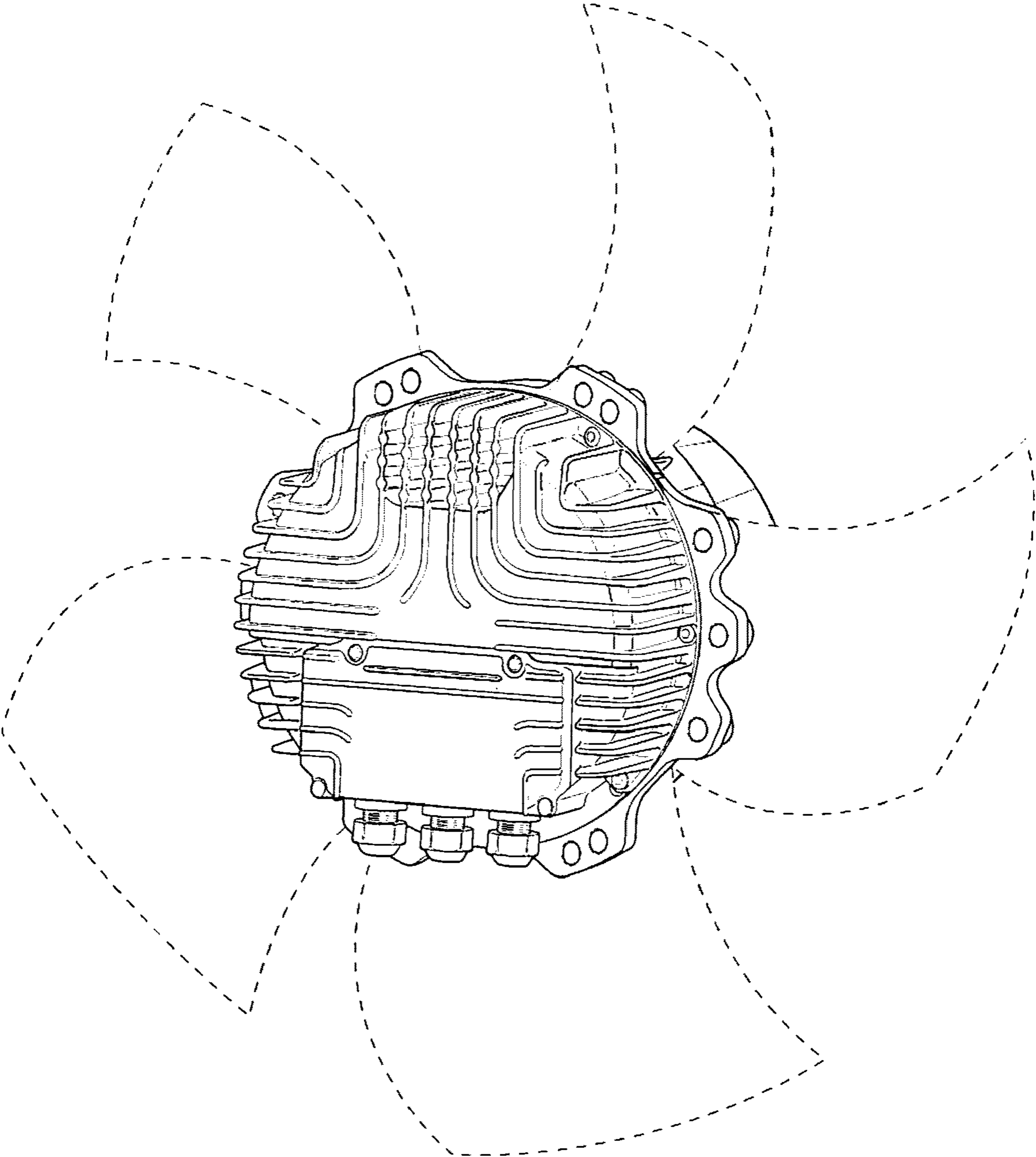


Fig. 9

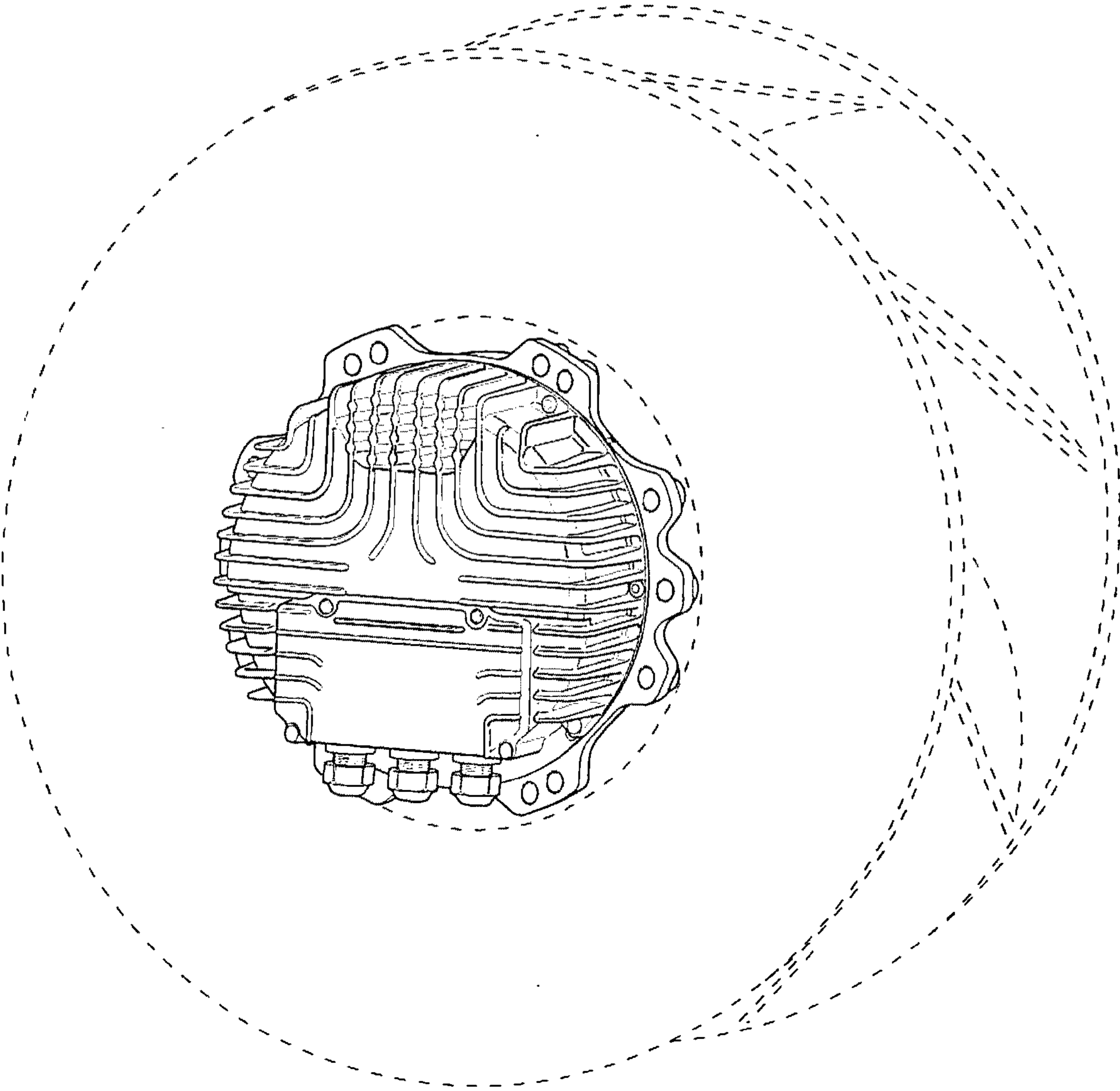


Fig. 10