



US00D611409S

(12) **United States Design Patent**
Green et al.

(10) **Patent No.:** **US D611,409 S**
(45) **Date of Patent:** **** Mar. 9, 2010**

(54) **POWER ADAPTER**

(75) Inventors: **Chris Green**, San Francisco, CA (US);
John E. Johnston, Redwood City, CA (US)

(73) Assignee: **Amazon Technologies Inc.**, Seattle, WA (US)

(**) Term: **14 Years**

(21) Appl. No.: **29/330,620**

(22) Filed: **Jan. 9, 2009**

(51) **LOC (9) Cl.** **13-02**

(52) **U.S. Cl.** **D13/110; D13/138.1**

(58) **Field of Classification Search** .. D13/137.1–137.4,
D13/138.1, 138.2, 139.1–139.8, 107–108,
D13/110, 133, 146, 147, 154, 156, 184, 199;
D14/433; 174/53–58, 66; 439/105–107,
439/535, 650–655, 638, 692, 502, 505; 337/189,
337/198

See application file for complete search history.

(56) **References Cited**

U.S. PATENT DOCUMENTS

D105,216 S *	7/1937	Herman	D13/138.1
D258,429 S *	3/1981	Buckler	D13/138.1
4,543,624 A	9/1985	Rumble		
D305,326 S *	1/1990	Clayton, Jr.	D13/138.1
D338,188 S *	8/1993	Lee et al.	D13/110
D350,113 S	8/1994	Nagele		
D367,257 S	2/1996	Buelow et al.		
5,648,712 A	7/1997	Hahn		
D383,115 S	9/1997	Nagele et al.		
5,684,689 A	11/1997	Hahn		
5,744,934 A	4/1998	Wu		
D400,174 S *	10/1998	Shatkin	D13/138.1
D406,259 S	3/1999	Lindahl		
5,973,948 A	10/1999	Hahn et al.		
D416,226 S	11/1999	Lohrding et al.		
6,086,395 A	7/2000	Lloyd et al.		
D432,497 S	10/2000	Totsuka et al.		
D434,378 S *	11/2000	Ullmann	D13/138.1

D446,499 S	8/2001	Andre et al.		
D449,030 S	10/2001	Baxter et al.		
D452,842 S	1/2002	Kajiwara et al.		
D456,008 S	4/2002	Kawanobe et al.		
D463,366 S *	9/2002	MacKay	D13/138.1
D474,739 S	5/2003	Chang		

(Continued)

Primary Examiner—Rosemary K Tarcza

(74) *Attorney, Agent, or Firm*—Lee & Hayes, PLLC

(57) **CLAIM**

The ornamental design for a power adapter, as shown and described.

DESCRIPTION

FIG. 1 is a top-front perspective view of a power adapter;

FIG. 2 is a bottom-back perspective view of the power adapter of FIG. 1;

FIG. 3 is a front elevation view of the power adapter of FIG. 1;

FIG. 4 is a back elevation view of the power adapter of FIG. 1;

FIG. 5 is a bottom plan view of the power adapter of FIG. 1;

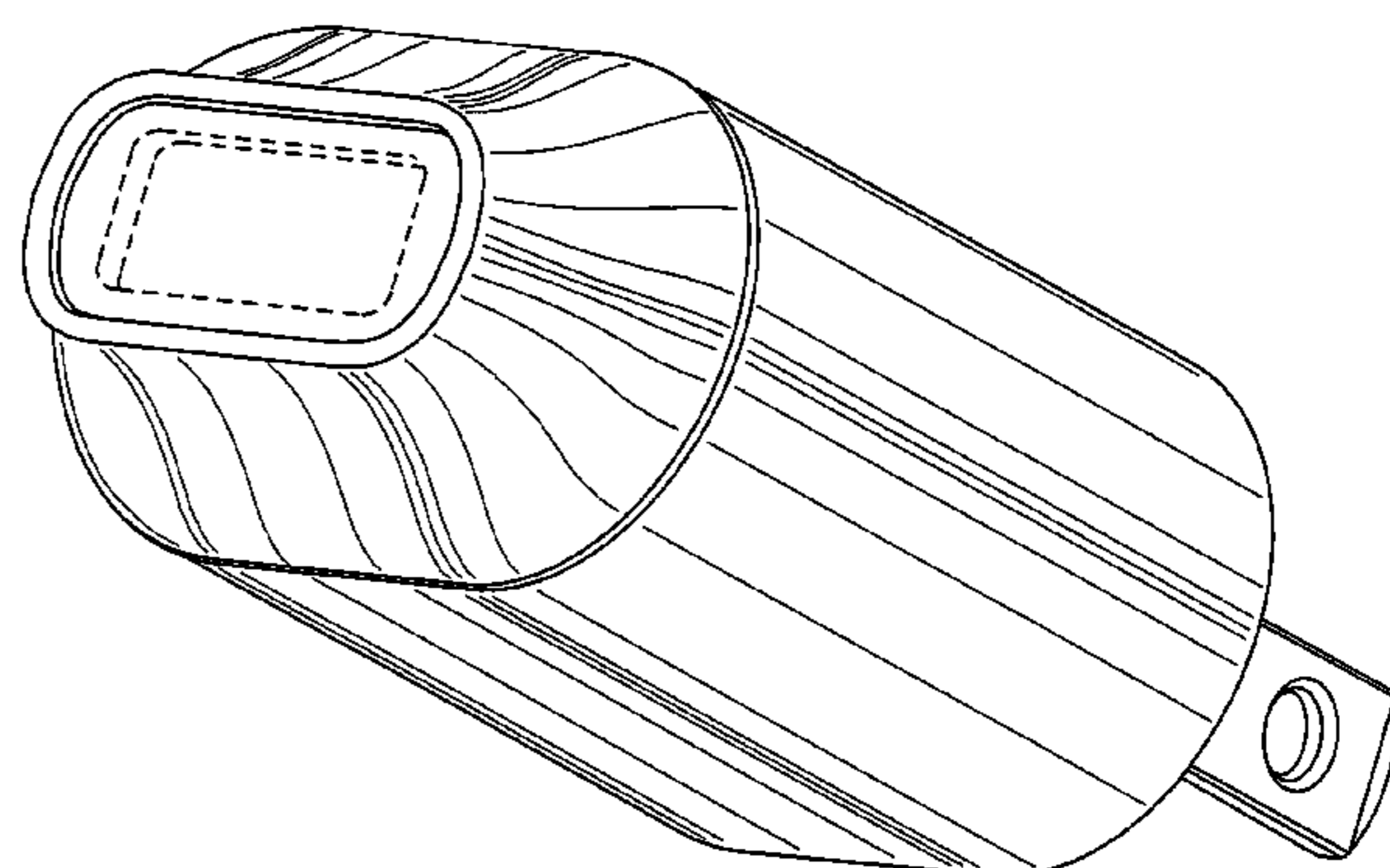
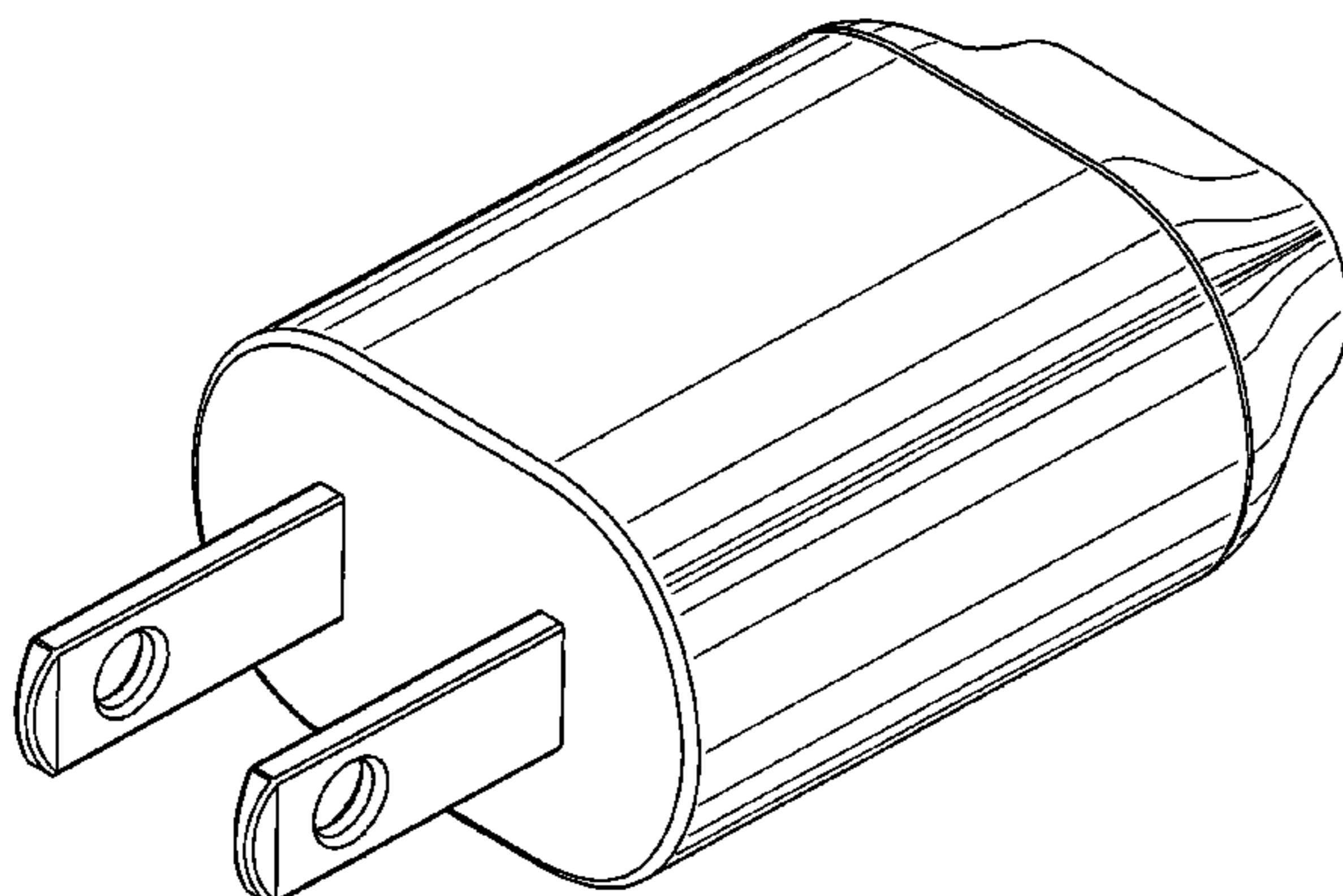
FIG. 6 is a top plan view of the power adapter of FIG. 1;

FIG. 7 is a left side elevation view of the power adapter of FIG. 1; and,

FIG. 8 is a right side elevation view of the power adapter of FIG. 1.

The broken lines in the center of FIGS. 2 and 4 are directed to environment and are for illustrative purposes only. The broken lines form no part of the claimed design.

1 Claim, 8 Drawing Sheets



US D611,409 S

Page 2

U.S. PATENT DOCUMENTS

D484,853 S 1/2004 Alviar
6,845,023 B2 1/2005 Philips et al.
D503,679 S 4/2005 Andre et al.

D583,316 S * 12/2008 Sade et al. D13/108
D601,500 S * 10/2009 Green et al. D13/110

* cited by examiner

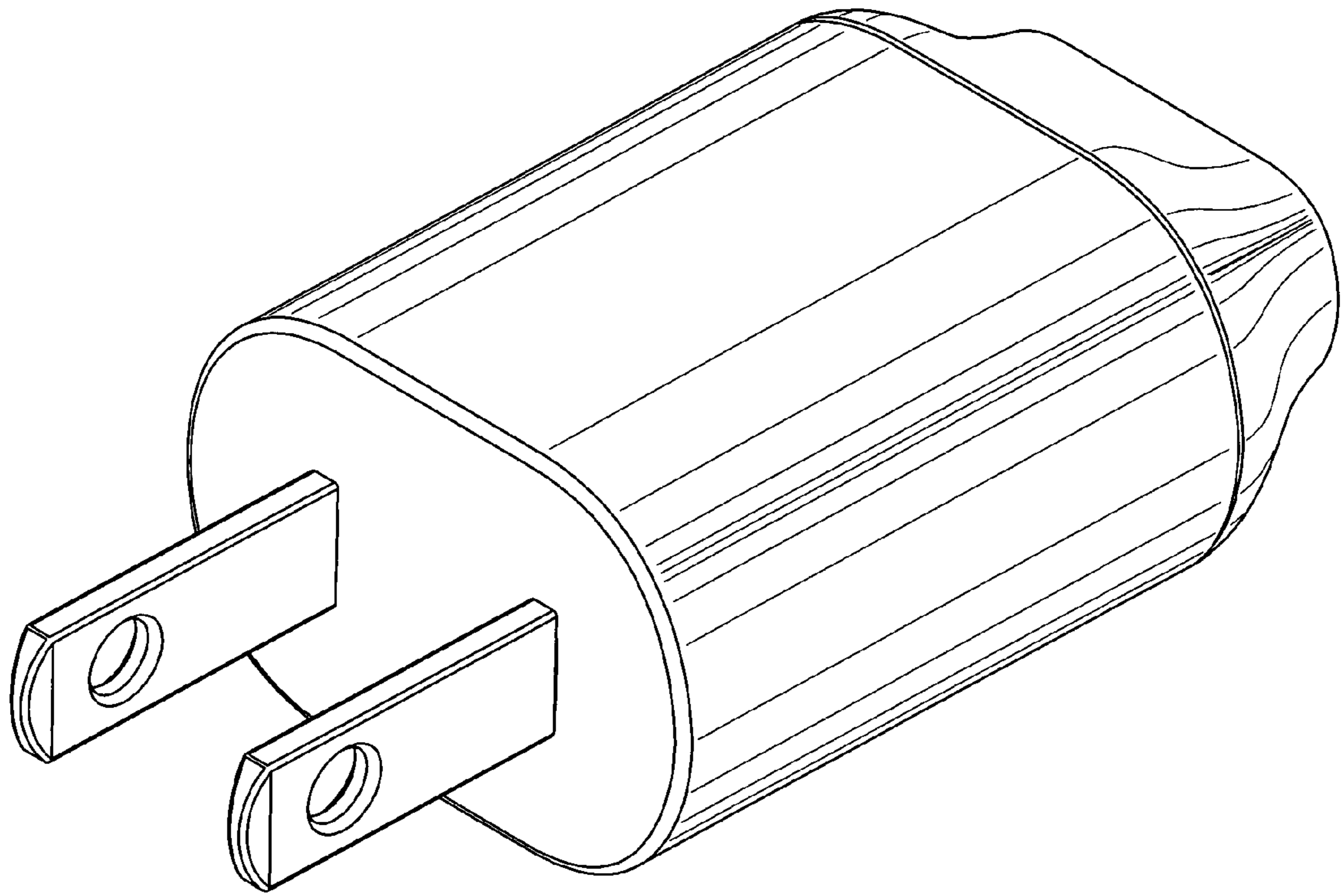


FIG. 1

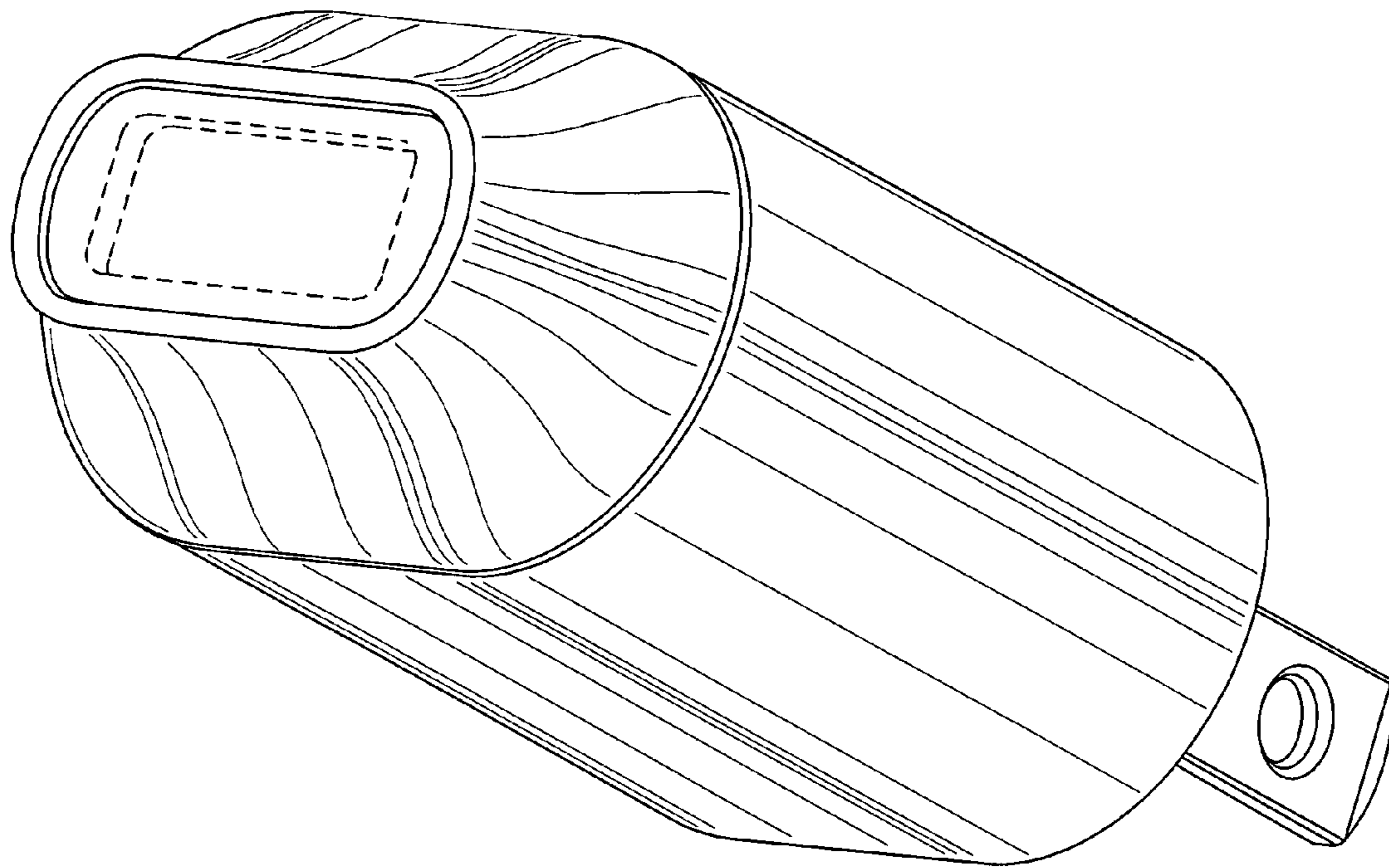


FIG. 2

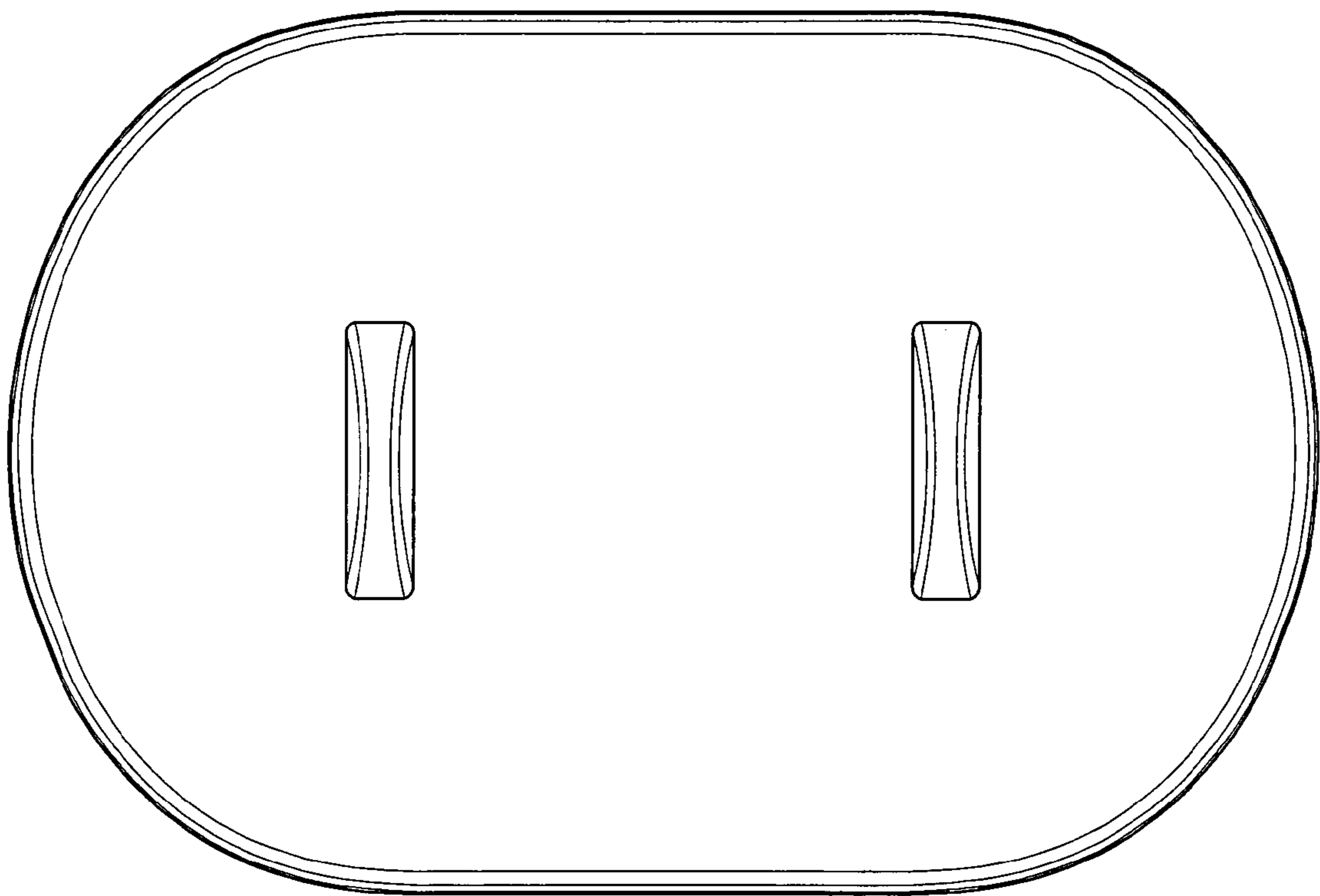


FIG. 3

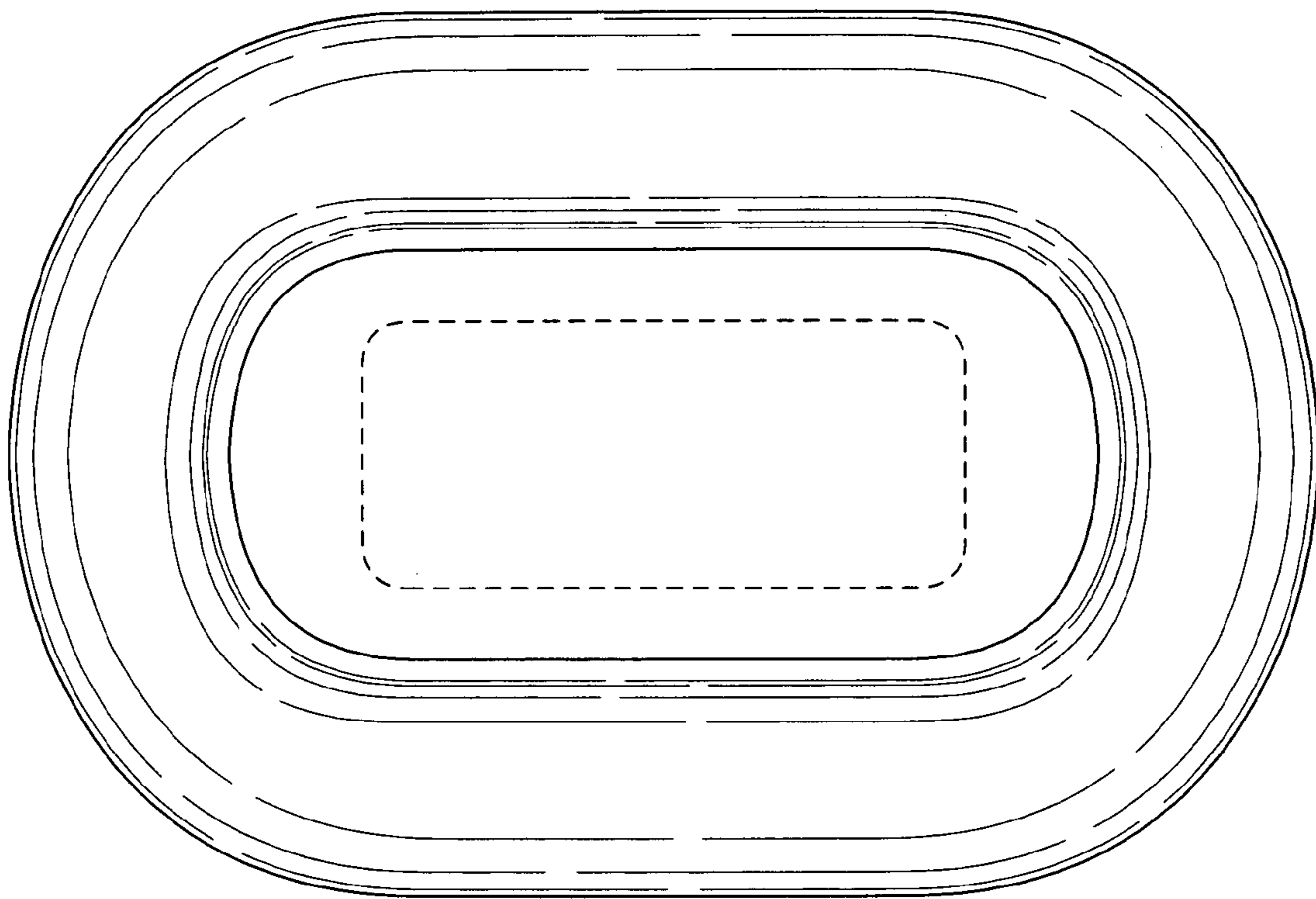


FIG. 4

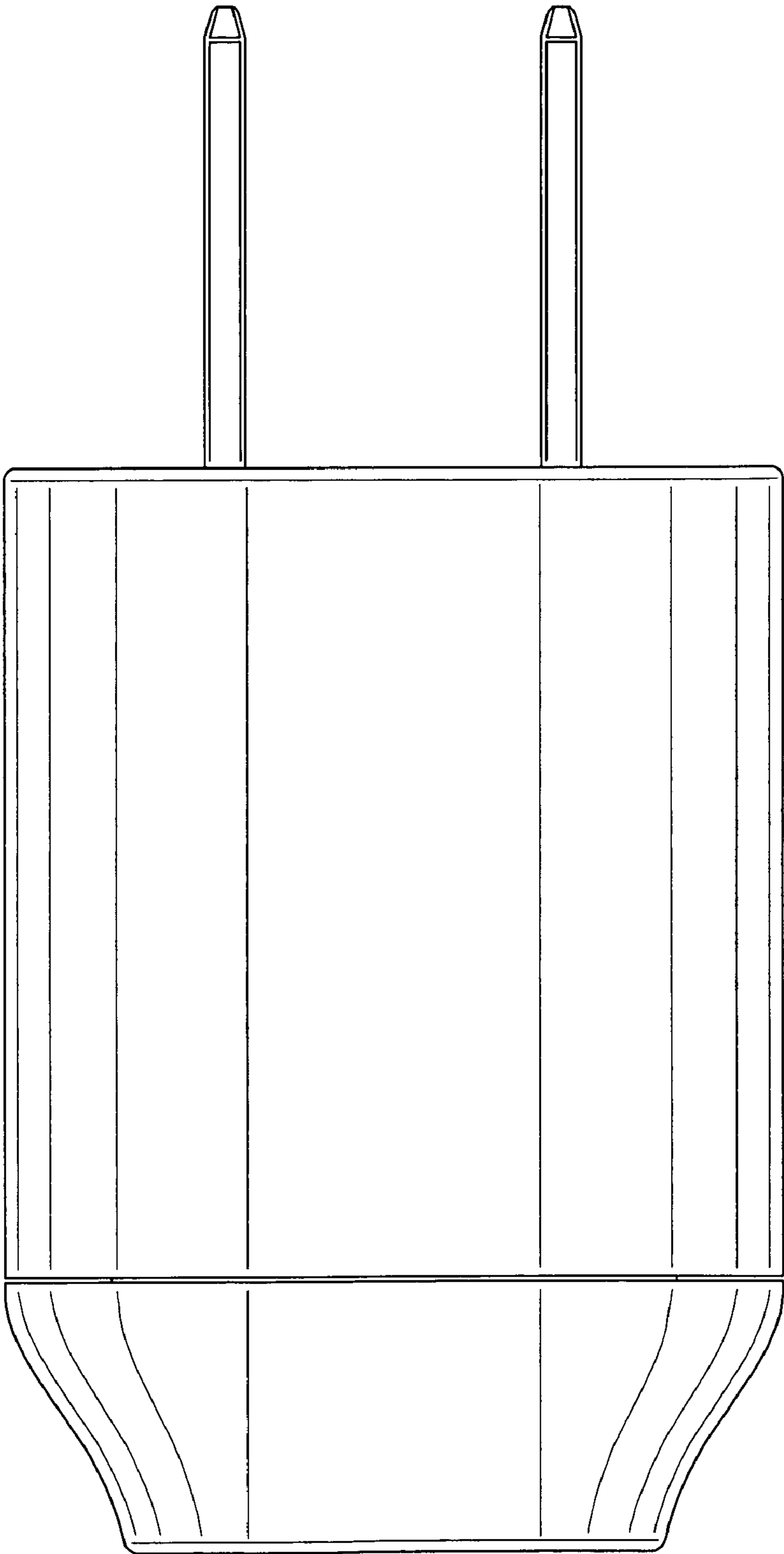


FIG. 5

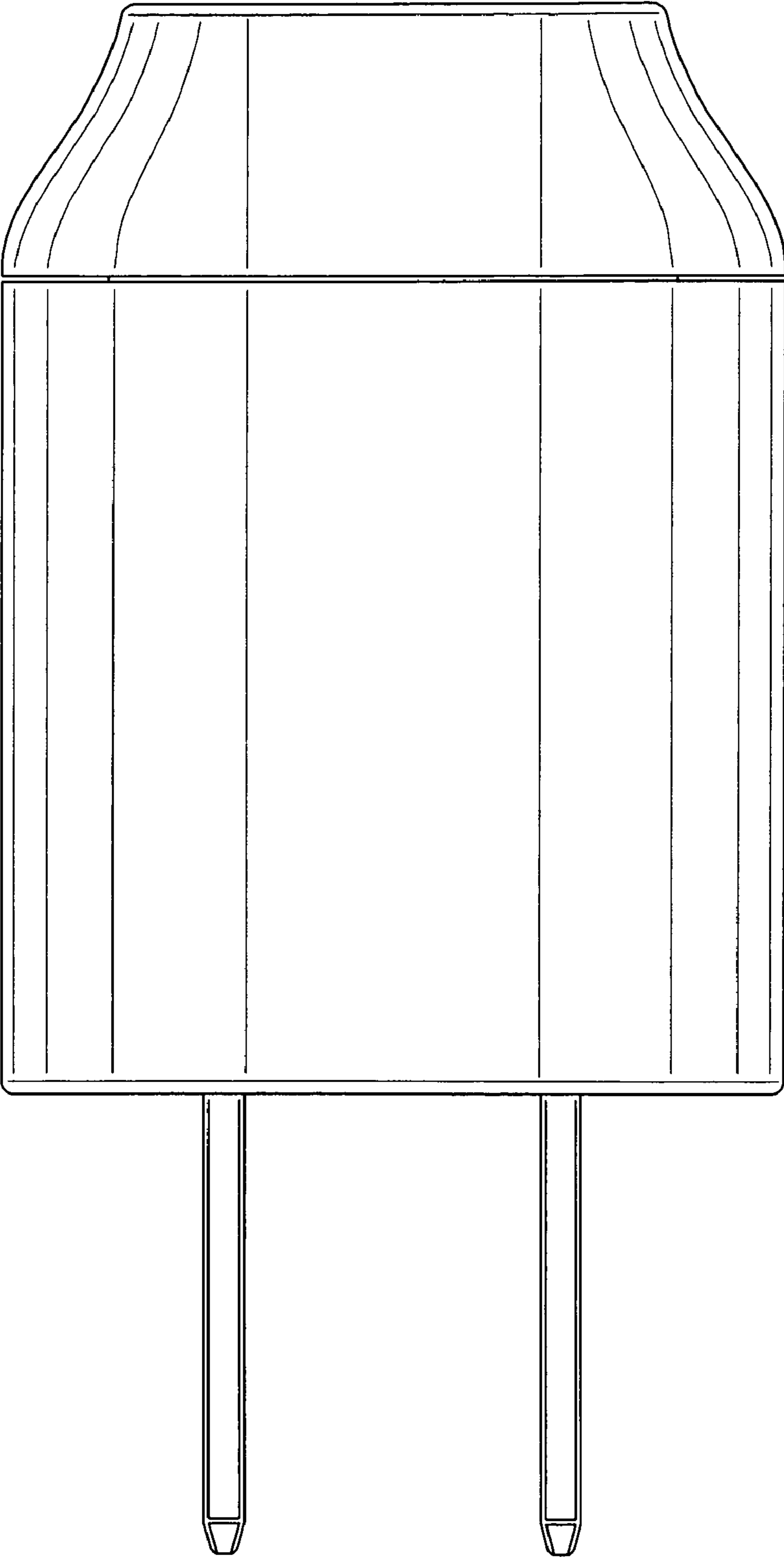


FIG. 6

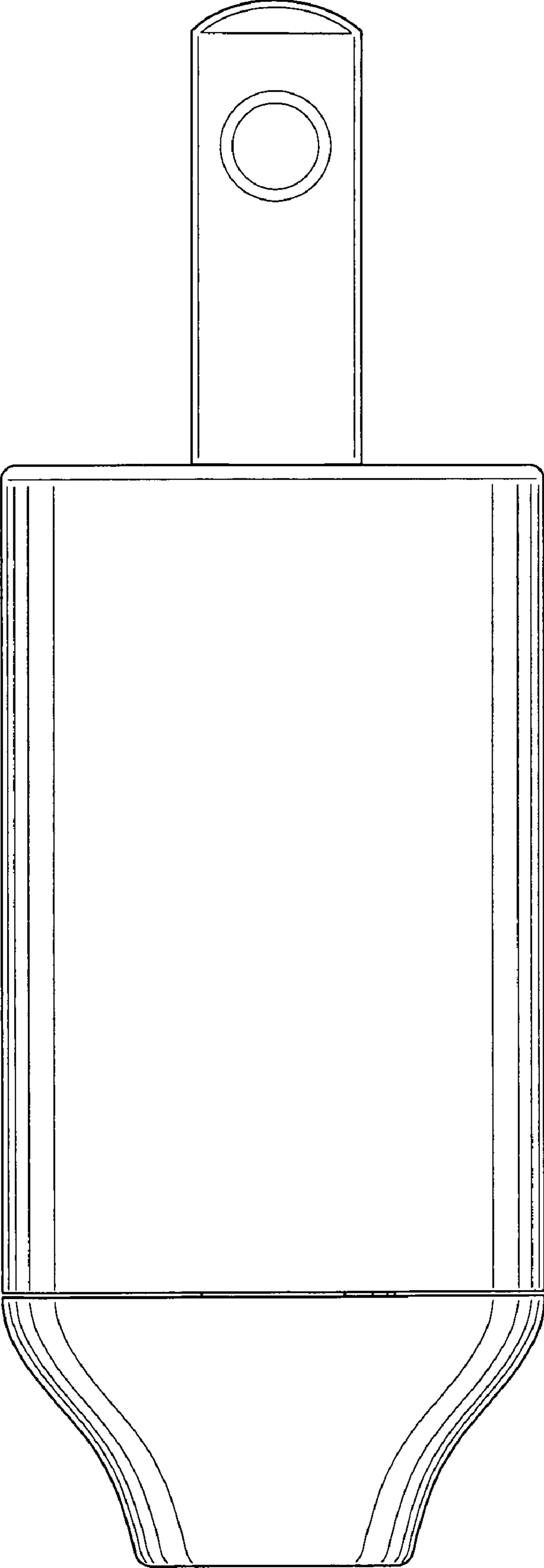


FIG. 7

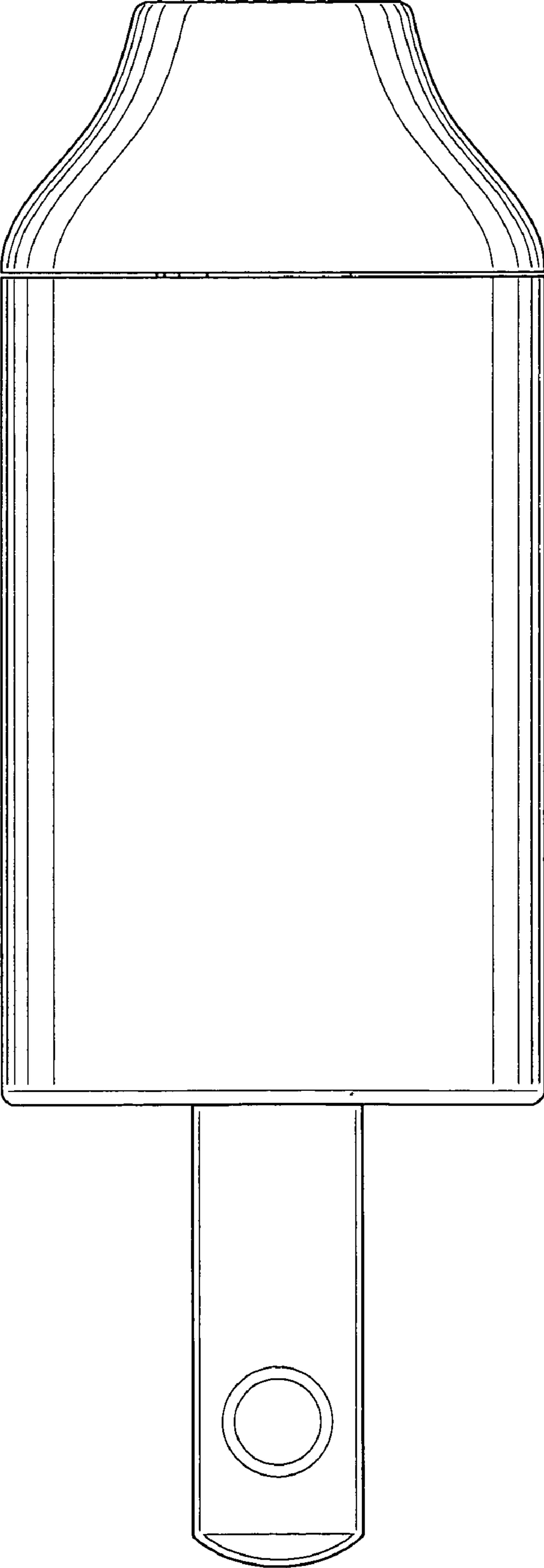


FIG. 8