



US00D611406S

(12) **United States Design Patent**  
**Oikawa et al.**

(10) **Patent No.:** **US D611,406 S**  
(45) **Date of Patent:** **\*\* Mar. 9, 2010**

(54) **PORTABLE SOLAR POWER SUPPLY**

(74) *Attorney, Agent, or Firm*—John L. Rogitz

(75) Inventors: **Yuji Oikawa**, Marina Del Ray, CA (US);  
**Isamu Arie**, Santa Monica, CA (US);  
**Hiroya Fujii**, Los Angeles, CA (US)

(57) **CLAIM**

The ornamental design for the portable solar power supply, as shown and described.

(73) Assignees: **Sony Corporation**, Tokyo (JP); **Sony Electronics Inc.**, Park Ridge, NJ (US)

**DESCRIPTION**

(\*\*) Term: **14 Years**

FIG. 1 is a perspective view of the portable solar power supply from the generator crank side, with the connection ring in the extended configuration;

(21) Appl. No.: **29/342,436**

FIG. 2 is a perspective view of the portable solar power supply with the connection ring in the housed configuration;

(22) Filed: **Aug. 25, 2009**

FIG. 3 is another perspective view of the portable solar power supply from one of the solar panel sides with the connection ring in the housed configuration;

(51) **LOC (9) Cl.** ..... **13-02**

(52) **U.S. Cl.** ..... **D13/102**

(58) **Field of Classification Search** ..... D13/102,  
D13/103, 110, 184, 199; 136/206, 244, 245;  
320/101

FIG. 4 is yet another perspective view of the portable solar power supply from one of the solar panel sides with the connection ring in the extended configuration, showing all three solar panels;

See application file for complete search history.

FIG. 5 is a top plan view of the portable solar power supply with the connection ring in the extended configuration shown in environmental use.

(56) **References Cited**

**U.S. PATENT DOCUMENTS**

D240,630 S *	7/1976	Matsutani	.....	D13/102
5,522,943 A *	6/1996	Spencer et al.	.....	136/245
6,476,311 B1 *	11/2002	Lee et al.	.....	136/244
D467,225 S *	12/2002	Sudo	.....	D13/102
D516,501 S *	3/2006	Ware, Jr.	.....	D13/102
D517,006 S *	3/2006	Bessmertny	.....	D13/102
7,388,348 B2 *	6/2008	Mattichak	.....	320/101

FIG. 6 is a bottom plan view of the portable solar power supply of FIG. 2;

FIG. 7 is a side elevational view of the generator crank side; and,

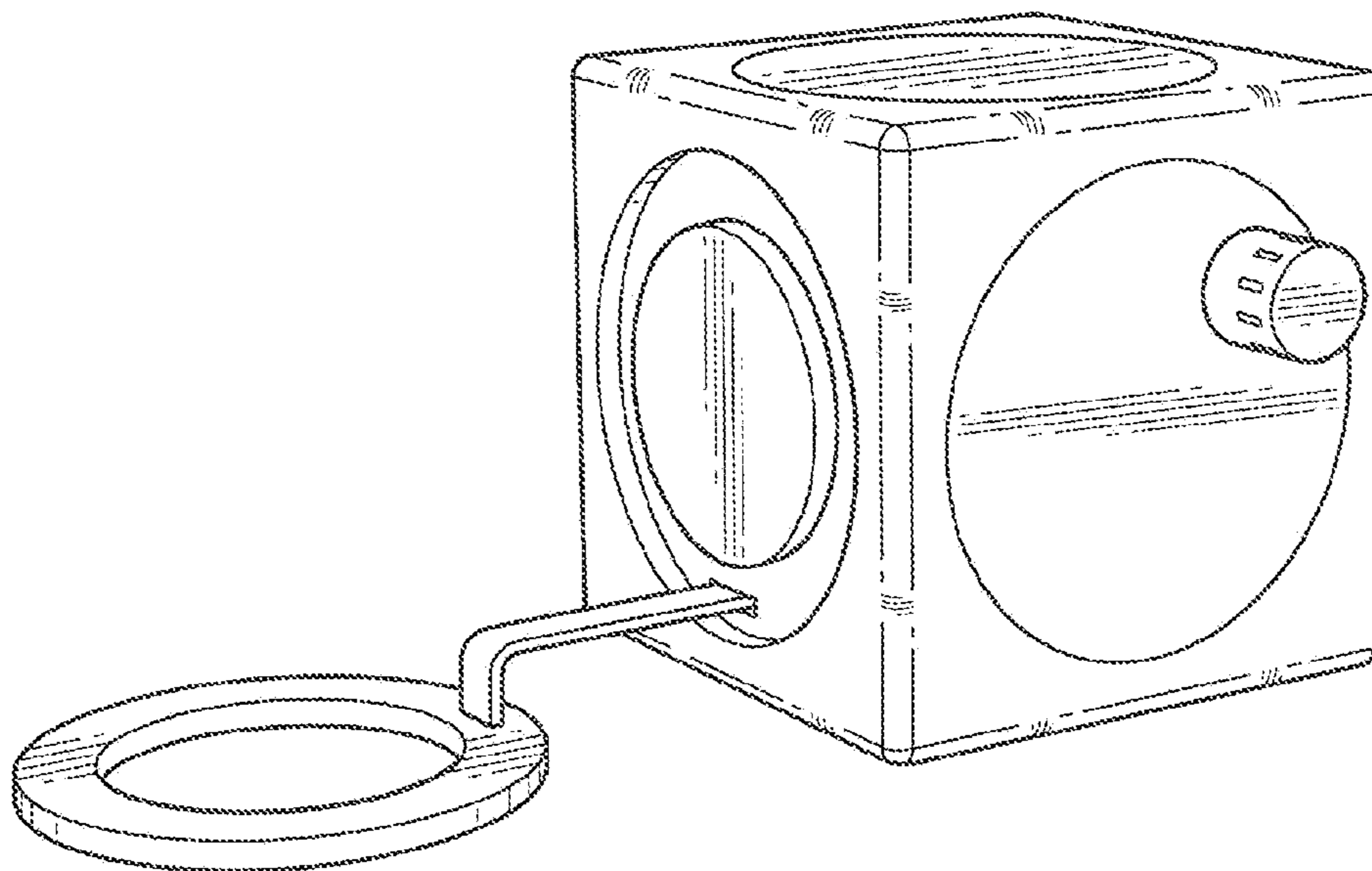
\* cited by examiner

FIG. 8 is a side elevational view of one of the solar panel sides.

The broken lines shown represent unclaimed subject matter and form no part of the claimed.

*Primary Examiner*—Prabhakar Deshmukh  
*Assistant Examiner*—Derrick Holland

**1 Claim, 3 Drawing Sheets**



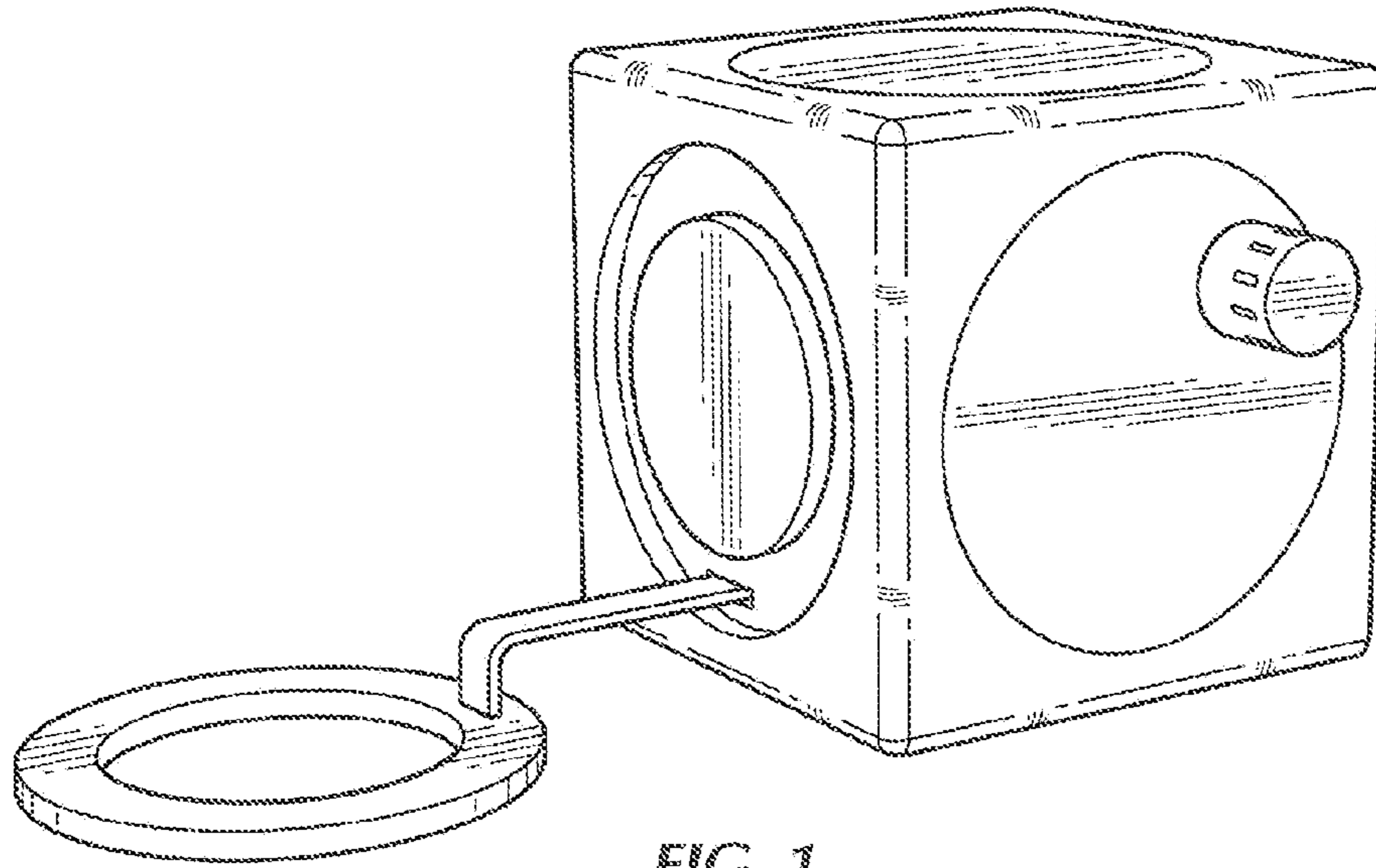


FIG. 1

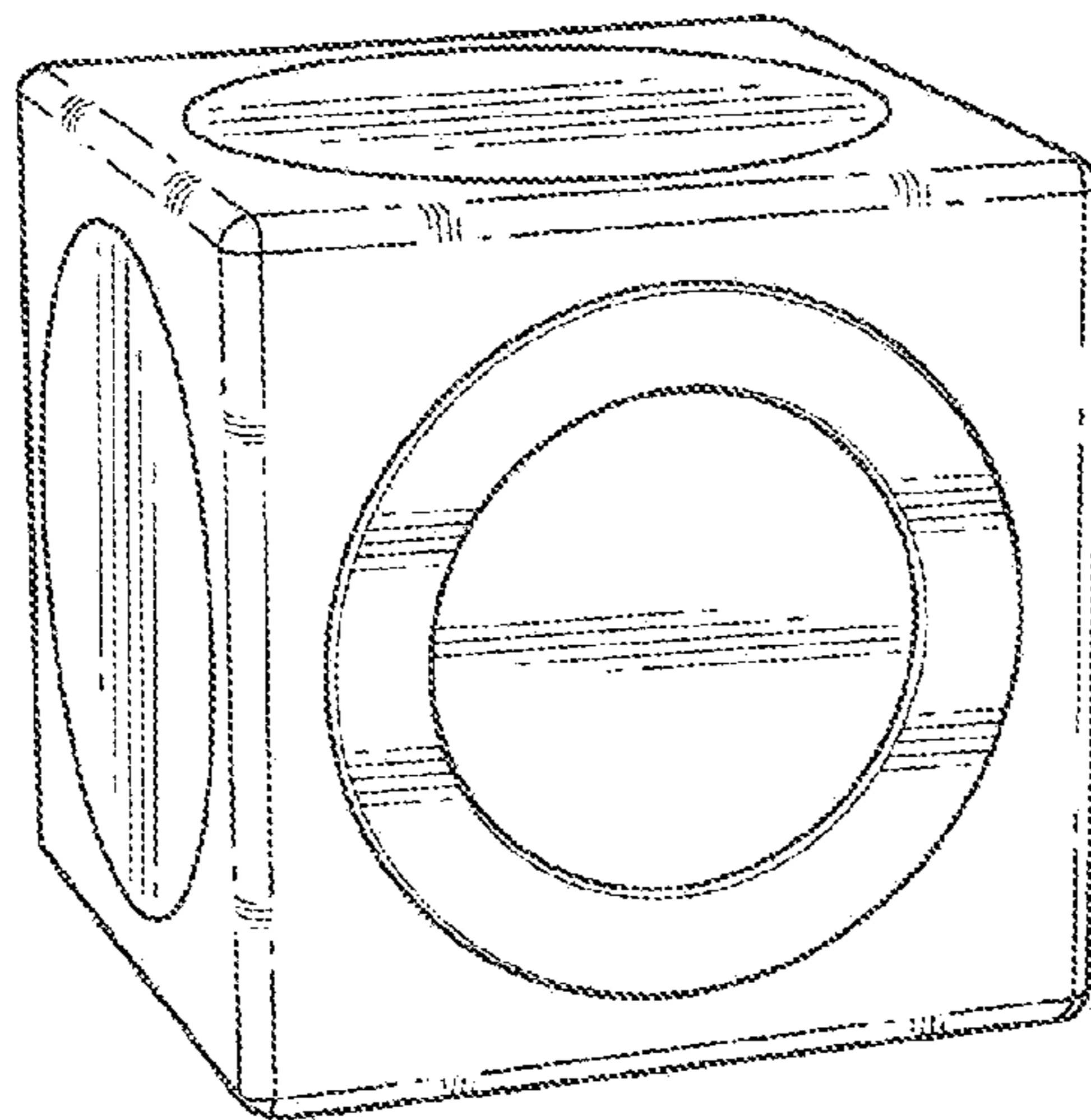


FIG. 2

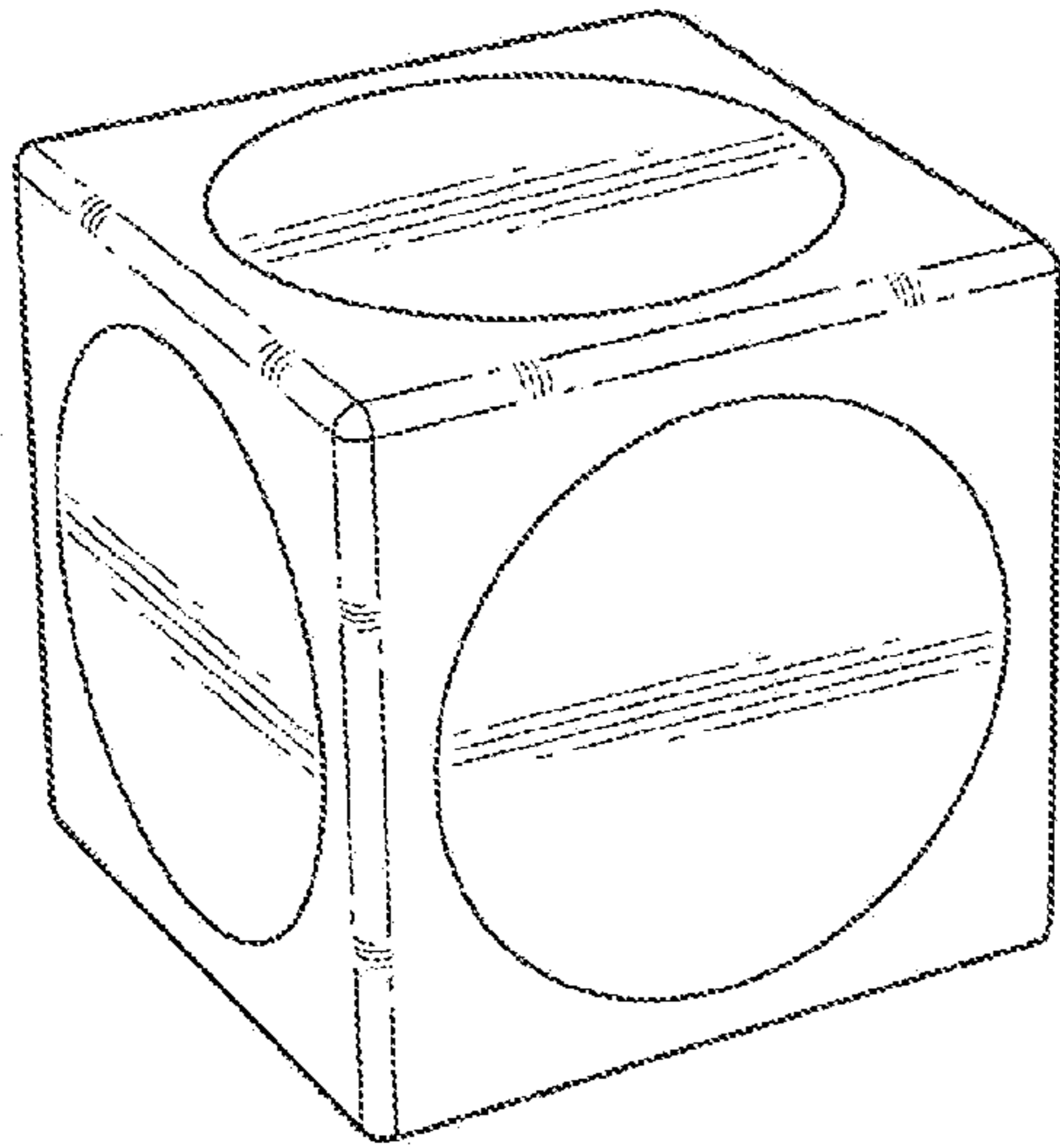


FIG. 3

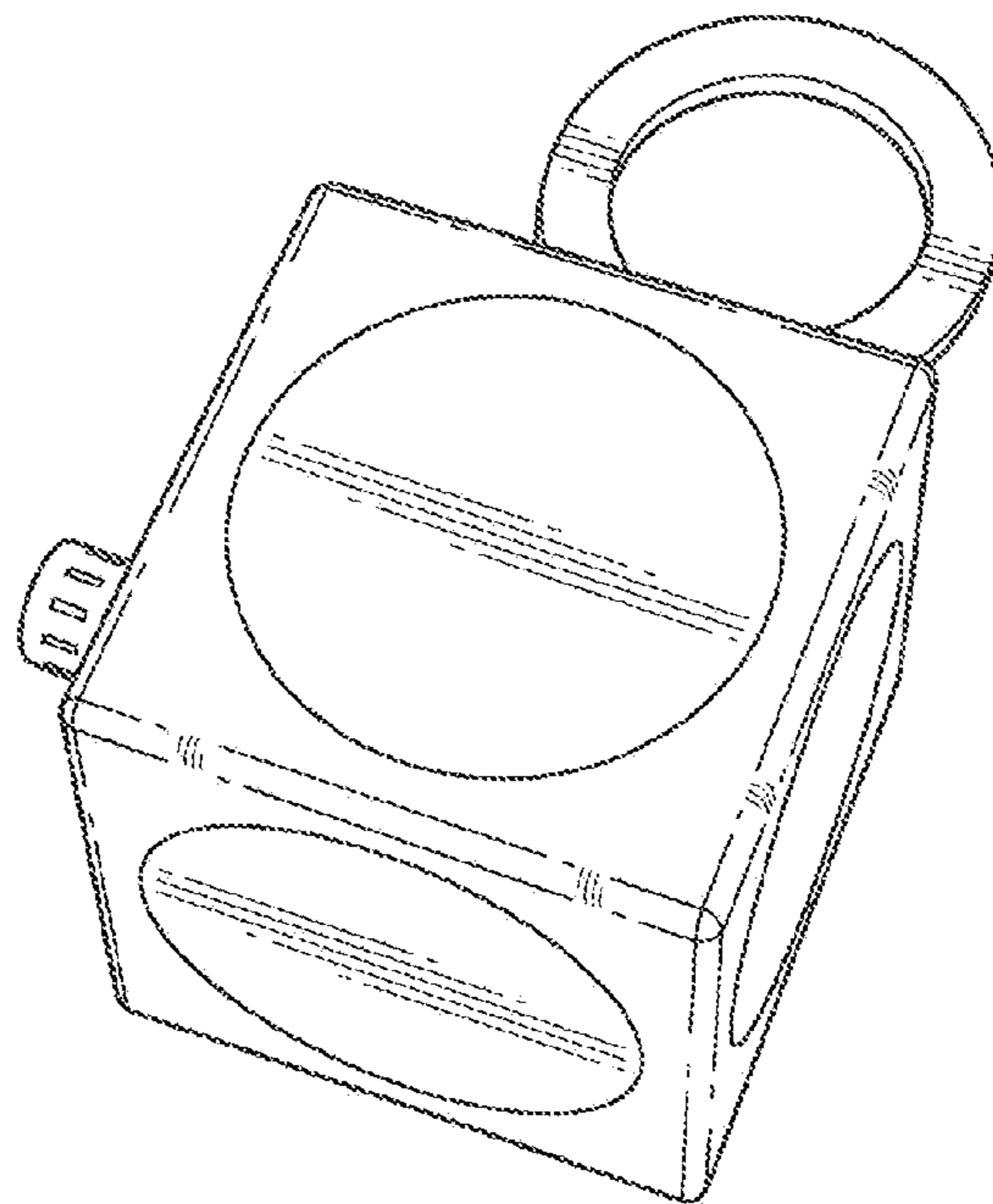


FIG. 4

