



US00D611405S

(12) **United States Design Patent**
Mackler

(10) **Patent No.:** **US D611,405 S**
(45) **Date of Patent:** **** Mar. 9, 2010**

(54) **SOLAR POWER GENERATION ASSEMBLY**

FOREIGN PATENT DOCUMENTS

(75) Inventor: **Laurence Mackler**, New York, NY (US)

WO WO 9736132 A 10/1997

(73) Assignee: **Solaire Generation LLC**, New York, NY (US)

(**) Term: **14 Years**

(21) Appl. No.: **29/339,638**

(22) Filed: **Jul. 2, 2009**

(51) **LOC (9) Cl.** **13-02**

(52) **U.S. Cl.** **D13/102**

(58) **Field of Classification Search** D13/102,
D13/101, 107, 184, 199; D25/56, 61, 68,
D25/134; 52/173.3; 126/569, 571, 600,
126/621, 623, 680, 906; 136/243–246, 251;
248/49, 346.01, 346.02

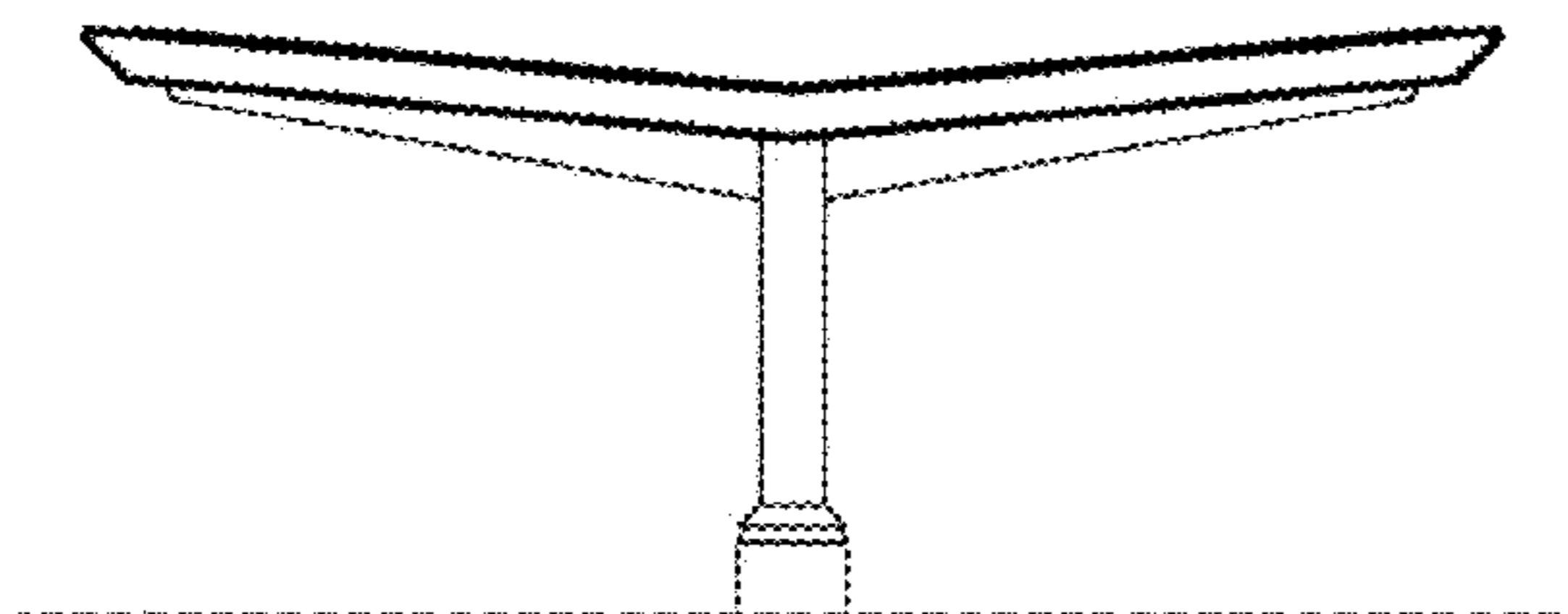
See application file for complete search history.

(56) **References Cited**

U.S. PATENT DOCUMENTS

4,132,074 A	1/1979	Wendel	
4,149,523 A *	4/1979	Boy-Marcotte et al.	126/589
4,245,895 A *	1/1981	Wildenrotter	359/848
4,281,369 A	7/1981	Batte	
4,319,310 A	3/1982	Kingsley	
4,384,317 A	5/1983	Stackpole	
4,429,178 A *	1/1984	Prideaux et al.	136/246
4,432,341 A	2/1984	Howe et al.	
4,453,327 A	6/1984	Clarke	
4,484,104 A	11/1984	O'Brien	
4,611,090 A *	9/1986	Catella et al.	136/251
4,636,577 A	1/1987	Peterpaul	
4,649,899 A *	3/1987	Moore	126/578
4,668,120 A	5/1987	Roberts	
4,742,291 A	5/1988	Bobier et al.	
4,832,001 A *	5/1989	Baer	126/579
4,835,918 A	6/1989	Dippel	

(Continued)



OTHER PUBLICATIONS

Notification of Transmittal Of The International Search Report And The Written Opinion Of The International Searching Authority, Or The Declaration, International Search Report and Written Opinion Of The International Searching Authority, for related International Application No. PCT/US2009/049625.

(Continued)

Primary Examiner—Prabhakar Deshmukh
Assistant Examiner—Derrick Holland
(74) *Attorney, Agent, or Firm*—Lovells LLP

(57) **CLAIM**

The ornamental design for a solar power generation assembly, as shown and described.

DESCRIPTION

FIG. 1 is a left side elevation view of a solar power generation assembly showing my new design;

FIG. 2 is a front elevation view thereof;

FIG. 3 is a left and bottom side perspective view thereof;

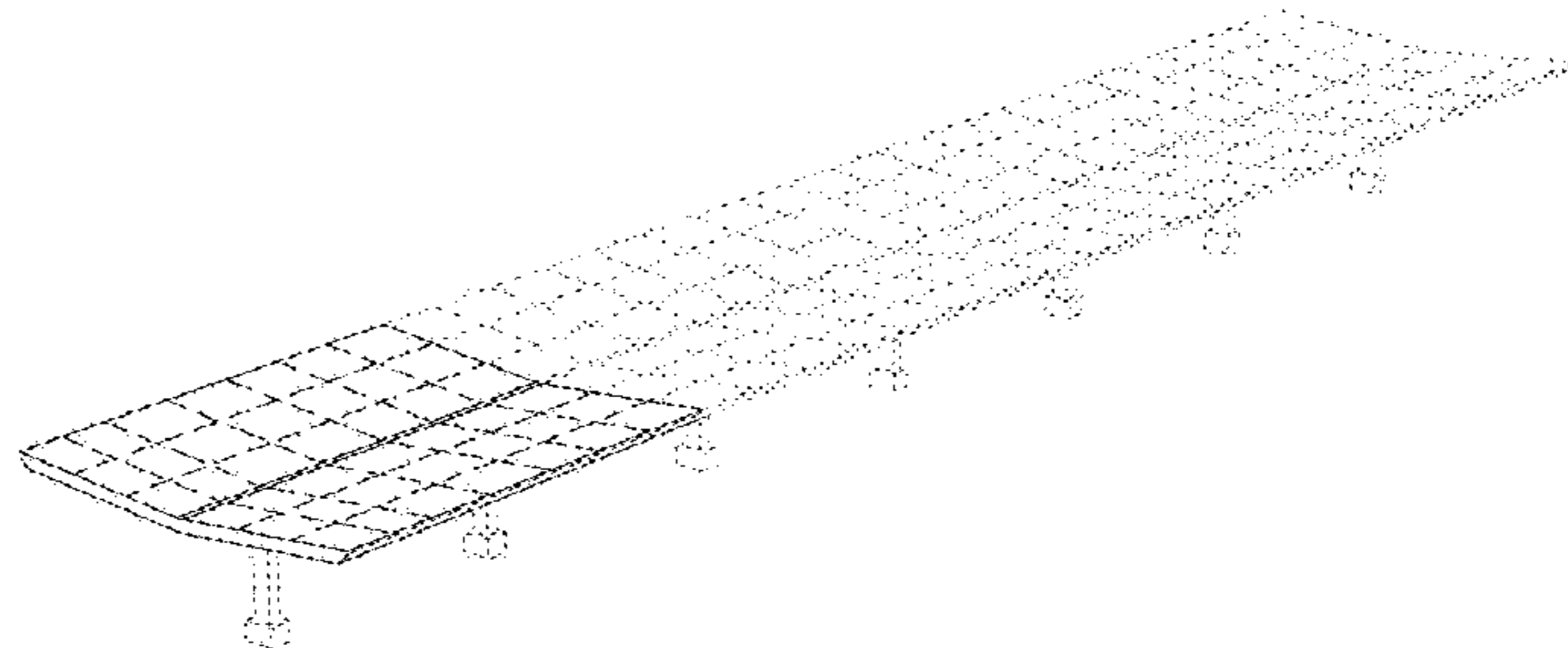
FIG. 4 is a left and front side perspective view thereof; and,

FIG. 5 is a top and left side perspective view thereof.

The broken lines shown represent unclaimed subject matter and form no part of the claimed design.

The broken lines immediately adjacent to the claimed areas in the views represent the boundaries of the design. None of the broken lines form any part of the claimed design.

1 Claim, 5 Drawing Sheets



US D611,405 S

Page 2

U.S. PATENT DOCUMENTS

4,841,278	A	6/1989	Tezuka et al.				
4,867,133	A	9/1989	Sadler				
4,966,631	A	10/1990	Matlin et al.				
4,989,124	A	1/1991	Shappell				
5,228,924	A	7/1993	Barker et al.				
D353,129	S *	12/1994	Ricaud et al.	D13/102		
5,612,741	A	3/1997	Loban et al.				
5,807,440	A	9/1998	Kubota et al.				
D408,554	S	4/1999	Dinwoodie				
5,900,850	A	5/1999	Bailey et al.				
6,046,401	A	4/2000	McCabe				
6,049,035	A	4/2000	Tsuri et al.				
D425,013	S *	5/2000	Lai	D13/102		
6,111,189	A	8/2000	Garvison				
6,260,319	B1	7/2001	Colomban				
6,263,601	B1	7/2001	Emert				
D452,328	S	12/2001	O'Brien				
D456,085	S	4/2002	O'Brien				
6,455,767	B1	9/2002	Muller				
6,495,750	B1	12/2002	Dinwoodie				
6,518,493	B1	2/2003	Murakami et al.				
6,572,173	B2	6/2003	Muller				
6,784,357	B1	8/2004	Wang				
D505,113	S *	5/2005	Lam	D13/107		
6,930,237	B2	8/2005	Mattiuazzo				
D511,576	S	11/2005	Shingleton et al.				
D535,584	S	1/2007	Garrett				
7,227,078	B2	6/2007	Jongerden et al.				
7,237,360	B2	7/2007	Moncho et al.				
D564,443	S	3/2008	Moore				
D565,505	S *	4/2008	Shugar et al.	D13/102		
D571,716	S	6/2008	Anderson				
D584,223	S	1/2009	Cooper				
7,501,713	B2	3/2009	Fein et al.				
2005/0035244	A1	2/2005	Conger				
2005/0045224	A1	3/2005	Lyden				
2005/0109384	A1	5/2005	Shingleton et al.				
2005/0241246	A1	11/2005	Sinha et al.				
2006/0011194	A1	1/2006	Hensley et al.				
2006/0090858	A1	5/2006	Heidenreich				
2006/0101663	A1	5/2006	Baker				
2006/0207192	A1	9/2006	Durham				
2006/0225776	A1	10/2006	Nemazi et al.				
2007/0212935	A1	9/2007	Lenox				
2008/0308091	A1	12/2008	Corio				
2009/0050194	A1	2/2009	Noble et al.				

OTHER PUBLICATIONS

Notification of Transmittal Of The International Search Report And The Written Opinion Of The International Searching Authority, Or The Declaration, International Search Report and Written Opinion Of The International Searching Authority, for related International Application No. PCT/US2009/049595.

* cited by examiner

FIG. 1

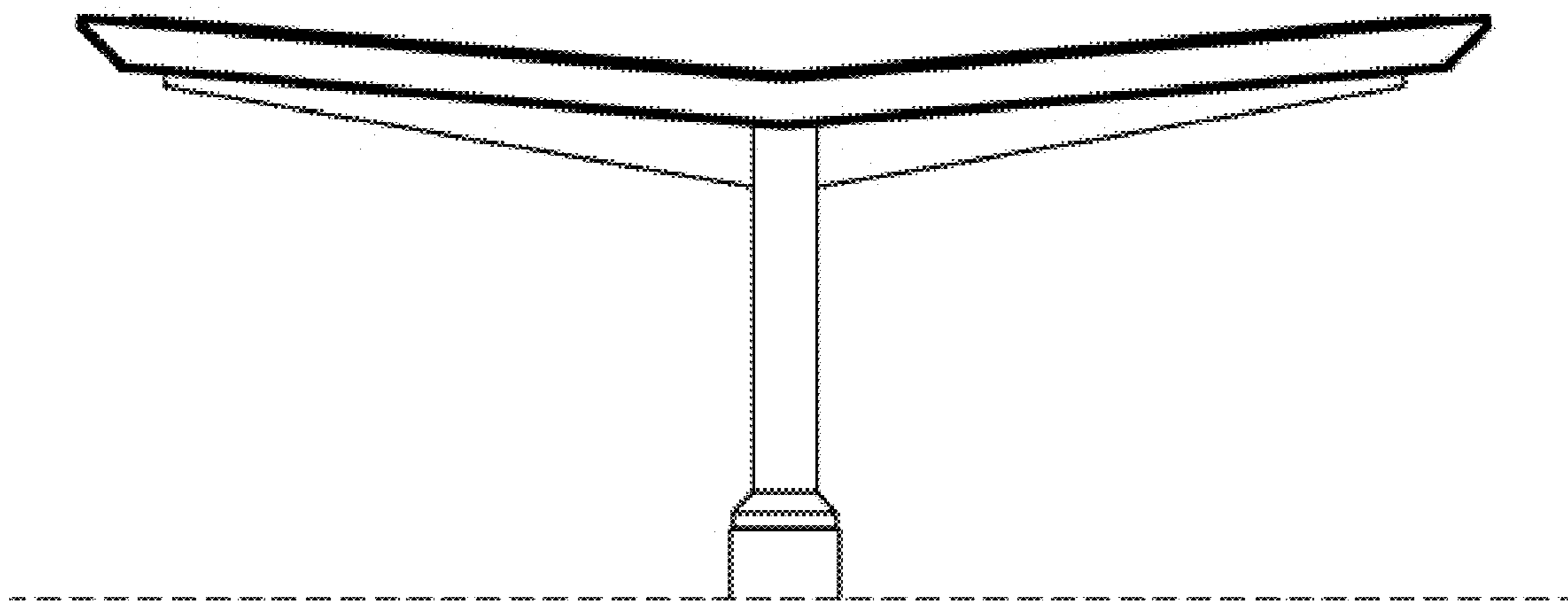


FIG. 2

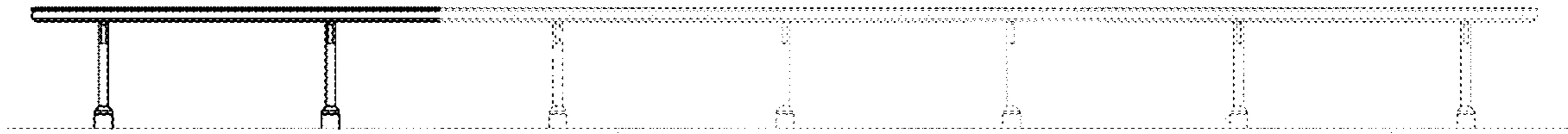


FIG. 3

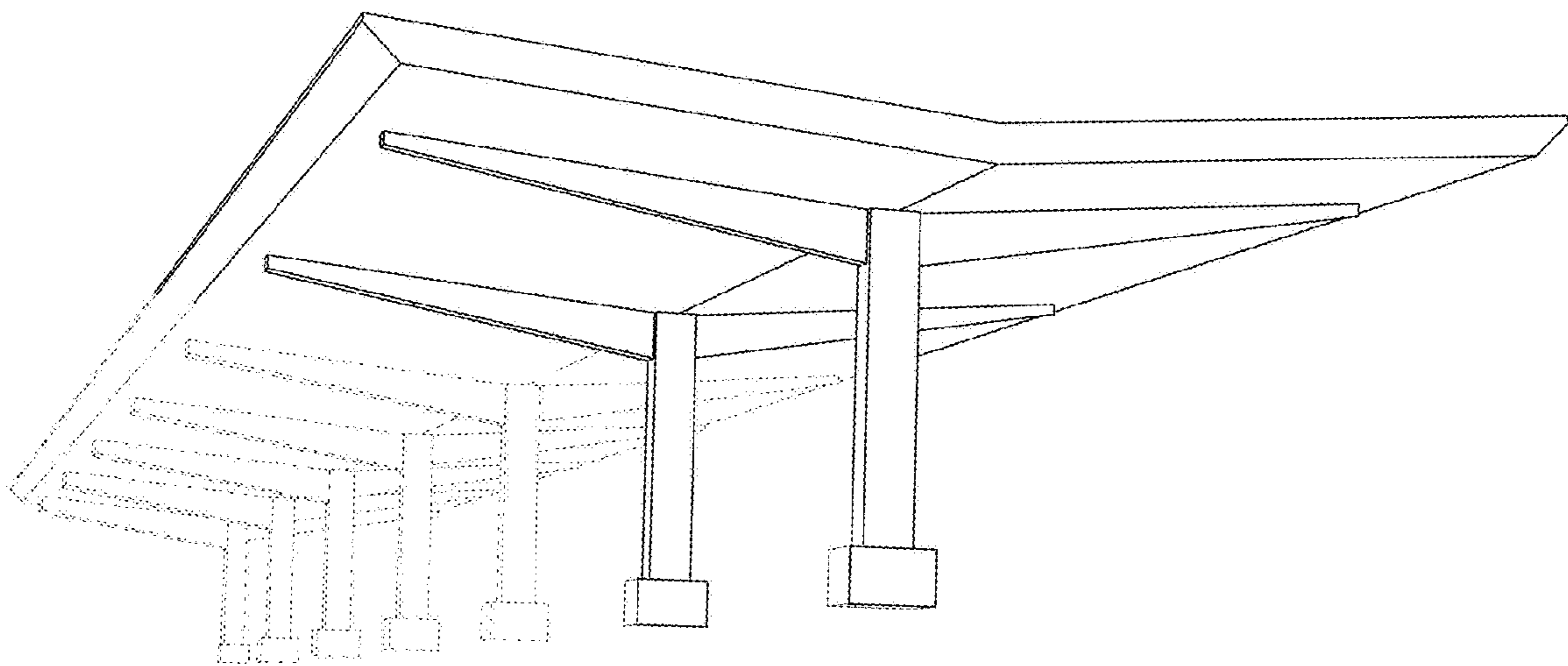


FIG. 4

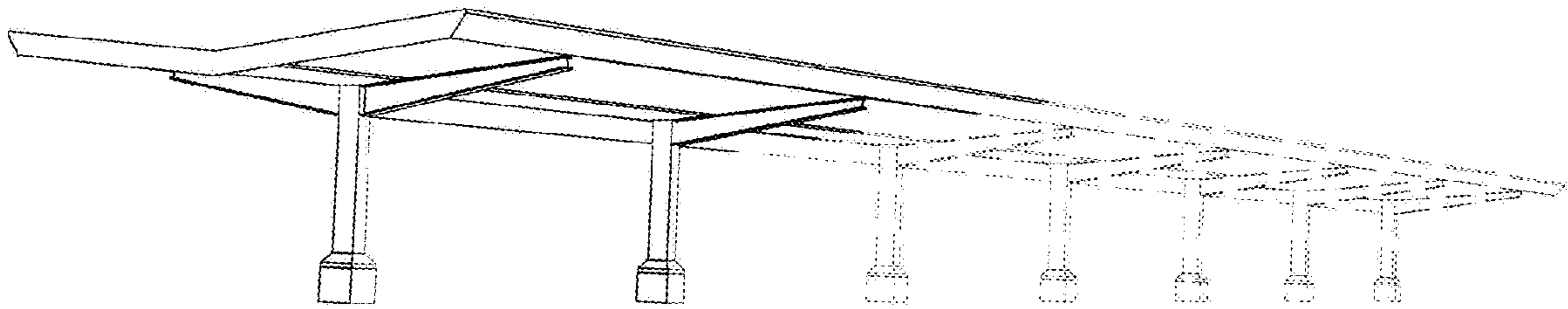


FIG. 5

