



US00D611404S

(12) **United States Design Patent**  
**Mackler**

(10) **Patent No.:** **US D611,404 S**  
(45) **Date of Patent:** **\*\* Mar. 9, 2010**

- (54) **SOLAR POWER GENERATION ASSEMBLY**
- (75) Inventor: **Laurence Mackler**, New York, NY (US)
- (73) Assignee: **Solaire Generation LLC**, New York, NY (US)
- (\*\*) Term: **14 Years**
- (21) Appl. No.: **29/339,637**
- (22) Filed: **Jul. 2, 2009**

- (51) **LOC (9) Cl.** ..... **13-02**
- (52) **U.S. Cl.** ..... **D13/102**
- (58) **Field of Classification Search** ..... D13/102,  
D13/101, 107, 184, 199; D25/56, 61, 68,  
D25/134; 52/173.3; 126/569, 571, 600,  
126/621, 623, 680, 906; 136/243-246, 251;  
248/49, 346.01, 346.02

See application file for complete search history.

(56) **References Cited**

U.S. PATENT DOCUMENTS

- 4,132,074 A 1/1979 Wendel
- 4,149,523 A \* 4/1979 Boy-Marcotte et al. .... 126/589
- 4,245,895 A \* 1/1981 Wildenrotter ..... 359/848
- 4,281,369 A 7/1981 Batte
- 4,319,310 A 3/1982 Kingsley
- 4,384,317 A 5/1983 Stackpole
- 4,429,178 A \* 1/1984 Prideaux et al. .... 136/246
- 4,432,341 A 2/1984 Howe et al.
- 4,453,327 A 6/1984 Clarke
- 4,484,104 A 11/1984 O'Brien
- 4,611,090 A \* 9/1986 Catella et al. .... 136/251
- 4,636,577 A 1/1987 Peterpaul
- 4,649,899 A \* 3/1987 Moore ..... 126/578
- 4,668,120 A 5/1987 Roberts
- 4,742,291 A 5/1988 Bobier et al.

- 4,832,001 A \* 5/1989 Baer ..... 126/579
- 4,835,918 A 6/1989 Dippel
- 4,841,278 A 6/1989 Tezuka et al.

(Continued)

FOREIGN PATENT DOCUMENTS

DE 9736132 A 10/1997

OTHER PUBLICATIONS

Notification Of Transmittal Of The International Search Report And The Written Opinion Of The International Searching Authority, Or The Declaration, International Search Report and Written Opinion Of The International Searching Authority, for related International Application No. PCT/US2009/049625.

(Continued)

*Primary Examiner*—Prabhakar Deshmukh  
*Assistant Examiner*—Derrick Holland  
(74) *Attorney, Agent, or Firm*—Lovells LLP

(57) **CLAIM**

The ornamental design for a solar power generation assembly, as shown and described.

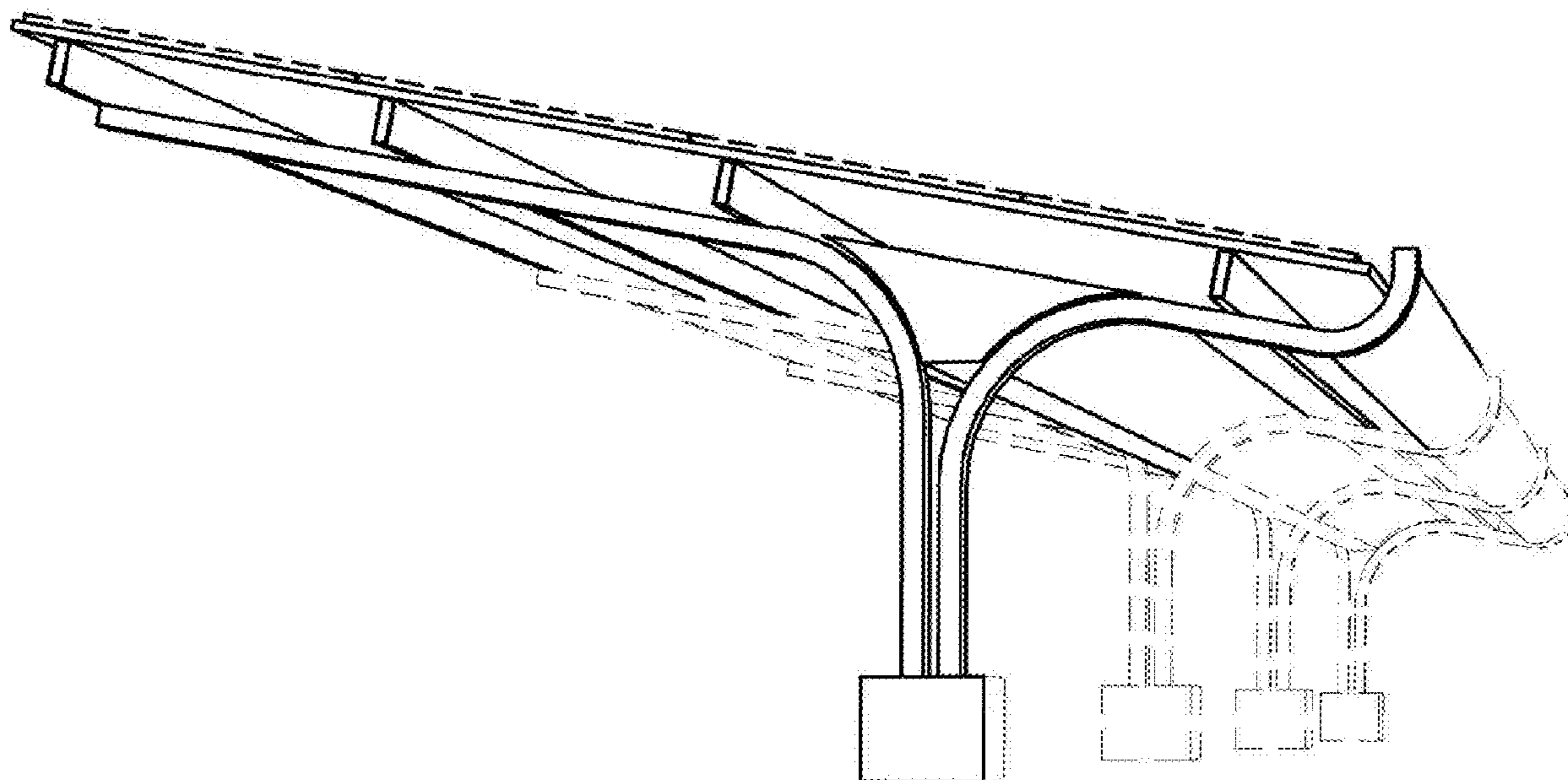
**DESCRIPTION**

FIG. 1 is a front and left side perspective view of a solar power generation assembly showing my new design;  
FIG. 2 is a rear and left side perspective view thereof; and,  
FIG. 3 is a top and front side perspective view thereof.

The broken lines shown represent unclaimed subject matter and form no part of the claimed design.

The broken lines immediately adjacent to the claimed areas in the views represent the boundaries of the design. None of the broken lines form any part of the claimed design.

**1 Claim, 3 Drawing Sheets**



# US D611,404 S

Page 2

## U.S. PATENT DOCUMENTS

4,867,133 A 9/1989 Sadler  
4,966,631 A 10/1990 Matlin et al.  
4,989,124 A 1/1991 Shappell  
5,228,924 A 7/1993 Barker et al.  
D353,129 S \* 12/1994 Ricaud et al. .... D13/102  
5,612,741 A 3/1997 Loban et al.  
5,807,440 A 9/1998 Kubota et al.  
D408,554 S 4/1999 Dinwoodie  
5,900,850 A 5/1999 Bailey et al.  
6,046,401 A 4/2000 McCabe  
6,049,035 A 4/2000 Tsuru et al.  
D425,013 S \* 5/2000 Lai ..... D13/102  
6,111,189 A 8/2000 Garvison  
6,260,319 B1 7/2001 Colomban  
6,263,601 B1 7/2001 Emert  
D452,328 S 12/2001 O'Brien  
D456,085 S 4/2002 O'Brien  
6,455,767 B1 9/2002 Muller  
6,495,750 B1 12/2002 Dinwoodie  
6,518,493 B1 2/2003 Murakami et al.  
6,572,173 B2 6/2003 Muller  
6,784,357 B1 8/2004 Wang  
D505,113 S \* 5/2005 Lam ..... D13/107  
6,930,237 B2 8/2005 Mattiuzzo  
D511,576 S 11/2005 Shingleton et al.  
D535,584 S 1/2007 Garrett

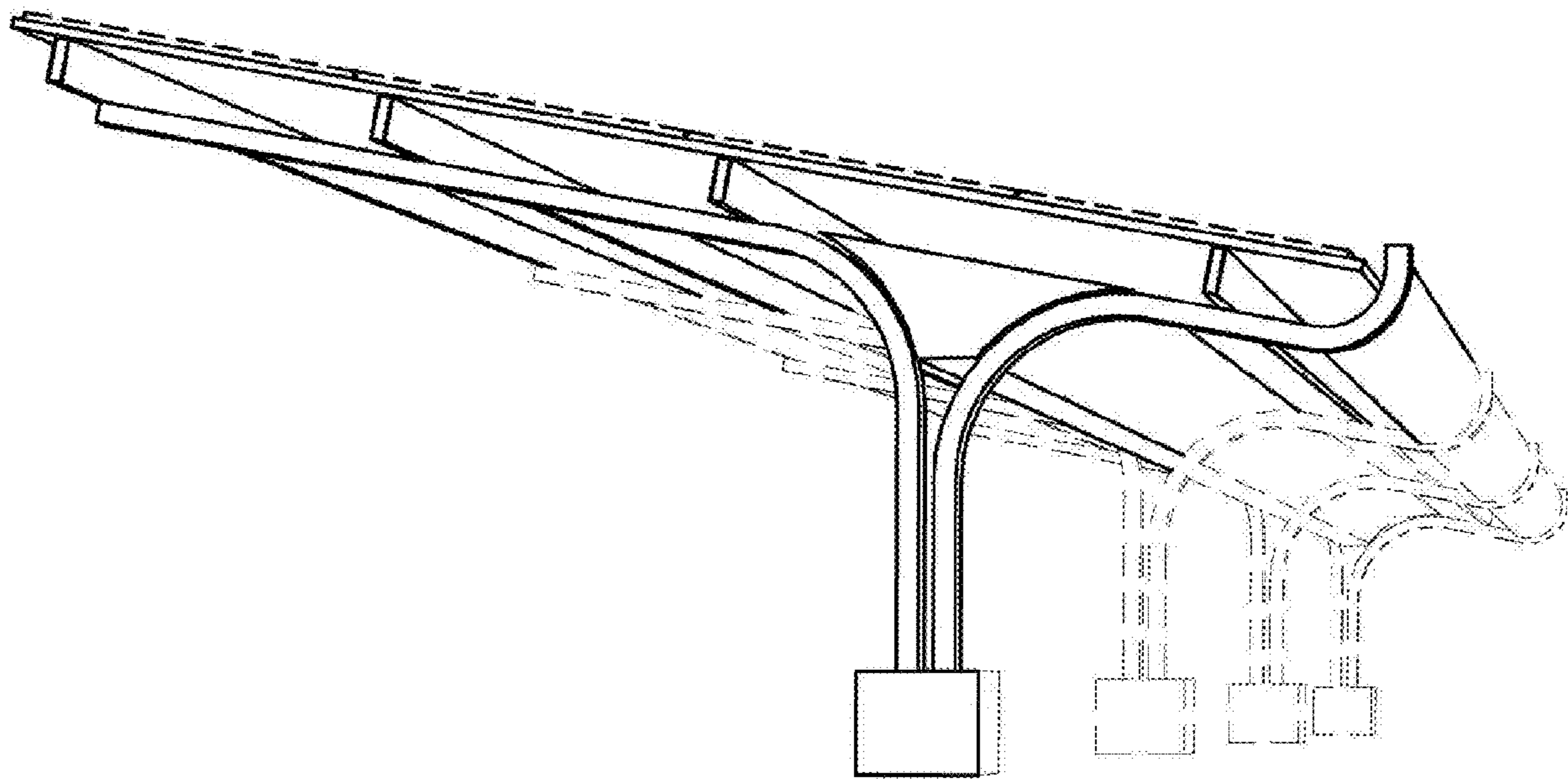
7,227,078 B2 6/2007 Jongerden et al.  
7,237,360 B2 7/2007 Moncho et al.  
D564,443 S 3/2008 Moore  
D565,505 S \* 4/2008 Shugar et al. .... D13/102  
D571,716 S 6/2008 Anderson  
D584,223 S 1/2009 Cooper  
7,501,713 B2 3/2009 Fein et al.  
2005/0035244 A1 2/2005 Conger  
2005/0045224 A1 3/2005 Lyden  
2005/0109384 A1 5/2005 Shingleton et al.  
2005/0241246 A1 11/2005 Sinha et al.  
2006/0011194 A1 1/2006 Hensley et al.  
2006/0090858 A1 5/2006 Heidenreich  
2006/0101683 A1 5/2006 Baker  
2006/0207192 A1 9/2006 Durham  
2006/0225776 A1 10/2006 Nemazi et al.  
2007/0212935 A1 9/2007 Lenox  
2008/0308091 A1 12/2008 Corio  
2009/0050194 A1 2/2009 Noble et al.

## OTHER PUBLICATIONS

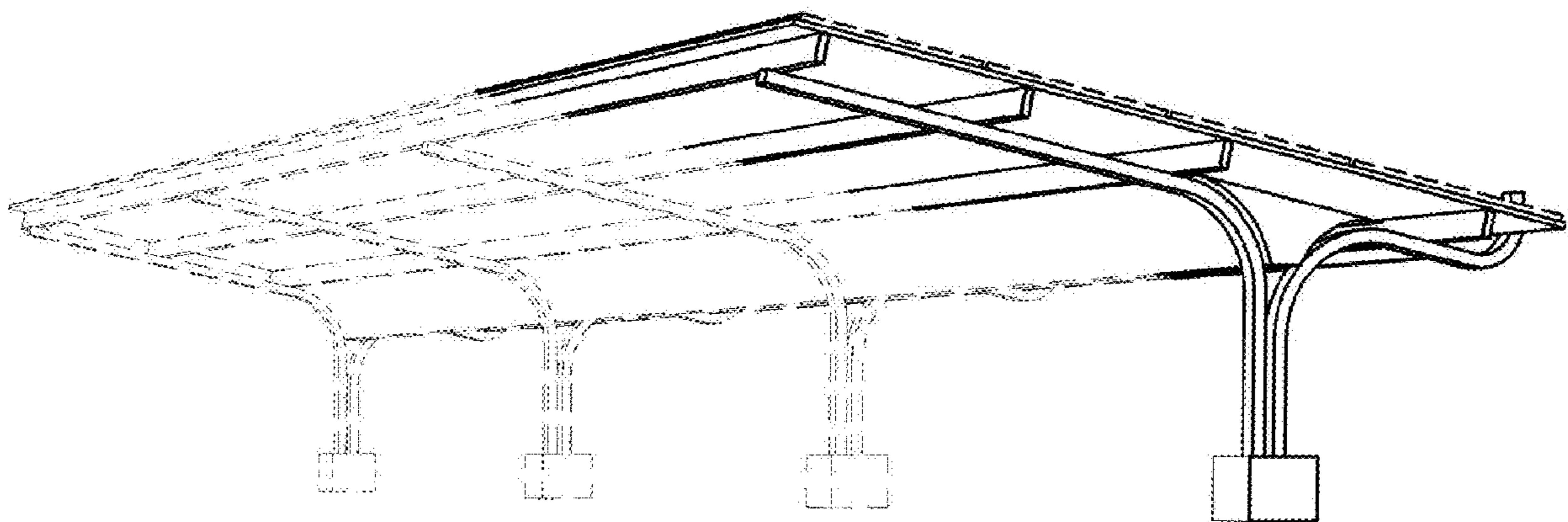
Notification Of Transmittal Of The International Search Report And The Written Opinion Of The International Searching Authority, Or The Declaration, International Search Report and Written Opinion Of The International Searching Authority, for related International Application No. PCT/US2009/049595.

\* cited by examiner

FIG. 1



**FIG. 2**





**FIG. 3**

