



US00D611400S

(12) **United States Design Patent**
Suge et al.

(10) **Patent No.:** **US D611,400 S**
(45) **Date of Patent:** **** Mar. 9, 2010**

(54) **AIRCRAFT SEAT**

(75) Inventors: **Yasutaka Suge**, Tokyo (JP); **Yuichi Akutsu**, Tokyo (JP); **Manabu Matsumoto**, Tokyo (JP); **Kosuke Wakao**, Tokyo (JP)

(73) Assignee: **Japan Airlines International Co., Ltd.**, Tokyo (JP)

(**) Term: **14 Years**

(21) Appl. No.: **29/309,597**

(22) Filed: **Sep. 9, 2008**

(30) **Foreign Application Priority Data**

Mar. 19, 2008 (JP) D2008-006845

(51) **LOC (9) Cl.** **12-07**

(52) **U.S. Cl.** **D12/345**

(58) **Field of Classification Search** D12/345, D12/423, 44, 42, 319, 414.1, 415, 416, 421, D12/424, 426, 426.1, 419; D6/356, 511, D6/332, 336, 337, 338, 492; 224/29.5, 405; 296/146.16, 24.34; 244/118.1, 118.5, 118.6, 244/119, 122 AH

See application file for complete search history.

(56) **References Cited**

U.S. PATENT DOCUMENTS

D237,166 S * 10/1975 Wallace D12/419
D421,948 S * 3/2000 Dryburgh et al. D12/195
6,116,674 A * 9/2000 Allison et al. 296/37.8
D439,425 S * 3/2001 Park et al. D6/356

6,347,590 B1 * 2/2002 D'Annunzio et al. 108/44
D493,294 S * 7/2004 Newson D6/356
D510,816 S * 10/2005 Lee D6/356
7,007,993 B2 * 3/2006 Kubota 296/24.34
D526,144 S * 8/2006 Luebke D6/500
7,104,580 B2 * 9/2006 Clark et al. 296/24.32
7,258,381 B2 * 8/2007 Sturt et al. 296/24.34
7,429,068 B2 * 9/2008 Busha et al. 296/24.34
2008/0007079 A1 * 1/2008 Sturt et al. 296/24.34

* cited by examiner

Primary Examiner—Cathron C Brooks

Assistant Examiner—Kevin K Rudzinski

(74) *Attorney, Agent, or Firm*—Rader, Fishman & Grauer, PLLC

(57) **CLAIM**

The ornamental design for an aircraft seat, as shown and described.

DESCRIPTION

FIG. 1 is a perspective view of an aircraft seat showing our new design;

FIG. 2 is a front elevational view thereof;

FIG. 3 is a left side elevational view thereof;

FIG. 4 is a right side elevational view thereof;

FIG. 5 is a top plan view thereof; and,

FIG. 6 is a bottom plan view thereof.

The broken lines shown in the drawings are used to illustrate environmental structure and form no part of the claimed design.

1 Claim, 6 Drawing Sheets

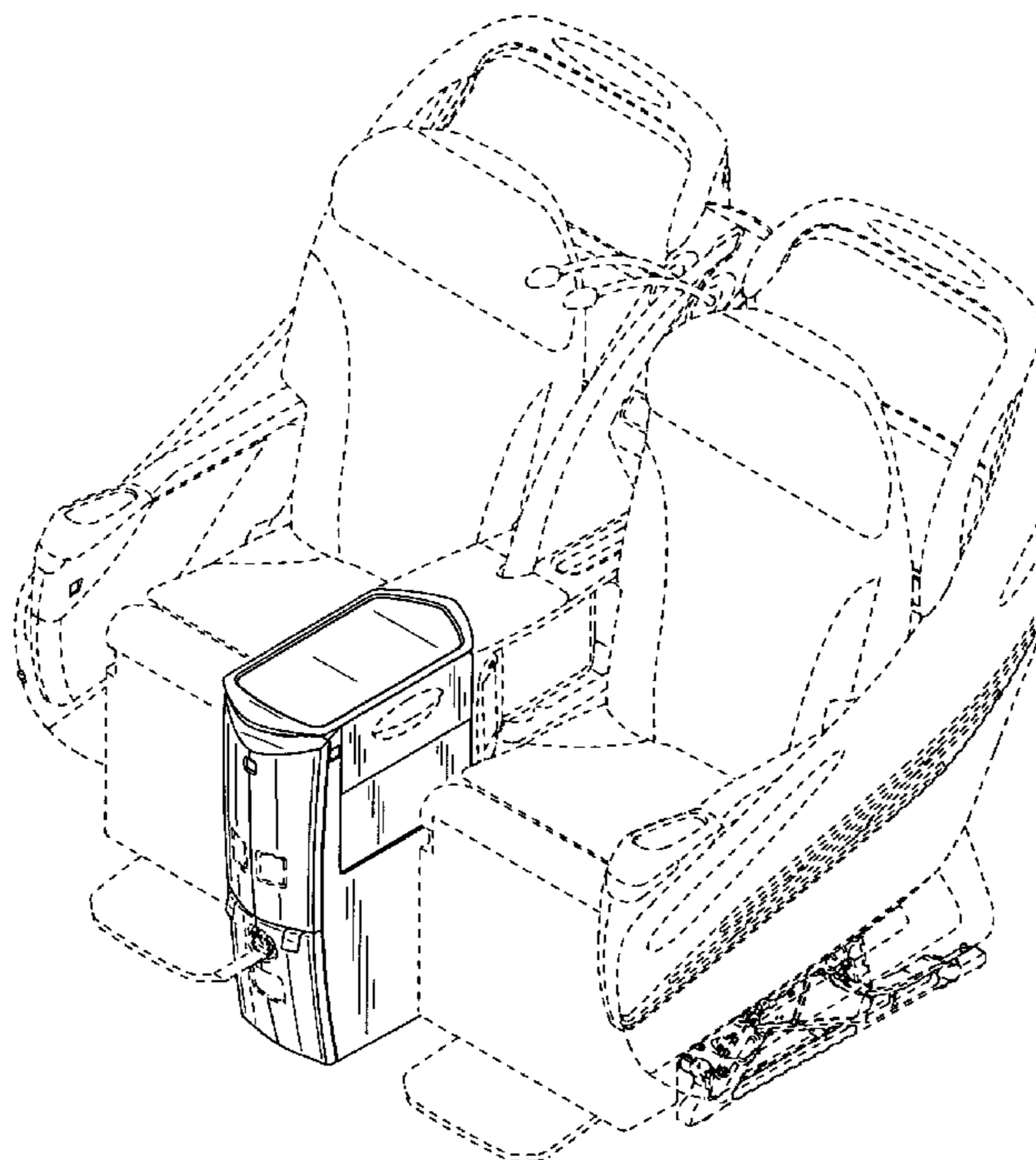
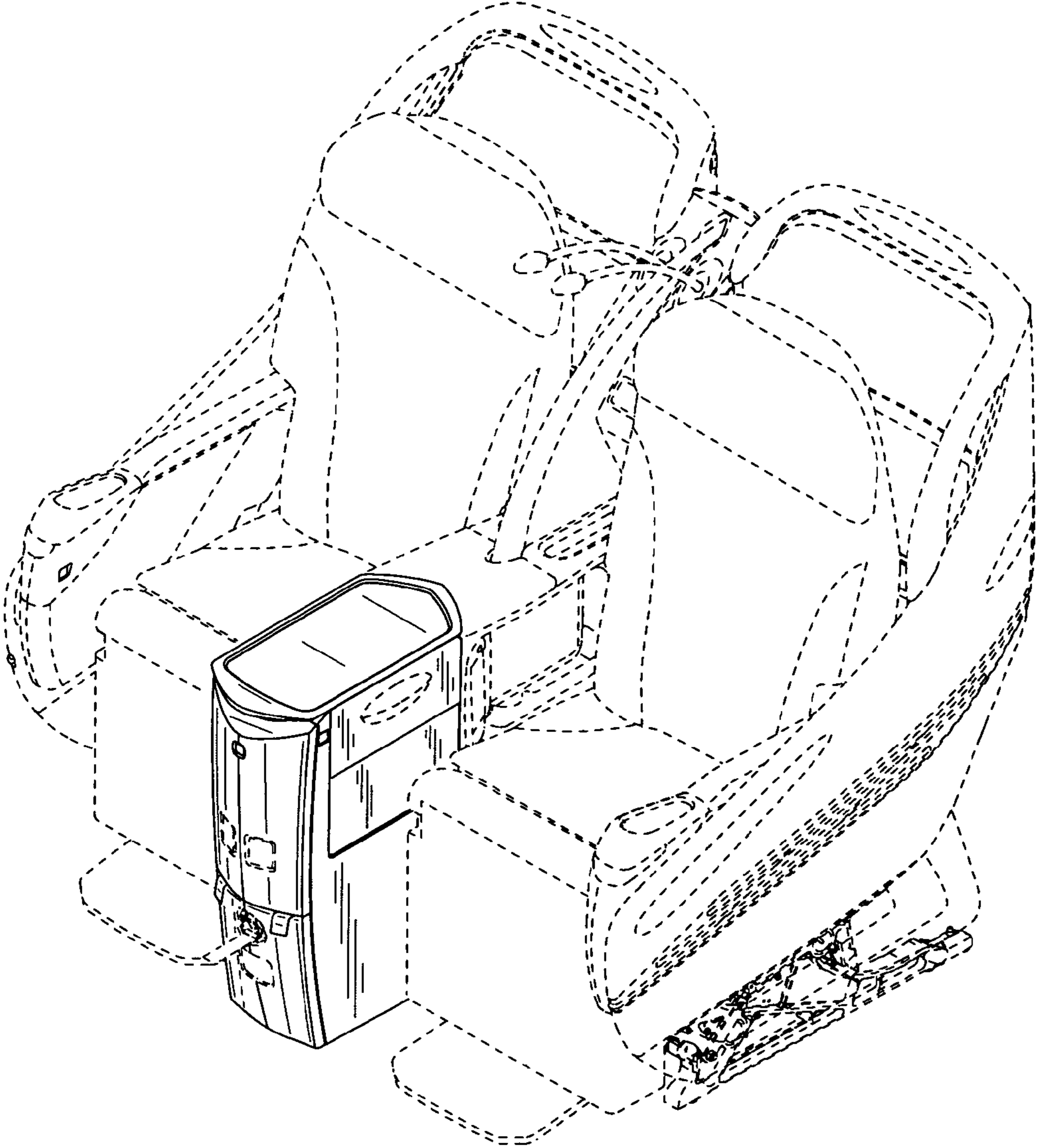


FIG.1



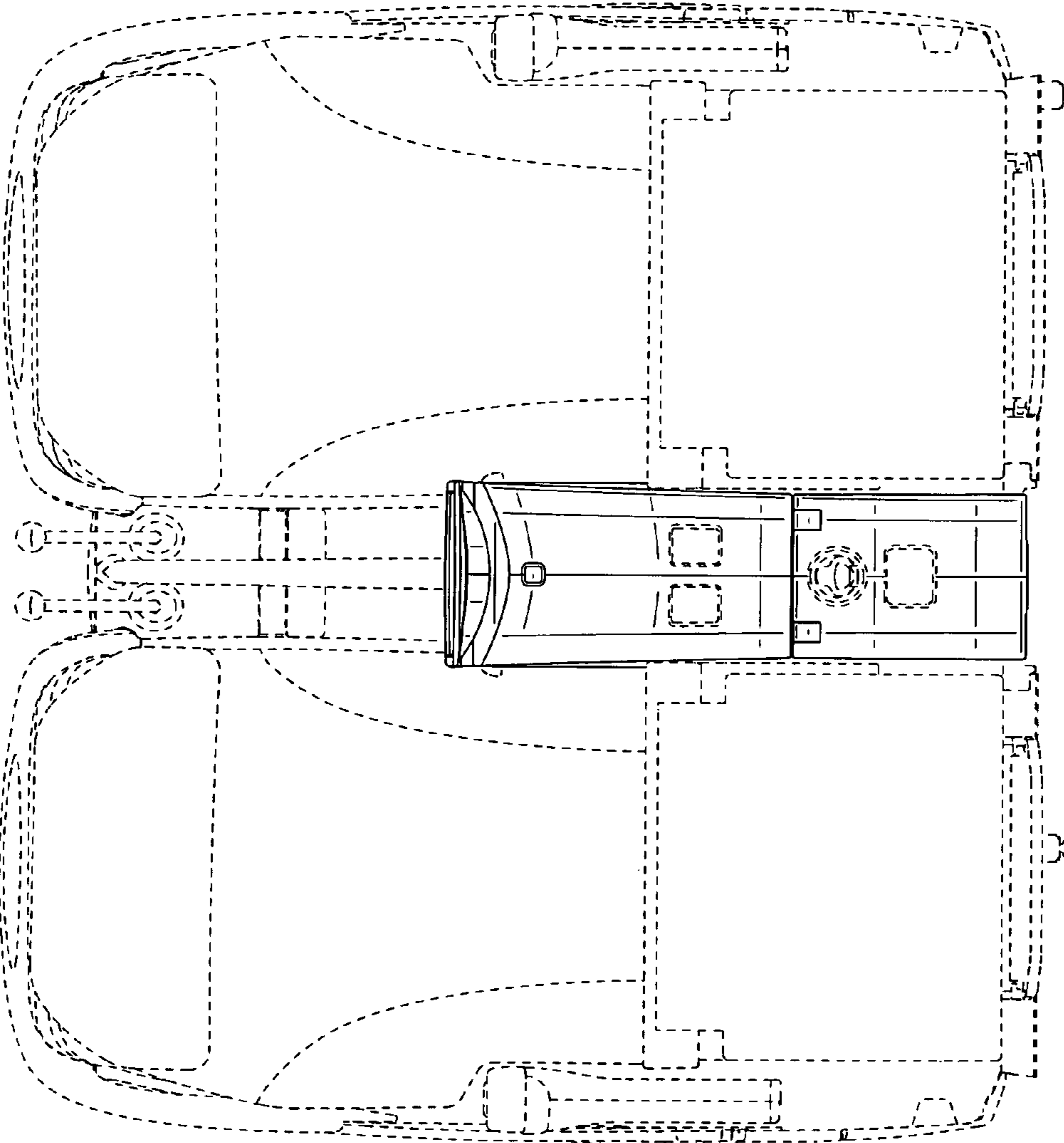


FIG.2

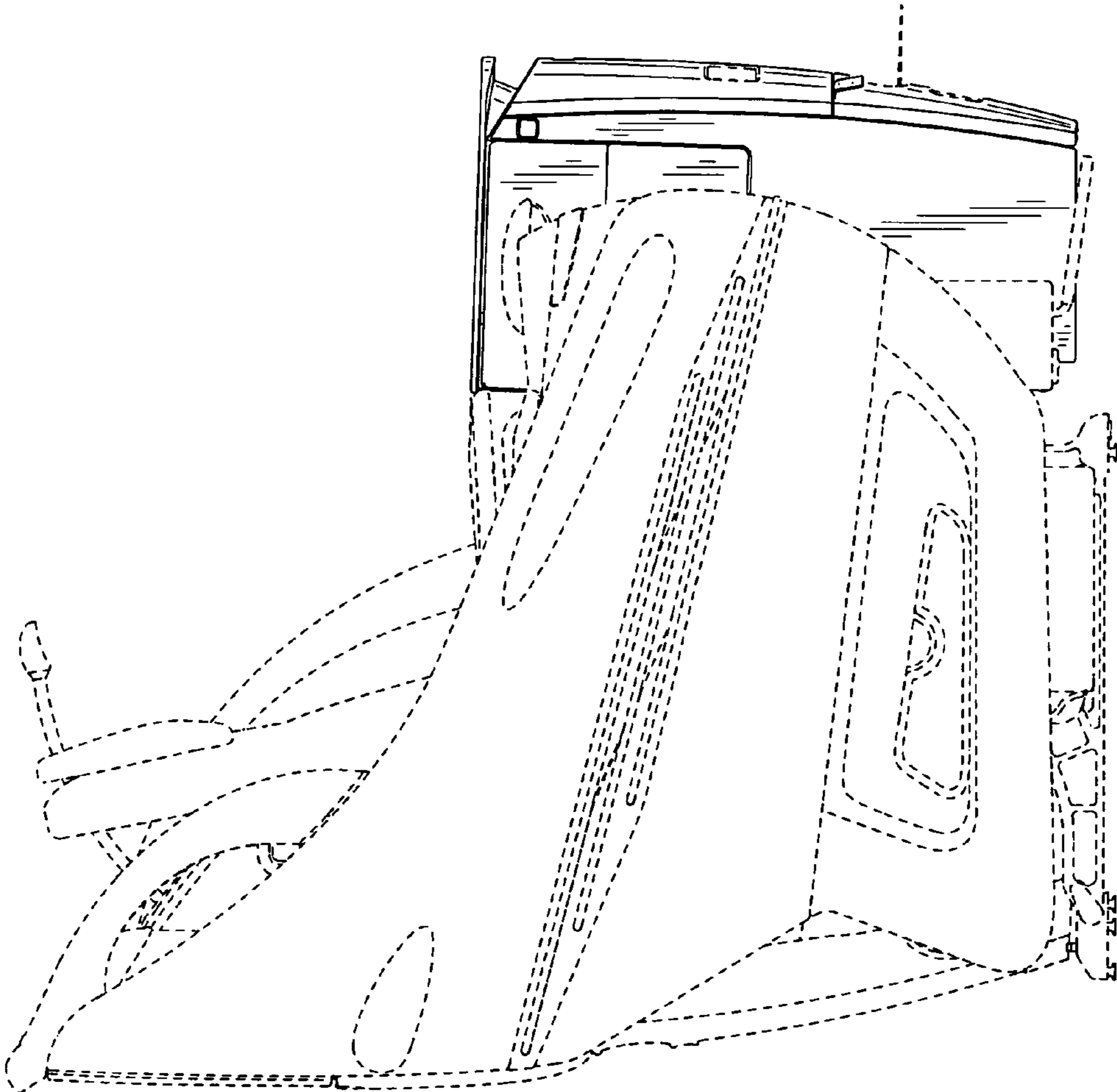


FIG.3

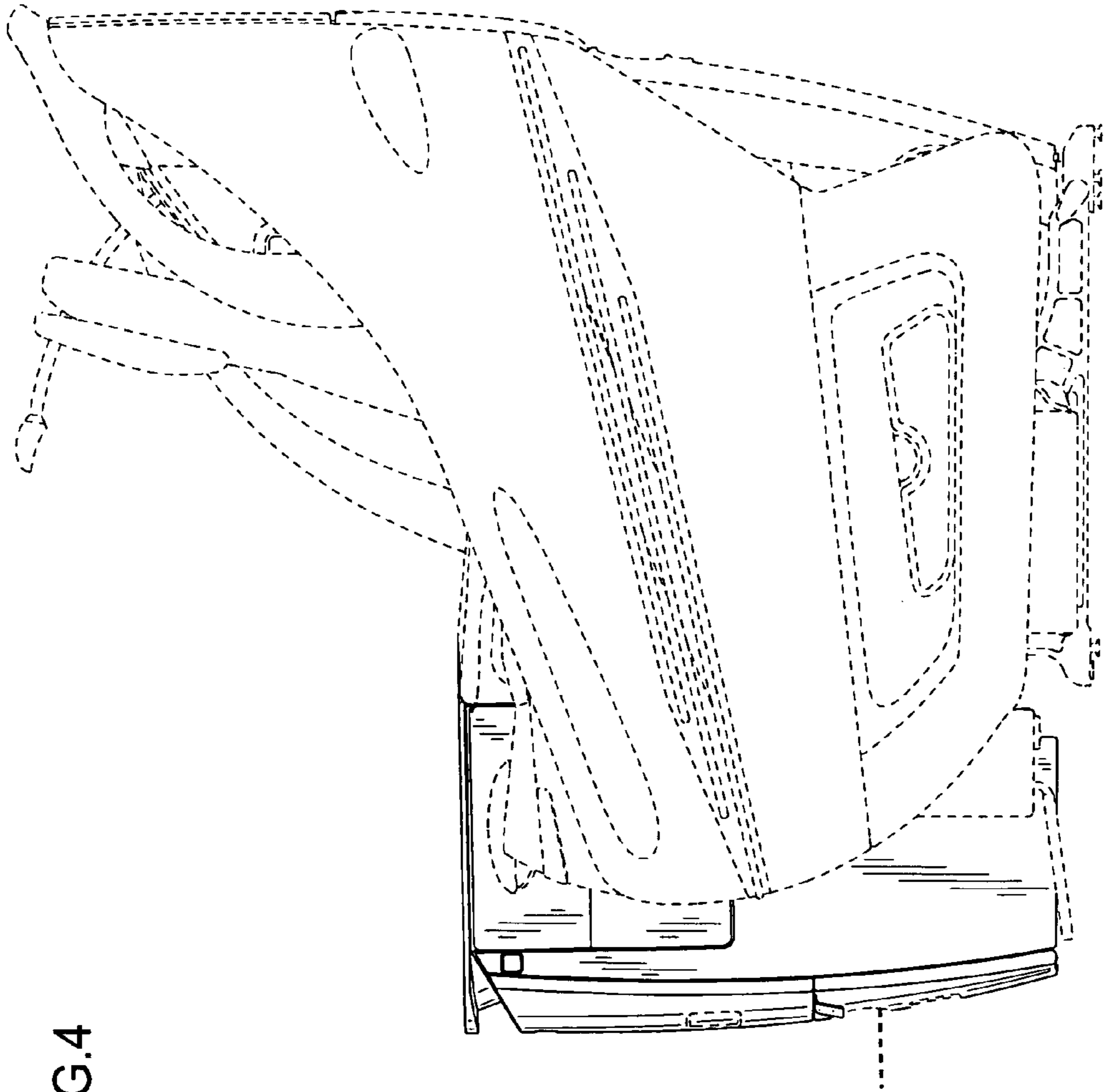


FIG.4

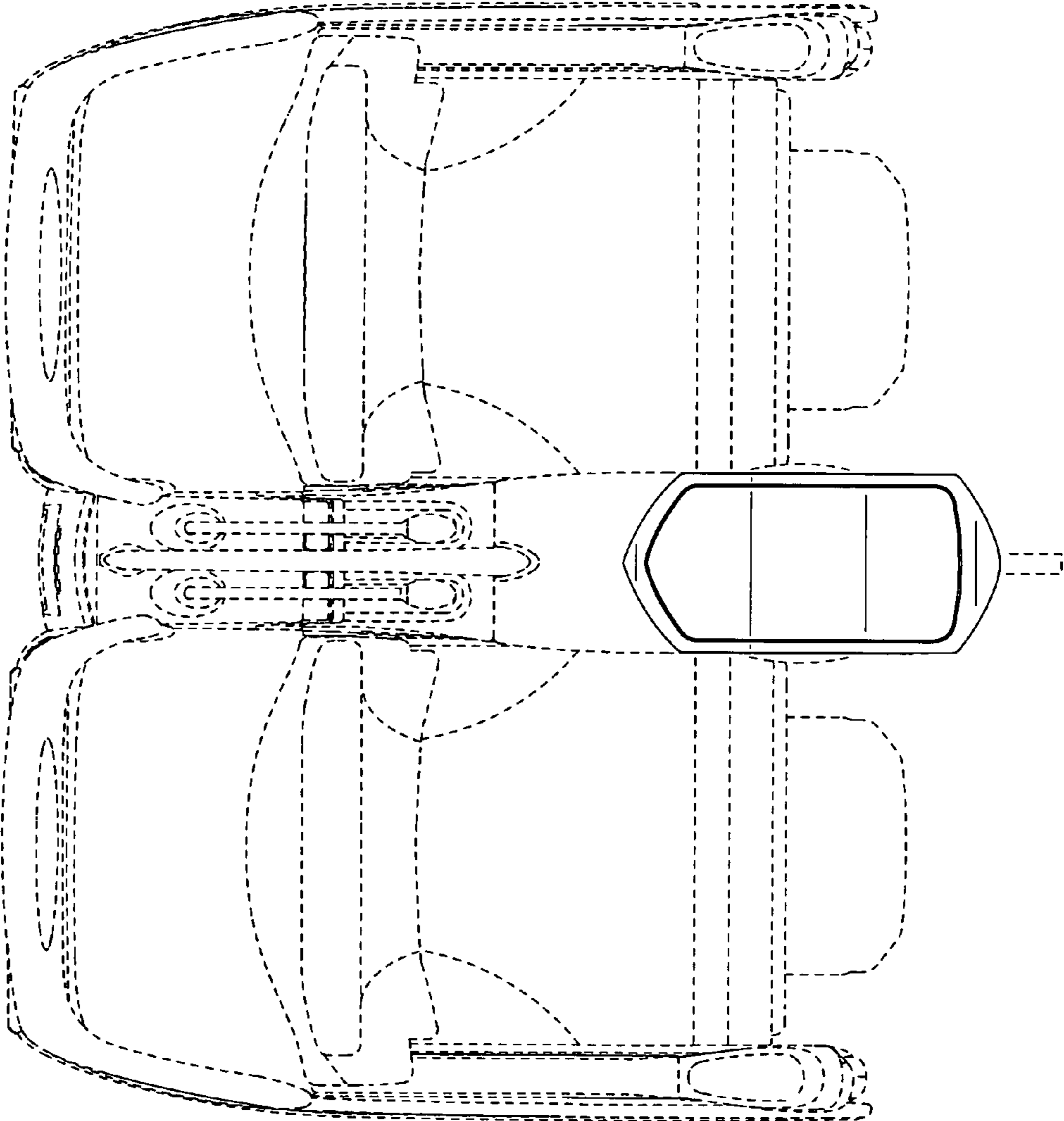


FIG.5

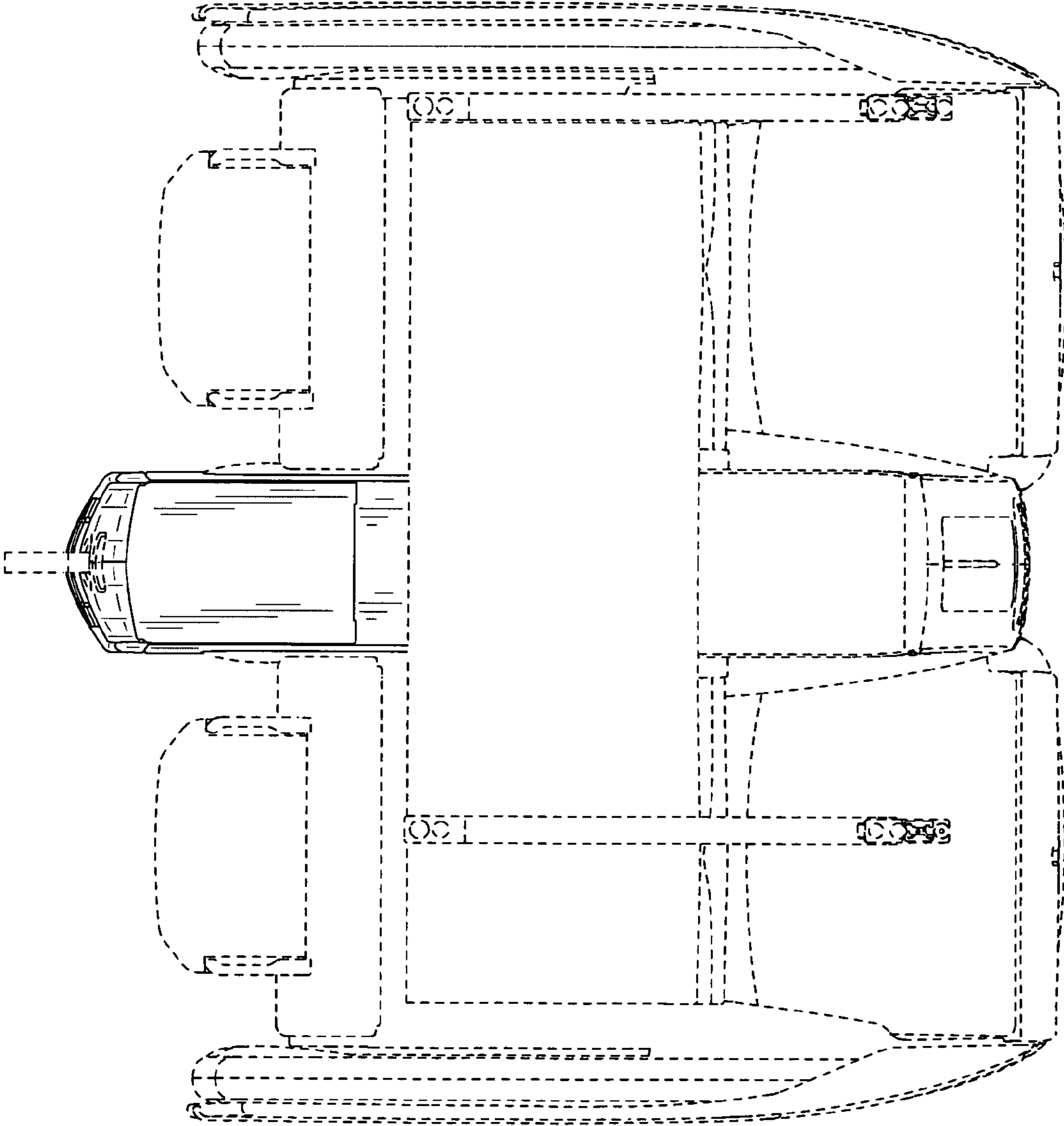


FIG.6