



US00D611397S

(12) **United States Design Patent**
Oswell et al.

(10) **Patent No.:** **US D611,397 S**
(45) **Date of Patent:** **** Mar. 9, 2010**

(54) **WATER SPORTS TOWING TOWER**

(75) Inventors: **Robert Oswell**, Acheson (CA); **Richard Behnke**, Acheson (CA); **George Cant**, Acheson (CA)

(73) Assignee: **Correct Craft IP Holdings, LLC**, Orlando, FL (US)

(**) Term: **14 Years**

(21) Appl. No.: **29/346,203**

(22) Filed: **Oct. 28, 2009**

Related U.S. Application Data

(62) Division of application No. 29/323,857, filed on Sep. 2, 2008, now Pat. No. Des. 605,575.

(51) **LOC (9) Cl.** **12-06**

(52) **U.S. Cl.** **D12/317**

(58) **Field of Classification Search** D12/300, D12/301, 310–314, 317, 318, 114; 114/247, 114/249, 250, 253, 254, 343, 361, 364
See application file for complete search history.

(56) **References Cited**

U.S. PATENT DOCUMENTS

3,925,836	A	12/1975	Simmonds	
D284,754	S *	7/1986	Shields	D12/317
5,520,139	A *	5/1996	King et al.	114/361
5,669,325	A	9/1997	Feikema	
D409,972	S	5/1999	Todd	
6,044,788	A *	4/2000	Larson et al.	114/253
D442,910	S	5/2001	Metcalf	
RE37,823	E	9/2002	Larson et al.	
D465,194	S	11/2002	Eck	
D468,254	S	1/2003	Eck	
6,575,112	B2	6/2003	Roeseler et al.	
D479,500	S	9/2003	Mattarocci	
D482,649	S	11/2003	Eck	
6,672,238	B2	1/2004	Sheikholeslam et al.	
D486,441	S	2/2004	Metcalf	
D486,774	S	2/2004	Eck	

D489,314	S	5/2004	Metcalf
6,792,888	B1	9/2004	Metcalf
6,865,999	B2	3/2005	Bierbower, Jr.
6,910,437	B2	6/2005	O'Reilly et al.
6,925,957	B2	8/2005	Schultz
6,945,188	B2	9/2005	Eck et al.
D510,902	S	10/2005	Erskine et al.

(Continued)

Primary Examiner—Philip S Hyder
Assistant Examiner—Cynthia M Chin

(74) *Attorney, Agent, or Firm*—Allen, Dyer, Doppelt, Milbrath & Gilchrist, P.A.

(57) **CLAIM**

The ornamental design for a water sports towing tower, as shown and described.

DESCRIPTION

FIG. 1 is a front right perspective view of a water sports towing tower showing our new design:

FIG. 2 is a front elevation view thereof;

FIG. 3 is a left side view thereof;

FIG. 4 is a right side view thereof;

FIG. 5 is a rear view thereof;

FIG. 6 is a top view thereof;

FIG. 7 is a bottom view thereof;

FIG. 8 is a front right perspective view of a second embodiment of a water sports towing tower;

FIG. 9 is a front elevation view thereof;

FIG. 10 is a left side view thereof;

FIG. 11 is a right side view thereof;

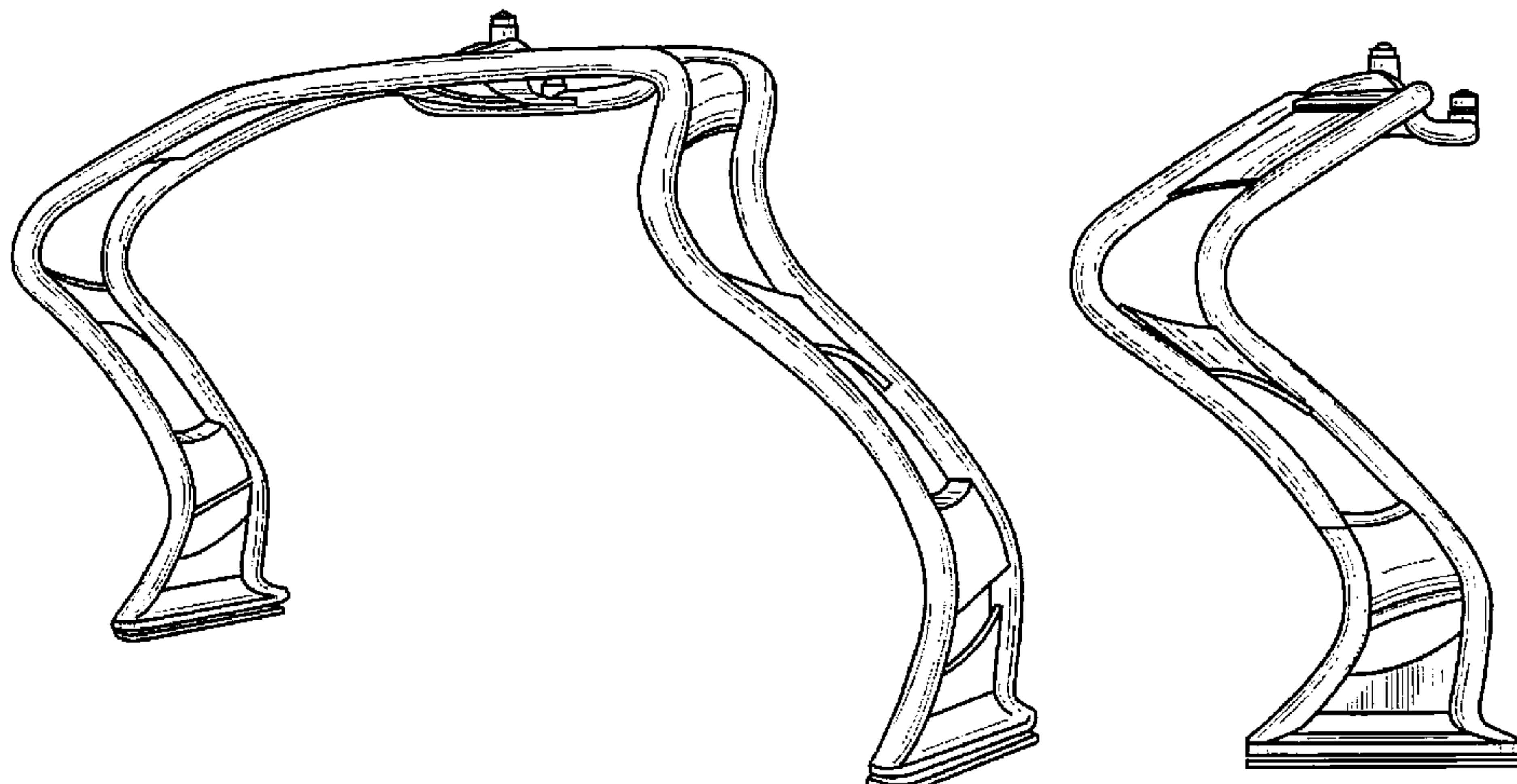
FIG. 12 is a rear view thereof;

FIG. 13 is a top view thereof; and,

FIG. 14 is a bottom view thereof.

The broken lines shown in FIGS. 8–14 represent portions of the design that form no part of the claim.

1 Claim, 6 Drawing Sheets



US D611,397 S

Page 2

U.S. PATENT DOCUMENTS							
6,986,321	B2	1/2006	Metcalf	D568,804	S	5/2008	Zsido
6,997,131	B2	2/2006	Jackson et al.	7,392,758	B2 *	7/2008	Metcalf 114/361
7,017,509	B2	3/2006	Schultz	7,401,569	B2 *	7/2008	Jones 114/361
D519,910	S	5/2006	Bierbower, Jr.	7,520,236	B2 *	4/2009	Seipel et al. 114/253
D534,855	S	1/2007	Metcalf	2001/0006037	A1	7/2001	Badley
D537,763	S *	3/2007	Erskine et al. D12/182	2004/0129196	A1	7/2004	Jesewitz
7,216,604	B2	5/2007	Finney et al.	2004/0187764	A1	9/2004	Eck et al.
7,219,617	B2	5/2007	Metcalf	2006/0037527	A1	2/2006	Aff
D551,154	S	9/2007	Metcalf	2006/0180072	A1	8/2006	Metcalf
D555,545	S	11/2007	Peek	2007/0034134	A1	2/2007	Carlton
				2007/0079746	A1	4/2007	Finney

* cited by examiner

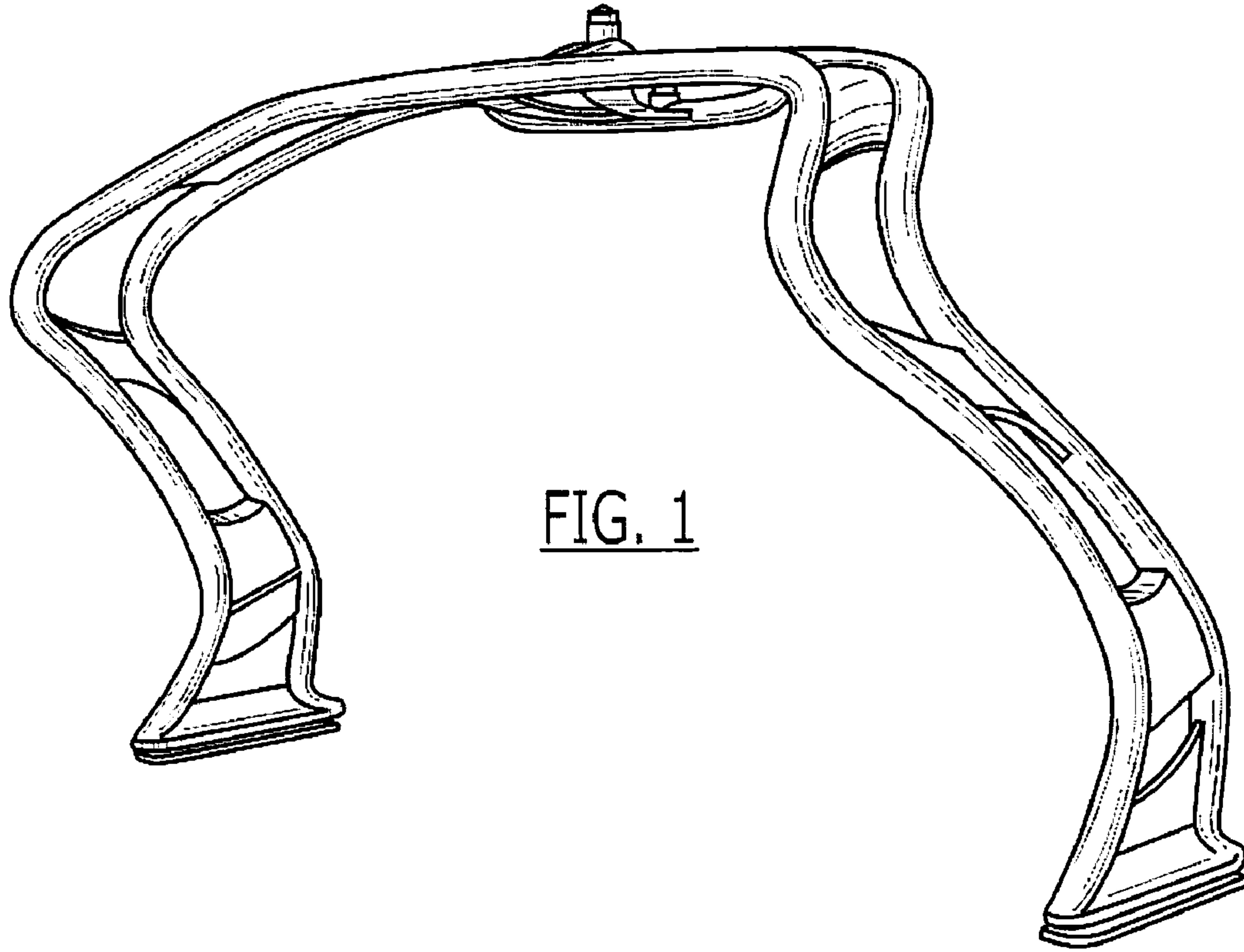


FIG. 1

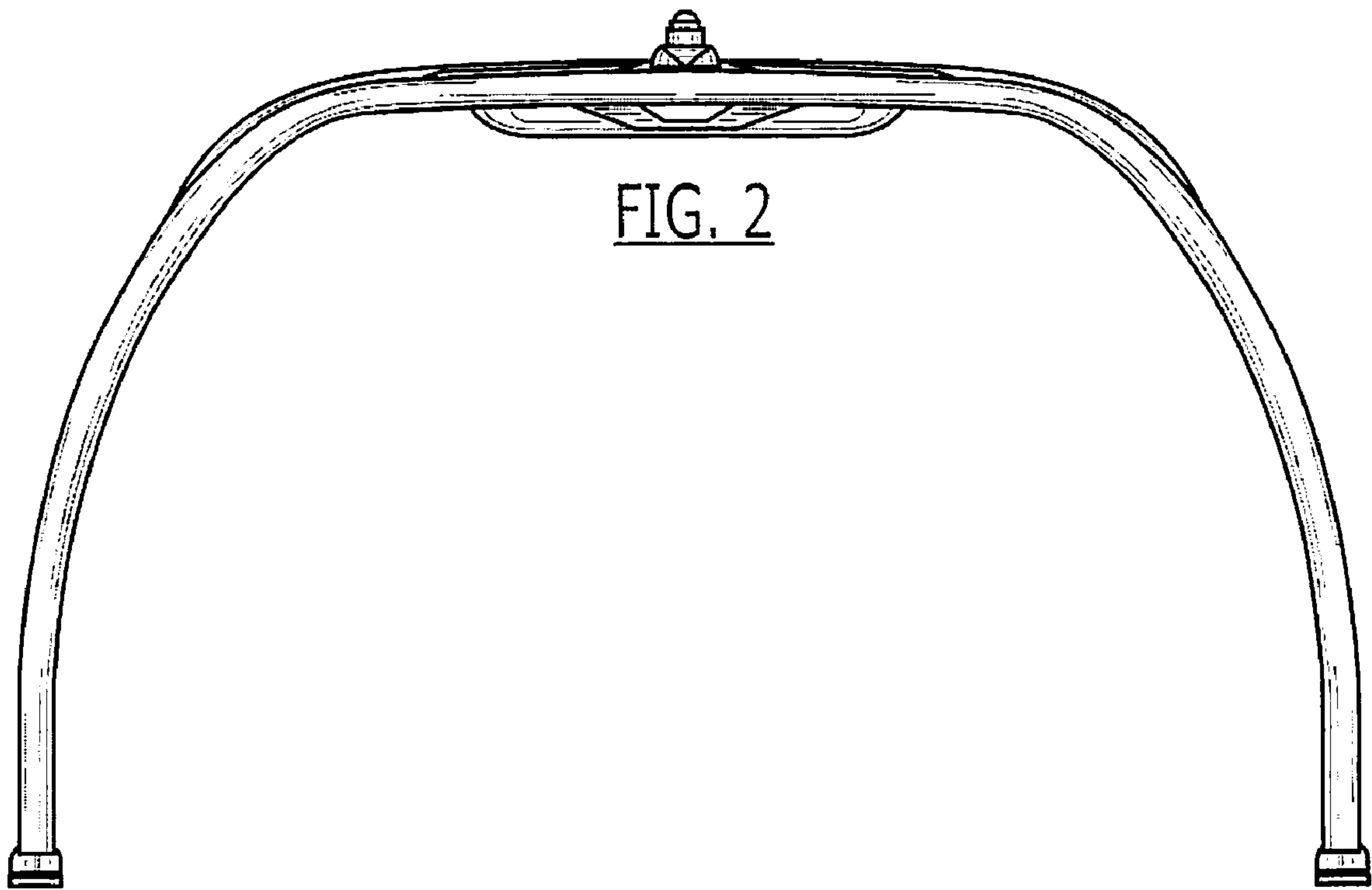


FIG. 2

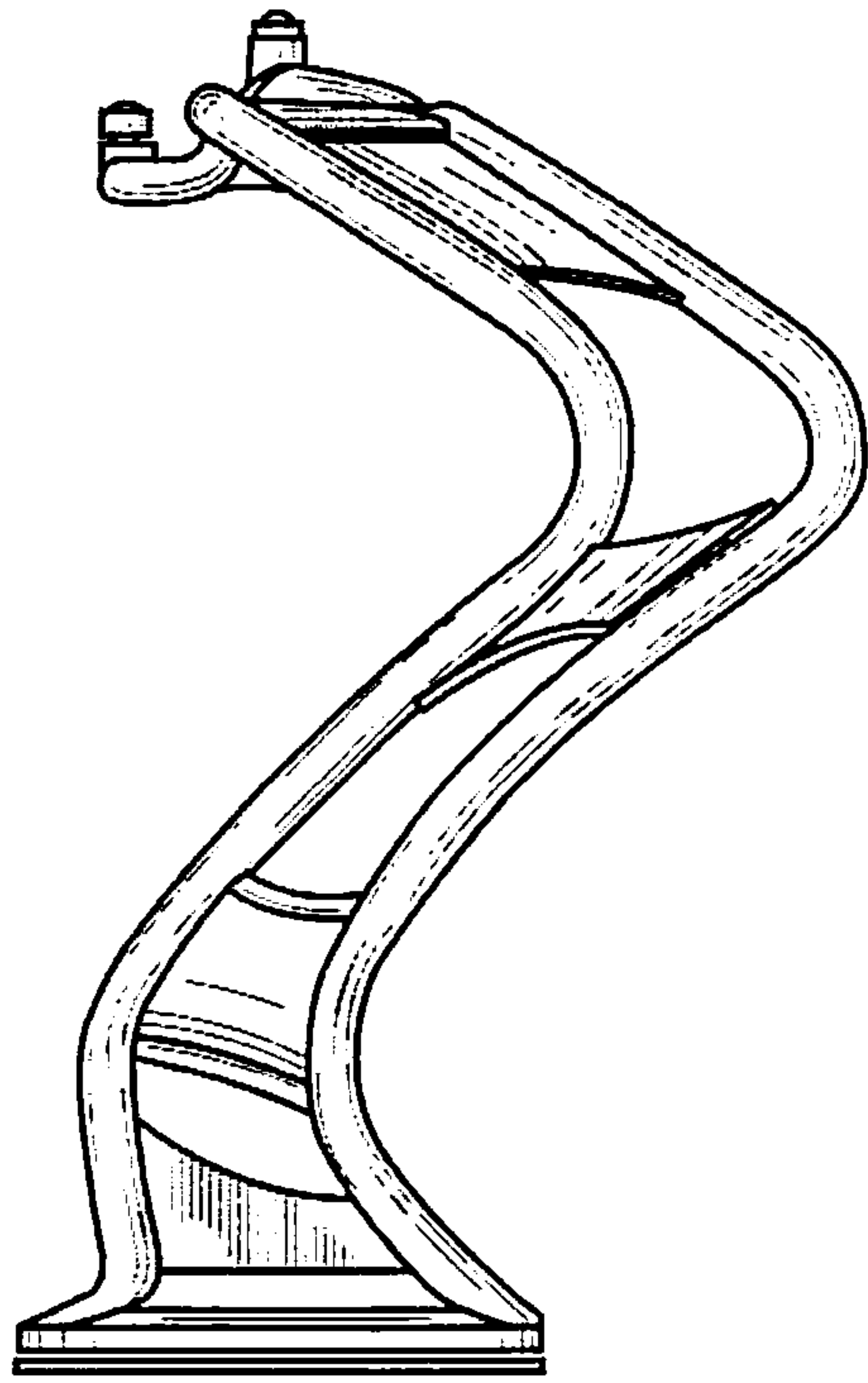


FIG. 3

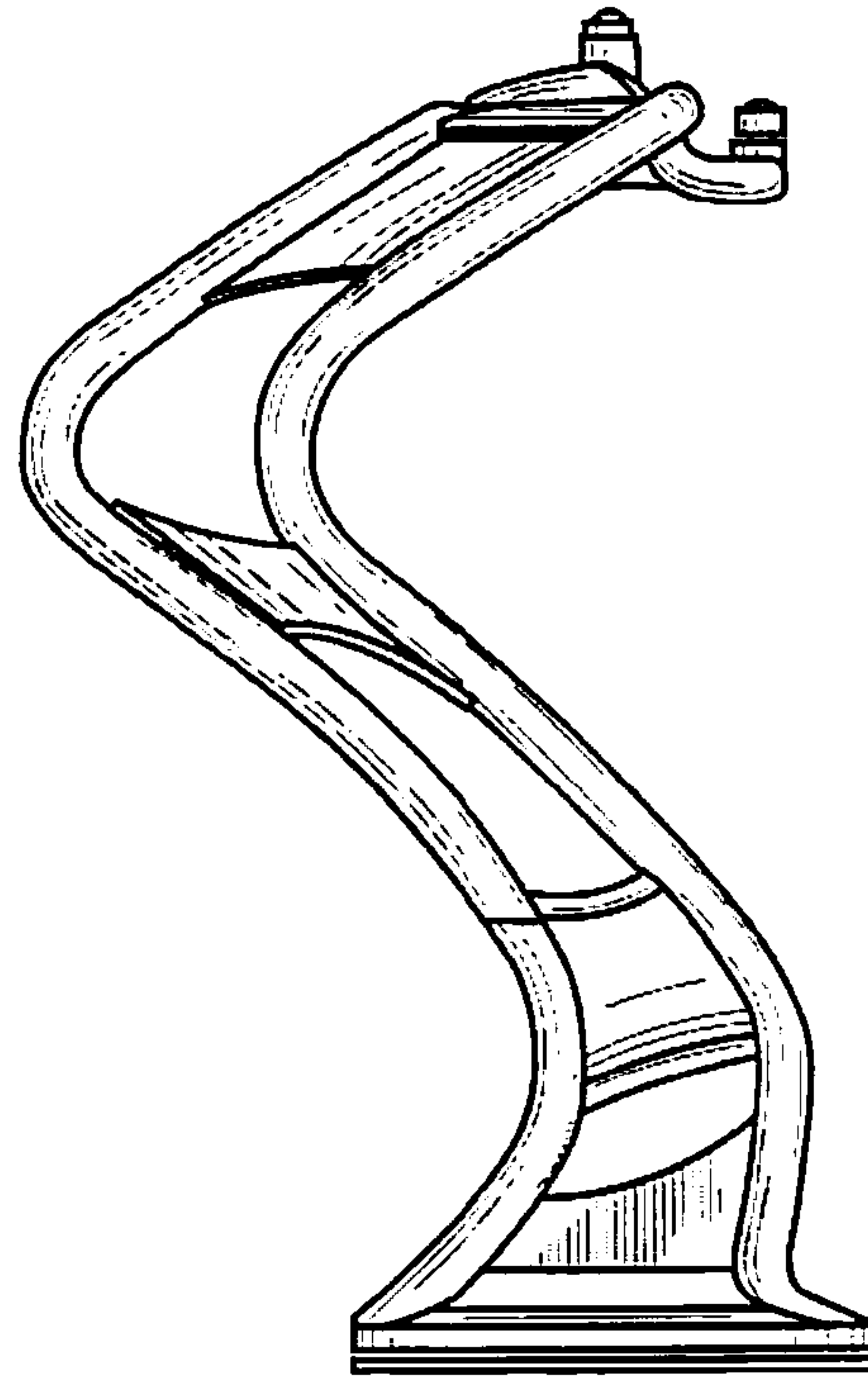


FIG. 4

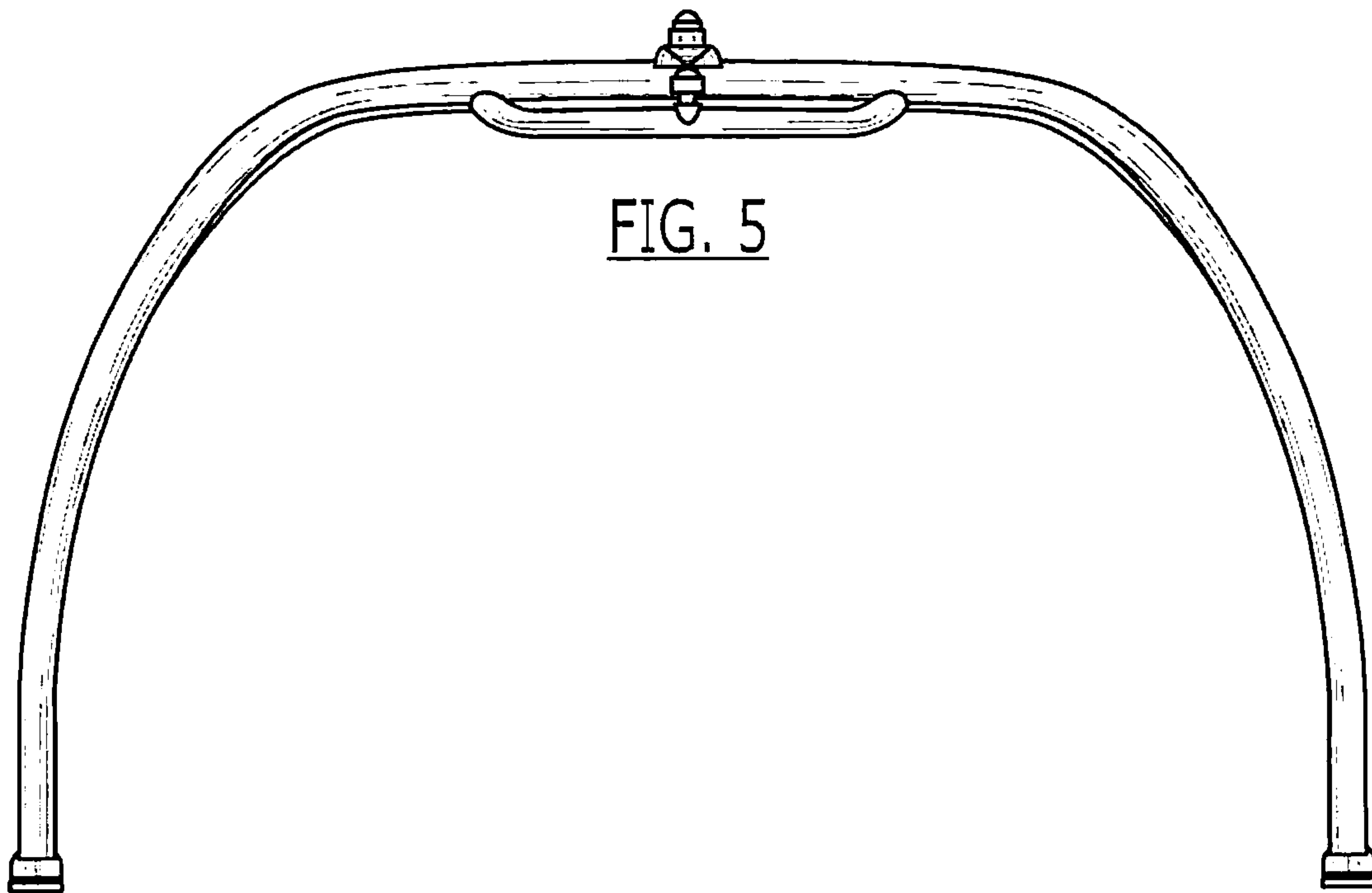


FIG. 5

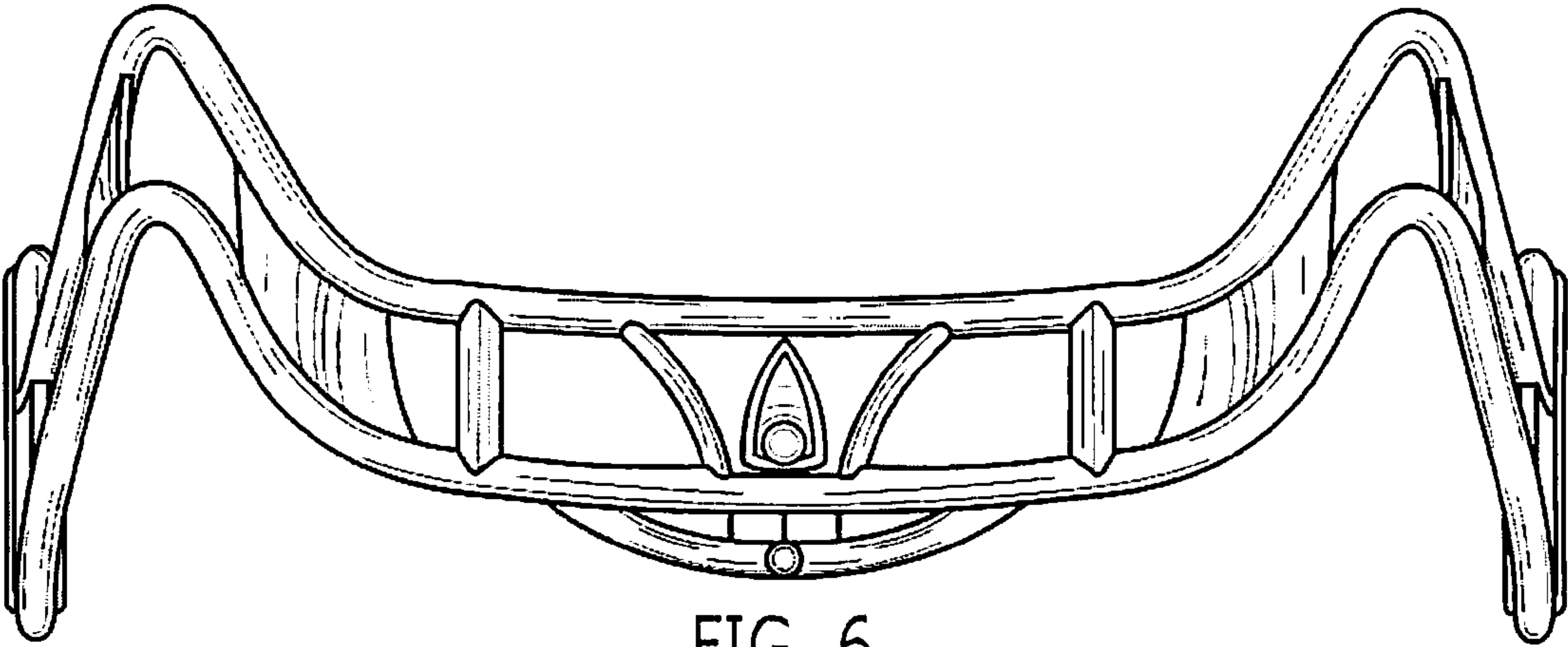


FIG. 6

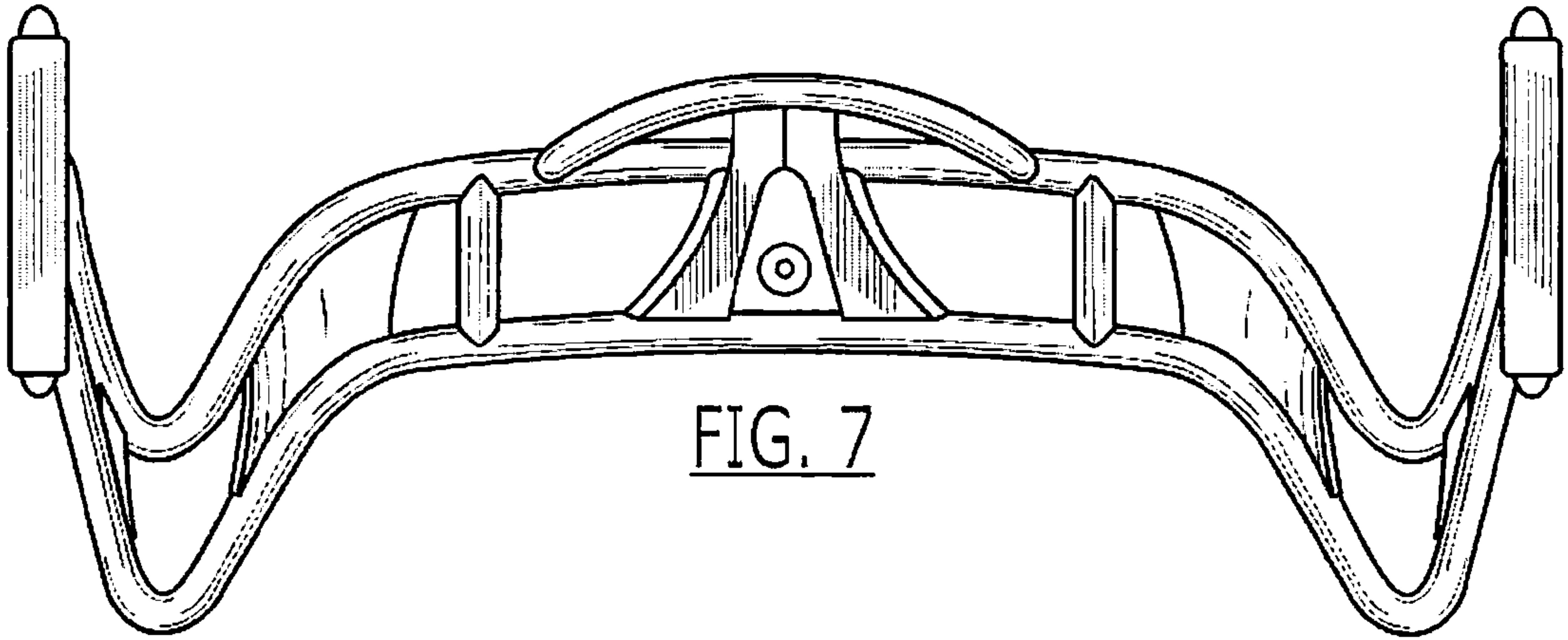


FIG. 7

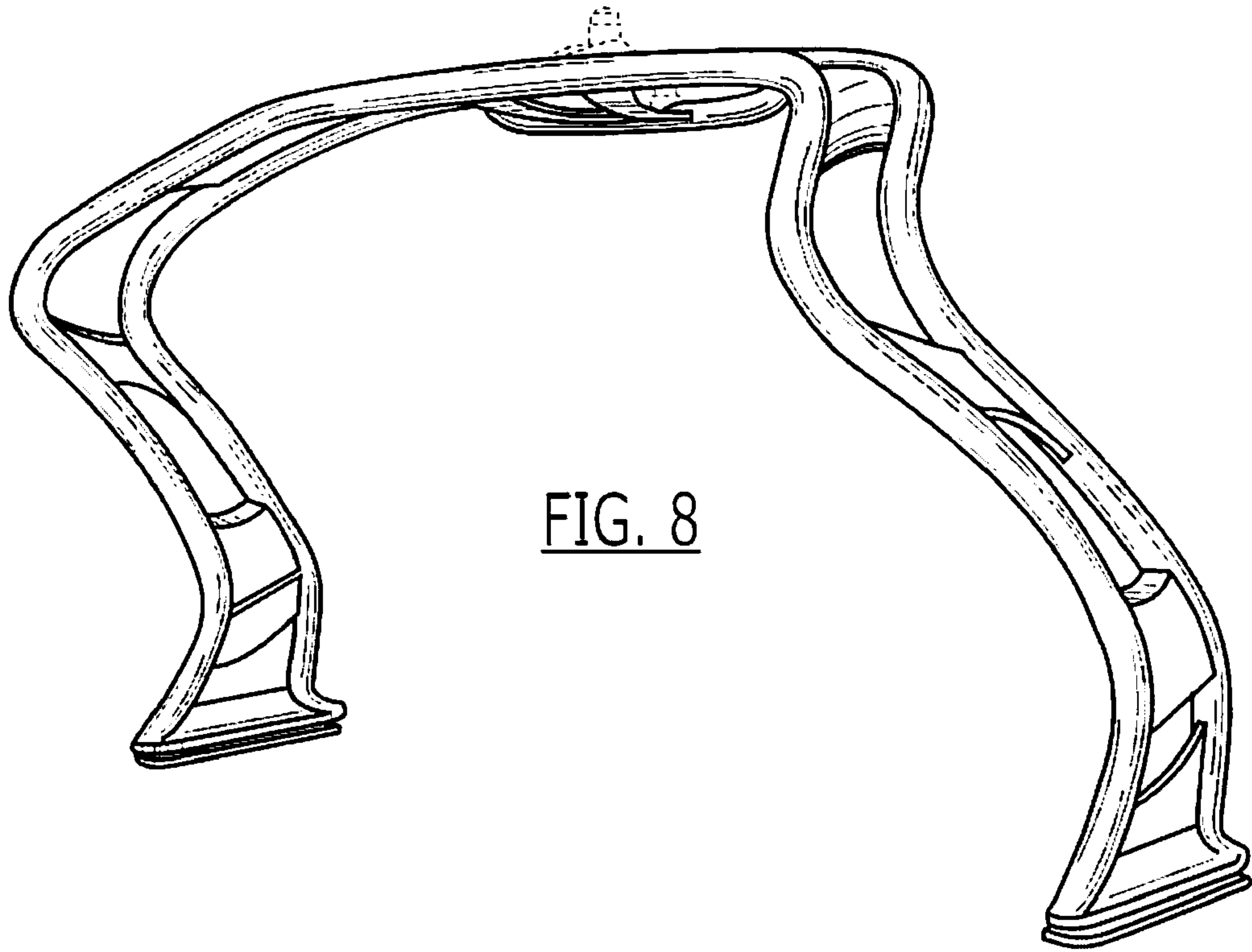


FIG. 8

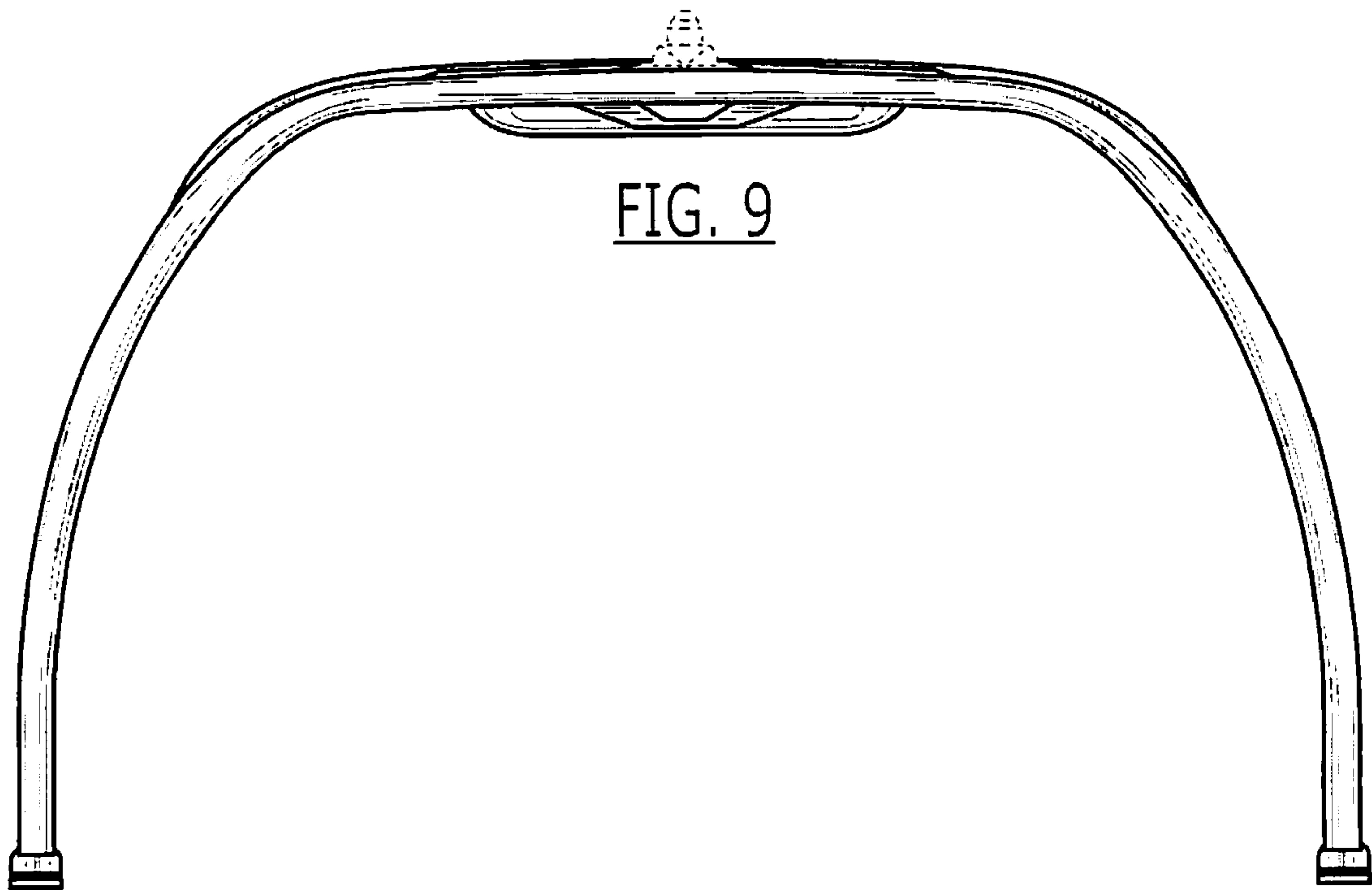


FIG. 9

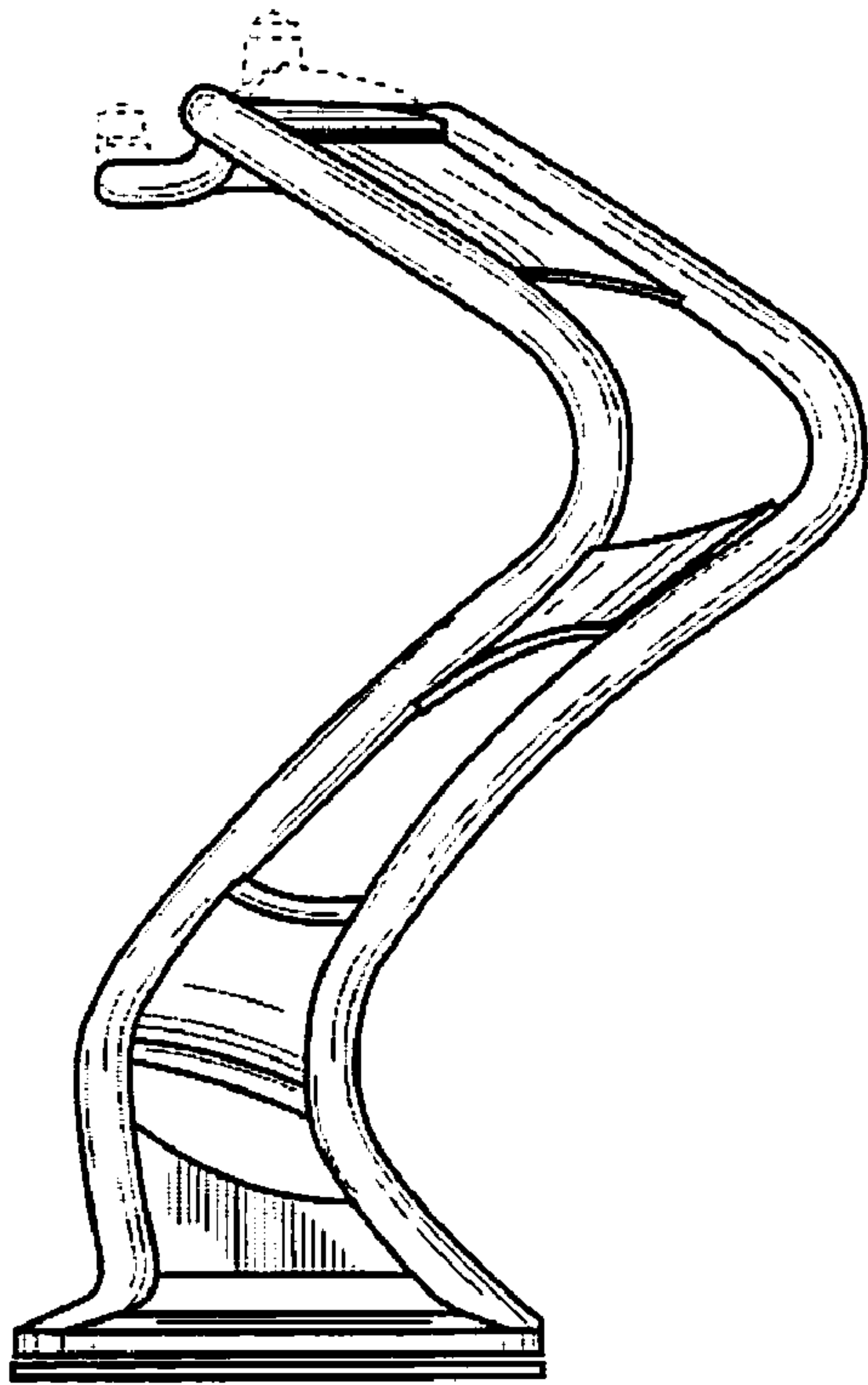


FIG. 10

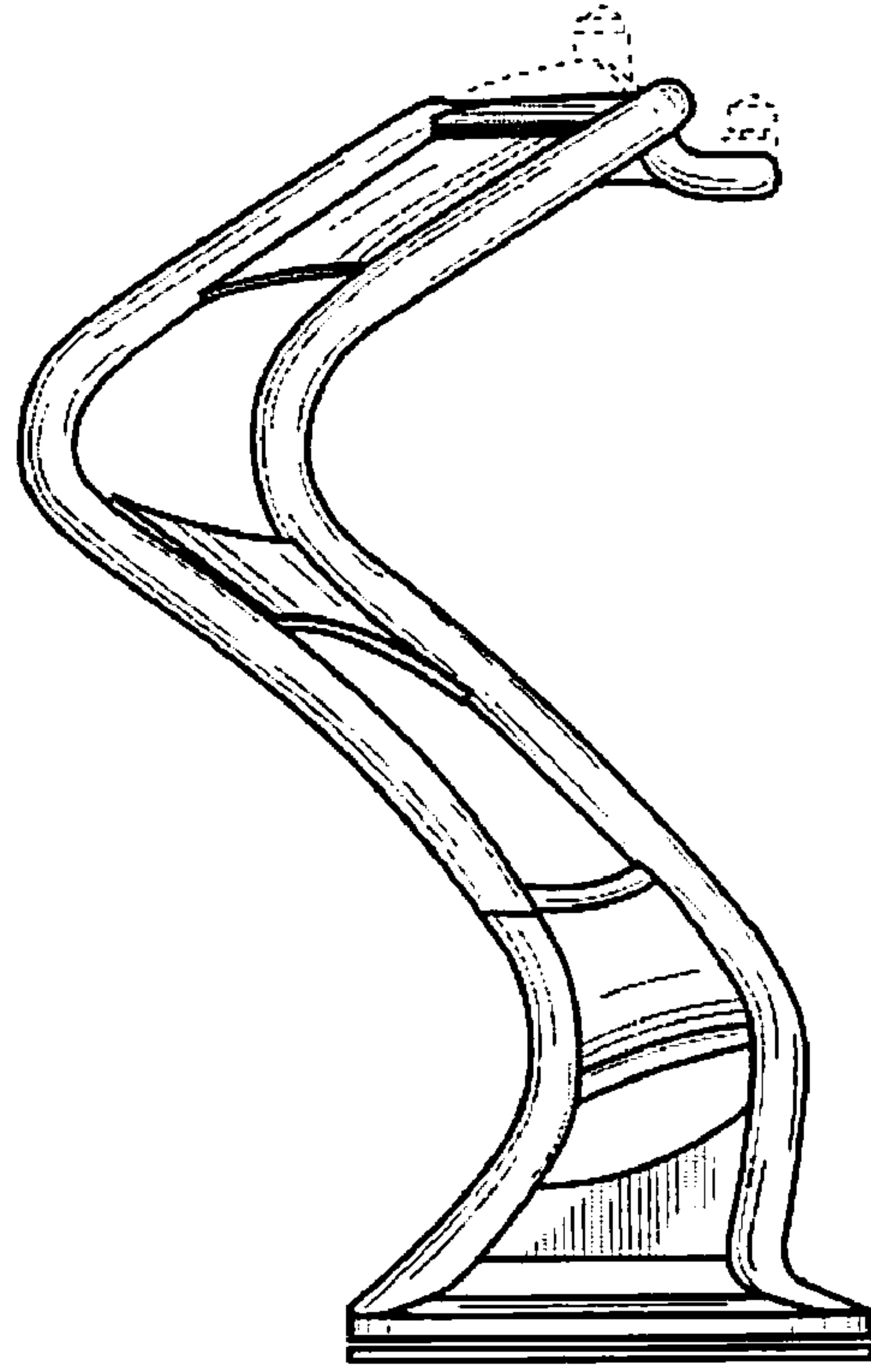


FIG. 11

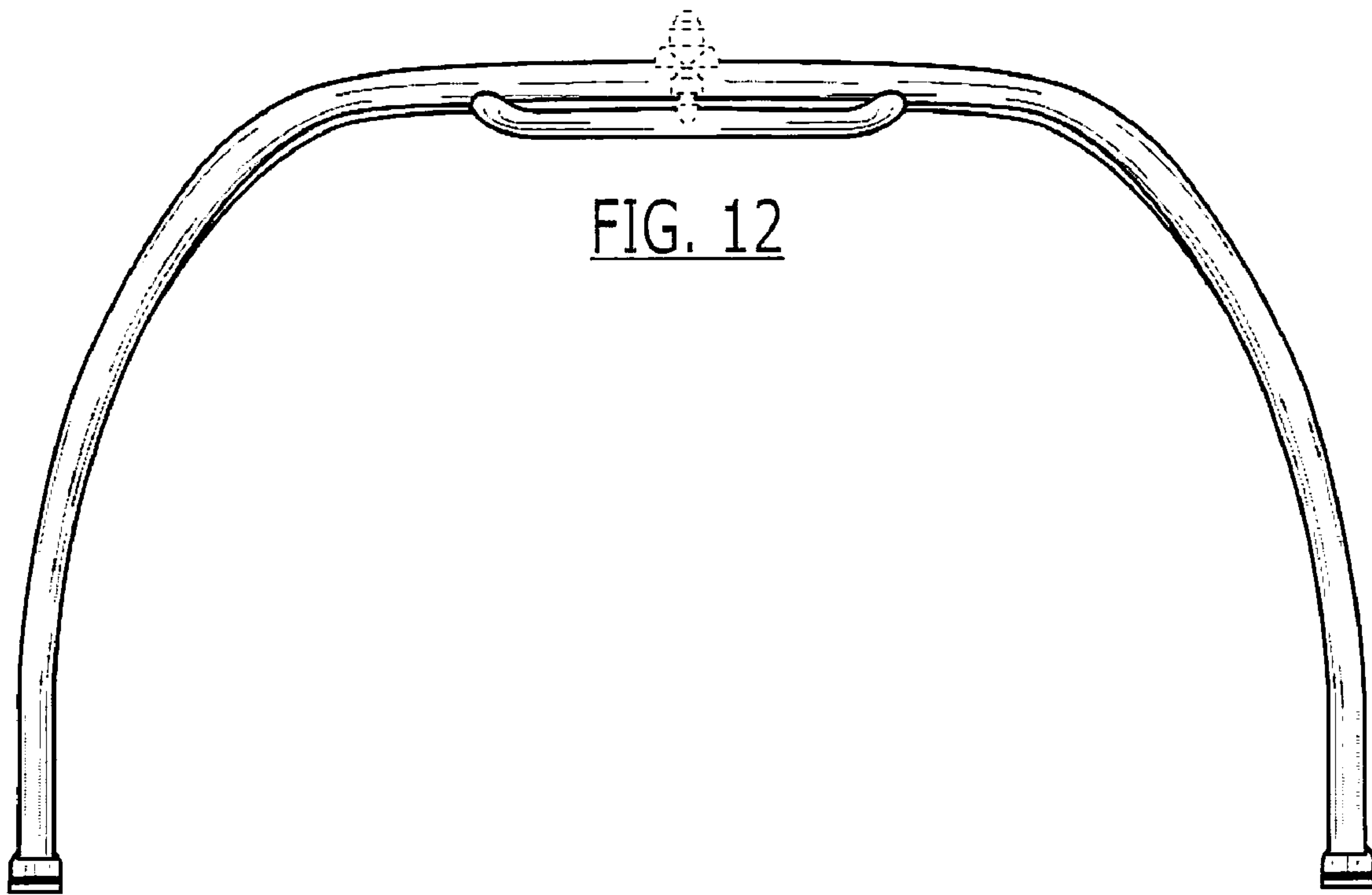


FIG. 12

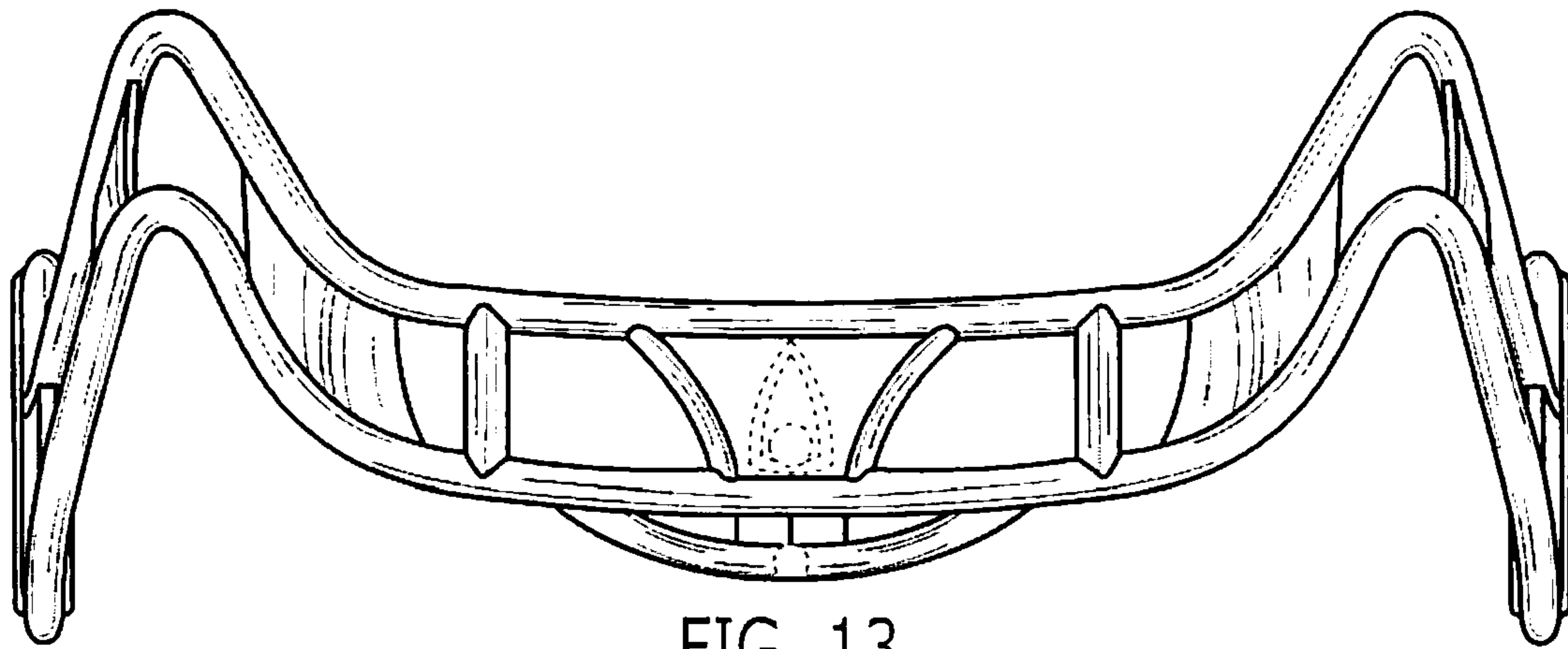


FIG. 13

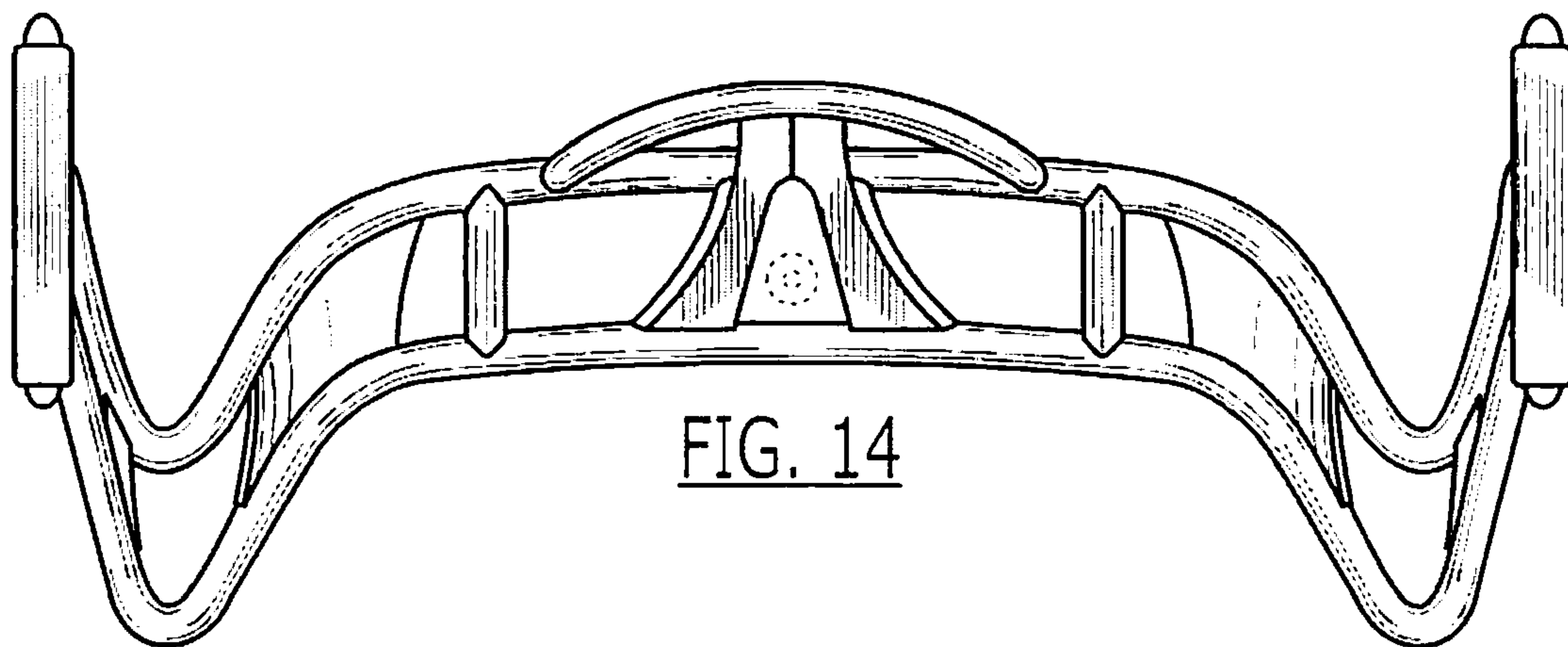


FIG. 14