



US00D611396S

(12) **United States Design Patent**
Antoniadis et al.

(10) **Patent No.:** **US D611,396 S**
(45) **Date of Patent:** **** Mar. 9, 2010**

(54) **WHEEL OR WHEEL COVER**

(75) Inventors: **Apostolos Antoniadis**, Sindelfingen (DE); **Thomas Binder**, Stuttgart (DE); **Stefan Handt**, Stuttgart (DE)

(73) Assignee: **Daimler AG**, Stuttgart (DE)

(**) Term: **14 Years**

(21) Appl. No.: **29/311,593**

(22) Filed: **Apr. 27, 2009**

(30) **Foreign Application Priority Data**

Oct. 28, 2008 (EM) 001029011-0002

(51) **LOC (9) Cl.** **12-16**

(52) **U.S. Cl.** **D12/211**

(58) **Field of Classification Search** D12/204-213;
301/37.101, 64.101, 65, 64.201

See application file for complete search history.

(56) **References Cited**

U.S. PATENT DOCUMENTS

D371,100 S *	6/1996	Hatter	D12/209
D409,546 S *	5/1999	Stark	D12/209
D428,377 S *	7/2000	Kubosaki et al.	D12/209
D451,062 S *	11/2001	Yoshida	D12/209
D451,065 S *	11/2001	Braun	D12/211
D460,036 S *	7/2002	Yajima	D12/211

D461,153 S *	8/2002	Koyama	D12/209
D499,058 S *	11/2004	Iwauchi et al.	D12/209
D502,909 S *	3/2005	Pfeiffer	D12/211
D504,096 S *	4/2005	Nakagawa et al.	D12/209
D538,731 S *	3/2007	Iwauchi et al.	D12/211
D573,932 S *	7/2008	Laengerer	D12/209
D584,208 S *	1/2009	Markefka	D12/209
D589,863 S *	4/2009	Huet	D12/209
D589,864 S *	4/2009	Friedrich et al.	D12/209
D593,477 S *	6/2009	Chen et al.	D12/211
D595,201 S *	6/2009	Antoniadis et al.	D12/211

* cited by examiner

Primary Examiner—Stacia Cadmus

(74) *Attorney, Agent, or Firm*—Crowell & Moring LLP

(57) **CLAIM**

The ornamental design for a wheel or wheel cover, as shown and described.

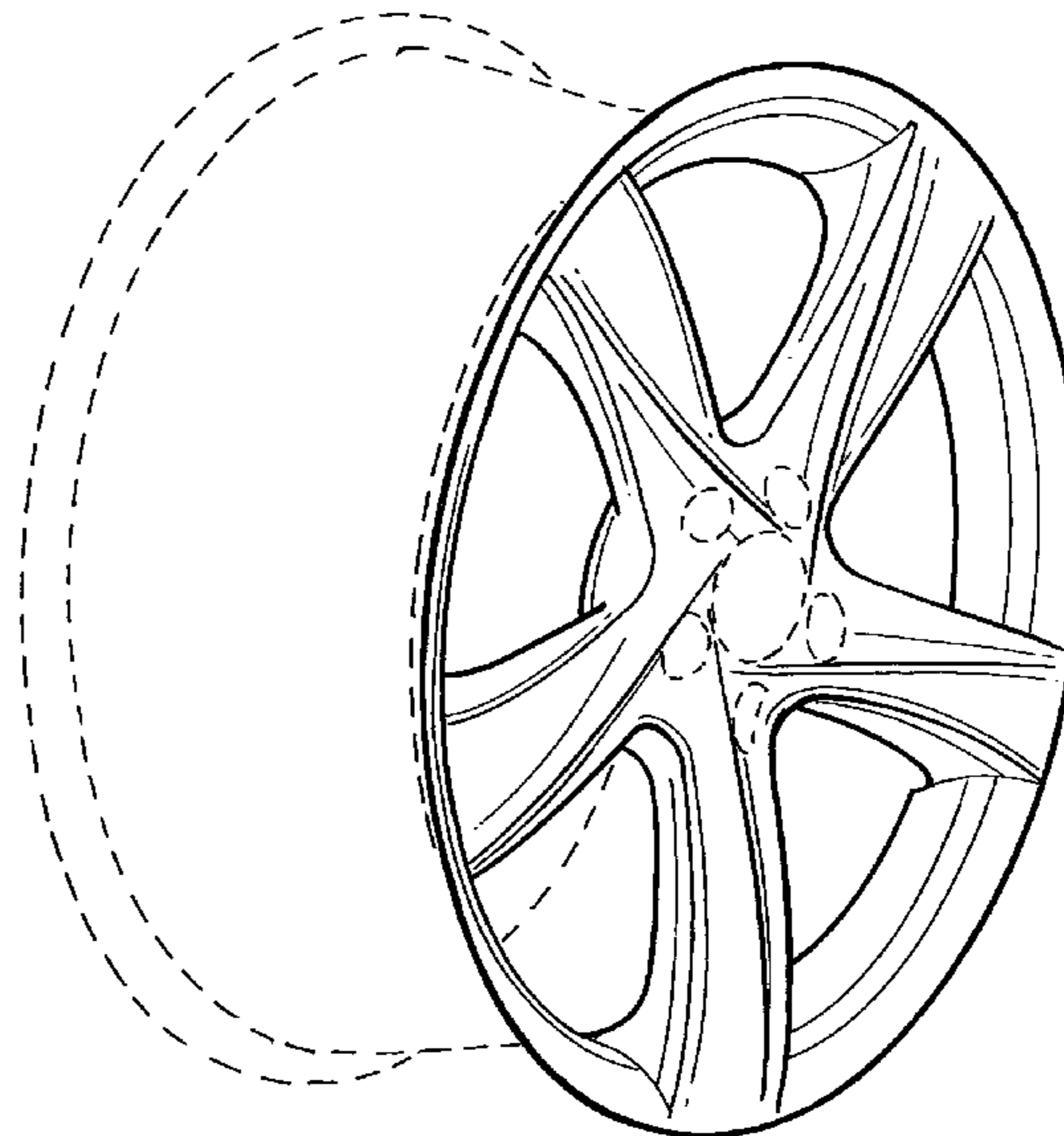
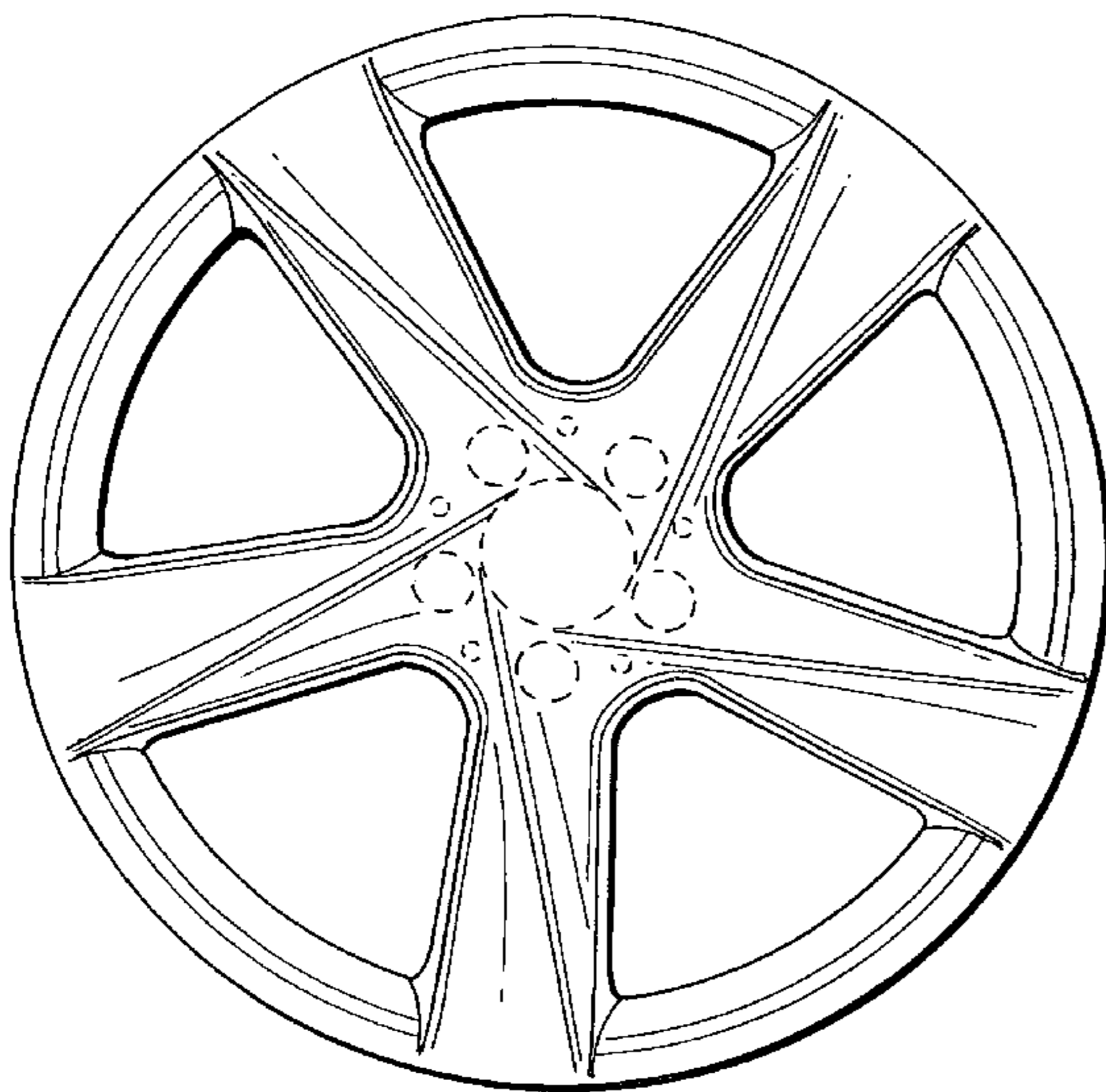
DESCRIPTION

FIG. 1 is a front view of a wheel or wheel cover according to our novel design; and,

FIG. 2 is a perspective view thereof.

The broken line showing of the rear of the rim and the bolt holes and center hole in the central hub area is included for the purpose of illustrating environment and forms no part of the claimed design.

1 Claim, 1 Drawing Sheet



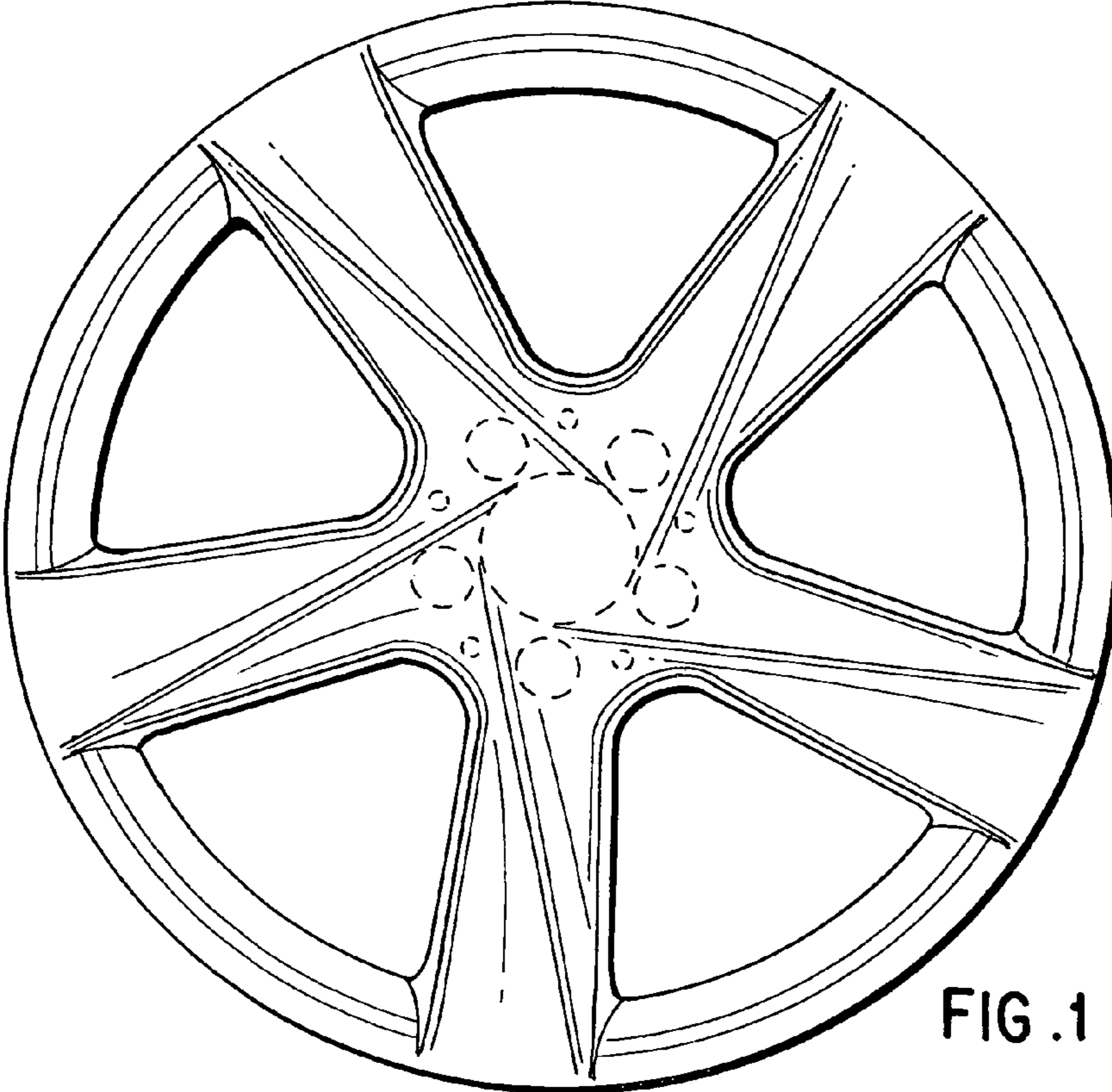


FIG. 1

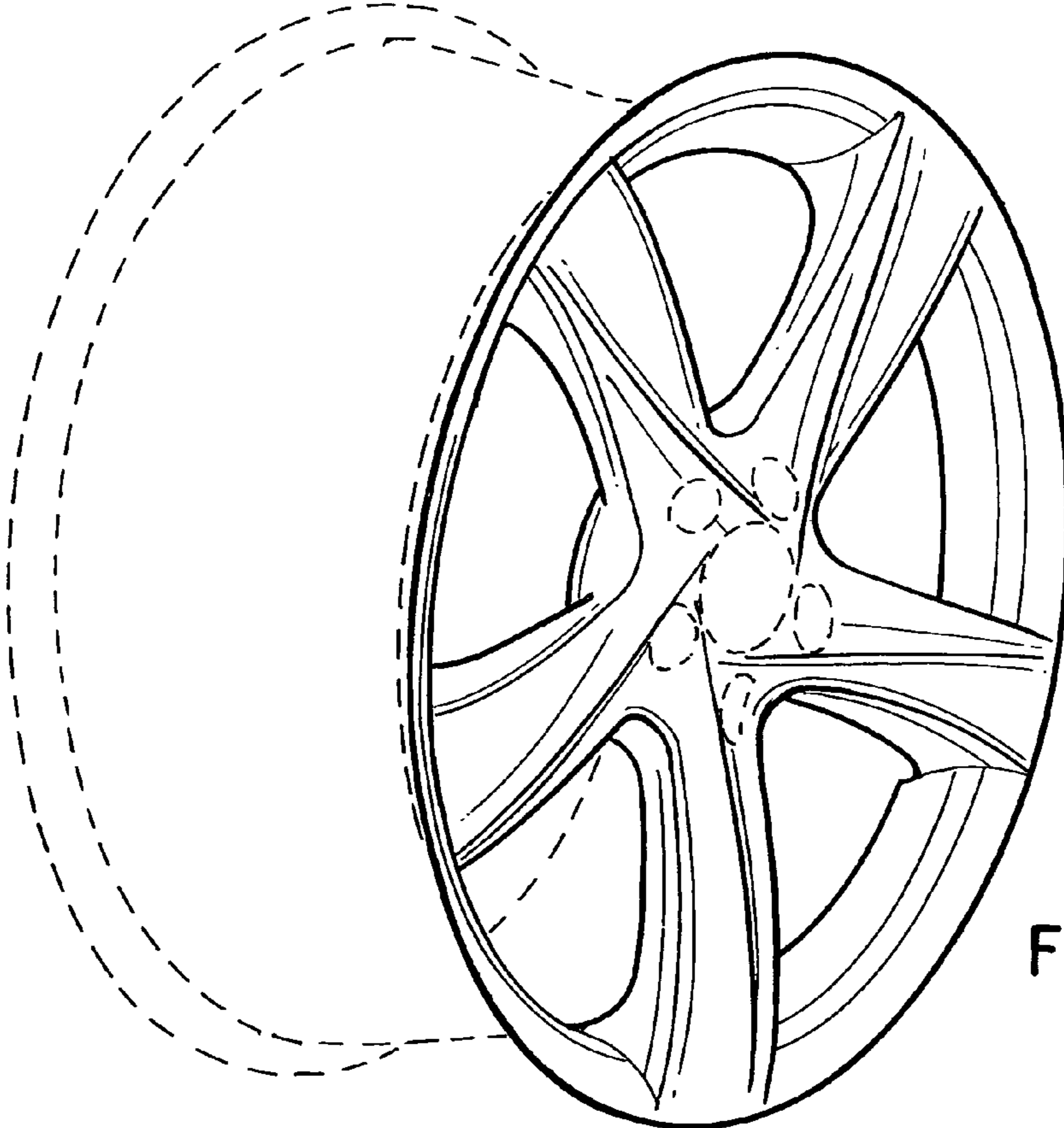


FIG. 2