



US00D611394S

(12) **United States Design Patent**
Santamaria

(10) **Patent No.:** **US D611,394 S**

(45) **Date of Patent:** **** Mar. 9, 2010**

(54) **CARRIAGE FOR INFANT CAR SEAT**

D597,451 S * 8/2009 Ramm et al. D12/130

(76) Inventor: **Delia Santamaria**, 2433 Maybrook Dr.,
Sacramento, CA (US) 95835

* cited by examiner

Primary Examiner—Charles A Rademaker

Assistant Examiner—Charles D Hanson

(**) Term: **14 Years**

(21) Appl. No.: **29/330,845**

(57) **CLAIM**

(22) Filed: **Jan. 14, 2009**

I claim, the ornamental design for the carriage for infant car seat, as shown and described.

(51) **LOC (9) Cl.** **12-12**

(52) **U.S. Cl.** **D12/129; D21/425; D34/17**

(58) **Field of Classification Search** D12/128-133;
D6/360, 367; 280/62, 647-650, 29, 200,
280/47.38, 250.1, 259, 642, 658; 297/DIG. 4;
296/65.03, 65.04; 224/409; D21/425, 426;
D34/17, 18

DESCRIPTION

See application file for complete search history.

FIG. 1 is a left side view of a carriage for infant car seat showing my new design, handle shown in a lowered position in broken lines;

FIG. 2 is a rear view thereof;

FIG. 3 is a front view thereof;

FIG. 4 is a top view thereof;

FIG. 5 is a bottom view thereof; and,

FIG. 6 is a perspective view thereof.

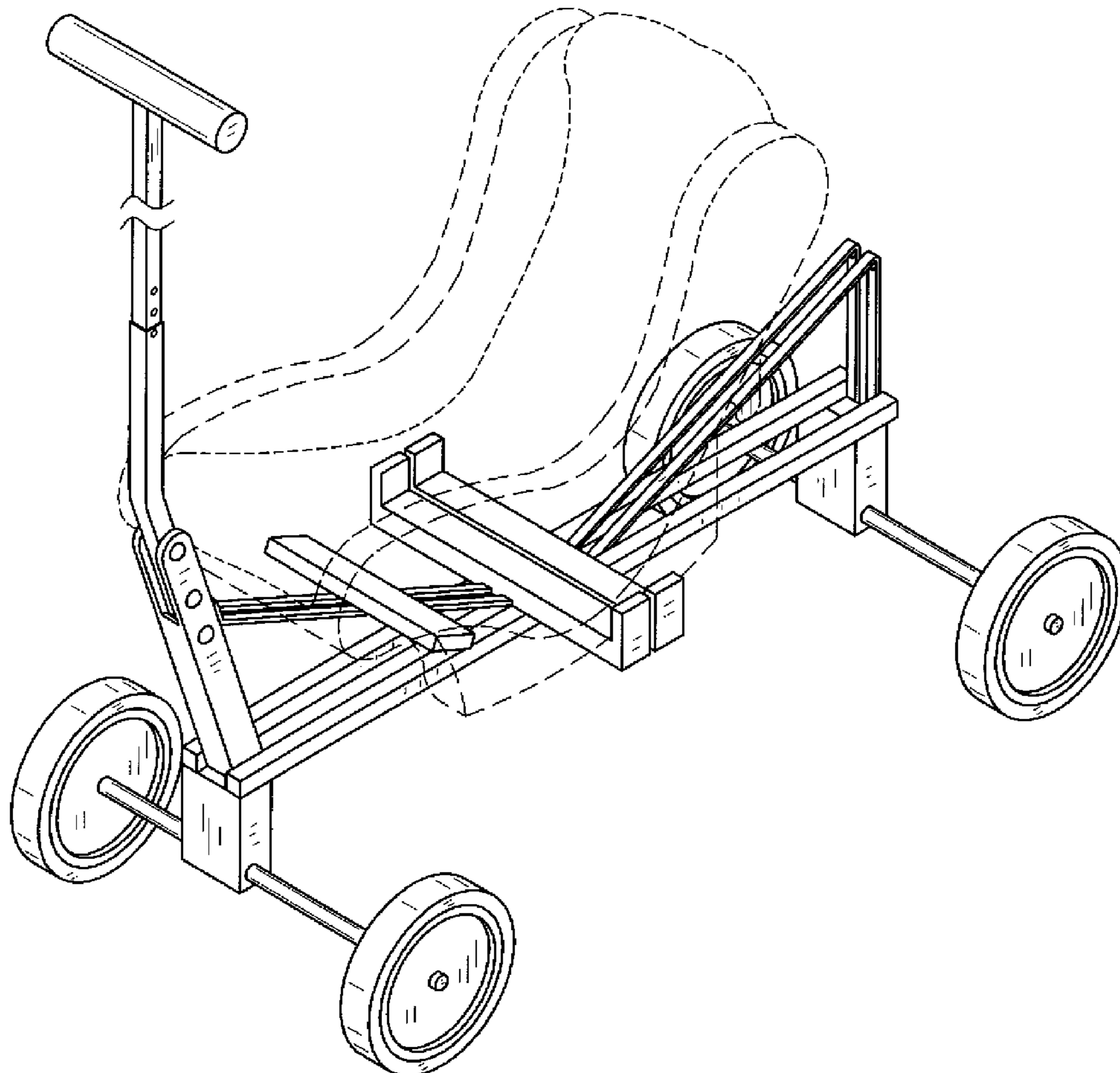
The broken lines shown in the drawings are included for the purpose of illustrating environment and form no part of the claimed design.

(56) **References Cited**

U.S. PATENT DOCUMENTS

D363,904 S *	11/1995	Stone	D12/130
D482,641 S *	11/2003	Hansen	D12/129
D517,455 S *	3/2006	Allen et al.	D12/130
7,311,319 B1 *	12/2007	Ortega	280/87.05
D589,410 S *	3/2009	Ramm et al.	D12/130

1 Claim, 6 Drawing Sheets



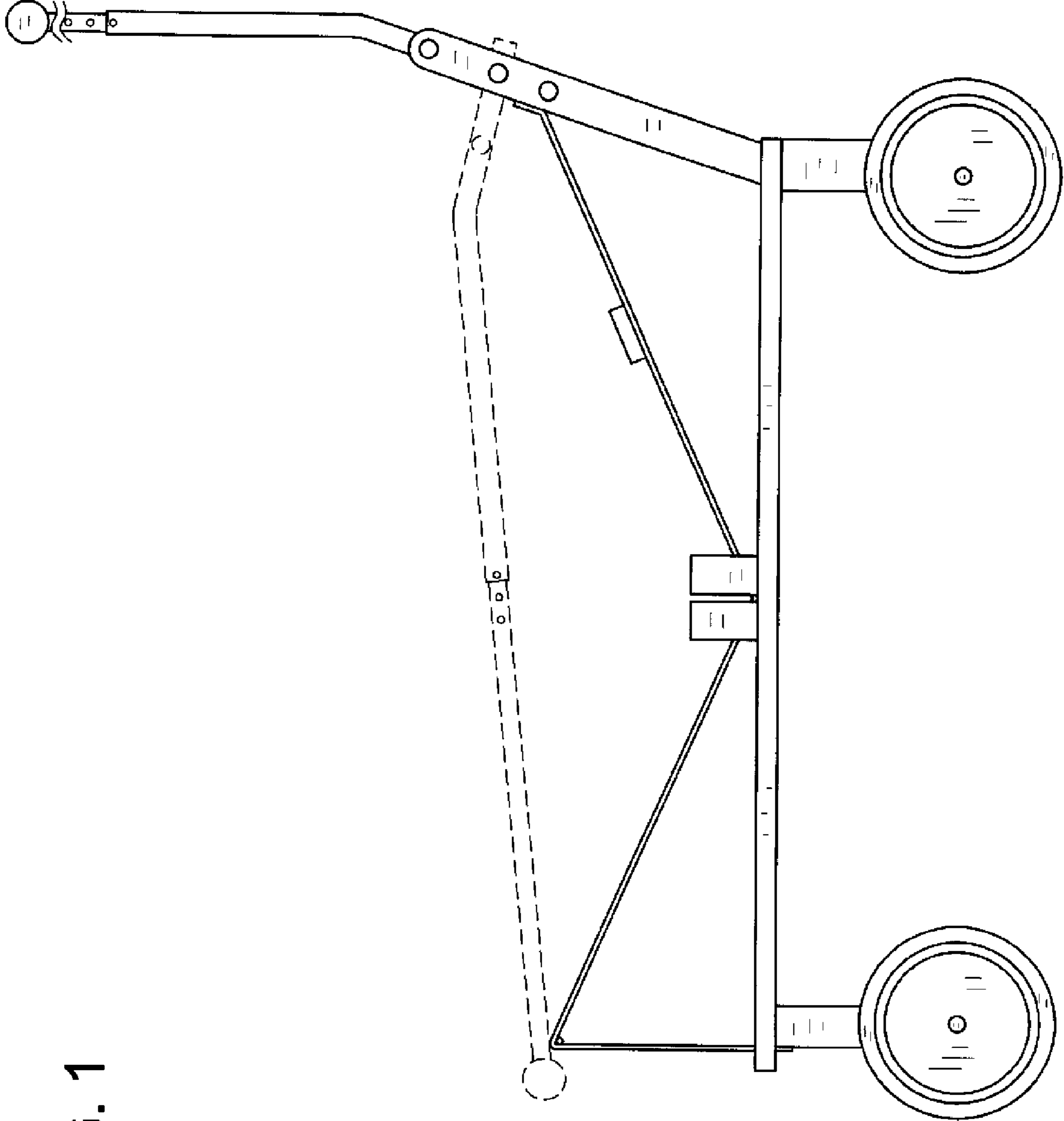


FIG. 1

FIG. 2

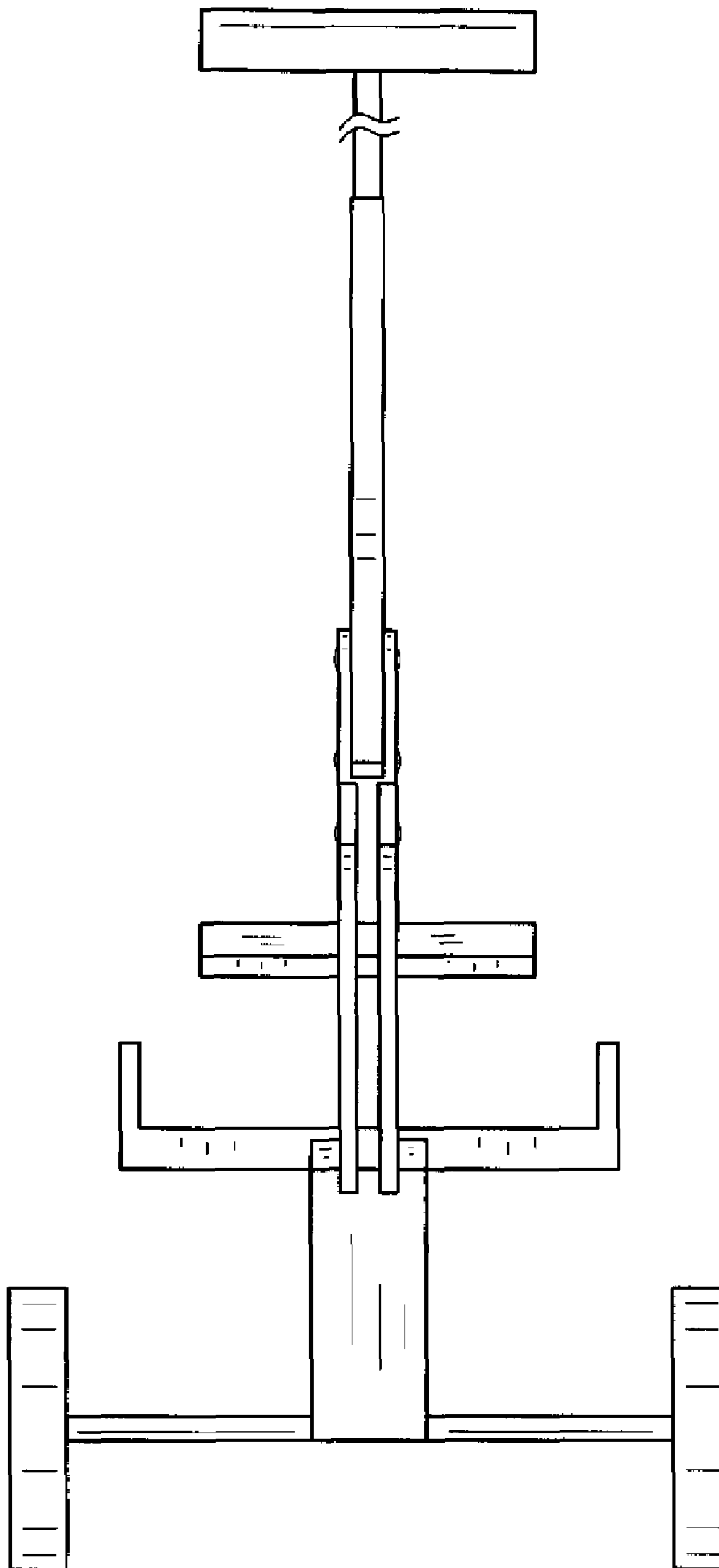
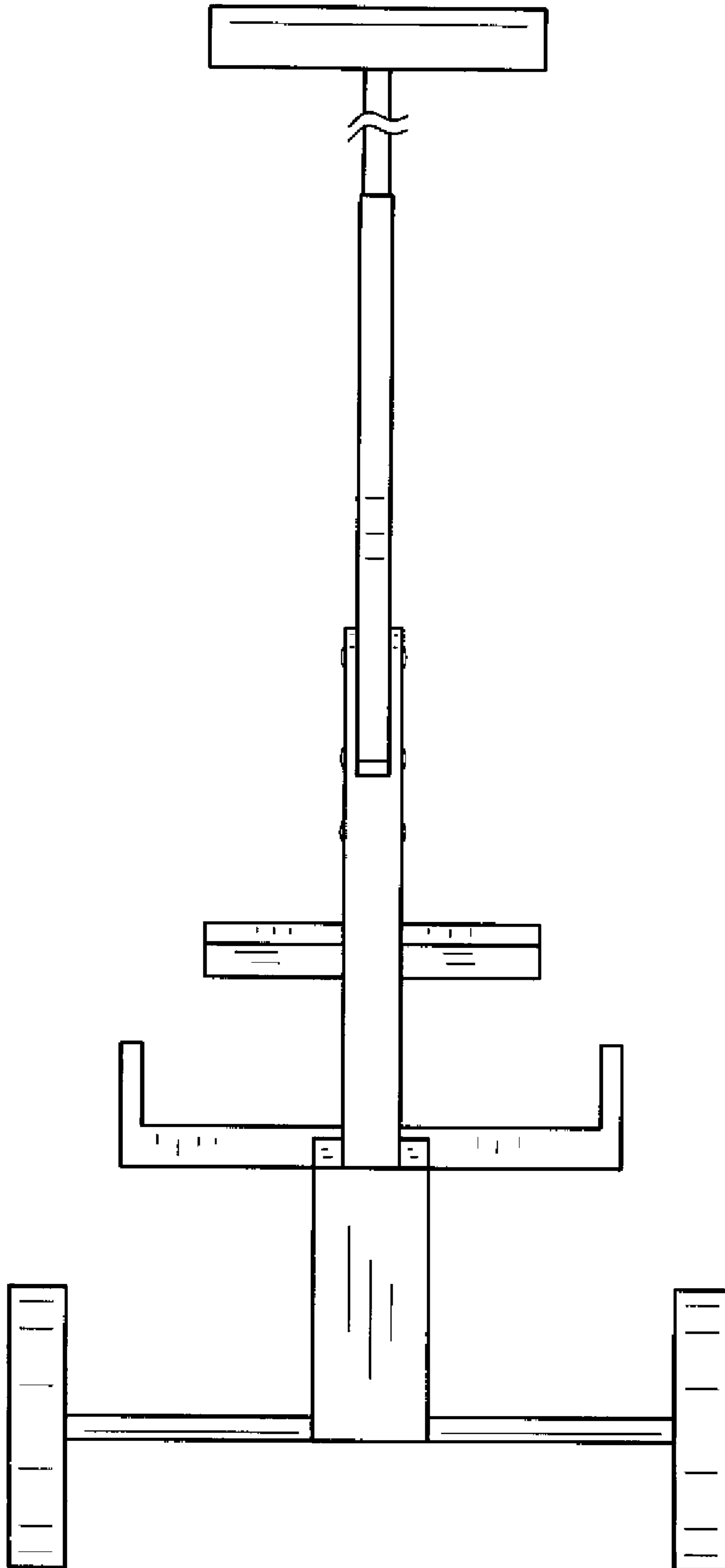


FIG. 3



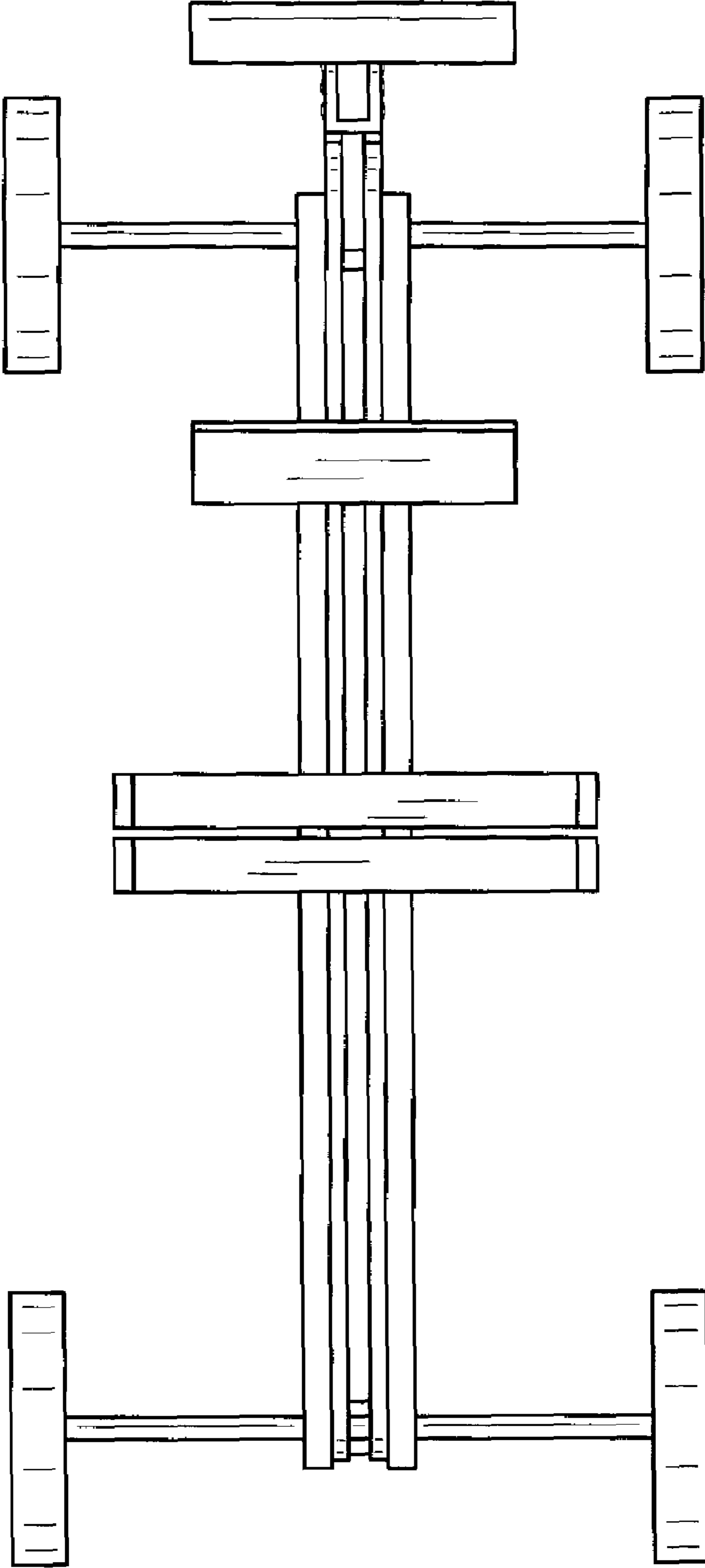


FIG. 4

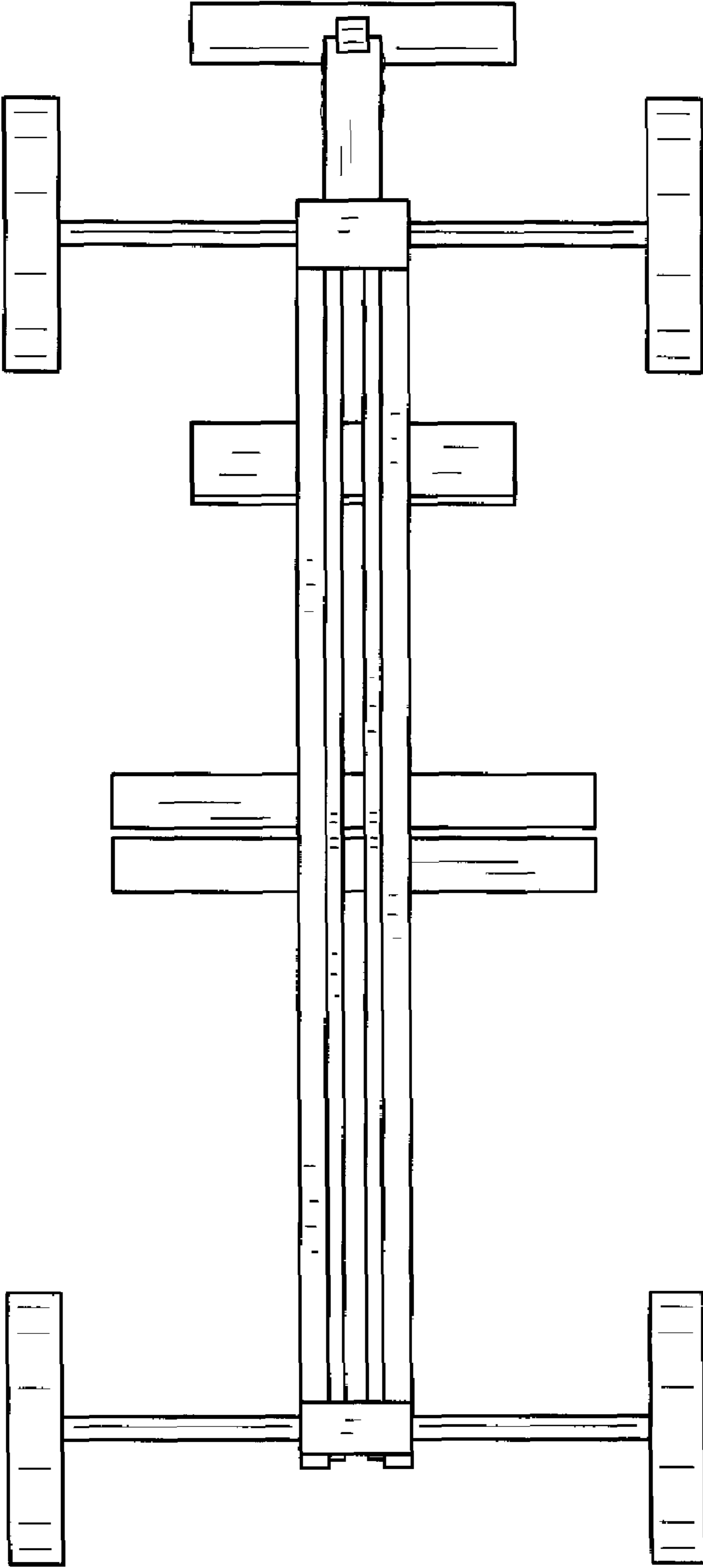


FIG. 5

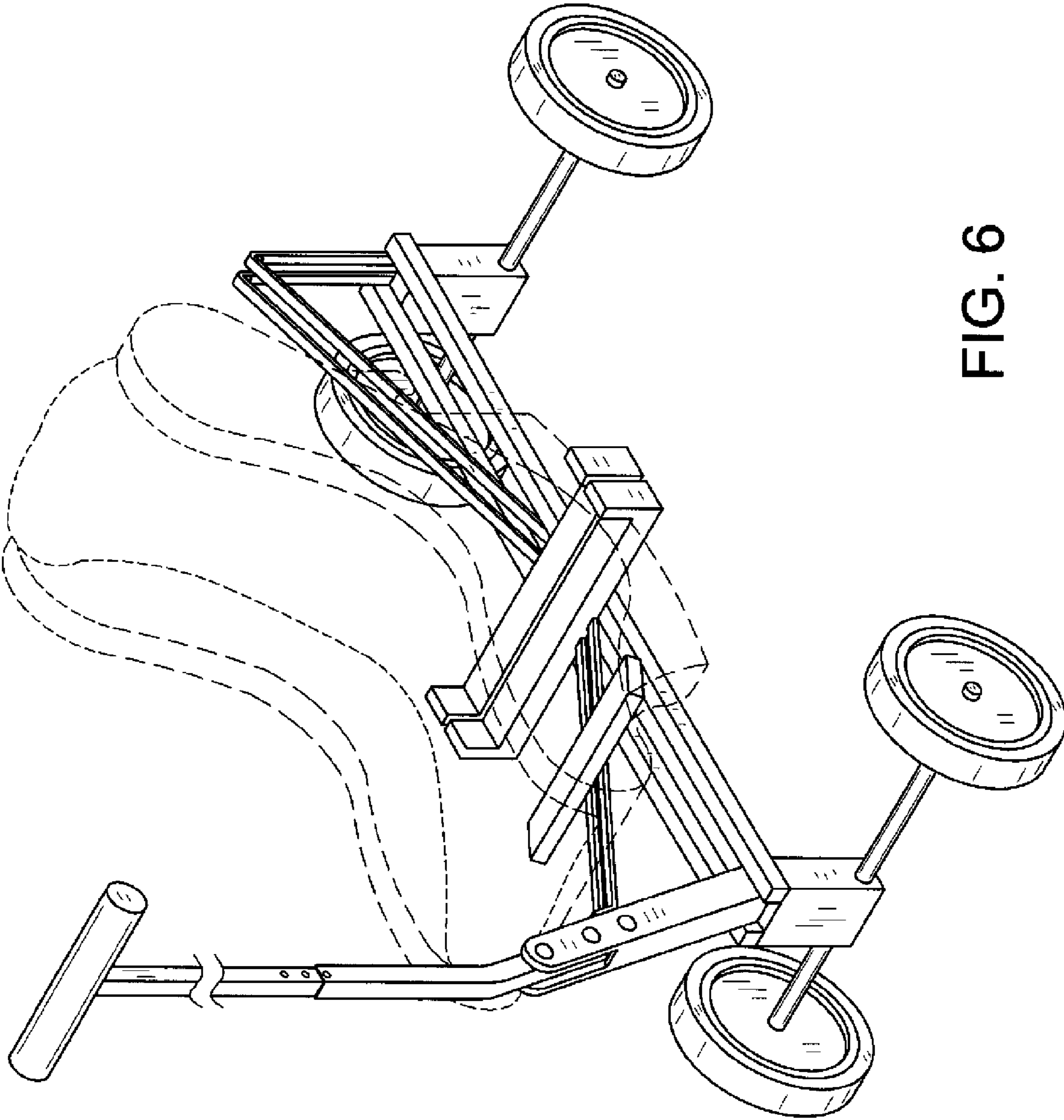


FIG. 6