



US00D611393S

(12) **United States Design Patent**
Liljedahl

(10) **Patent No.:** **US D611,393 S**
(45) **Date of Patent:** **** Mar. 9, 2010**

(54) **STRETCHER**

(75) Inventor: **Gunnar Liljedahl**, Luleå (SE)

(73) Assignee: **LIKO Research & Development AB**,
Lulea (SE)

(**) Term: **14 Years**

(21) Appl. No.: **29/328,470**

(22) Filed: **Nov. 25, 2008**

(30) **Foreign Application Priority Data**

Jun. 9, 2008 (EM) 000947924

(51) **LOC (9) Cl.** **12-12**

(52) **U.S. Cl.** **D12/128; D34/28**

(58) **Field of Classification Search** D12/128-133;
D34/28, 35, 37; 280/62, 647-650, 29, 200,
280/47.38, 250.1, 259, 642, 658; 297/DIG. 4;
296/65.03, 65.04; 224/409; D3/5, 7, 10,
D3/11, 17

See application file for complete search history.

(56) **References Cited**

U.S. PATENT DOCUMENTS

2,975,434	A *	3/1961	Butler et al.	5/86.1
4,086,672	A *	5/1978	Nilsson	5/85.1
4,837,874	A *	6/1989	Giercarz et al.	5/84.1
4,939,801	A *	7/1990	Schaal et al.	5/607
D327,763	S *	7/1992	Silbersky et al.	D34/28
5,283,917	A *	2/1994	Dietze	5/83.1

5,315,723	A *	5/1994	Smith	5/85.1
6,112,346	A *	9/2000	Agadzi	5/86.1
6,557,189	B2 *	5/2003	Von Schroeter	5/86.1
7,328,467	B2 *	2/2008	Aarestad	5/83.1

* cited by examiner

Primary Examiner—Charles A Rademaker

Assistant Examiner—Charles D Hanson

(74) *Attorney, Agent, or Firm*—Dinsmore & Shohl LLP

(57) **CLAIM**

The ornamental design for a stretcher, as shown and described.

DESCRIPTION

FIG. 1 is a perspective view of the stretcher of the present invention;

FIG. 2 is a top view of the stretcher of the present invention;

FIG. 3 is a bottom view of the stretcher of the present invention;

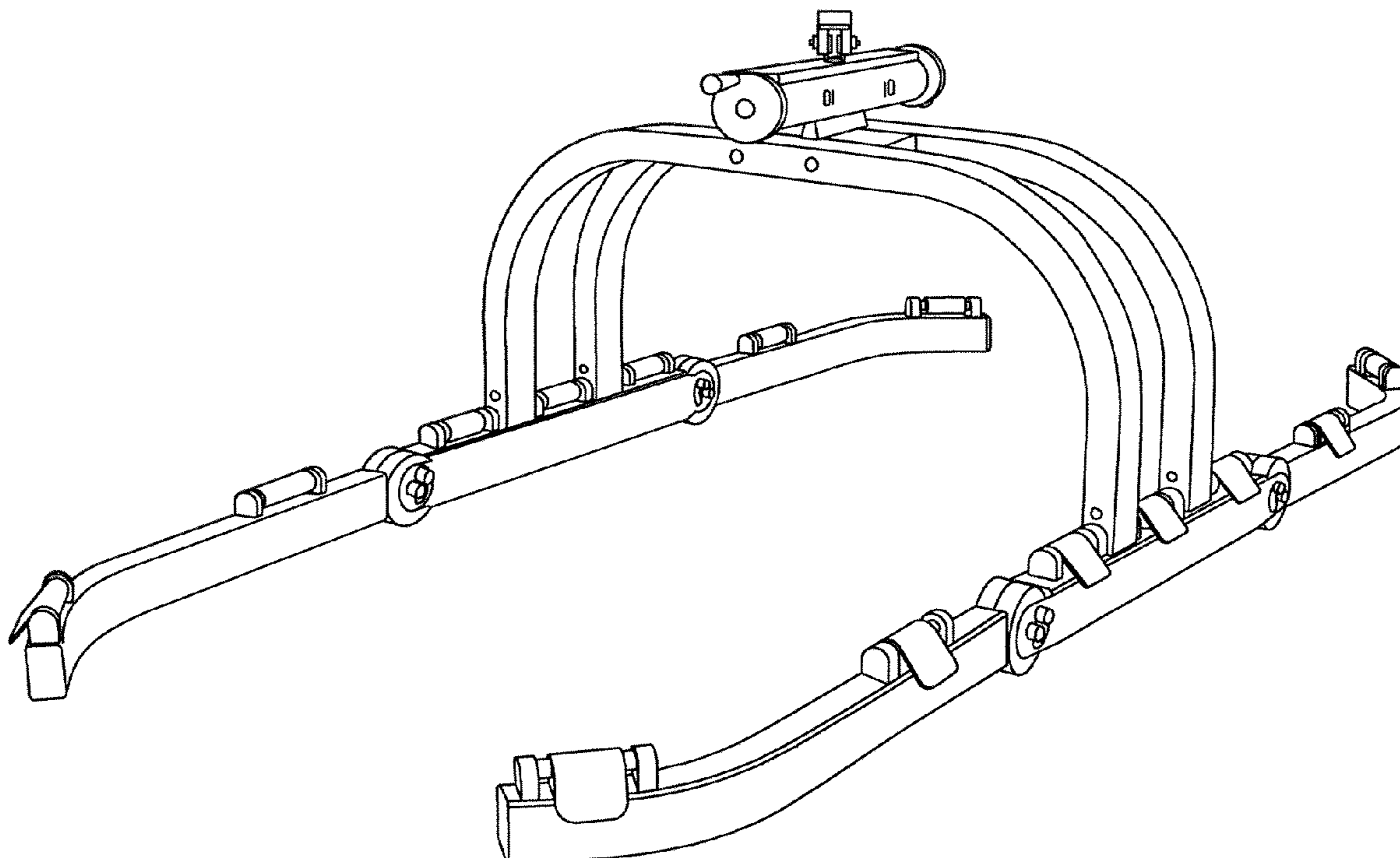
FIG. 4 is a first end view of the stretcher of the present invention;

FIG. 5 is a second end view, opposite to FIG. 4, of the stretcher of the present invention;

FIG. 6 is a first side view of the stretcher of the present invention; and,

FIG. 7 is another side view showing the side opposite to FIG. 6, of the stretcher of the present invention.

1 Claim, 7 Drawing Sheets



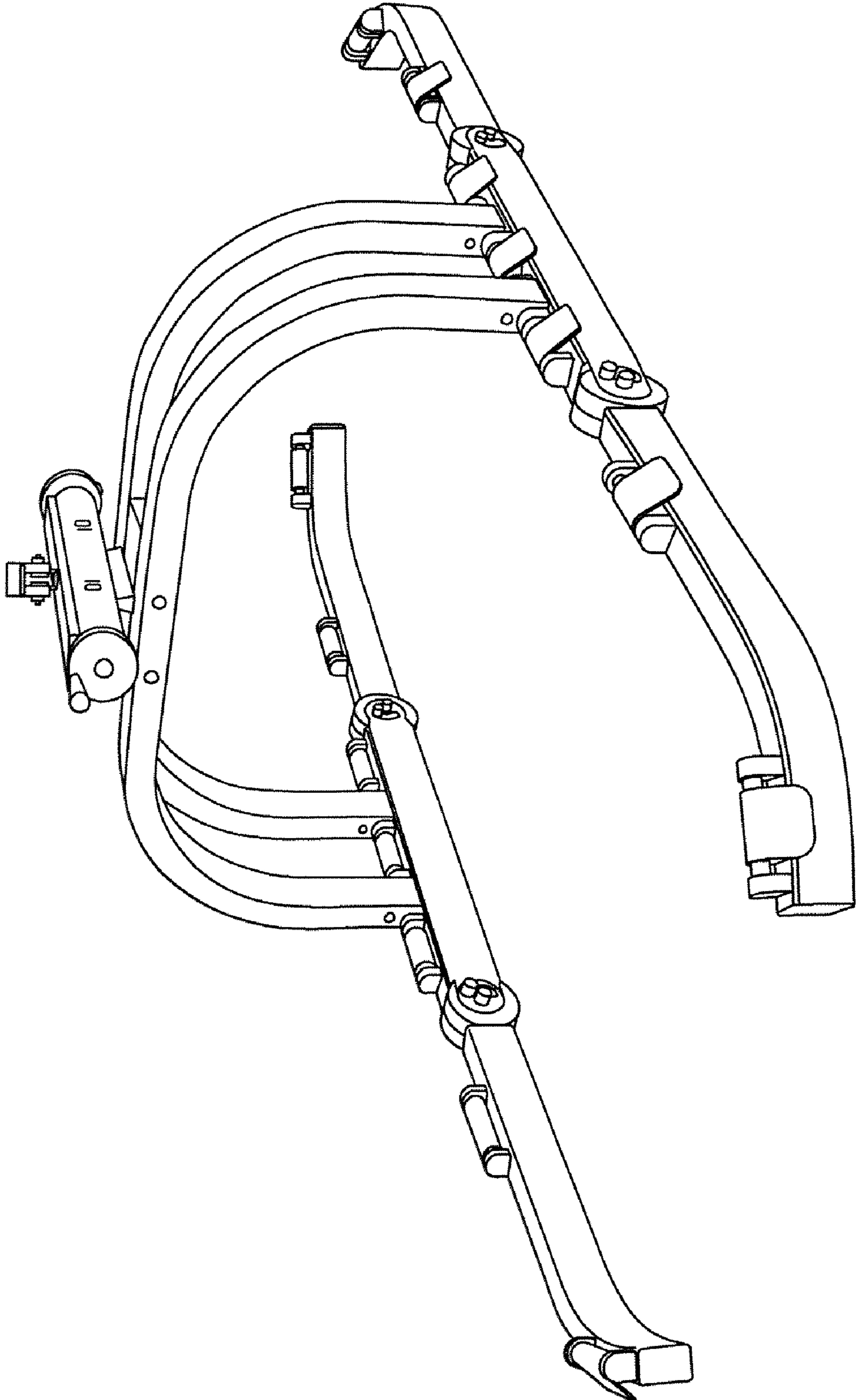


FIG. 1

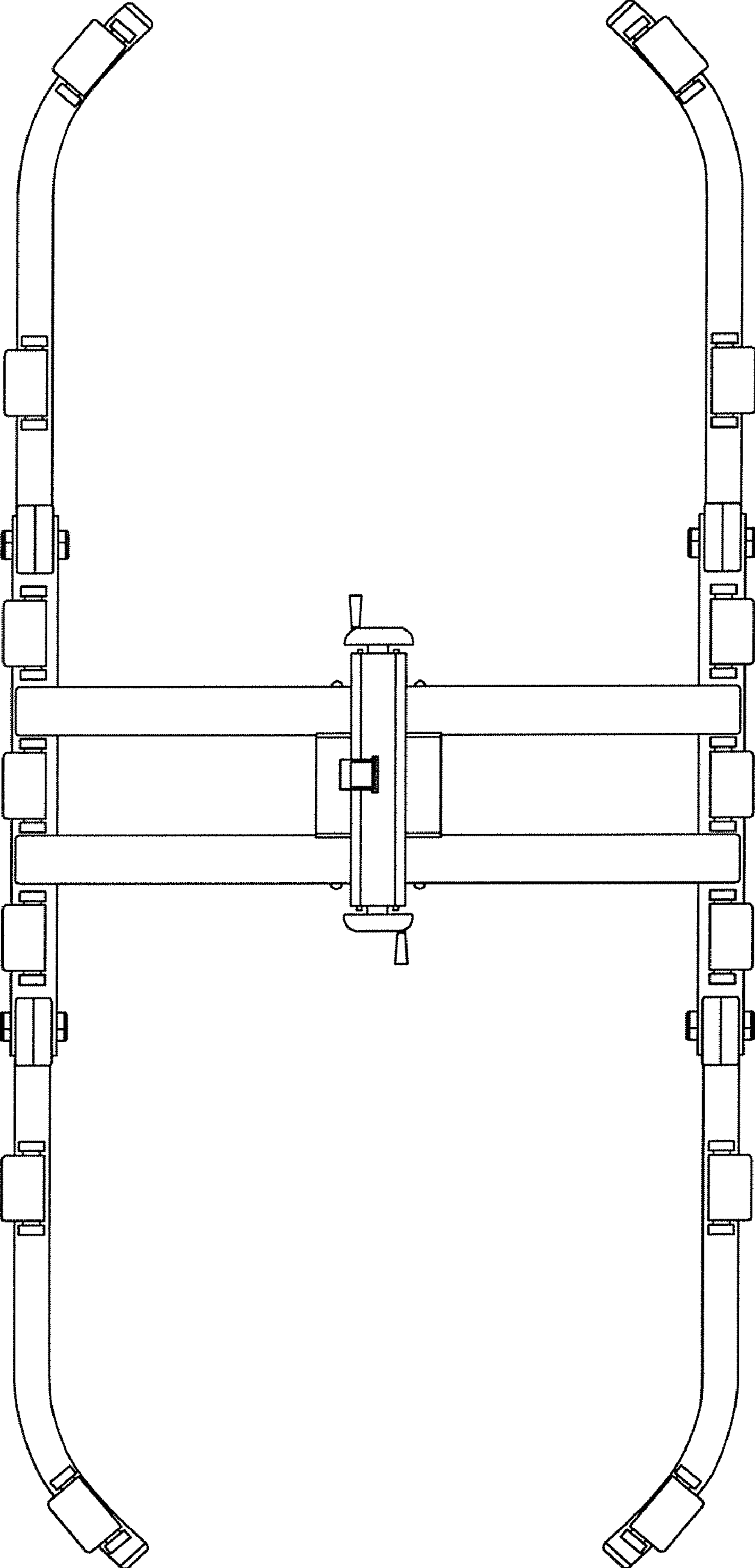


FIG. 2

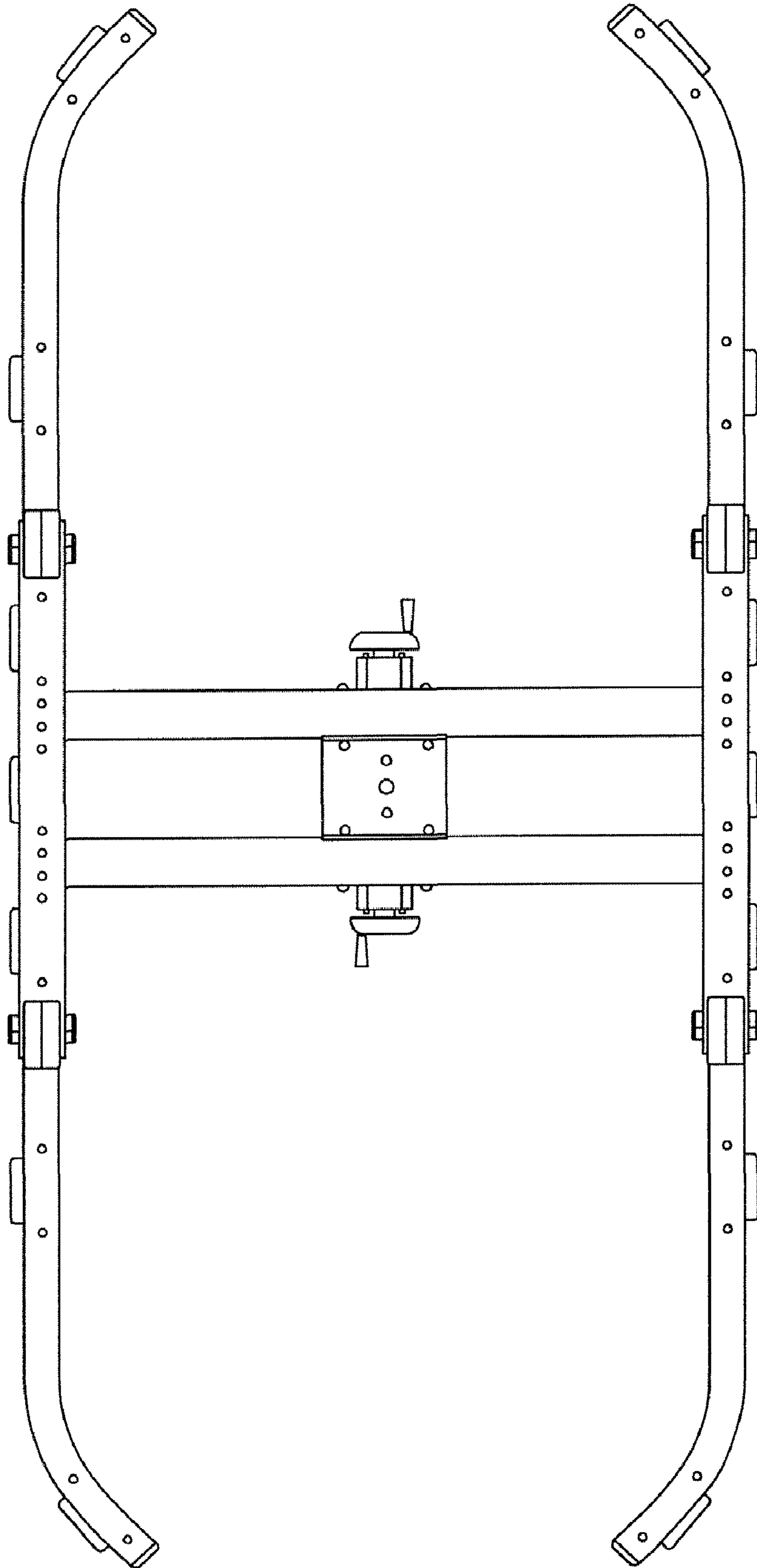


FIG. 3

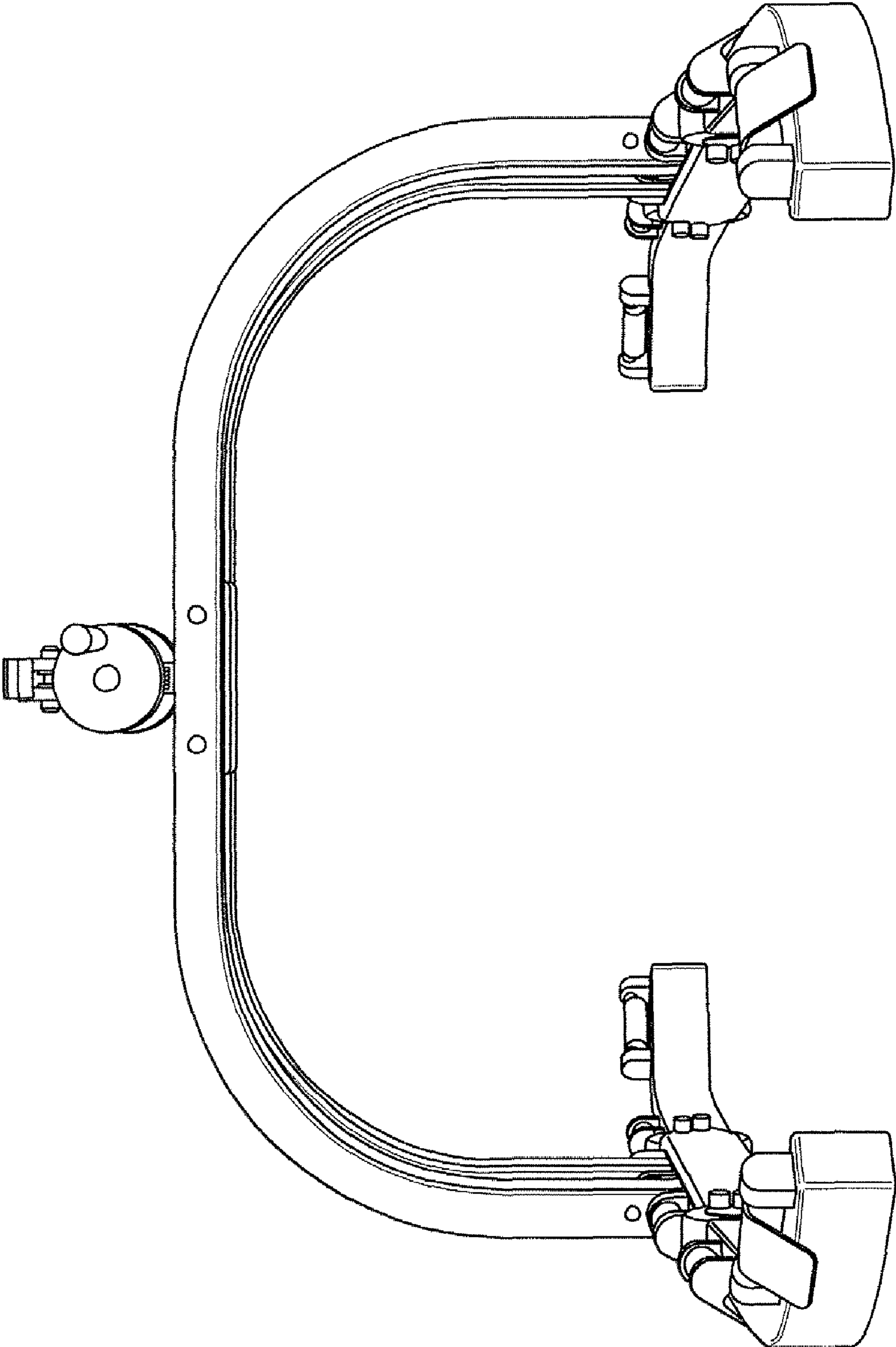


FIG. 4

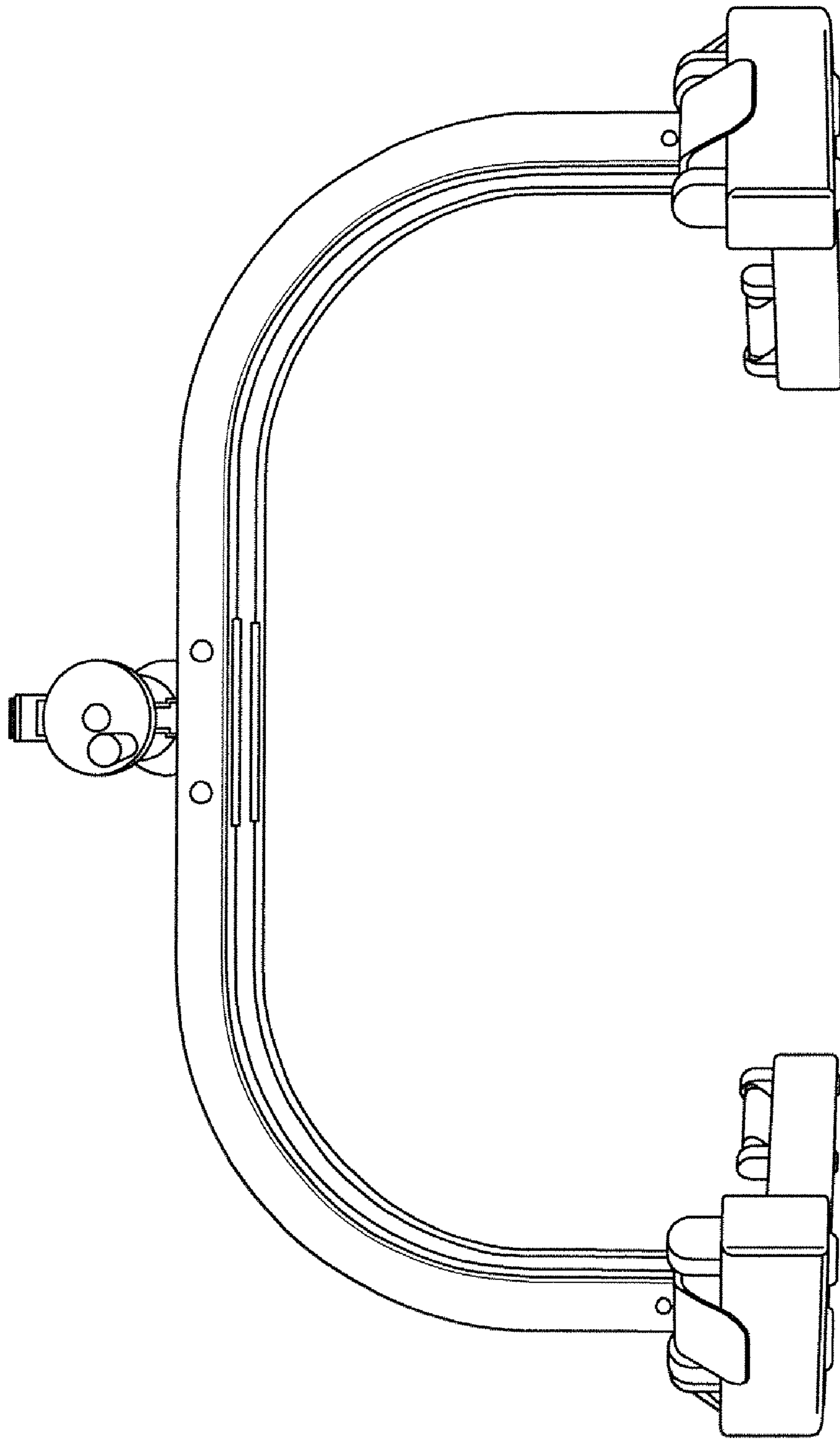


FIG. 5

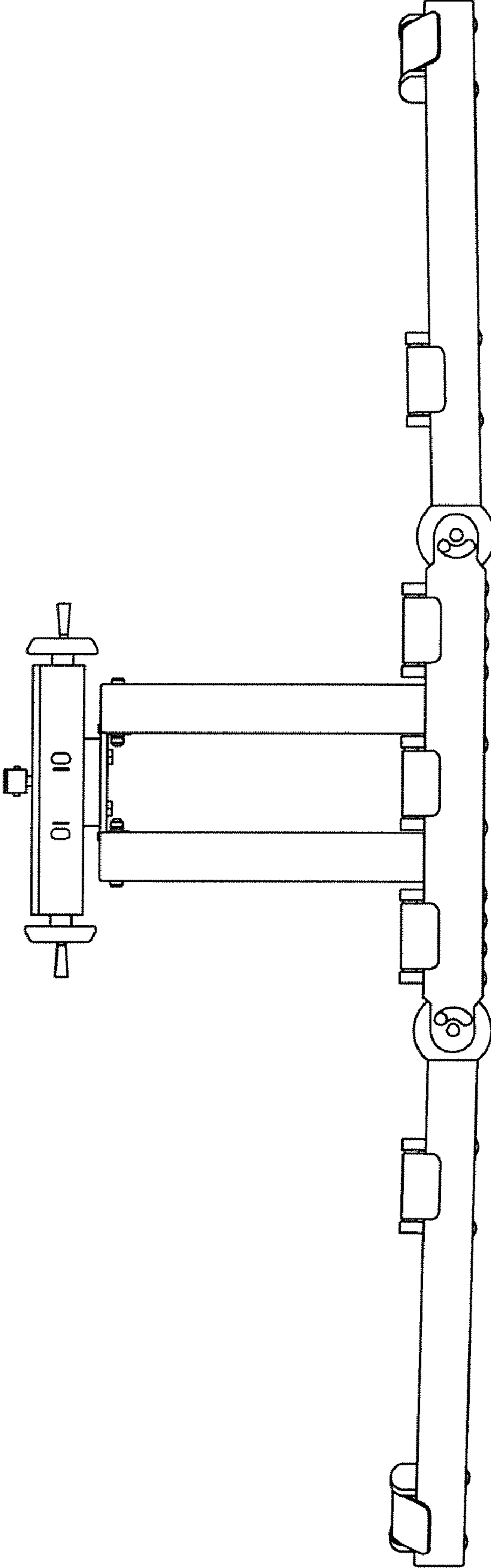


FIG. 6

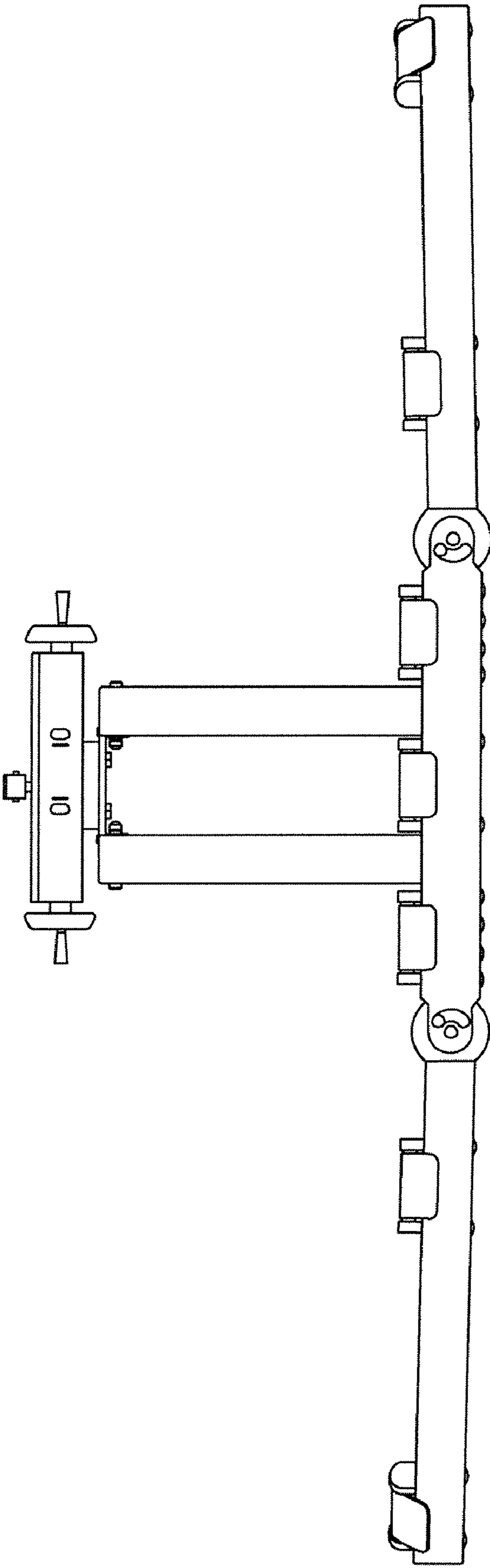


FIG. 7