



US00D611392S

(12) **United States Design Patent**
Carlton et al.

(10) **Patent No.:** **US D611,392 S**
(45) **Date of Patent:** **** Mar. 9, 2010**

(54) **SCOOTER**

(75) Inventors: **Robert A. Carlton**, Ringgold, GA (US);
Charles J. Martis, Harding, PA (US)

(73) Assignee: **Pride Mobility Products Corporation**,
Exeter, PA (US)

(**) Term: **14 Years**

(21) Appl. No.: **29/326,217**

(22) Filed: **Oct. 14, 2008**

(51) **LOC (9) Cl.** **12-12**

(52) **U.S. Cl.** **D12/128**

(58) **Field of Classification Search** D12/128-133;
D21/433; D34/12, 27, 30; 280/62, 647-650,
280/29, 200, 47.38, 250.1, 259, 642, 658;
296/65.03, 65.04; 297/DIG. 4; 135/65-67,
135/74

See application file for complete search history.

(56) **References Cited**

U.S. PATENT DOCUMENTS

D275,379 S *	9/1984	Wenzel	D12/85
D396,834 S *	8/1998	Wu	D12/131
D479,496 S *	9/2003	Tsai et al.	D12/128
D489,296 S *	5/2004	Tsai	D12/131
D490,029 S *	5/2004	Chao	D12/131
D490,753 S *	6/2004	Tsai	D12/128
D494,512 S *	8/2004	Cheng	D12/131

D508,664 S *	8/2005	Armstrong et al.	D12/128
D509,774 S *	9/2005	Chen	D12/131
D511,720 S *	11/2005	Chen	D12/128
D517,456 S *	3/2006	Wu et al.	D12/131
D530,650 S *	10/2006	Azuma et al.	D12/131
D536,283 S *	2/2007	Cartellone et al.	D12/131

* cited by examiner

Primary Examiner—Charles A Rademaker

Assistant Examiner—Charles D Hanson

(74) *Attorney, Agent, or Firm*—Woodcock Washburn LLP

(57) **CLAIM**

We claim the ornamental design for a scooter, as shown and described.

DESCRIPTION

FIG. 1 is a front perspective view of a scooter according to our design.

FIG. 2 is a back perspective view thereof.

FIG. 3 is a front view thereof.

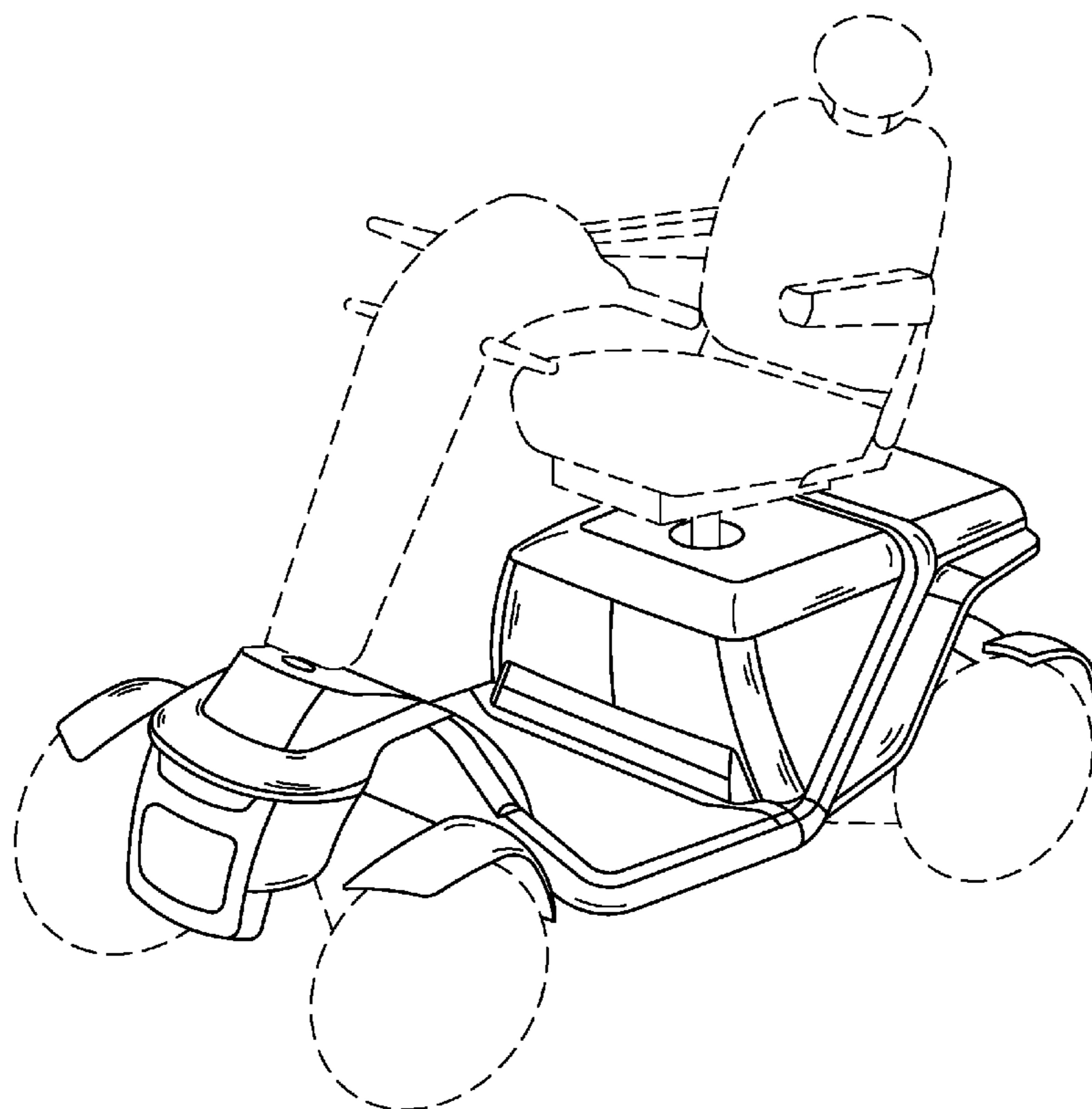
FIG. 4 is a back view thereof.

FIG. 5 is a left side view thereof; and,

FIG. 6 is a top view thereof.

The portions of the drawings appearing in broken line are for environment only and do not form a part of the claimed design.

1 Claim, 6 Drawing Sheets



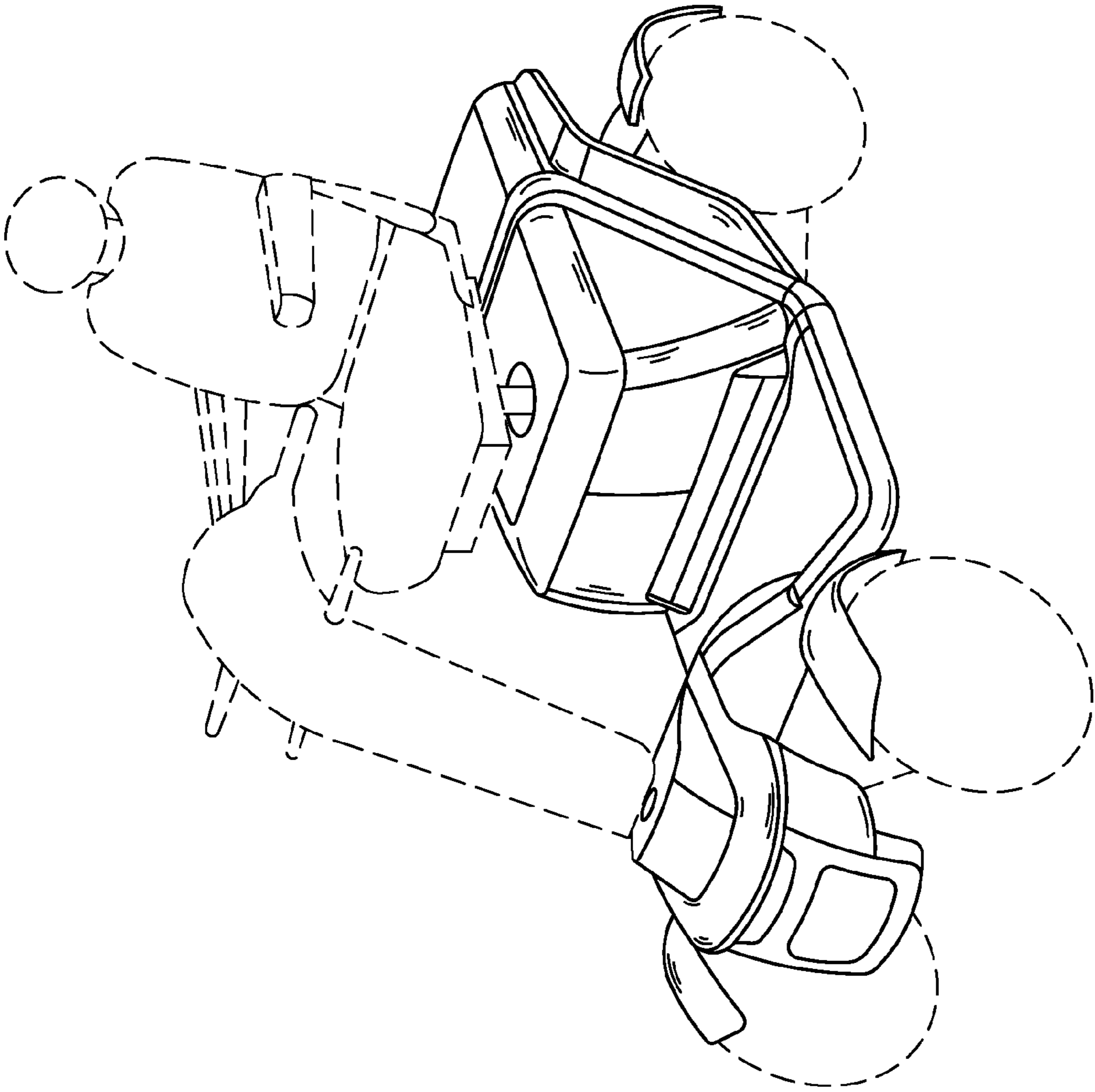


FIG. 1

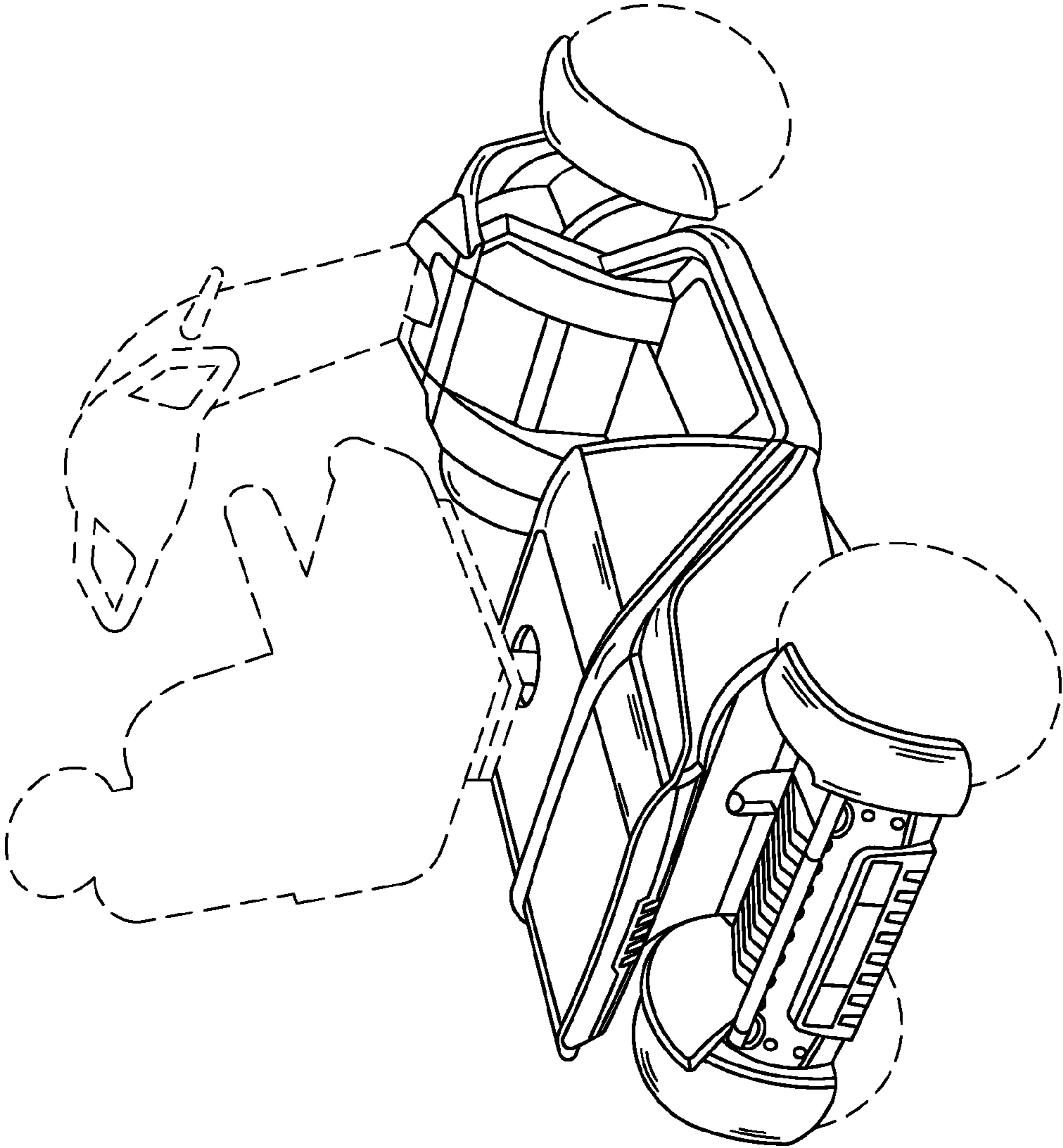


FIG. 2

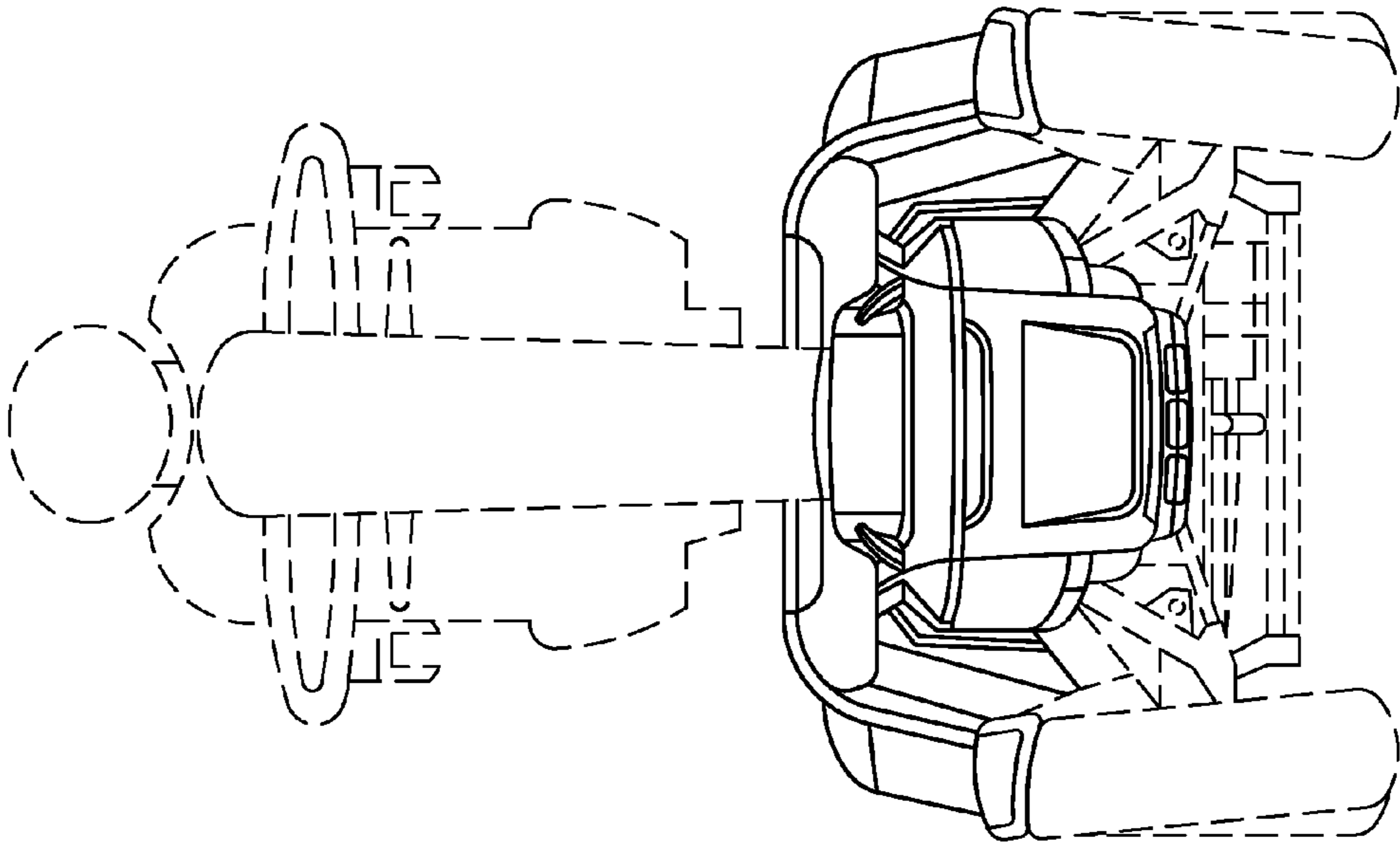


FIG. 3

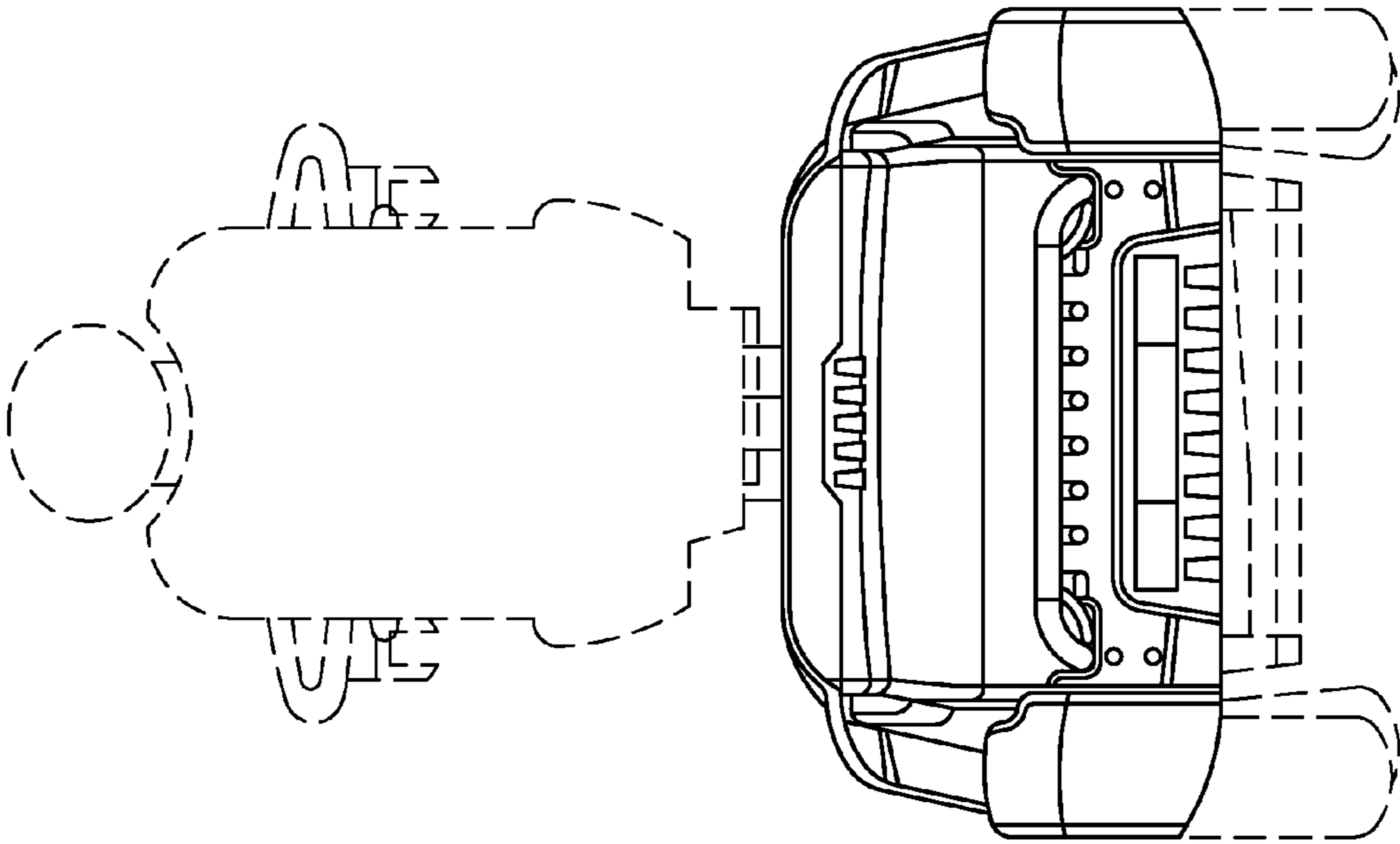


FIG. 4

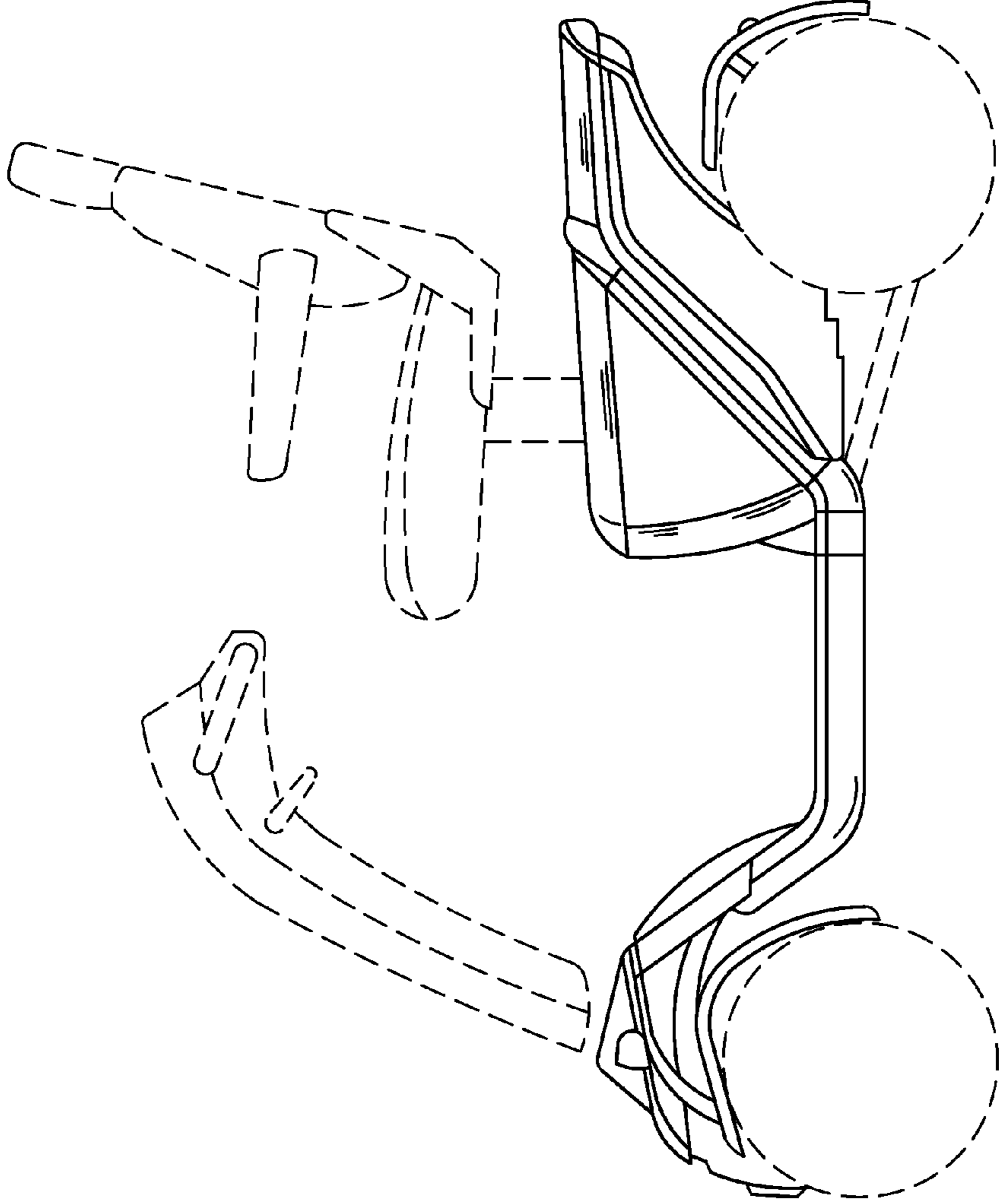


FIG. 5

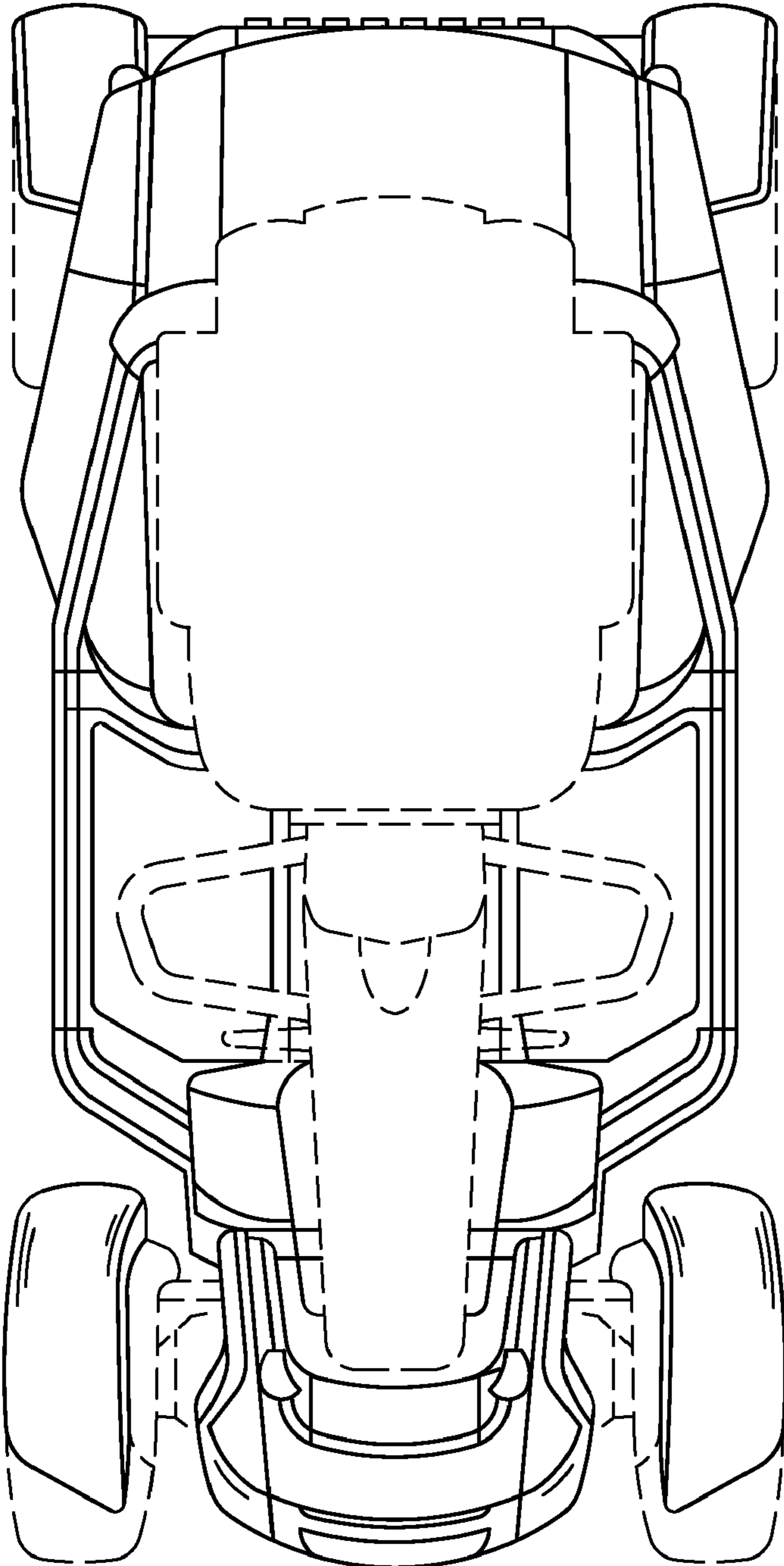


FIG. 6