



US00D611386S

(12) **United States Design Patent**  
**David**

(10) **Patent No.:** **US D611,386 S**  
(45) **Date of Patent:** **\*\* Mar. 9, 2010**

(54) **SEATBELT ADAPTOR**

(76) **Inventor:** **Yair David**, 6 Ankor St., Ramat Hasharon (IL) 47229

(\*\*) **Term:** **14 Years**

(21) **Appl. No.:** **29/350,900**

(22) **Filed:** **Nov. 25, 2009**

**Related U.S. Application Data**

(62) Division of application No. 29/344,056, filed on Sep. 23, 2009, now Pat. No. Des. 607,774, which is a division of application No. 29/320,826, filed on Jul. 4, 2008, now Pat. No. Des. 603,752.

(51) **LOC (9) Cl.** ..... **02-07**

(52) **U.S. Cl.** ..... **D11/216; D11/200**

(58) **Field of Classification Search** ..... D11/1-2, D11/200-201, 203-206, 210, 212, 214-219, D11/222, 224, 226; 24/163 R, 169-171, 24/173, 177-179, 191, 194-195, 197, 200  
See application file for complete search history.

(56) **References Cited**

**U.S. PATENT DOCUMENTS**

2,876,516 A	3/1959	Cummings
D213,087 S	1/1969	Klink
D302,140 S	7/1989	Johnston
5,121,527 A	6/1992	Righi
D333,640 S	3/1993	Keller

5,381,590 A	1/1995	Liou et al.
5,742,986 A	4/1998	Corrion et al.
D407,667 S	4/1999	Homeier
6,520,392 B2	2/2003	Thibodeau et al.
6,769,157 B1	8/2004	Meal
D562,371 S *	2/2008	Erickson ..... D11/216
7,383,620 B2	6/2008	Smith
D575,669 S	8/2008	David et al.
D578,931 S	10/2008	Totzman et al.
2006/0267394 A1	11/2006	David et al.
2007/0075580 A1	4/2007	David et al.

\* cited by examiner

*Primary Examiner*—Ralf Seifert

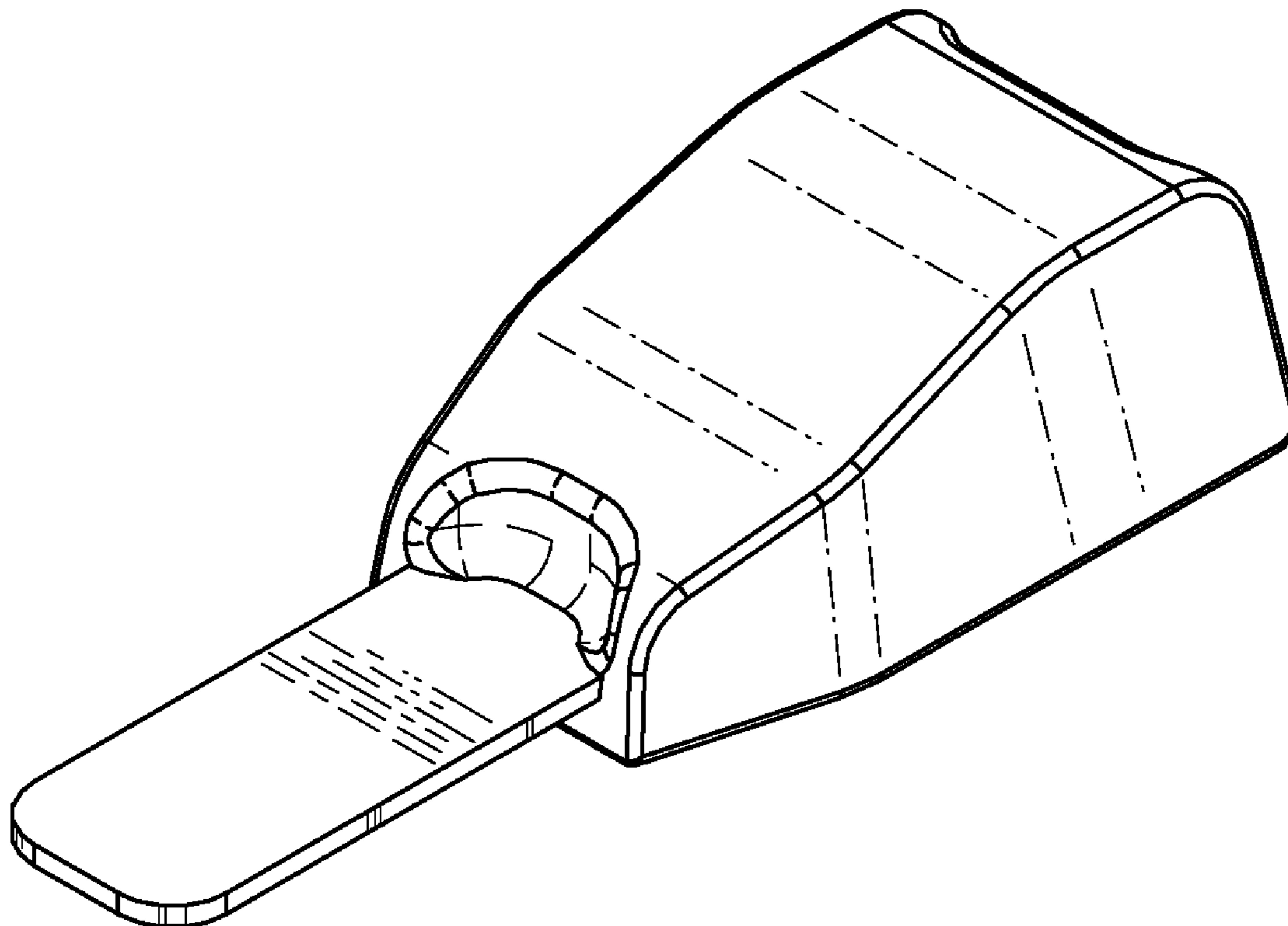
(57) **CLAIM**

The ornamental design for a seatbelt adaptor, as shown and described.

**DESCRIPTION**

FIG. 1 is a top view of an embodiment of a seatbelt adaptor in accordance with the present invention;  
FIG. 2 is a left side view of the embodiment thereof  
FIG. 3 is a front view of the embodiment thereof;  
FIG. 4 is a bottom view of the embodiment thereof;  
FIG. 5 is a right side view of the embodiment thereof;  
FIG. 6 is a rear view of the embodiment thereof; and,  
FIG. 7 is an upper front left isometric view of the embodiment thereof.

**1 Claim, 3 Drawing Sheets**



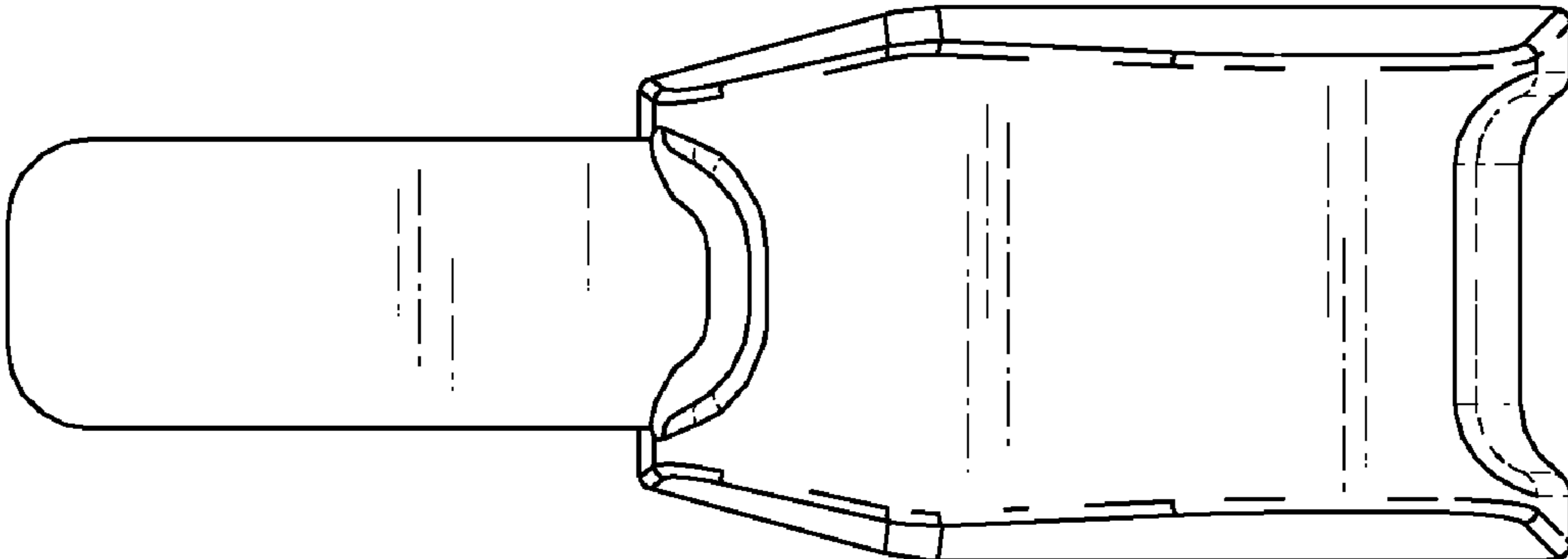


Fig. 1

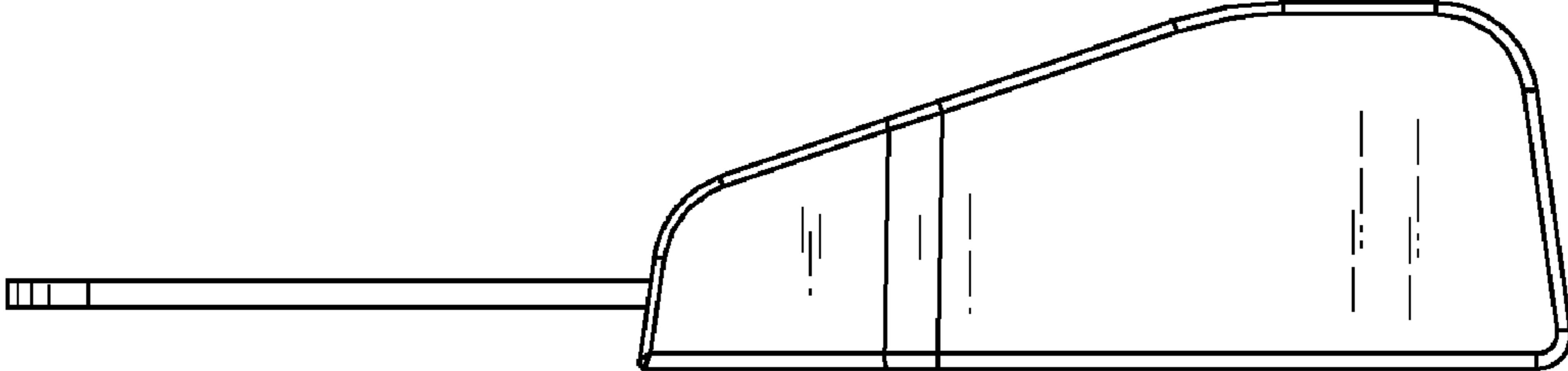


Fig. 2

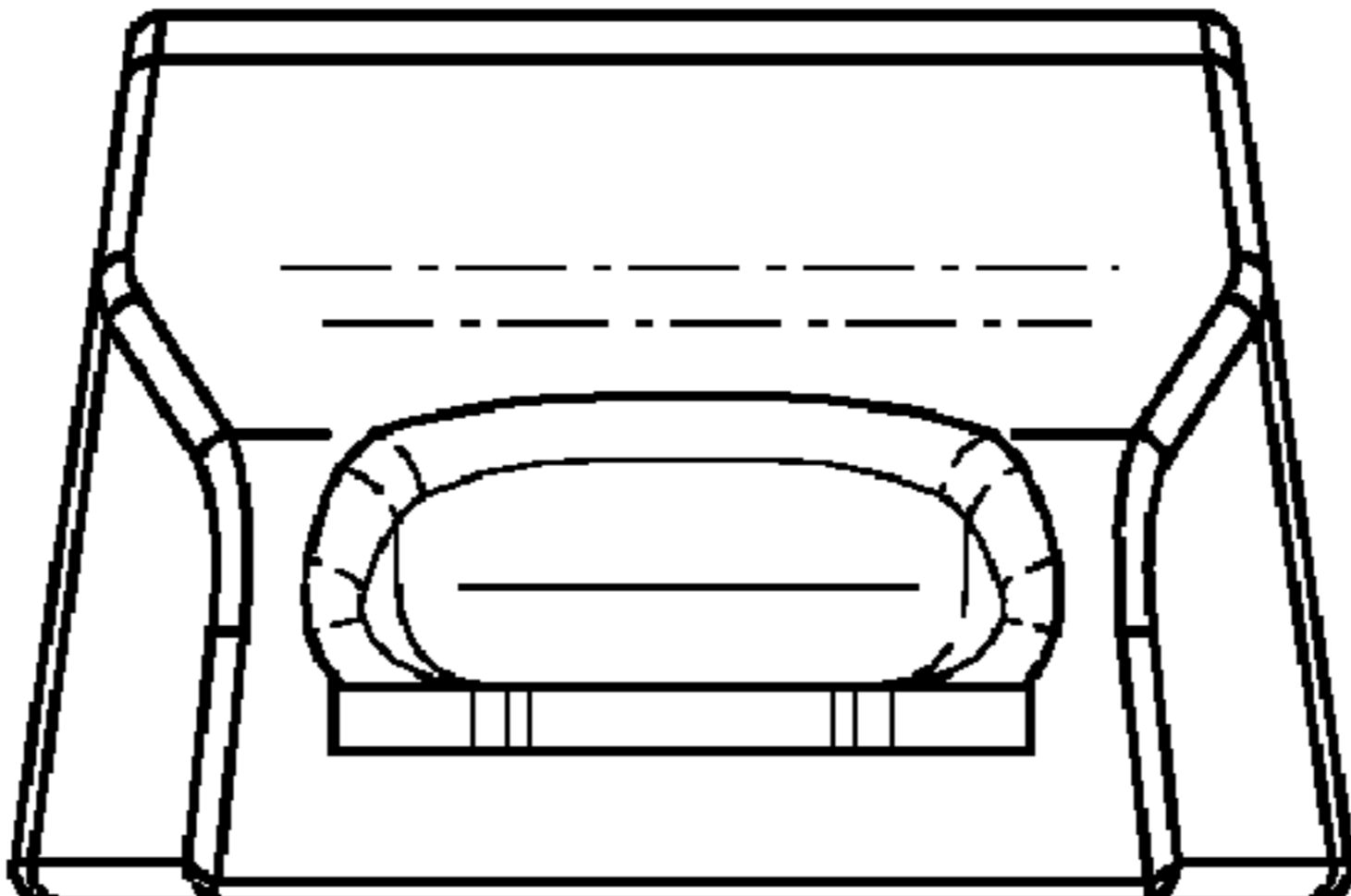


Fig. 3

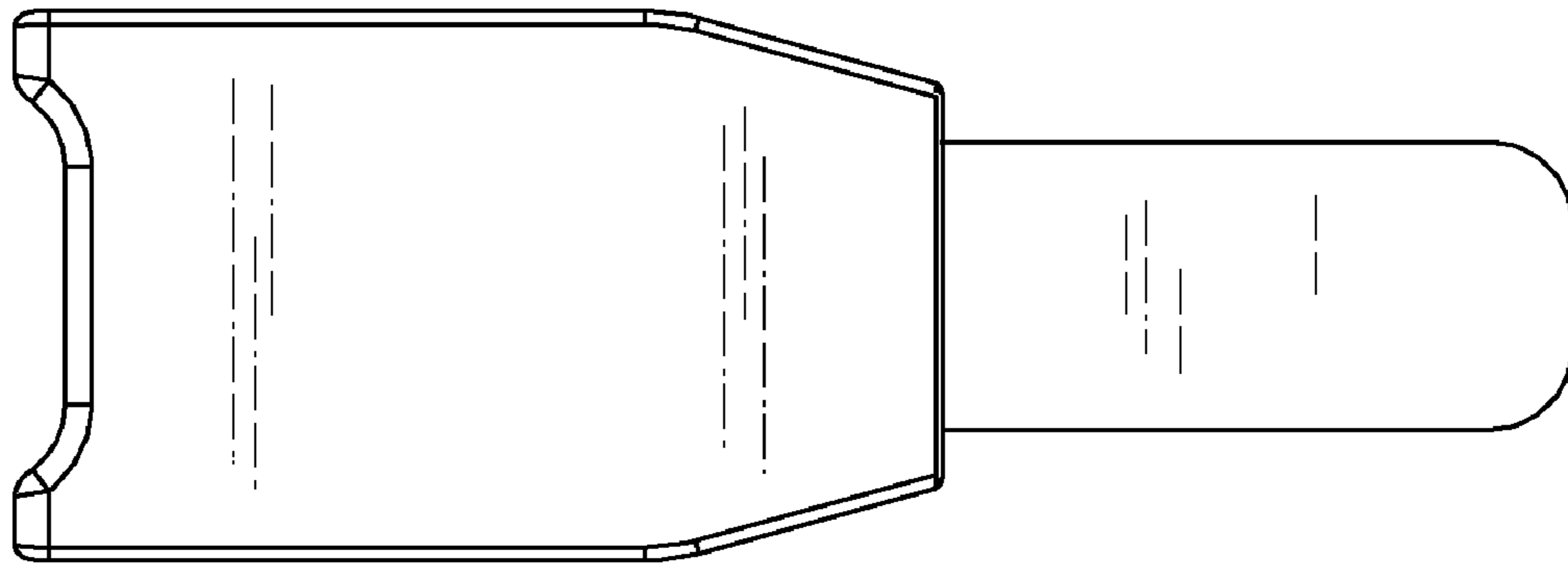


Fig. 4

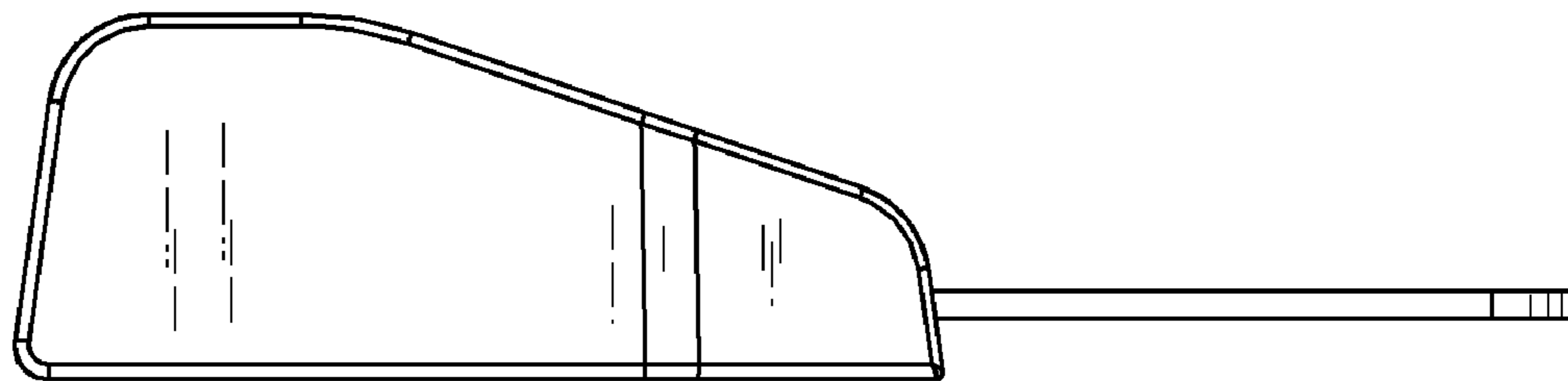


Fig. 5

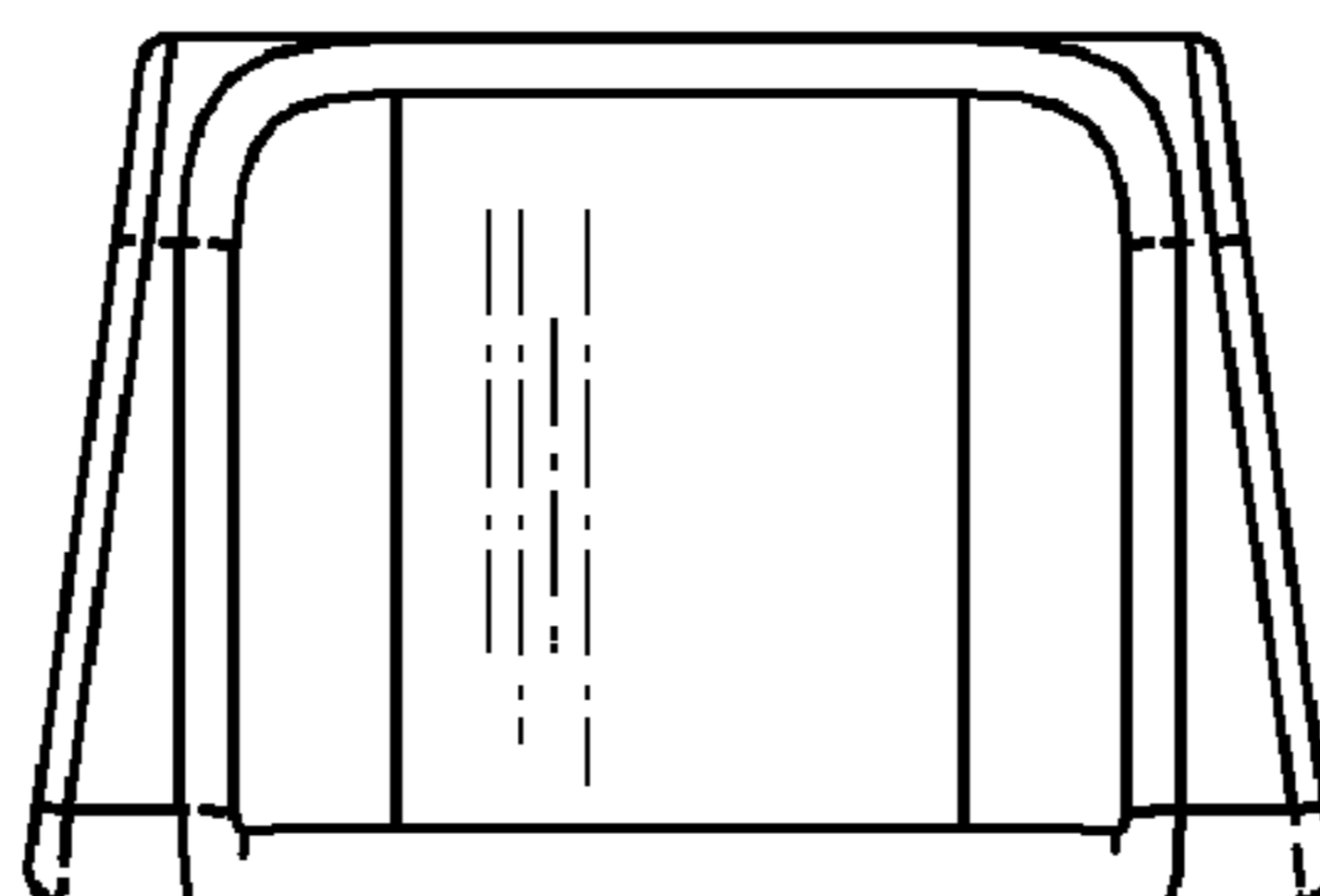


Fig. 6

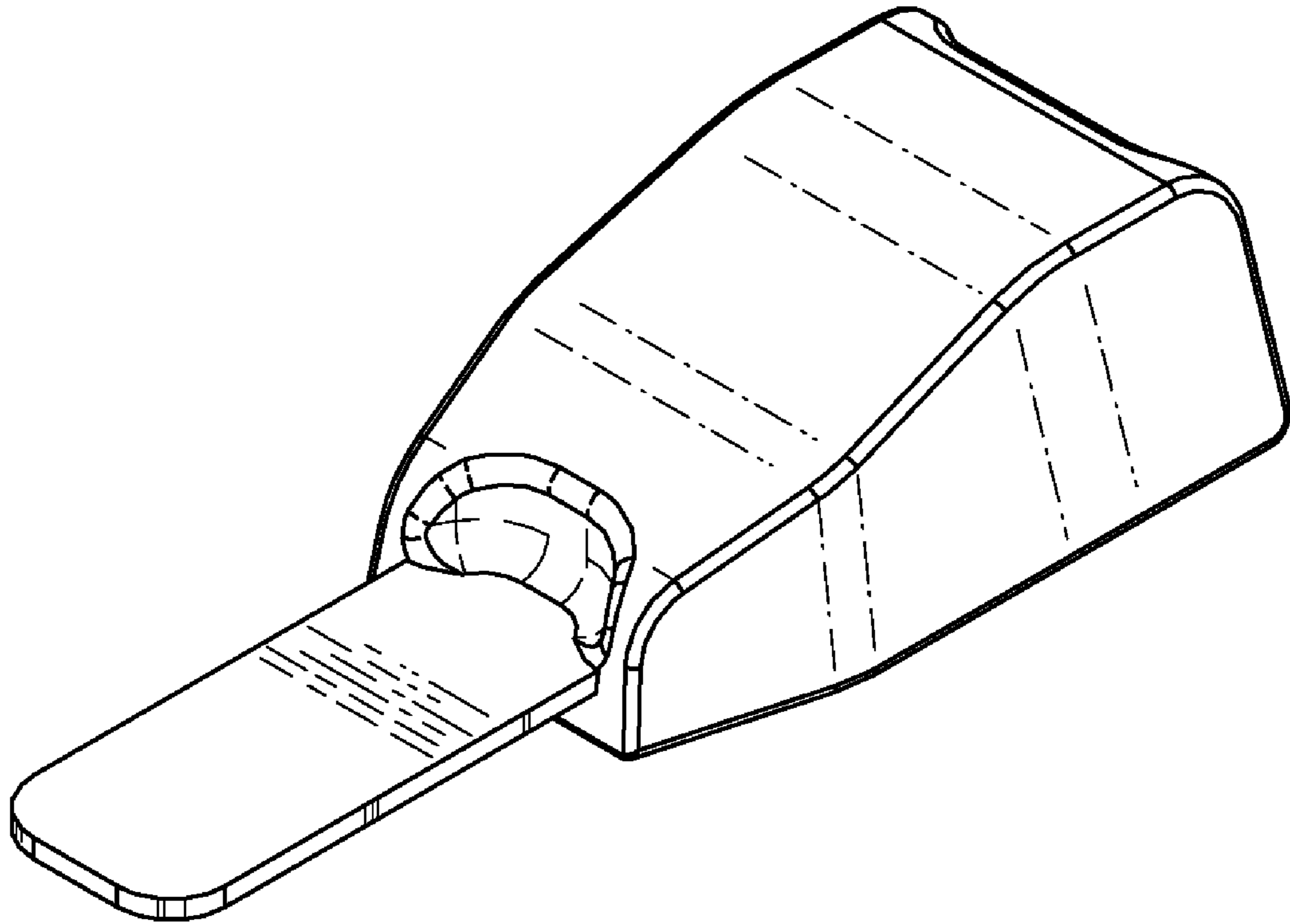


Fig. 7