



US00D611384S

(12) **United States Design Patent**
Biegel

(10) **Patent No.:** **US D611,384 S**
(45) **Date of Patent:** **** Mar. 9, 2010**

(54) **PLANT POT**

(76) Inventor: **Achim Biegel**, Humweilerstraße 73 b,
Oberthal (DE) 66649

(**) Term: **14 Years**

(21) Appl. No.: **29/345,864**

(22) Filed: **Oct. 23, 2009**

(51) **LOC (9) Cl.** **11-02**

(52) **U.S. Cl.** **D11/152**

(58) **Field of Classification Search** D6/403-406,
D6/556-558; D8/1; D11/143-156, 164;
D19/77, 80-82, 84; D23/355, 356; D25/100;
D26/9-11, 16, 20, 22; D34/1, 2, 4-6; D99/5,
D99/19; 47/32.4, 32.5, 32.7, 33, 39, 41.01,
47/41.1, 41.11-41.15, 42-47, 65, 65.5, 65.9,
47/66.1, 66.6, 66.7, 67-71

See application file for complete search history.

(56) **References Cited**

U.S. PATENT DOCUMENTS

1,775,831	A *	9/1930	Salisbury	47/65.5
D110,286	S *	6/1938	Krehbiel	D11/152
3,009,603	A *	11/1961	Stockdale	47/65.5
D198,040	S *	4/1964	Bonham et al.	D11/147
RE28,854	E *	6/1976	Bufton	D11/152
D243,357	S *	2/1977	Gross	D11/152
D243,358	S *	2/1977	Gross	D11/152
D324,005	S *	2/1992	Grosfillex	D11/152
D366,855	S *	2/1996	Deelen	D11/152
5,649,386	A *	7/1997	Rynberk	47/41.14

D393,122	S *	3/1998	Browne	D34/1
D405,387	S *	2/1999	Masello	D11/152
D445,358	S *	7/2001	Simmons	D11/152
D564,394	S *	3/2008	Schmidt	D11/152
D569,764	S *	5/2008	Schmidt	D11/152
D570,159	S *	6/2008	McGill	D7/532
2003/0192239	A1 *	10/2003	Rogers	47/65.5

FOREIGN PATENT DOCUMENTS

EM	001130793-0006	S	7/2009
EM	001528175-0003	S	7/2009

* cited by examiner

Primary Examiner—Caron Veynar

Assistant Examiner—Garth Rademaker

(57) **CLAIM**

The ornamental design for a plant pot, as shown and described.

DESCRIPTION

FIG. 1 is a front elevational view of a plant pot showing my new design. The front elevational view is identical with the left side elevational view, the right side elevational view and the rear elevational view.

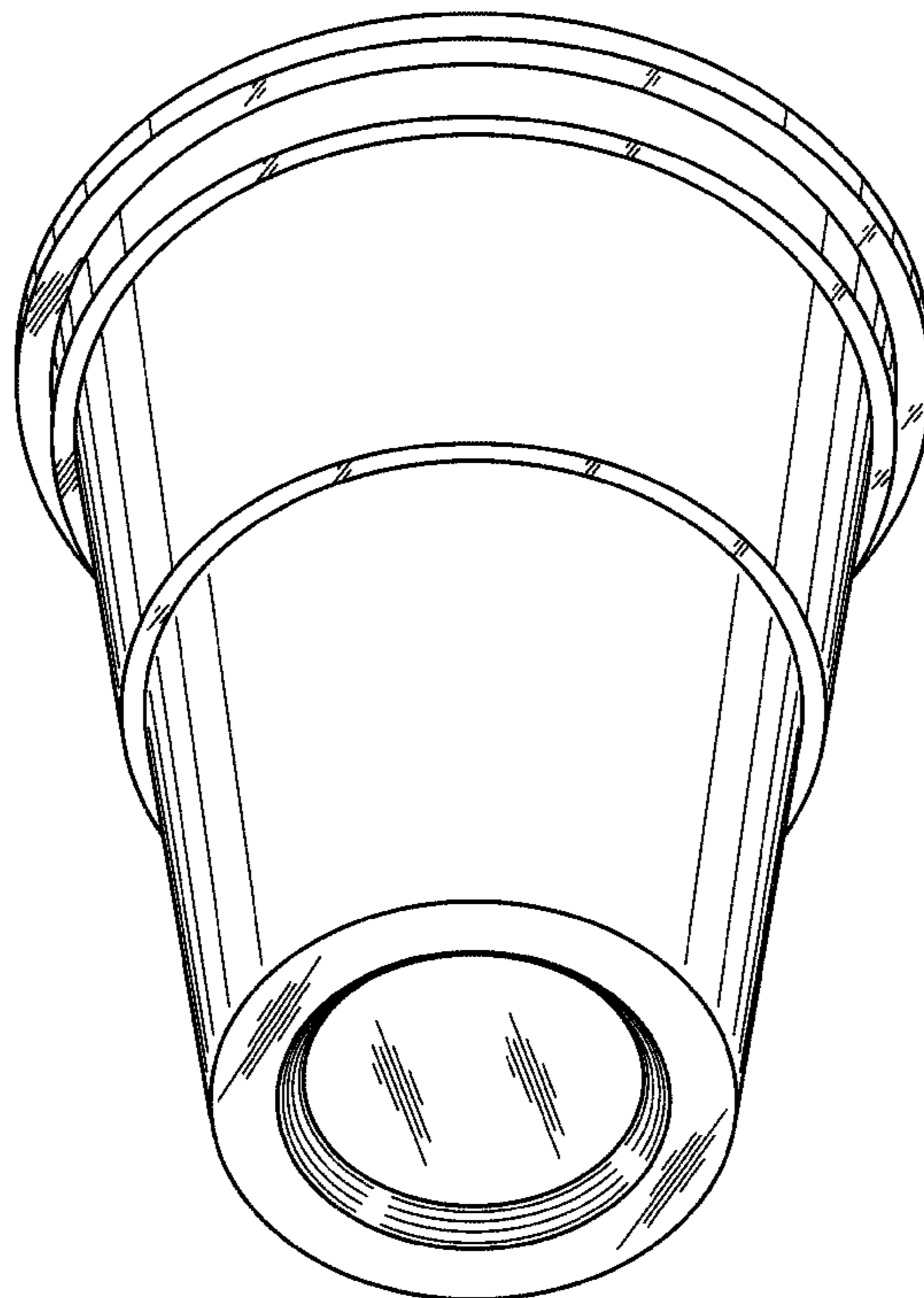
FIG. 2 is a top plan view thereof.

FIG. 3 is a bottom plan view thereof.

FIG. 4 is a perspective view of the top surface and the inside thereof; and,

FIG. 5 is a perspective view of the underside and the outside thereof.

1 Claim, 5 Drawing Sheets



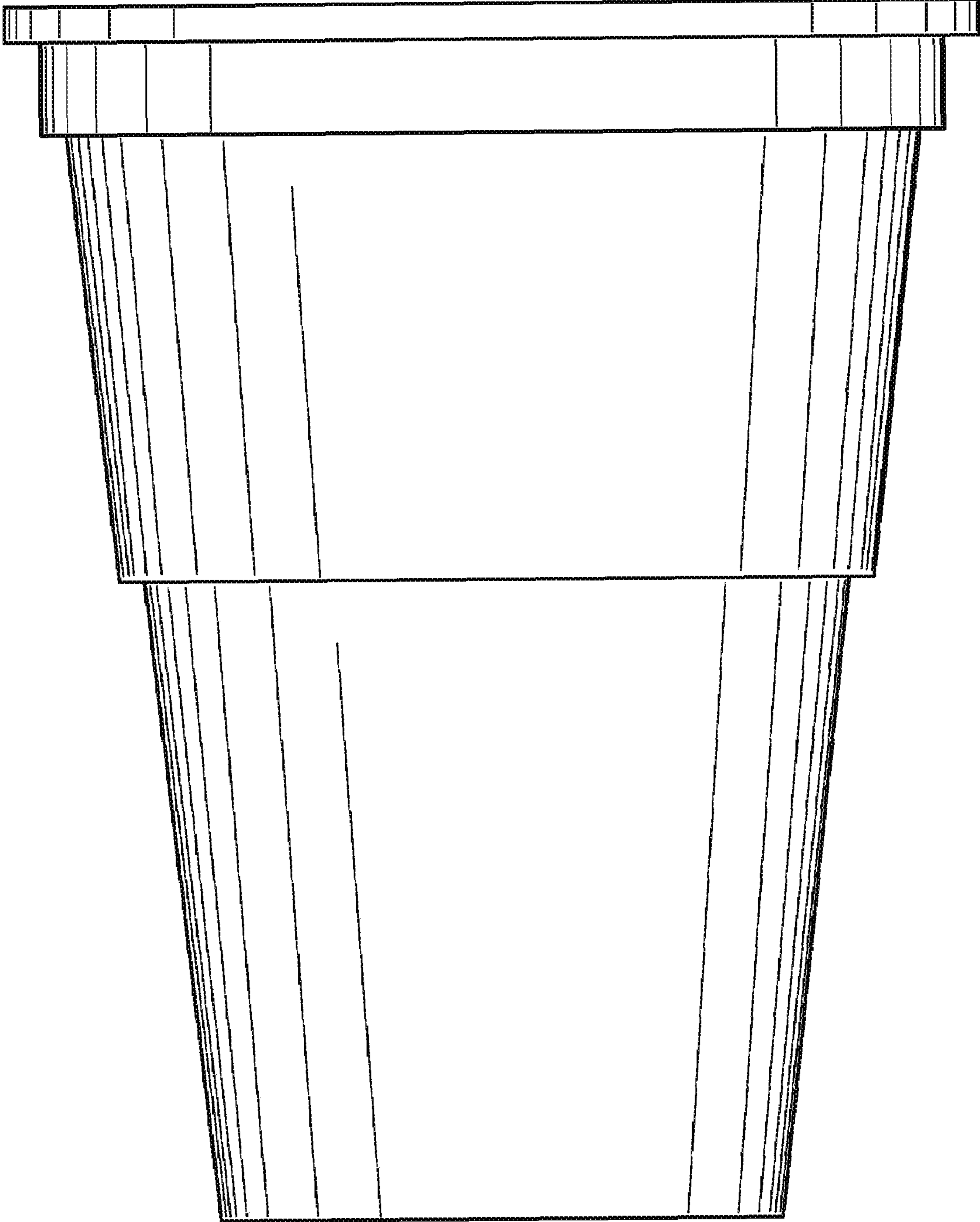


FIG. 1

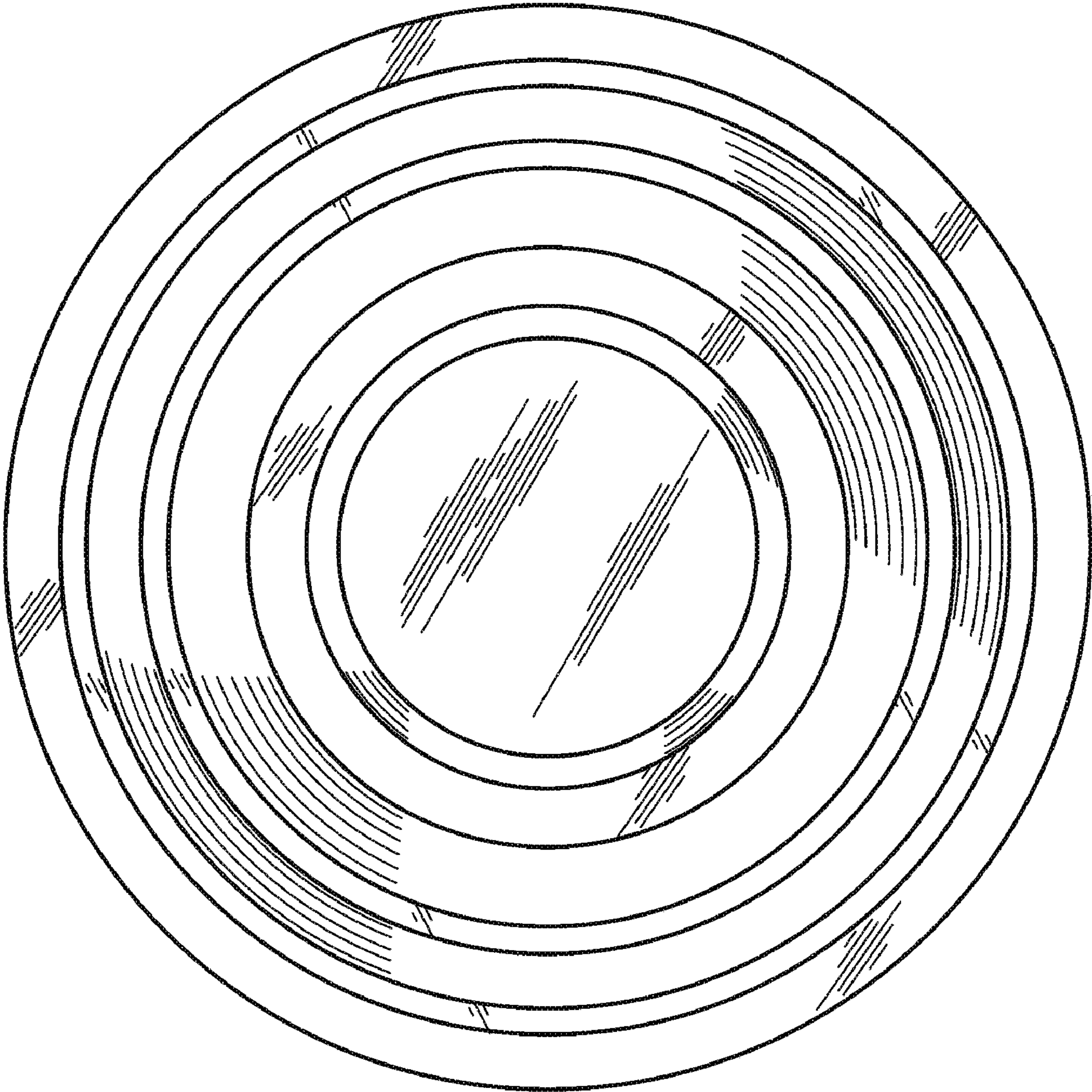


FIG. 2

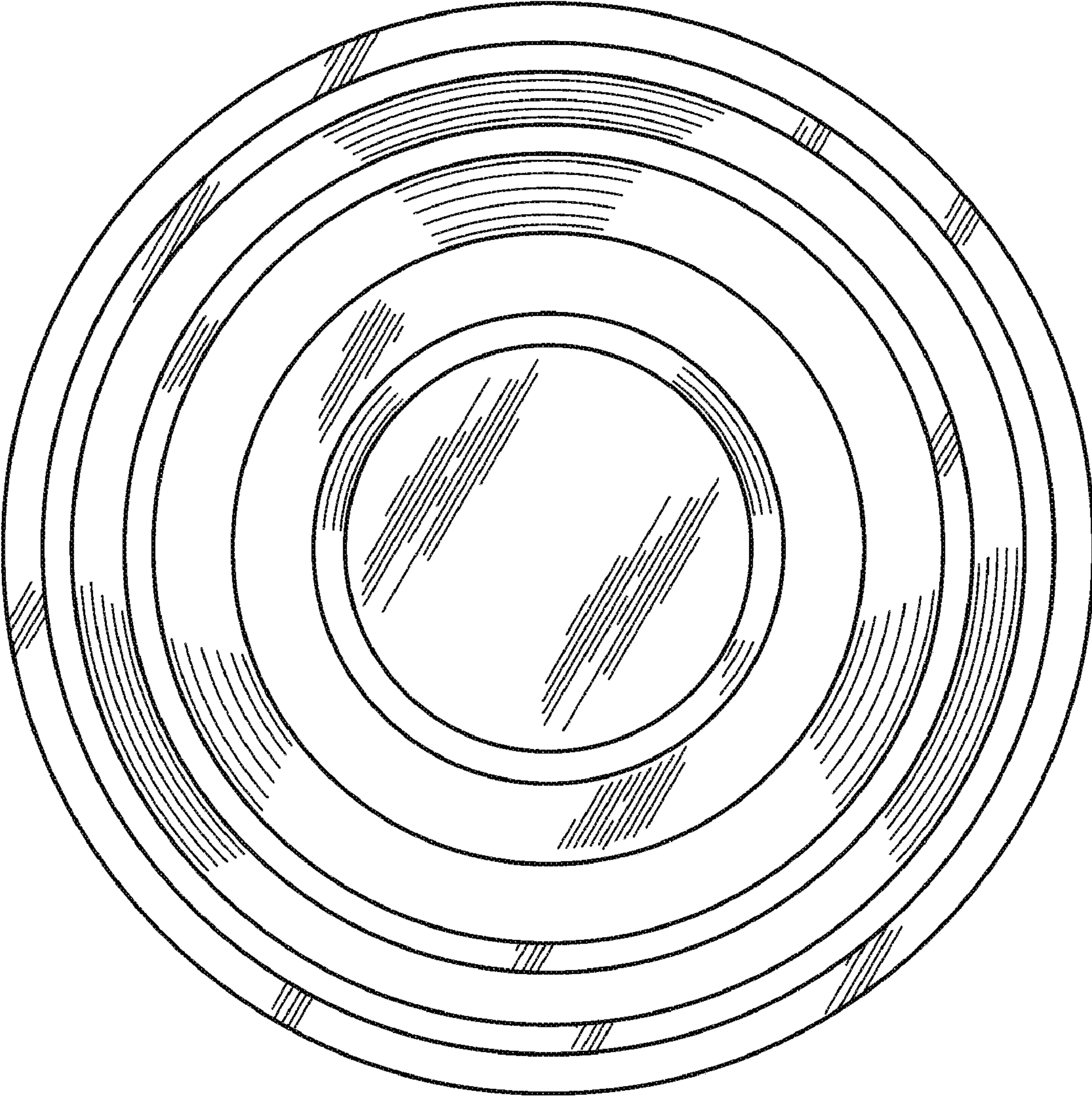


FIG. 3

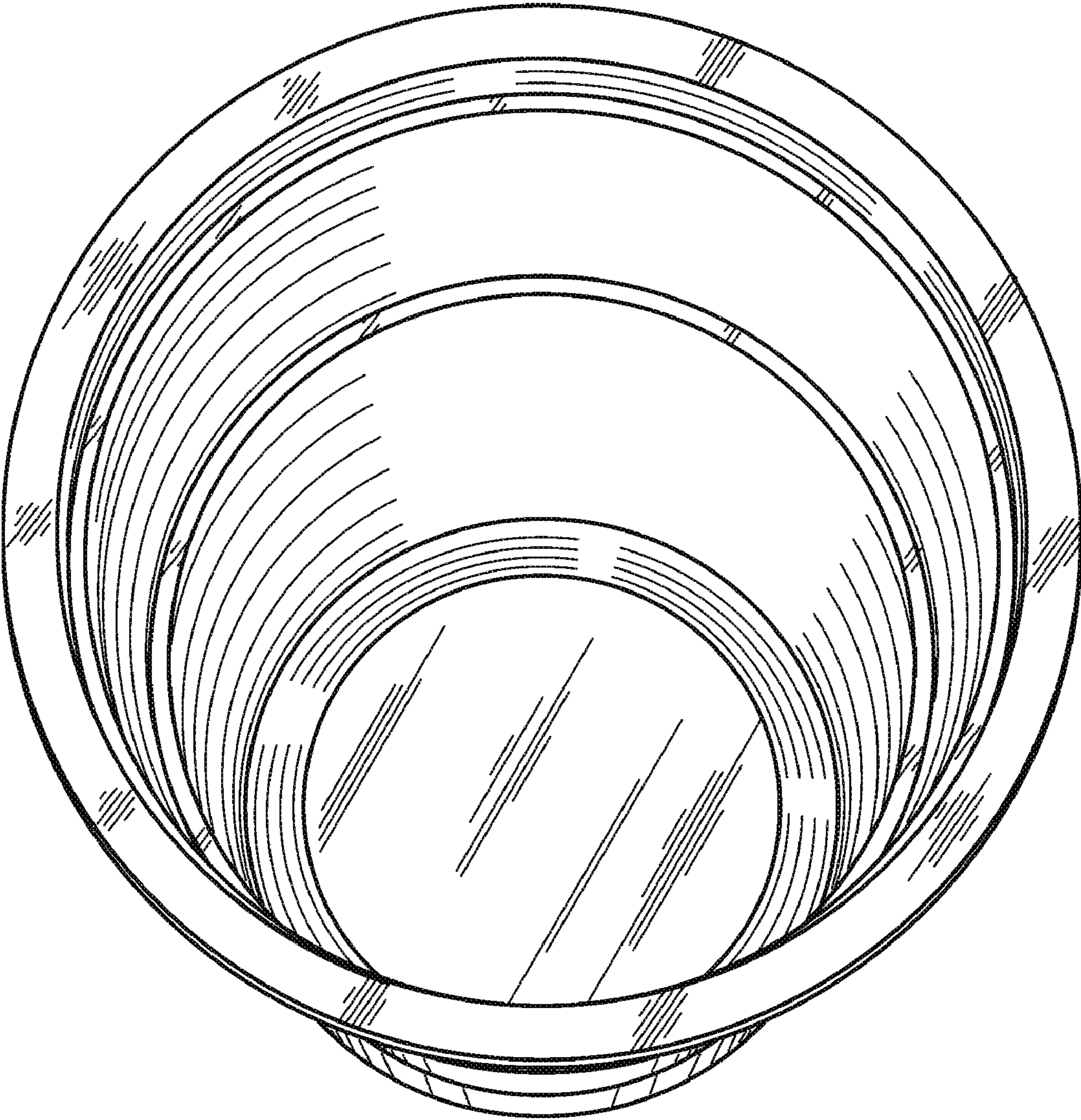


FIG. 4

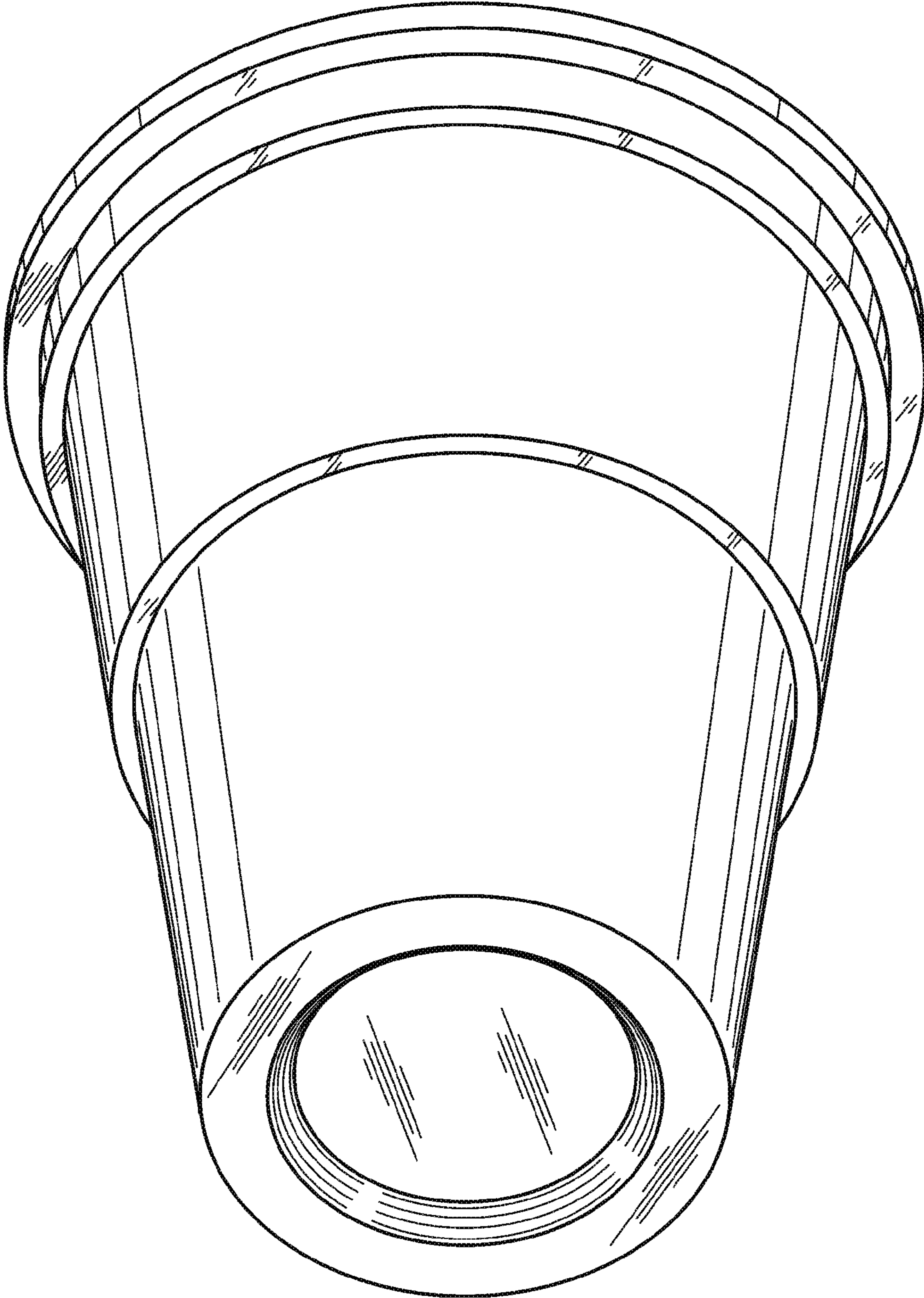


FIG. 5