



US00D611383S

(12) **United States Design Patent**
Wolfgang

(10) **Patent No.:** **US D611,383 S**
(45) **Date of Patent:** **** Mar. 9, 2010**

(54) **WATCH STRAP CLASP**

(75) Inventor: **Sima Wolfgang**, Keutschach (AT)

(73) Assignee: **Hirsch Armbander GmbH**, Klagenfurt (AT)

(**) Term: **14 Years**

(21) Appl. No.: **29/261,480**

(22) Filed: **Jun. 15, 2006**

(30) **Foreign Application Priority Data**

Dec. 15, 2005	(EM)	000452198-0001
Dec. 15, 2005	(EM)	000452198-0002
Dec. 15, 2005	(EM)	000452198-0003
Dec. 15, 2005	(EM)	000452198-0004
Dec. 15, 2005	(EM)	000507371-0001
Dec. 15, 2005	(EM)	000507371-0002
Dec. 15, 2005	(EM)	000507371-0003
Dec. 15, 2005	(EM)	000507371-0004

D352,007	S	*	11/1994	Boucheron	D10/30
D352,468	S	*	11/1994	Kaneko	D10/32
D390,477	S	*	2/1998	Brzezinski	D10/32
D399,760	S	*	10/1998	Riley	D10/32
D402,565	S	*	12/1998	Sato et al.	D10/32
D419,892	S	*	2/2000	Bulgari	D10/32
D423,949	S	*	5/2000	Stoll	D10/32
D449,998	S	*	11/2001	Butler	D10/32
D451,406	S	*	12/2001	Giardiello	D10/32
D459,238	S	*	6/2002	Wunderman	D10/32
D473,470	S	*	4/2003	Nussbaum	D10/30
D473,471	S	*	4/2003	Rufenacht	D10/32
D492,208	S	*	6/2004	Dias	D10/32
D577,610	S	*	9/2008	Emch Ducommun	D10/32
D586,674	S	*	2/2009	Solarewicz	D10/32

* cited by examiner

Primary Examiner—T. Chase Nelson
Assistant Examiner—David G Muller
(74) *Attorney, Agent, or Firm*—Dickstein Shapiro LLP

(51) **LOC (9) Cl.** **11-01**
(52) **U.S. Cl.** **D11/94**
(58) **Field of Classification Search** D11/89-94,
D11/1, 2, 3, 6-12, 16, 24-28, 34-43, 79,
D11/70, 222, 47, 75; 63/1.11-14.1, 13, 15-15.4,
63/20, 22, 23, 26-33; D10/30, 32
See application file for complete search history.

(56) **References Cited**

U.S. PATENT DOCUMENTS

D319,192	S	*	8/1991	Beitz	D10/32
D320,356	S	*	10/1991	Boyer et al.	D10/32
D330,166	S	*	10/1992	Park	D10/32
D344,468	S	*	2/1994	Kaneko	D11/3

(57) **CLAIM**

The ornamental design for a watch strap clasp, as shown and described.

DESCRIPTION

FIG. 1 is a top plan view of an embodiment of the watch strap clasp of the present invention;
FIG. 2 is a rear elevation view thereof;
FIG. 3 is a front elevation view thereof;
FIG. 4 is a side elevation view thereof;
FIG. 5 is an opposite side elevation view thereof;
FIG. 6 is a bottom plan view thereof; and,
FIG. 7 is a top perspective view thereof.

1 Claim, 7 Drawing Sheets

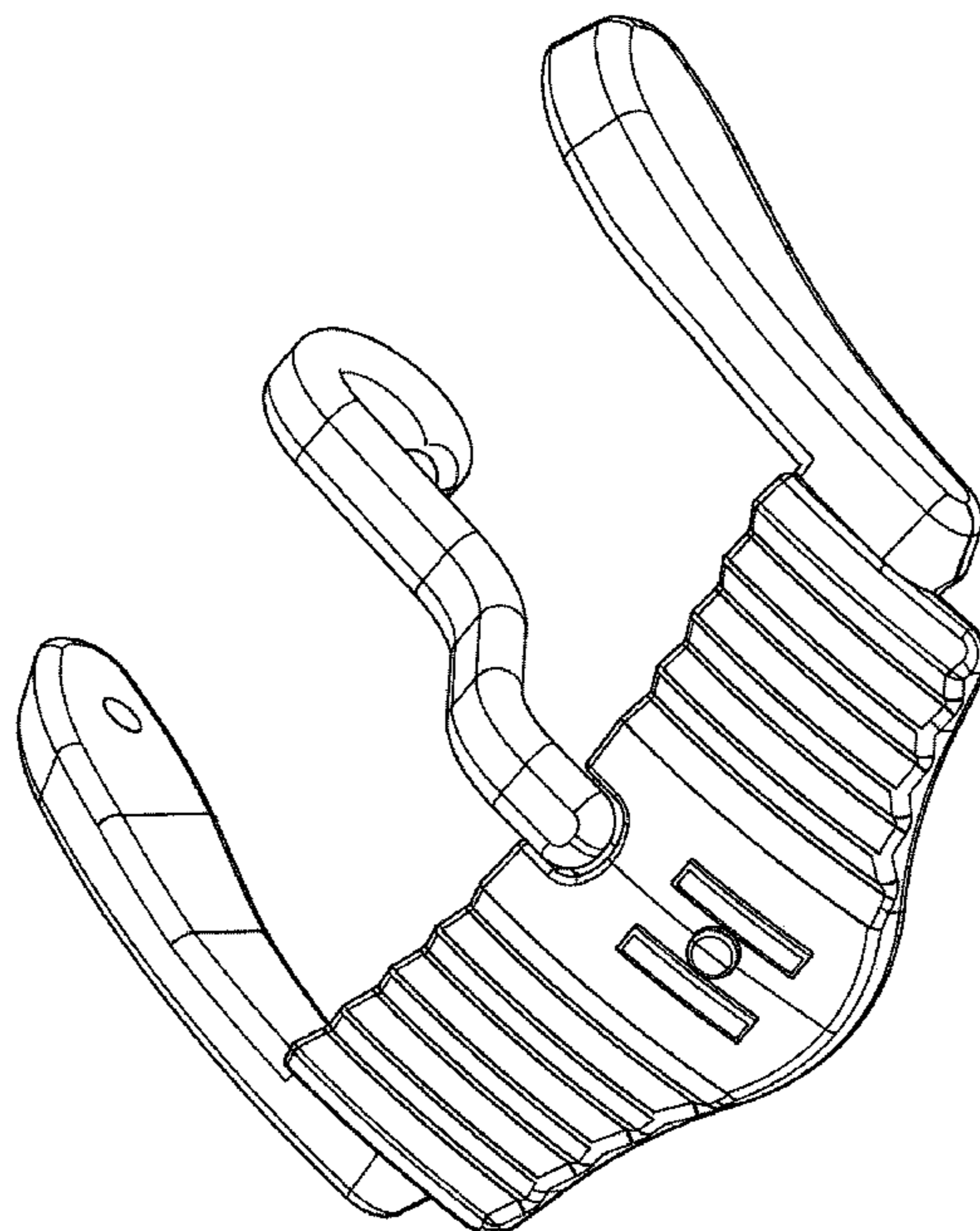


FIG. 1

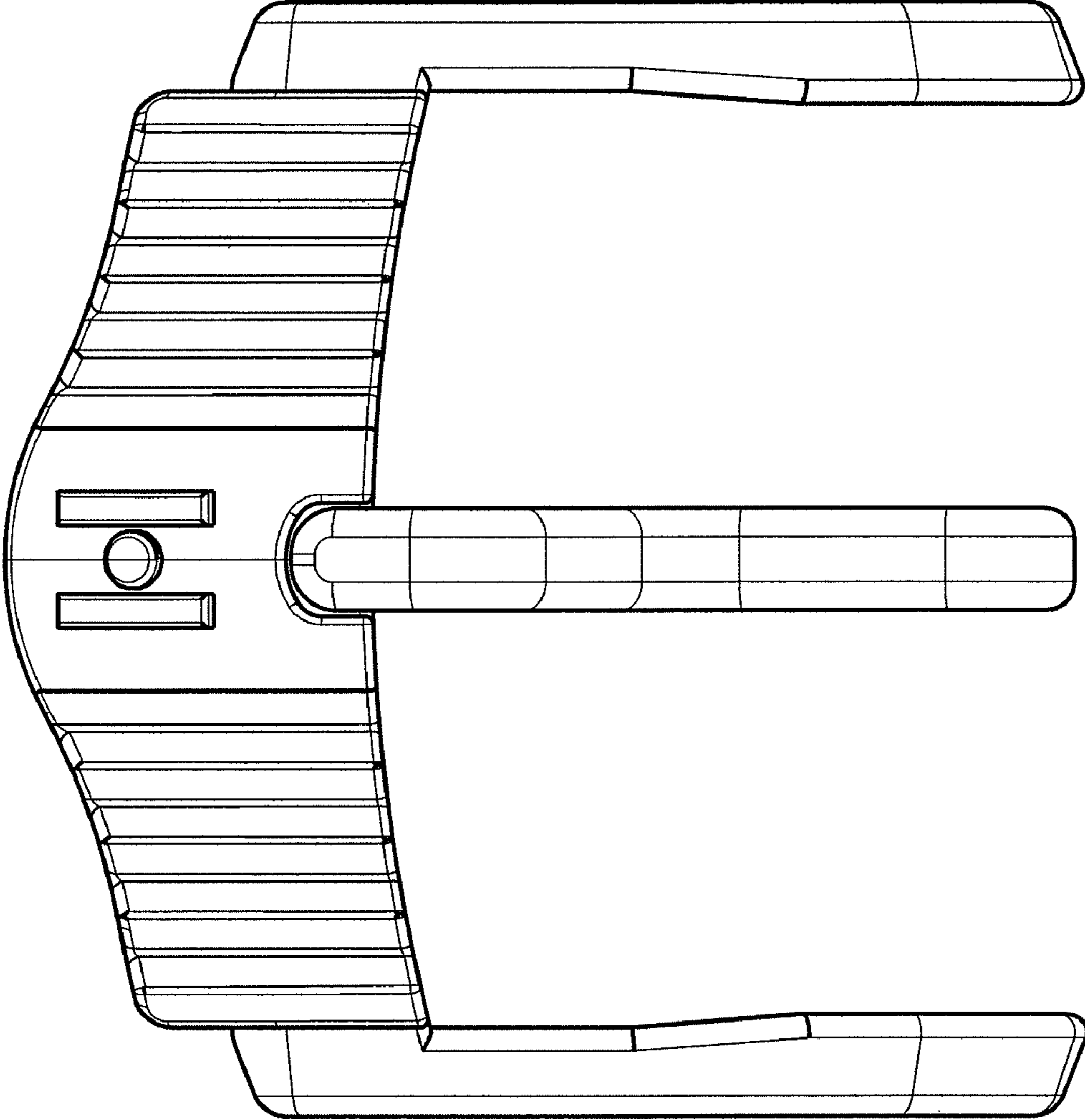


FIG. 2

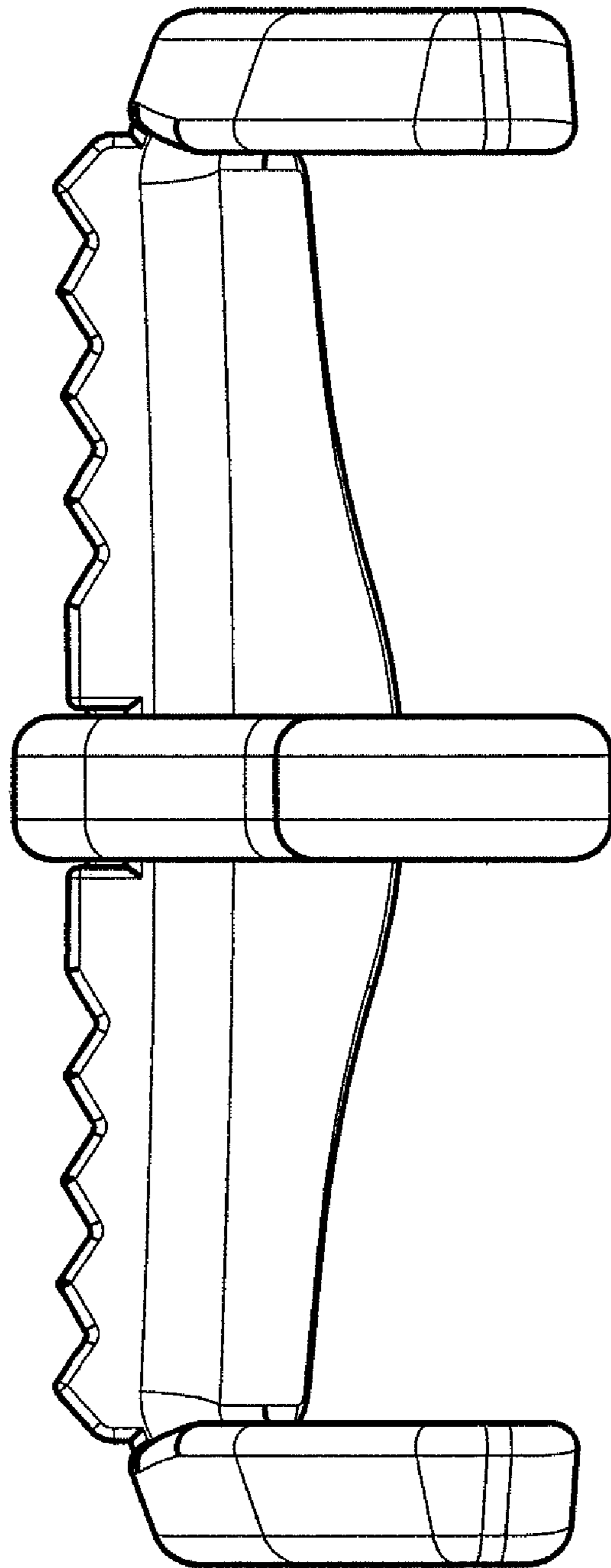


FIG. 3

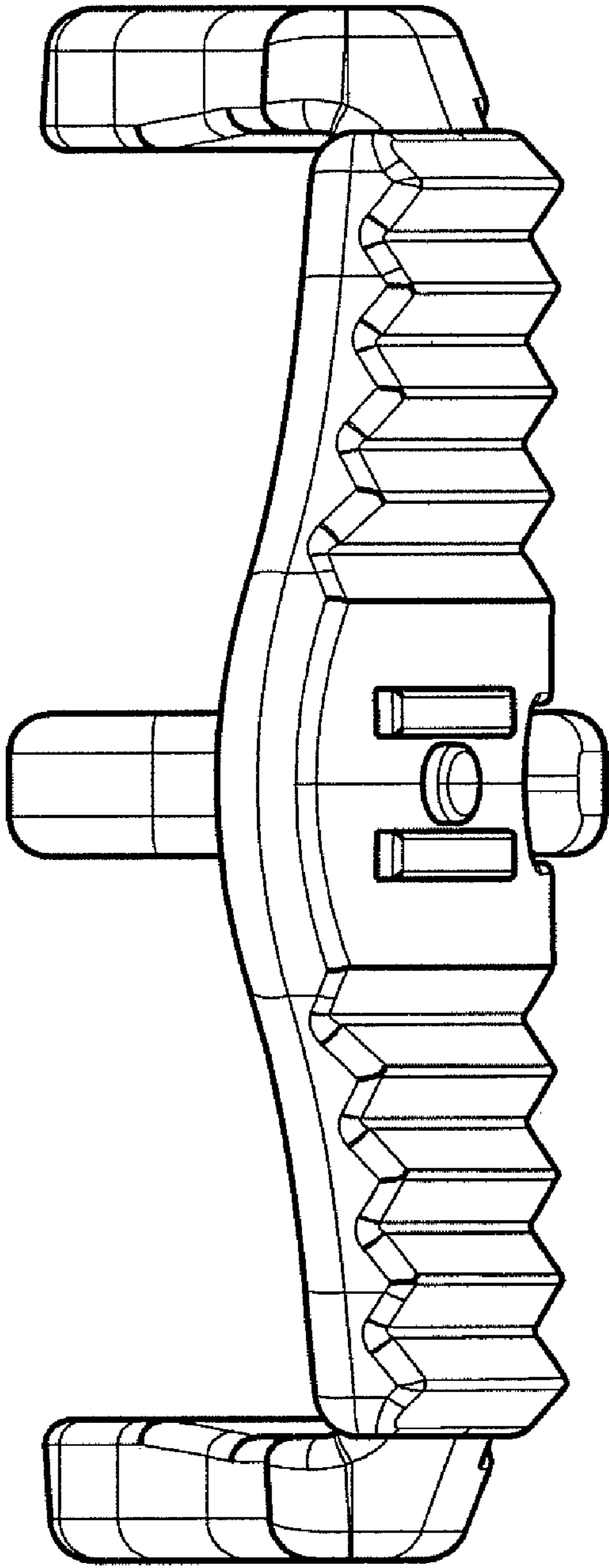


FIG. 4

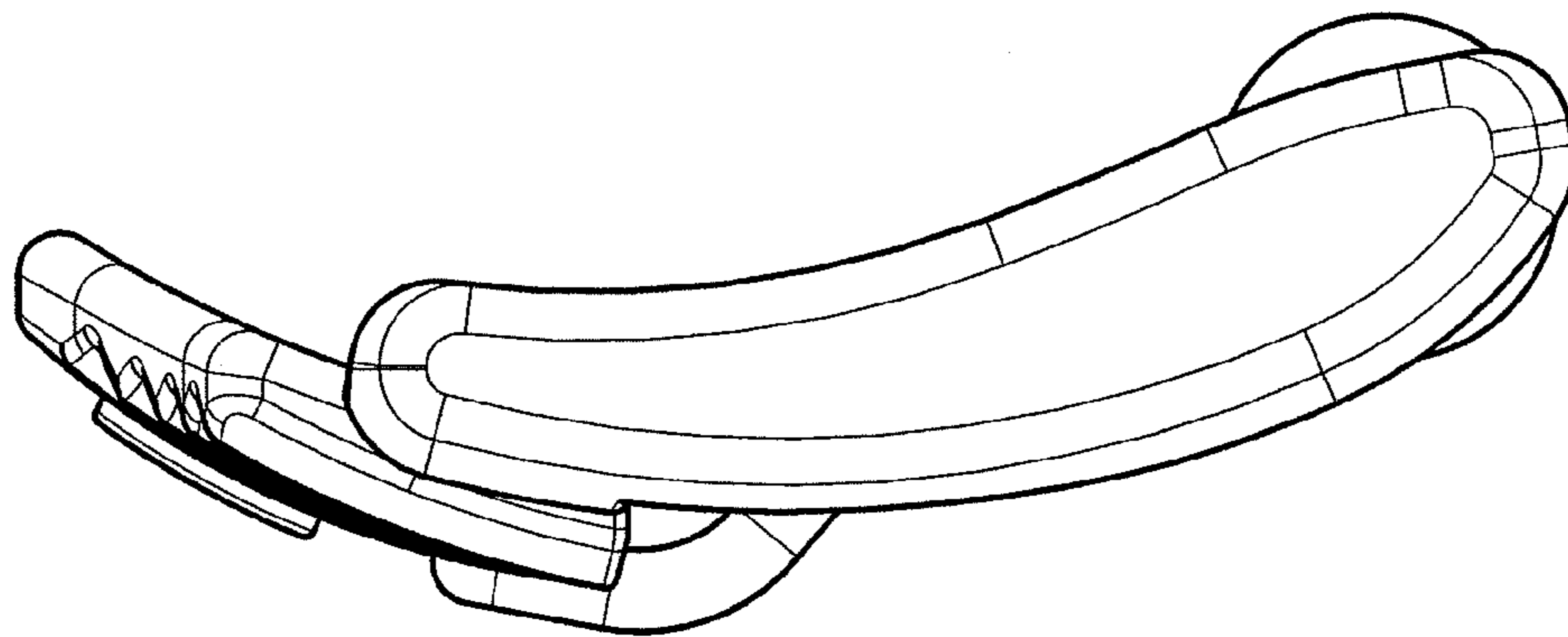


FIG. 5

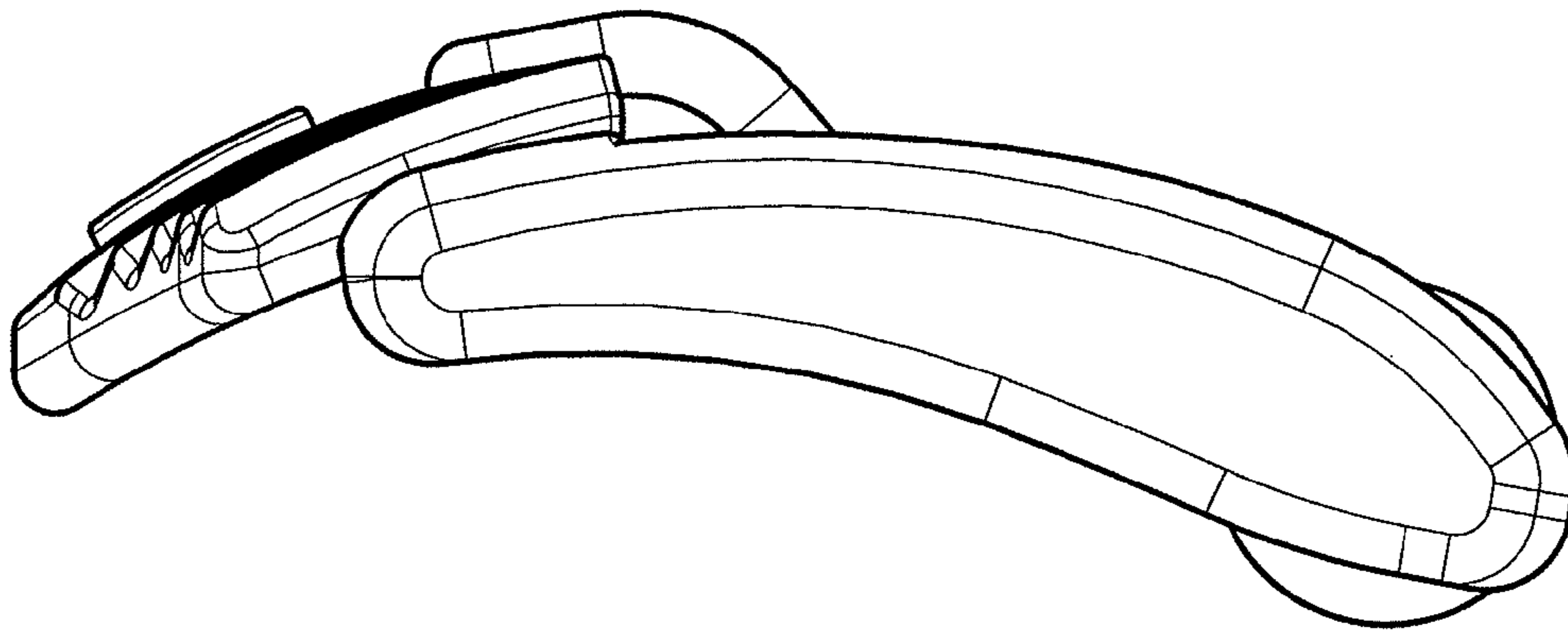


FIG. 6

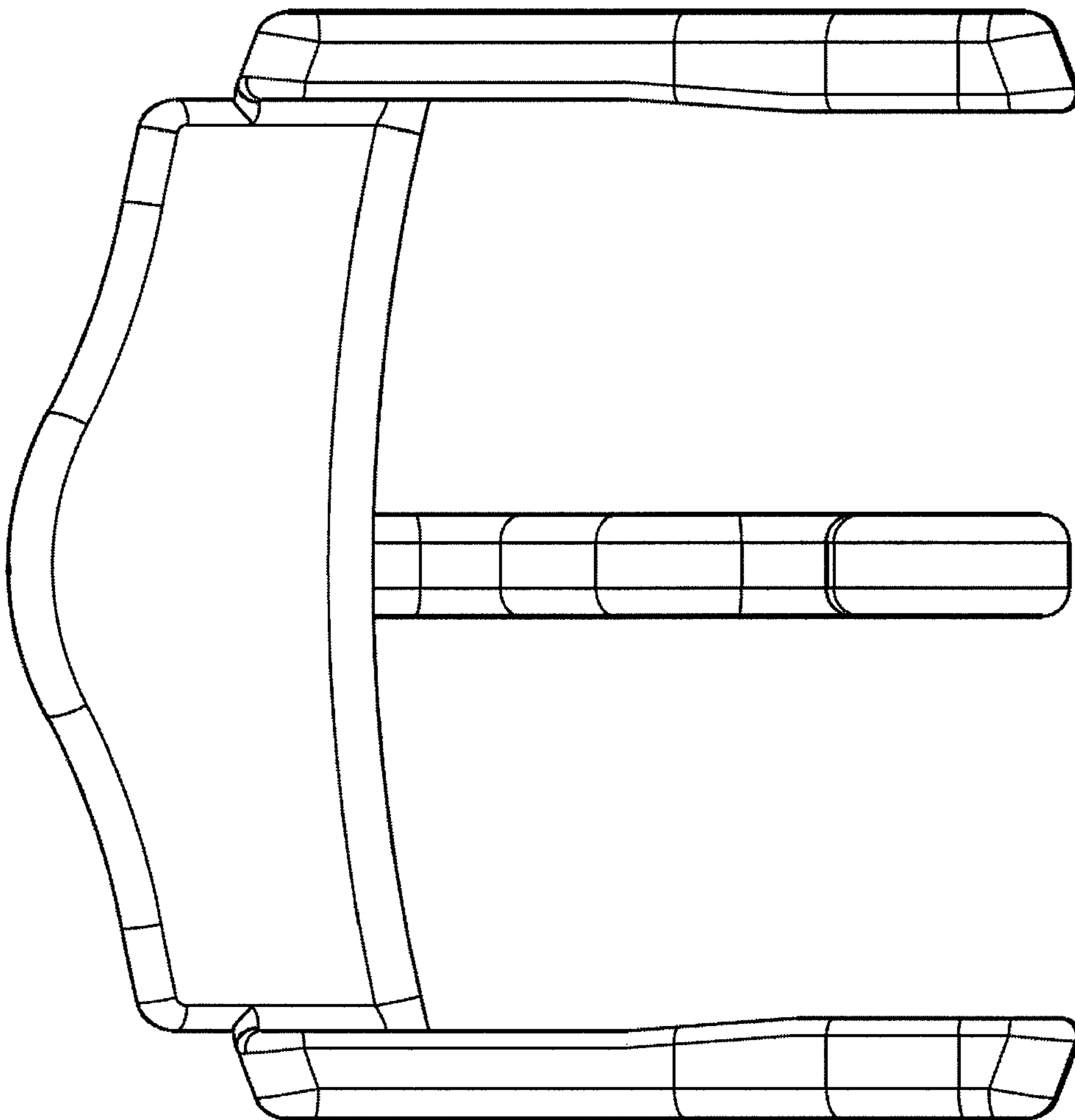


FIG. 7

