



US00D611379S

(12) **United States Design Patent**
So

(10) **Patent No.:** **US D611,379 S**
(45) **Date of Patent:** **** Mar. 9, 2010**

(54) **PRECIOUS STONE CUT LARGE CORNER CROWN DESIGN HAVING 41 FACETS**

(76) Inventor: **David So**, 71 W. Cedarview Ave., Staten Island, NY (US) 10306

(**) Term: **14 Years**

(21) Appl. No.: **29/337,738**

(22) Filed: **May 28, 2009**

(51) **LOC (9) Cl.** **11-01**

(52) **U.S. Cl.** **D11/90**

(58) **Field of Classification Search** D11/1-2,
D11/26-29, 89-92; 63/26-28, 32

See application file for complete search history.

(56) **References Cited**

U.S. PATENT DOCUMENTS

6,029,474	A *	2/2000	Bunz	63/32
D440,902	S *	4/2001	Wolf	D11/90
D457,831	S *	5/2002	Kaufman	D11/90
D469,035	S *	1/2003	Yuan	D11/90
D478,528	S *	8/2003	Mehta et al.	D11/90
D485,183	S *	1/2004	Lerolle	D9/503
D486,752	S *	2/2004	Namdar	D11/90
D489,283	S *	5/2004	Wueste	D11/90
6,745,596	B2 *	6/2004	Wueste	63/32

D569,297	S *	5/2008	Shah	D11/90
D581,828	S *	12/2008	Mehta	D11/90
D583,702	S *	12/2008	Habif	D11/90
D596,981	S *	7/2009	Hodara	D11/90
D605,973	S *	12/2009	Taran	D11/90

* cited by examiner

Primary Examiner—Ralf Seifert

(74) *Attorney, Agent, or Firm*—Jones Day

(57) **CLAIM**

The ornamental design for a precious stone cut large corner crown design having 41 facets, as shown and described.

DESCRIPTION

FIG. 1 is a top plan view of a precious stone cut large corner crown design having 41 facets showing my new design;

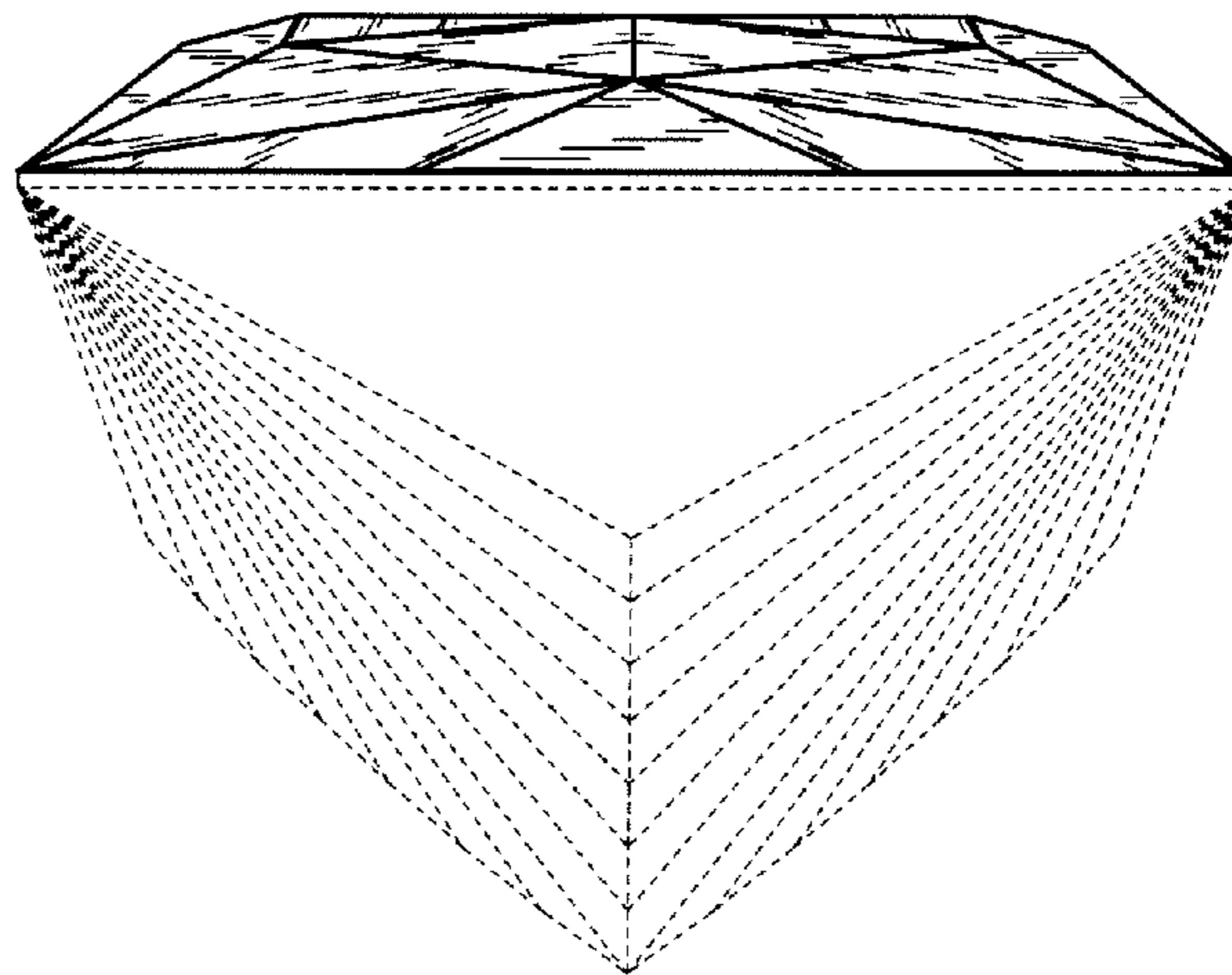
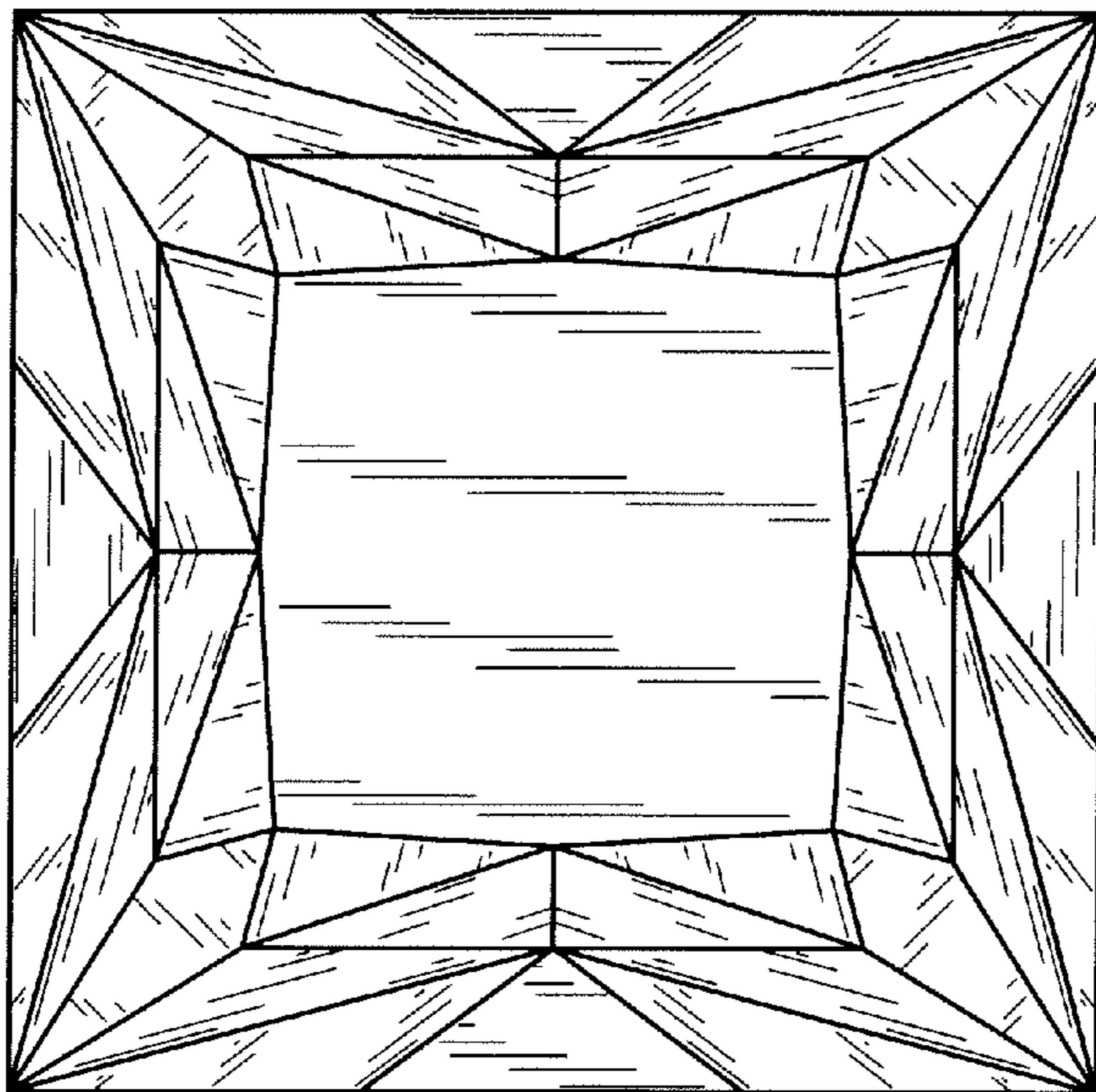
FIG. 2 is a side view; and,

FIG. 3 is a bottom plan view.

The broken line showing of the pavilion of a gemstone is included for the purpose of illustrating environmental matter and forms no part of the claimed design.

Any facets that may be visible through the transparent precious stone are shown for the sake of clarity.

1 Claim, 2 Drawing Sheets



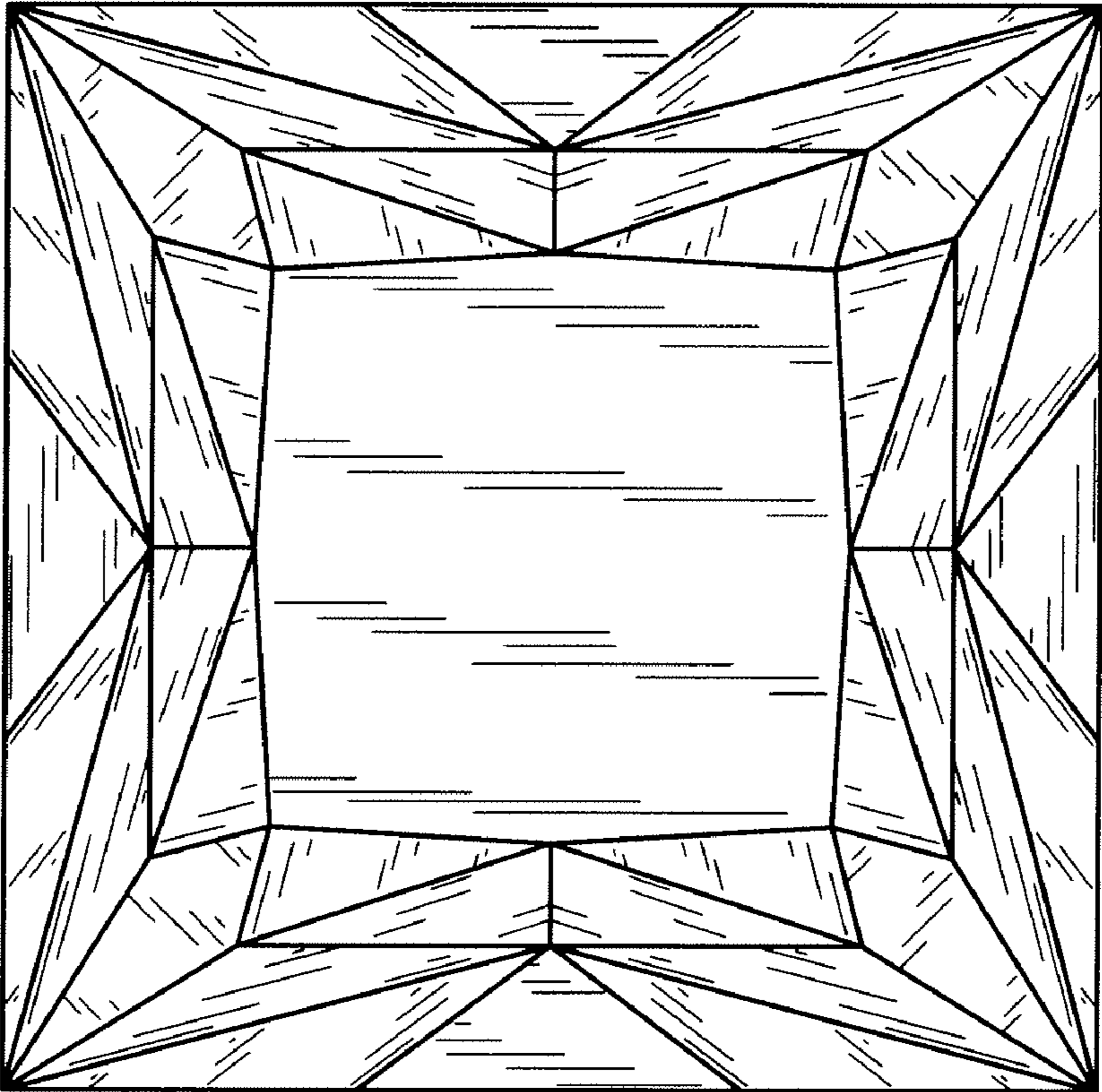


Fig.1

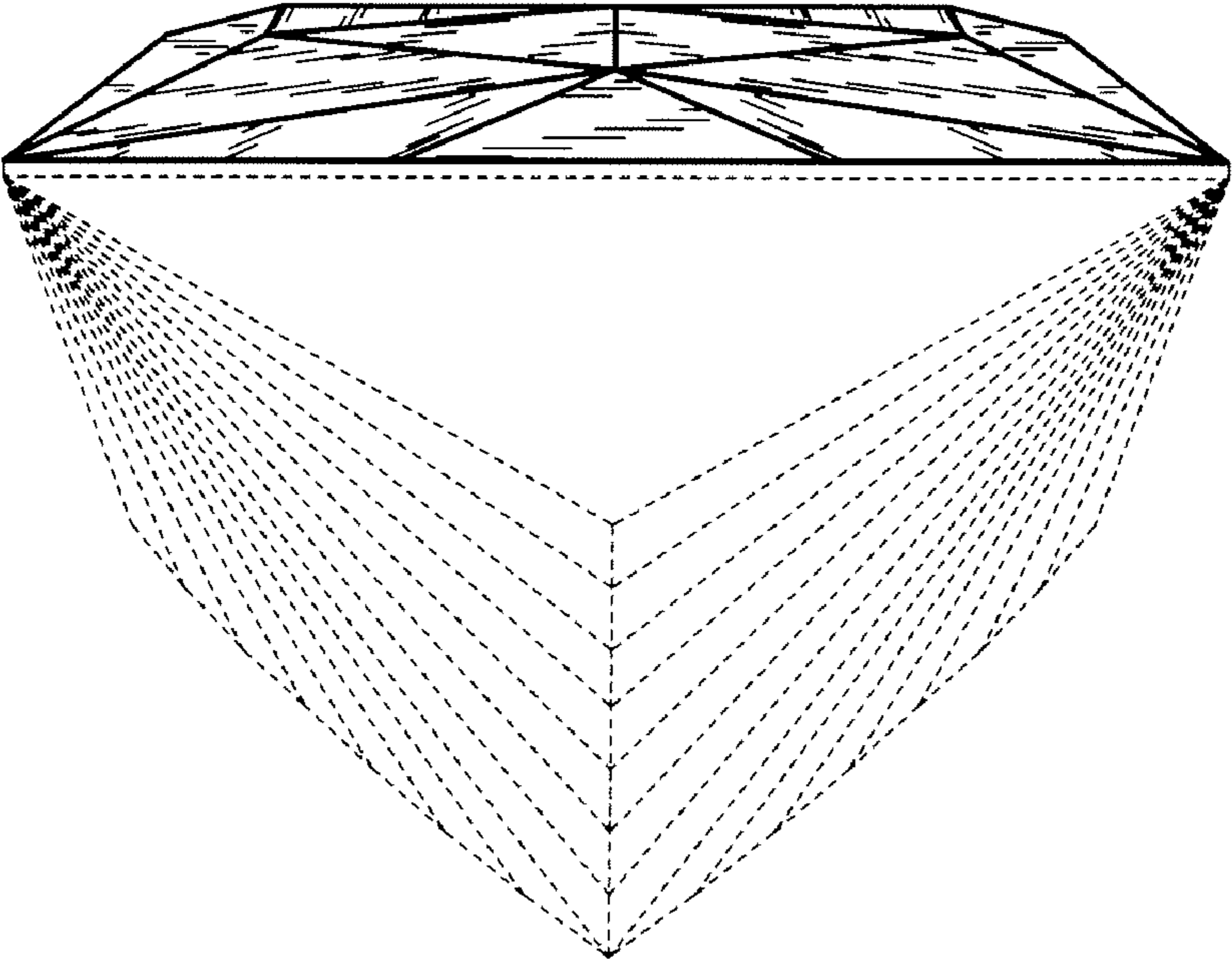


Fig.2

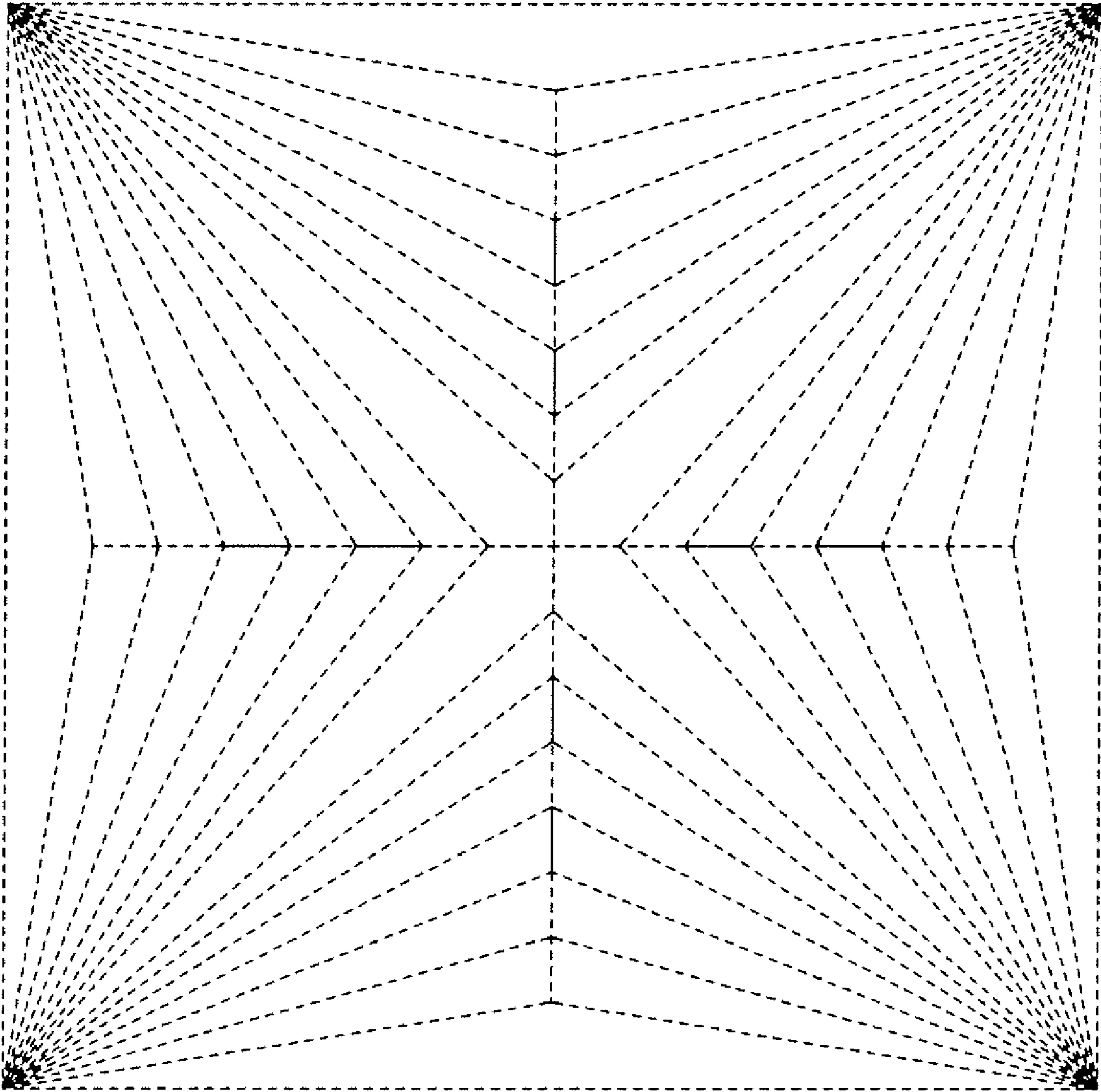


Fig.3