



US00D611374S

(12) **United States Design Patent**  
**Marshall**

(10) **Patent No.:** **US D611,374 S**  
(45) **Date of Patent:** **\*\* Mar. 9, 2010**

(54) **WEIGHT FOR SCALES**

(75) Inventor: **Victor Gregory Marshall**, Pyrgos (CY)

(73) Assignee: **The Baggage Scale Company Limited**,  
Peterborough (GB)

(\*\*) Term: **14 Years**

(21) Appl. No.: **29/345,028**

(22) Filed: **Oct. 8, 2009**

(30) **Foreign Application Priority Data**

Apr. 29, 2009 (EM) ..... 001131577-0001

(51) **LOC (9) Cl.** ..... **10-04**

(52) **U.S. Cl.** ..... **D10/89**

(58) **Field of Classification Search** ..... D10/87-92,  
D10/94; 177/238-245, 210 R, 210 C, 25,  
177/30, 25.15, 25.16, 25.13, 126, 127, DIG. 1;  
600/506, 547

See application file for complete search history.

(56) **References Cited**

**U.S. PATENT DOCUMENTS**

D575,178 S \* 8/2008 Thybulle ..... D10/89  
D603,734 S \* 11/2009 Bhaumik ..... D10/89  
D605,063 S \* 12/2009 Rogers ..... D10/89

\* cited by examiner

*Primary Examiner*—Antoine D Davis  
(74) *Attorney, Agent, or Firm*—Richard M. Goldberg

(57) **CLAIM**

The ornamental design for a weight for scales, as shown and described.

**DESCRIPTION**

FIG. 1 is an open perspective view of a weight for scales of my design;

FIG. 2 is a front elevational view thereof;

FIG. 3 is a rear elevational view thereof;

FIG. 4 is a top plan view thereof;

FIG. 5 is a bottom plan view thereof;

FIG. 6 is a left side elevational view thereof; and

FIG. 7 is a right side elevational view thereof;

FIG. 8 is a closed perspective view of a weight for scales of my design;

FIG. 9 is a front elevational view of FIG. 8;

FIG. 10 is a rear elevational view of FIG. 8;

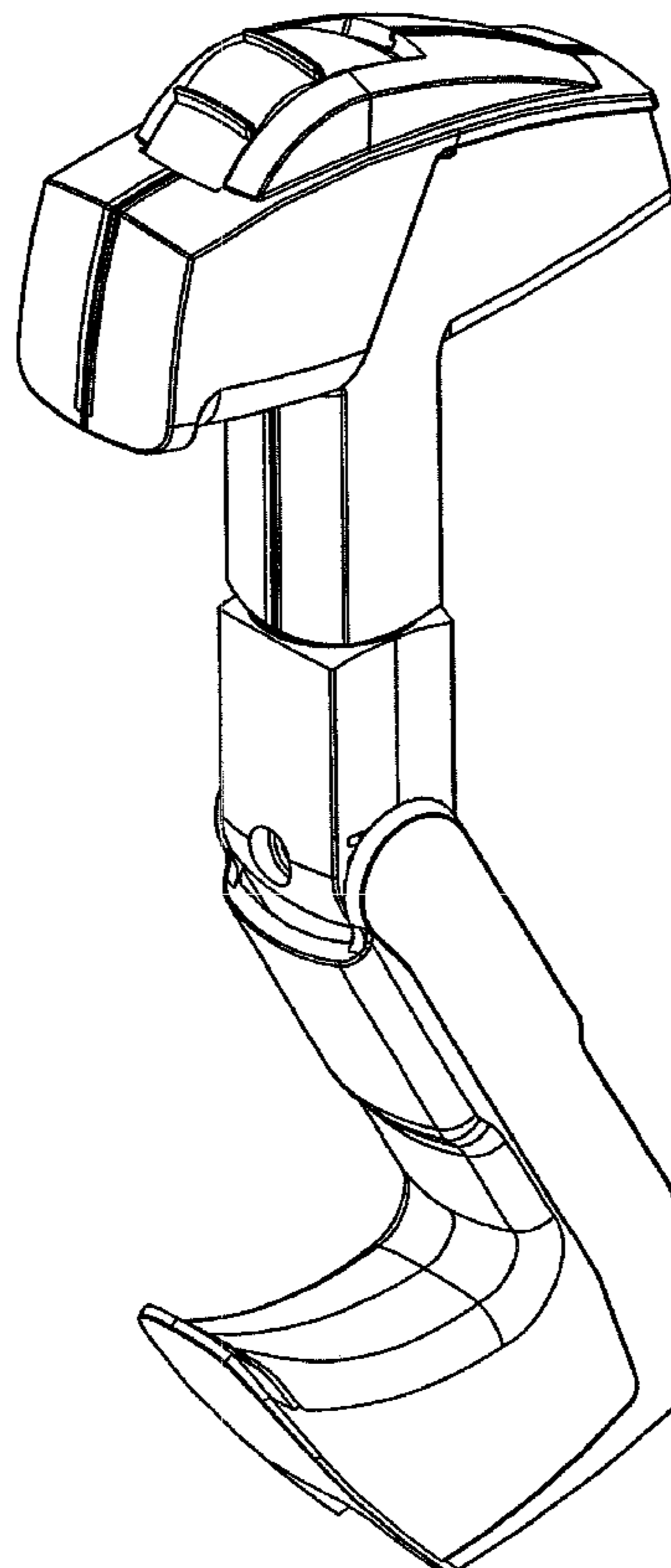
FIG. 11 is a top plan view of FIG. 8;

FIG. 12 is a bottom plan view of FIG. 8;

FIG. 13 is a left side elevational view of FIG. 8; and,

FIG. 14 is a right side elevational view of FIG. 8.

**1 Claim, 14 Drawing Sheets**



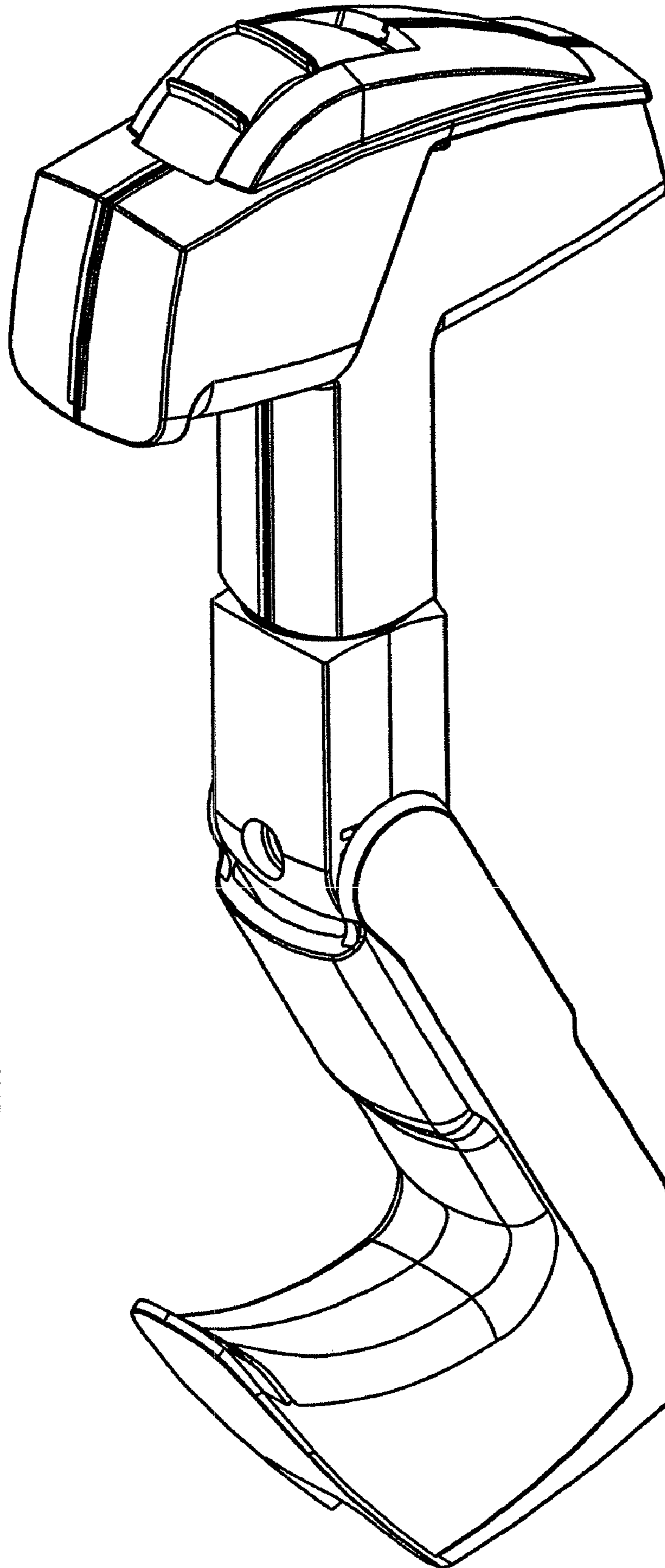
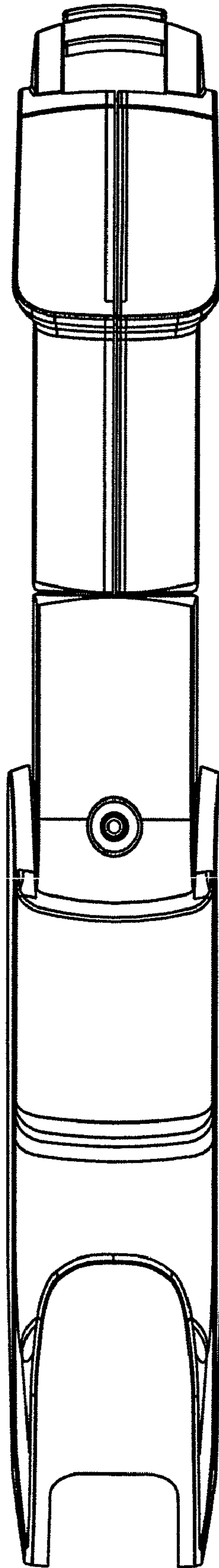


FIG. 1

FIG. 2



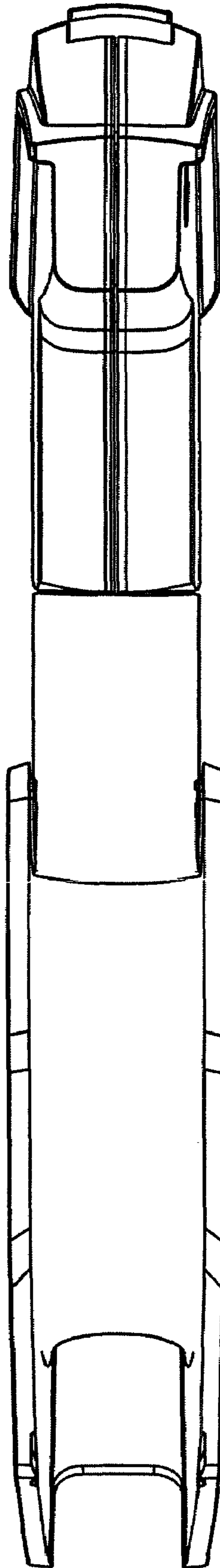


FIG. 3

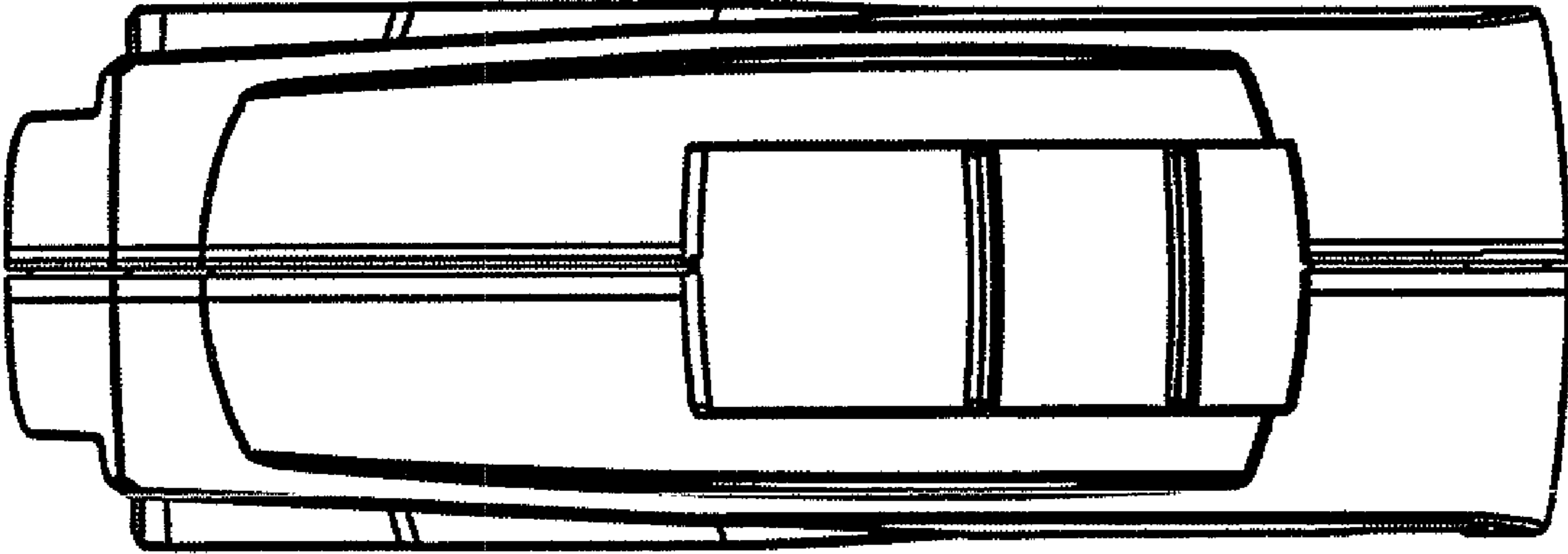


FIG. 4

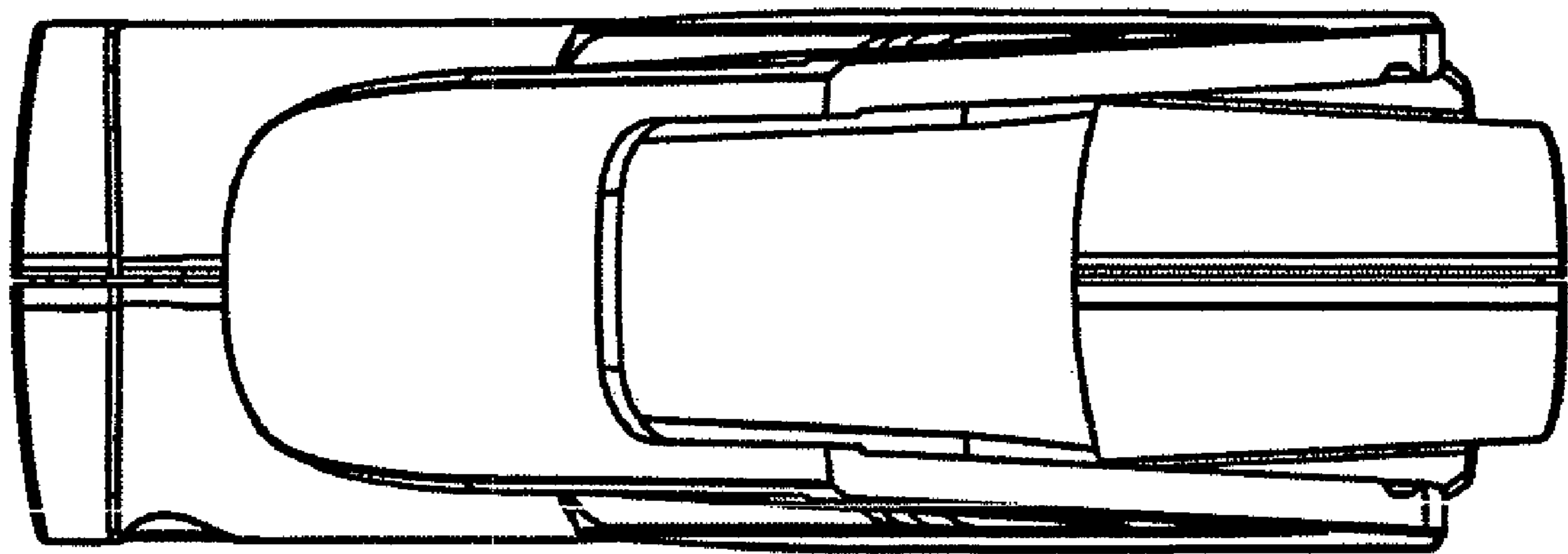


FIG. 5

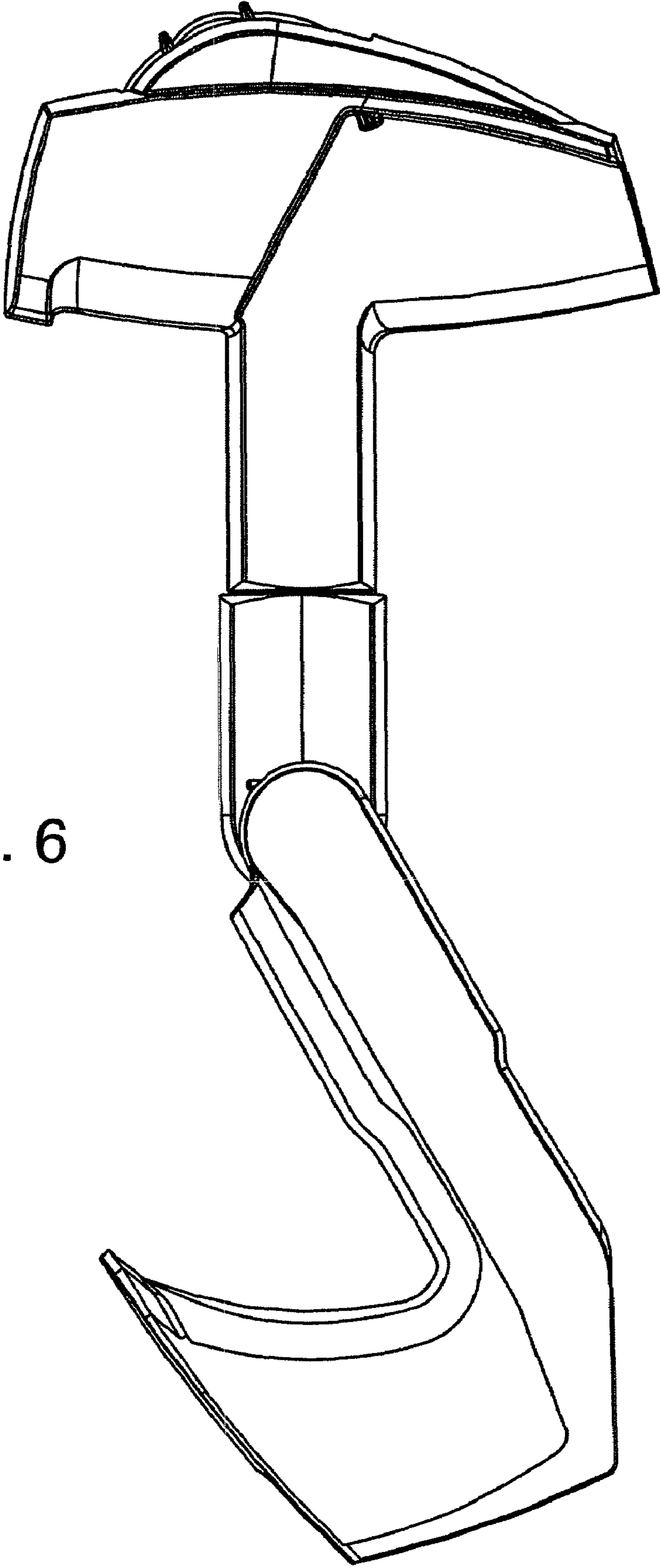


FIG. 6

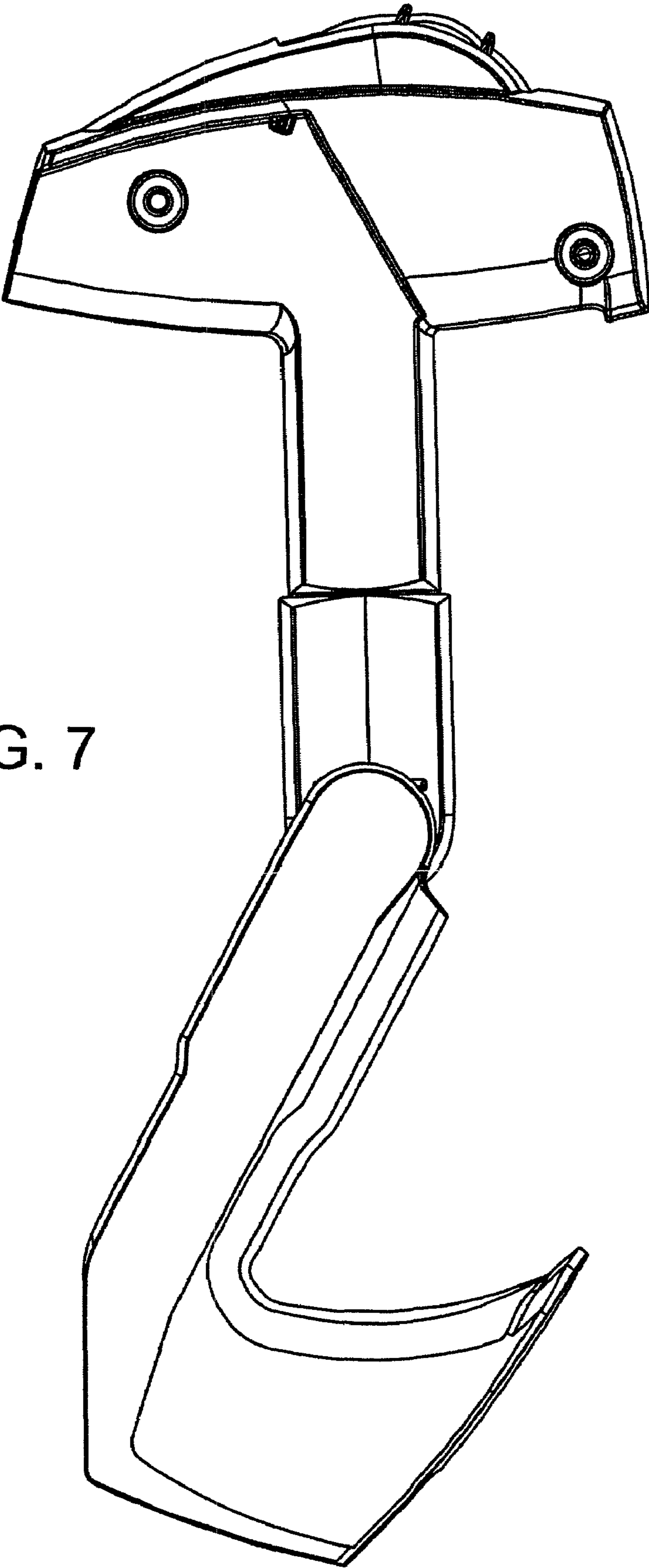


FIG. 7



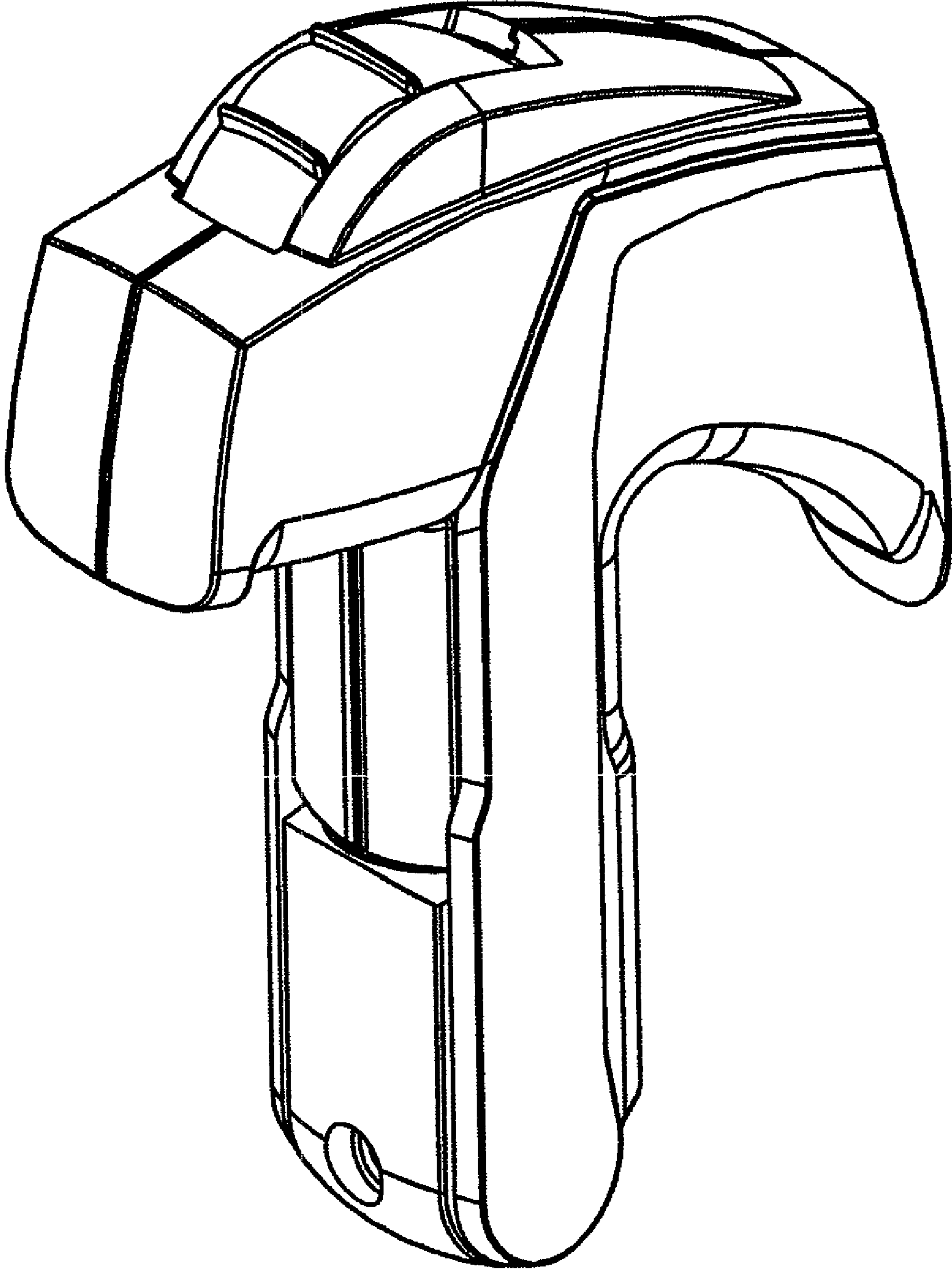


FIG. 8

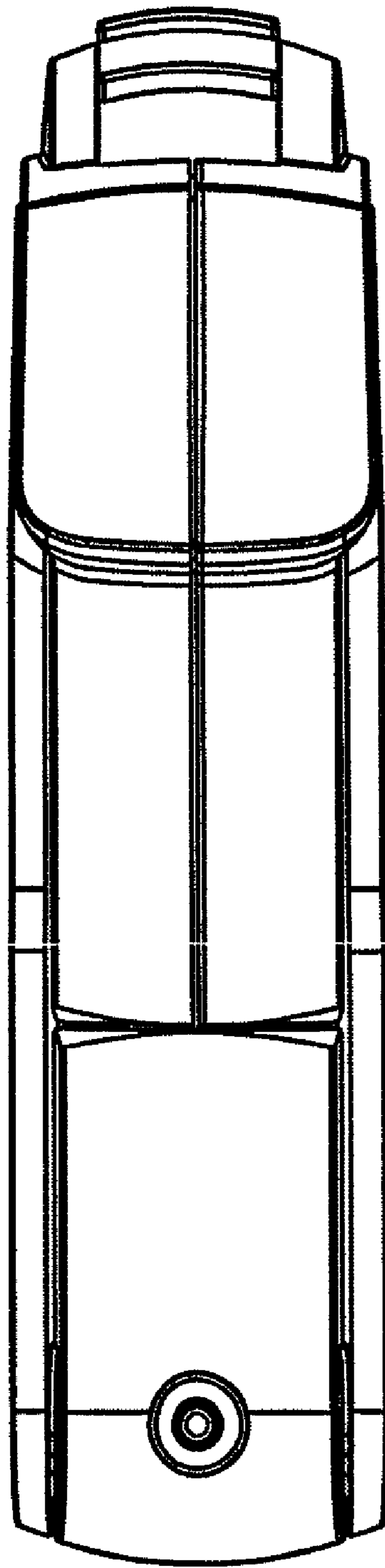


FIG. 9

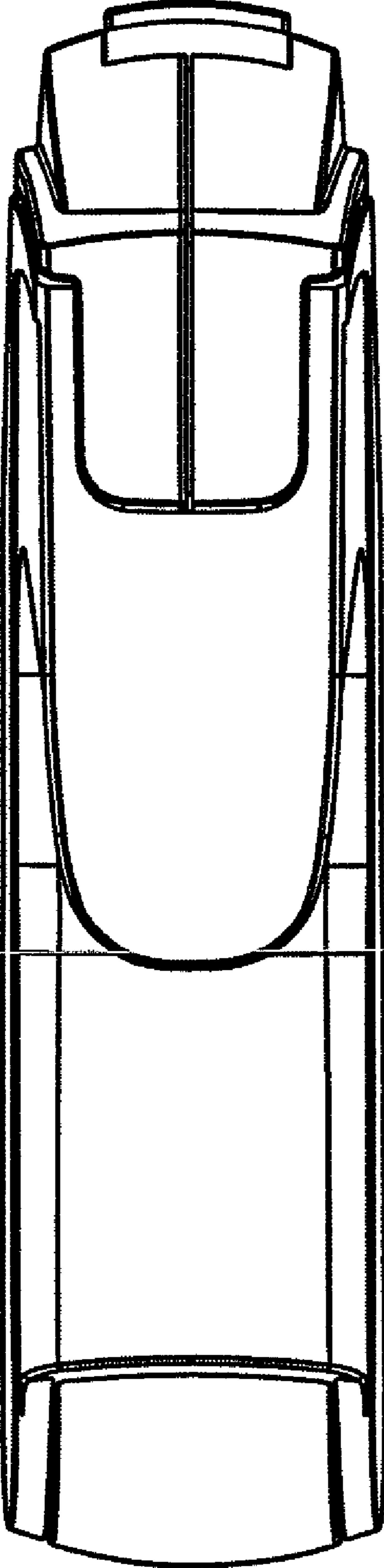


FIG. 10

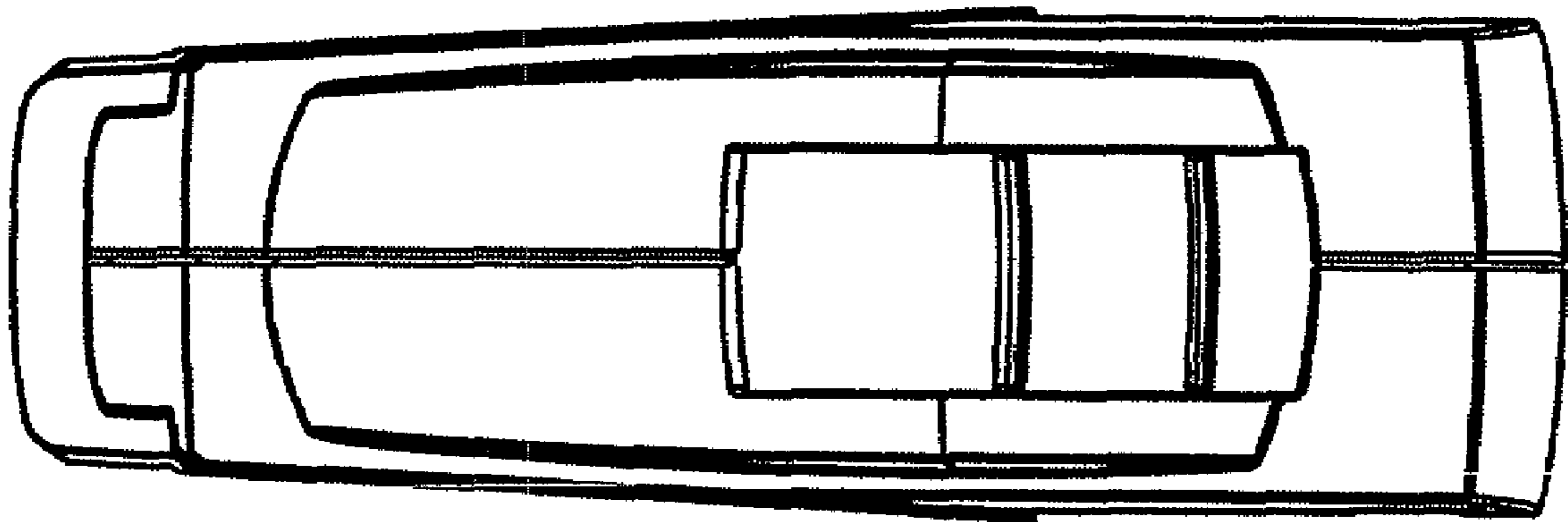


FIG. 11

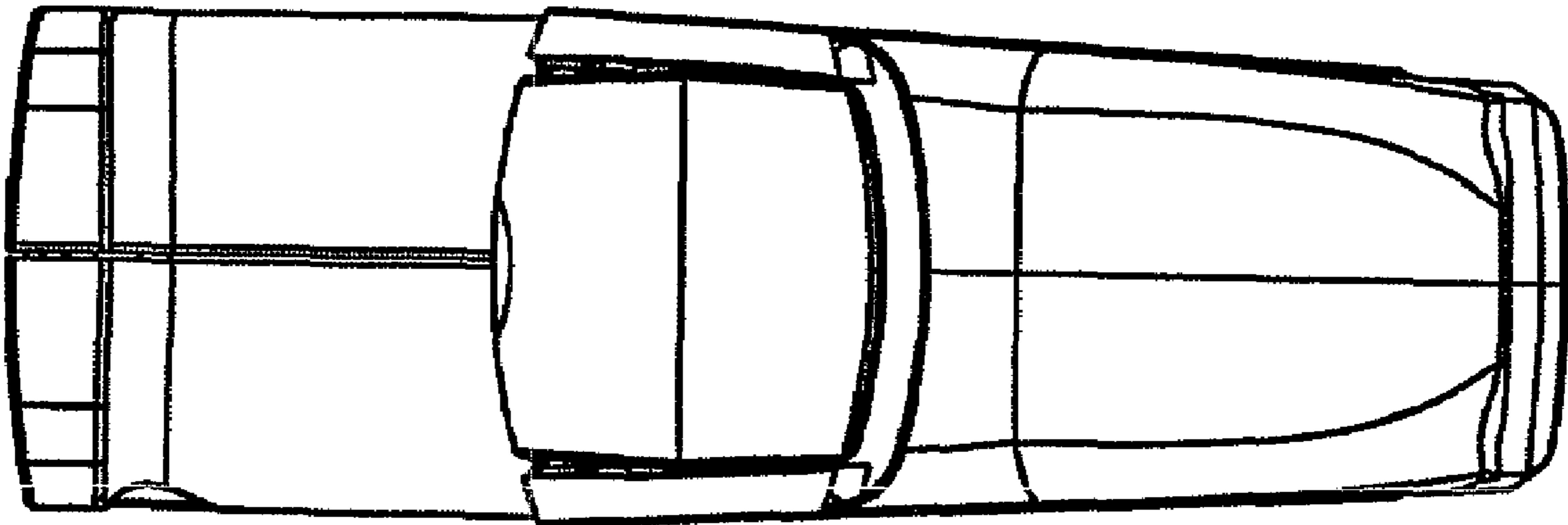


FIG. 12

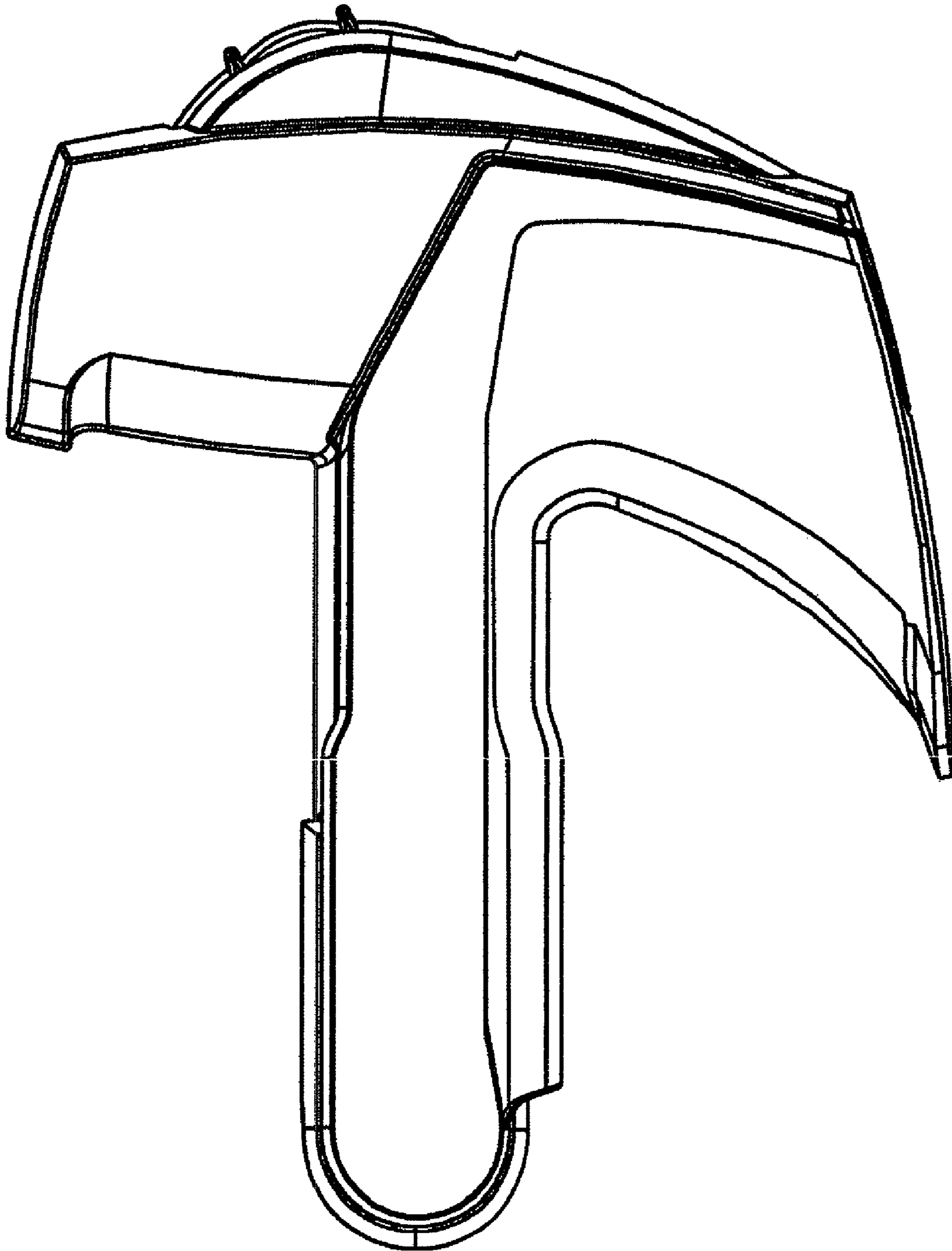


FIG. 13

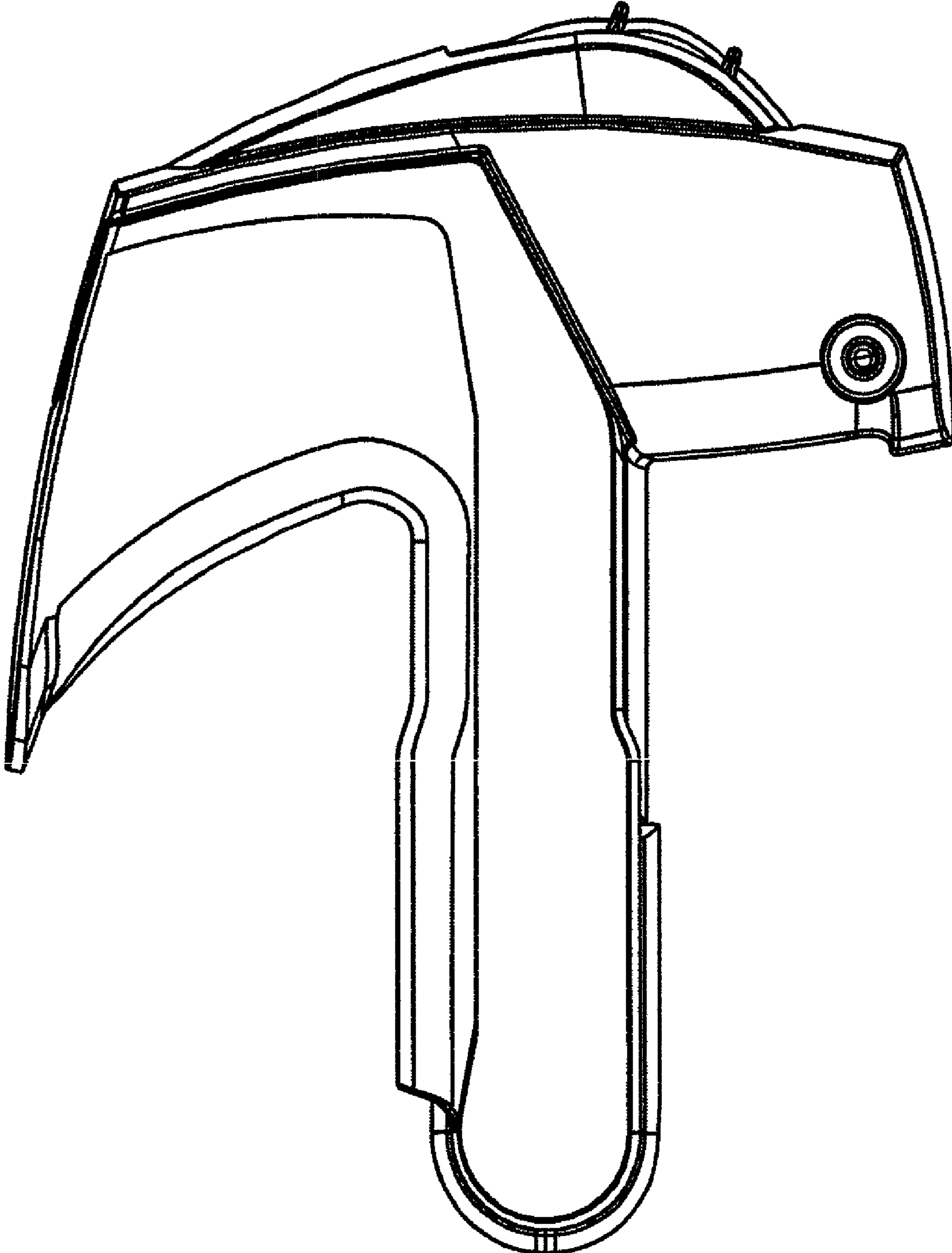


FIG. 14