



US00D611373S

(12) **United States Design Patent**
Stamenkovic et al.

(10) **Patent No.:** **US D611,373 S**
(45) **Date of Patent:** **** Mar. 9, 2010**

(54) **AIR GAUGE**

(75) Inventors: **Milan Stamenkovic**, Stuttgart (DE);
Branco Stanic, Samobor (HR)

(73) Assignee: **Stotz Feinmesstechnik GmbH**,
Gerlingen (DE)

(**) Term: **14 Years**

(21) Appl. No.: **29/320,459**

(22) Filed: **Jun. 27, 2008**

(30) **Foreign Application Priority Data**

Dec. 28, 2007	(EM)	000859129-0001
Dec. 28, 2007	(EM)	000859129-0002
Dec. 28, 2007	(EM)	000859129-0003
Dec. 28, 2007	(EM)	000859129-0004
Dec. 28, 2007	(EM)	000859129-0005

(51) **LOC (9) Cl.** **10-04**

(52) **U.S. Cl.** **D10/86**

(58) **Field of Classification Search** D10/46,
D10/86; 73/146, 146.2-146.8

See application file for complete search history.

(56) **References Cited**

U.S. PATENT DOCUMENTS

1,855,088	A *	4/1932	Boenker et al.	73/146.8
4,193,295	A *	3/1980	Curran	73/146.8

4,244,214	A *	1/1981	Curran	73/146.8
D335,465	S *	5/1993	Garrison, III	D10/86
2003/0192371	A1 *	10/2003	Cousineau	73/146

* cited by examiner

Primary Examiner—Antoine D Davis

(74) *Attorney, Agent, or Firm*—Gifford, Krass, Sprinkle,
Anderson & Citkowski, P.C.

(57) **CLAIM**

The ornamental design for an air gauge, as shown and described.

DESCRIPTION

FIG. 1 is an elevational view of a preferred embodiment of the air gauge of the present invention;

FIG. 2 is a front view thereof, the rear view being identical;

FIG. 3 is a right side view thereof the left side being identical;

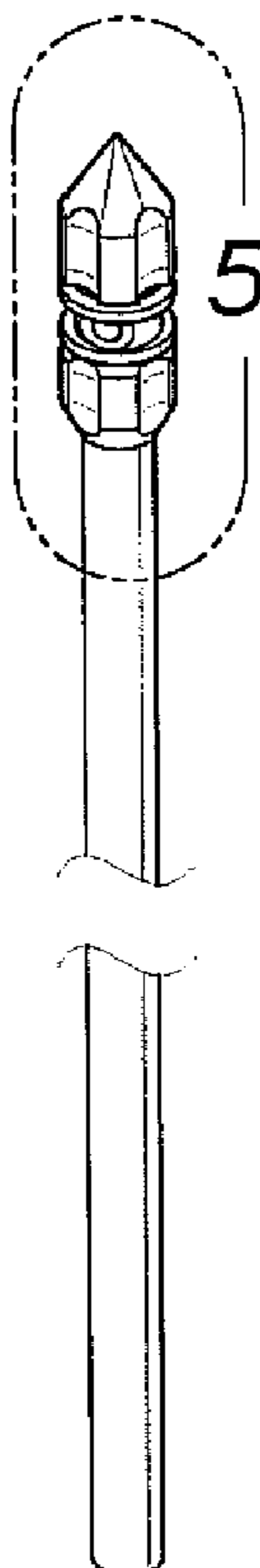
FIG. 4 is a top view thereof;

FIG. 5 is an elevational view taken substantially along circle 5 in FIG. 1 and enlarged for clarity;

FIG. 6 is a view taken along circle 6 in FIG. 2 and enlarged for clarity; and,

FIG. 7 is a view taken along circle 7 in FIG. 3 and enlarged for clarity.

1 Claim, 2 Drawing Sheets



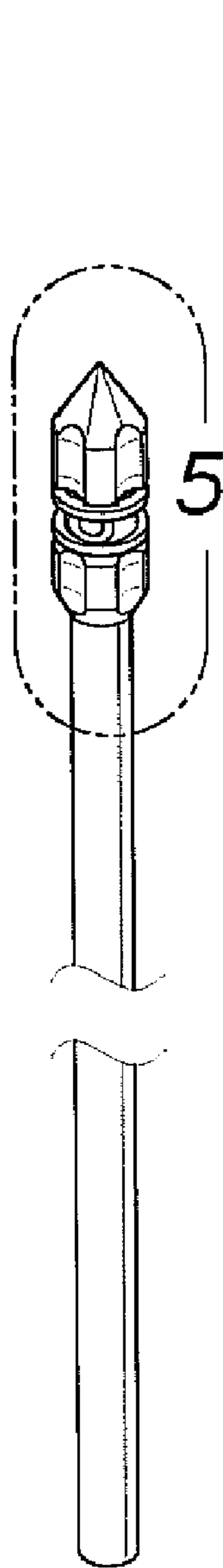


Fig-1

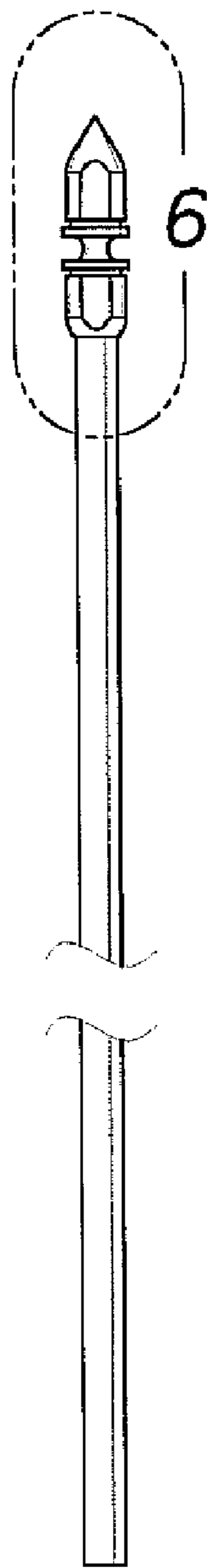


Fig-2

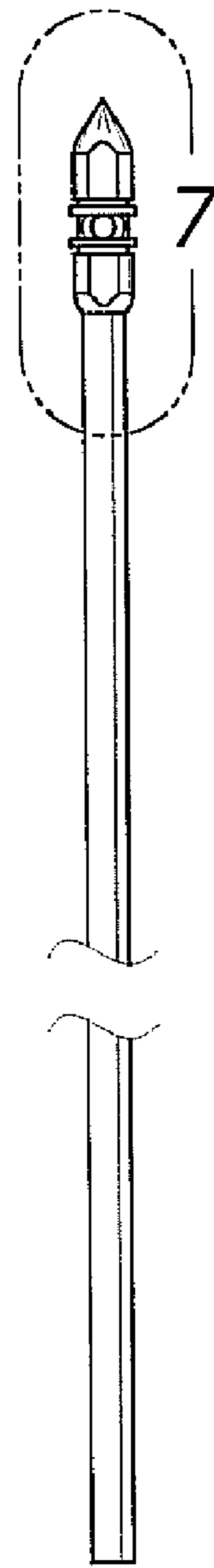


Fig-3

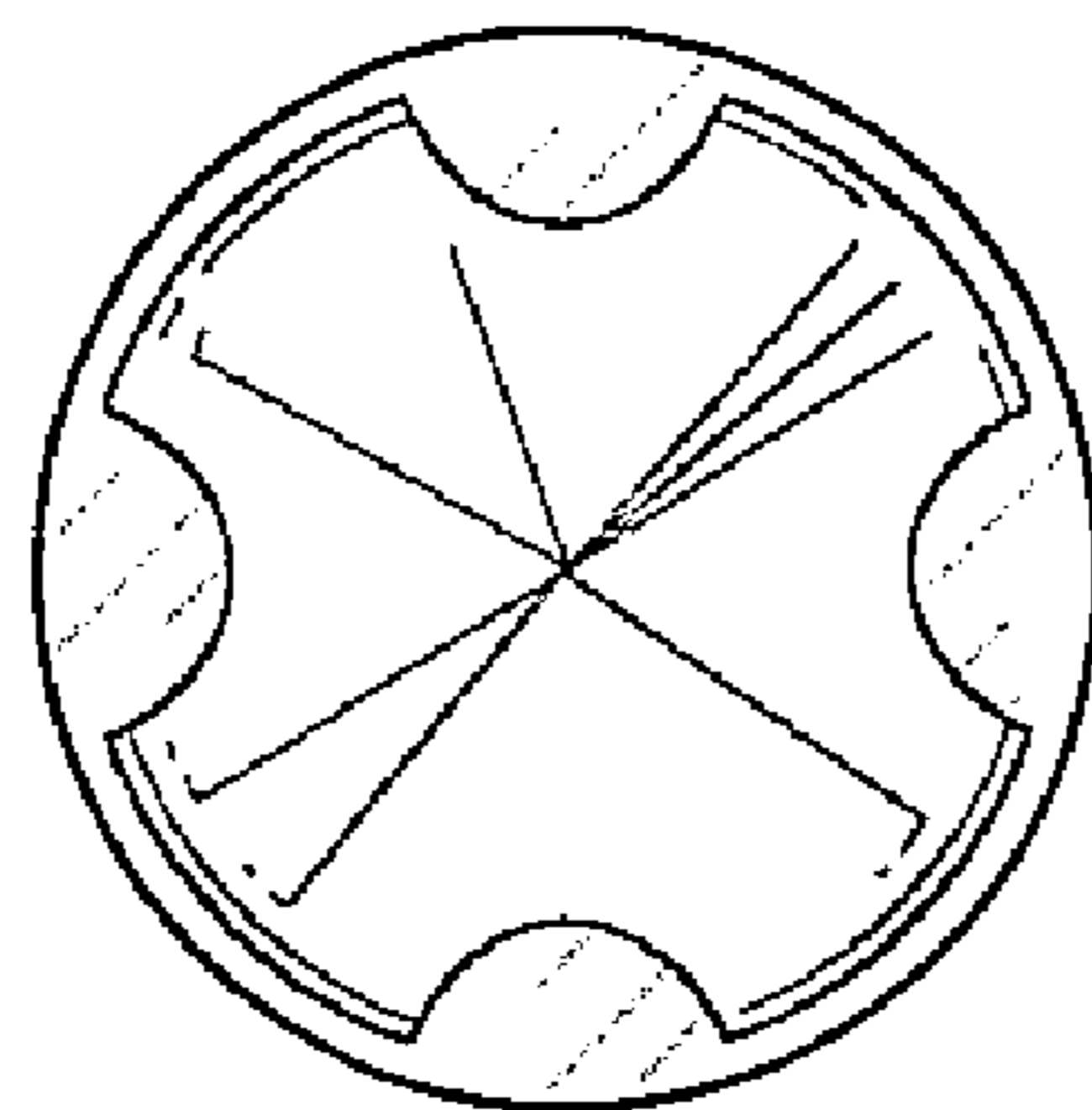


Fig-4

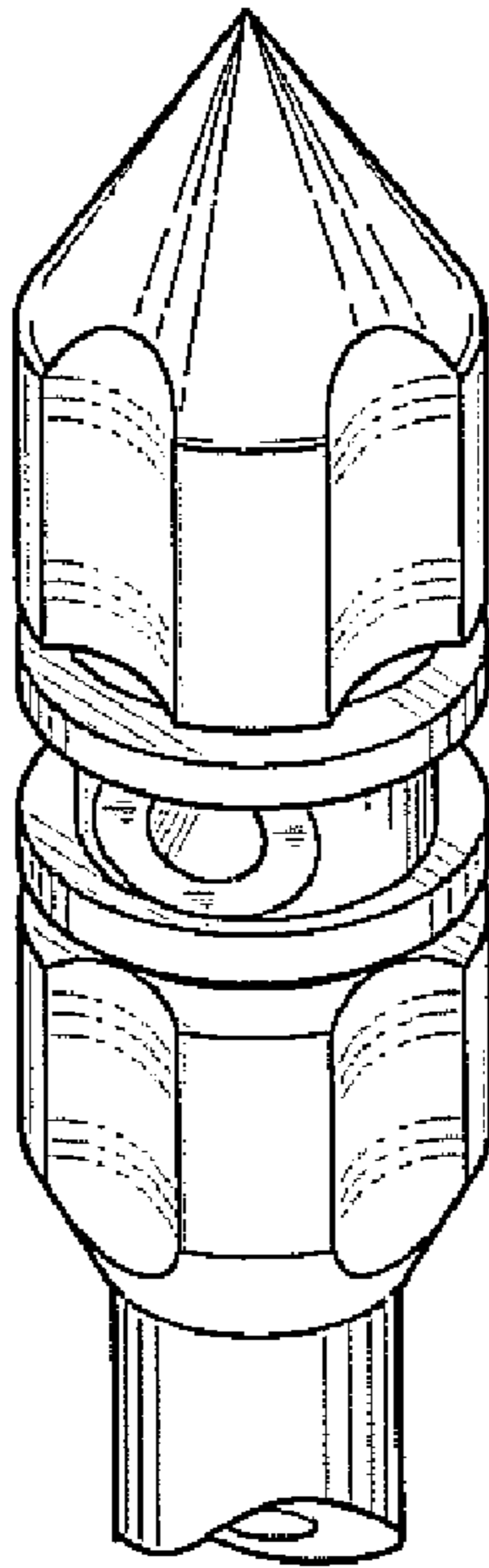


Fig-5

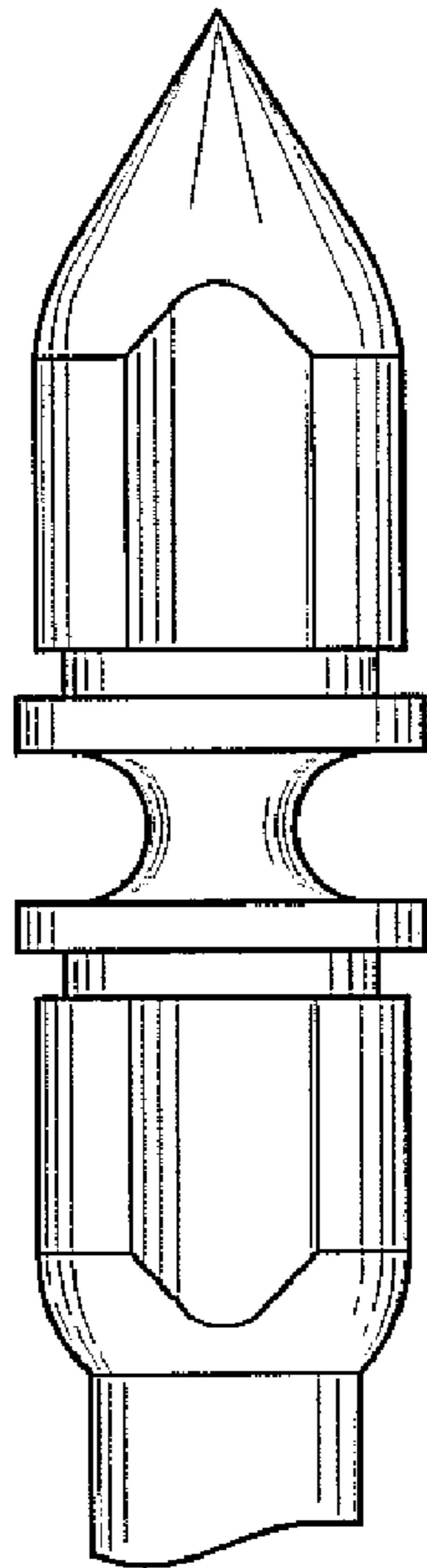


Fig-6

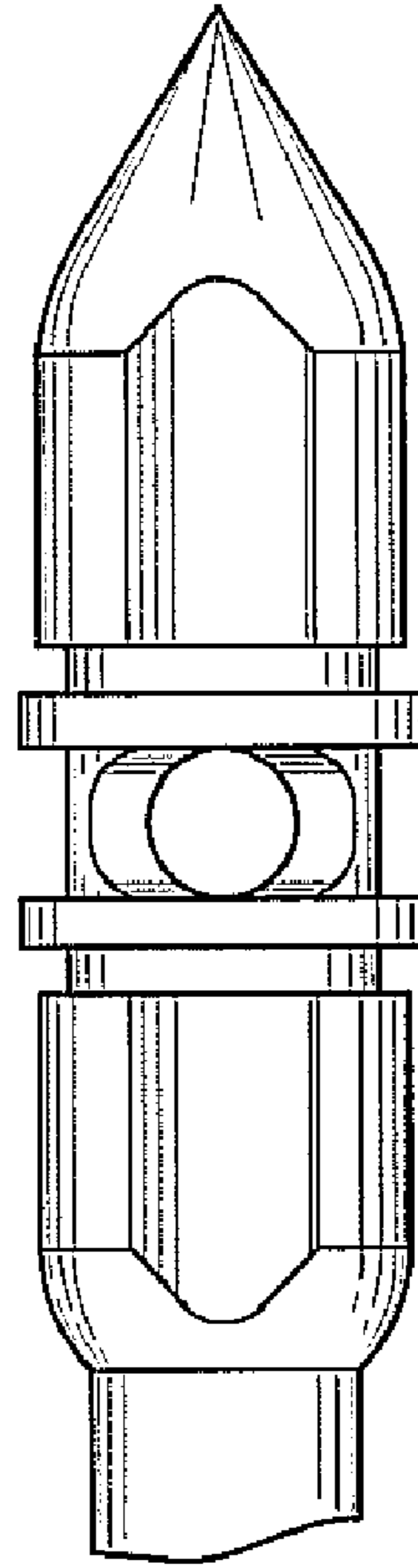


Fig-7