



US00D611372S

(12) **United States Design Patent**  
**Salter et al.**

(10) **Patent No.:** **US D611,372 S**  
(45) **Date of Patent:** **\*\* \*Mar. 9, 2010**

- (54) **ANALYTE TEST METER**
- (75) Inventors: **Simon Salter**, Edinburgh (GB); **Nick Foley**, Edinburgh (GB); **Martin Crofton**, Stockton-On-Tees (GB); **James McLusky**, Edinburgh (GB); **Allan Faulkner**, Avoch (GB)
- (73) Assignee: **Lifescan Scotland Limited**, Scotland (GB)

- D251,114 S 2/1979 Potts
- D261,739 S 11/1981 Leibson
- D264,192 S 5/1982 Greenlee et al.
- D264,193 S 5/1982 Greenlee et al.
- D278,606 S 4/1985 Suzuki
- D278,689 S 5/1985 Jupe
- D281,148 S 10/1985 Highstreet et al.
- D282,448 S 2/1986 Hall
- D287,946 S 1/1987 Tsuyama
- D288,542 S 3/1987 Tsuyama

(Continued)

(\*\*) Term: **14 Years**

FOREIGN PATENT DOCUMENTS

(21) Appl. No.: **29/324,785**

CA 1210867 A1 9/1986

(22) Filed: **Sep. 19, 2008**

(Continued)

*Primary Examiner*—Antoine D Davis

- (51) **LOC (9) Cl.** ..... **10-04**
- (52) **U.S. Cl.** ..... **D10/81; D10/78**
- (58) **Field of Classification Search** ..... D10/78,  
D10/81; D24/216, 232, 224; 204/415, 416,  
204/412, 409, 435, 403.02, 403.06, 403.01;  
205/785.5, 787.5, 782, 792, 777.5; 345/824,  
345/156, 158, 810; 422/50, 58, 61–63, 67,  
422/68.1, 80, 82.03, 104; 455/12.1, 86, 406;  
600/345, 300, 583, 490, 309, 365, 319; 700/17,  
700/431, 499, 866.3; 705/2–4; 702/19, 22,  
702/62, 91, 104; 428/212; 340/573.1, 309.16;  
436/46, 514, 518; 604/891.1, 131, 504, 584,  
604/301, 890, 167, 500, 67; 435/14; 703/11;  
361/816; 606/182

(57) **CLAIM**

We claim the ornamental design for an analyte test meter, as shown and described.

See application file for complete search history.

**DESCRIPTION**

This application claims priority from U.S. application Ser. No. 29/305,485 filed Mar. 21, 2008; U.S. application Ser. No. 29/305,482 filed Mar. 21, 2008; and U.S. application Ser. No. 29/305,486 filed Mar. 21, 2008, which are fully incorporated herein by reference, and to which priority is claimed.

(56) **References Cited**

U.S. PATENT DOCUMENTS

- D243,038 S 1/1977 Ray
- D243,932 S 4/1977 Warren
- D247,161 S 2/1978 Fernandez et al.
- D247,162 S 2/1978 Vanasco
- D248,628 S 7/1978 Schwartz
- D248,929 S 8/1978 Connolly
- D249,479 S 9/1978 Rasmussen
- D250,882 S 1/1979 Johansen

- FIG. 1 is a perspective view of the front of an analyte test meter, as seen from one perspective;
- FIG. 2 is a plan view of the front thereof;
- FIG. 3 is a first side view thereof;
- FIG. 4 is a second side view thereof;
- FIG. 5 is a top view thereof;
- FIG. 6 is a bottom view thereof; and,
- FIG. 7 is a plan view of the back thereof.

The feature shown in broken lines in various Figures are for illustrating reference or environmental structure.

**1 Claim, 5 Drawing Sheets**



# US D611,372 S

Page 2

U.S. PATENT DOCUMENTS					
D292,610 S	11/1987	Nelson	D429,527 S	8/2000	Bolam et al.
D302,393 S	7/1989	Falconer	6,106,780 A	8/2000	Douglas et al.
D304,306 S	10/1989	Kagayama	D430,499 S	9/2000	Sakakibara et al.
D307,399 S	4/1990	Collister	D432,934 S	10/2000	Simbeck et al.
D307,556 S	5/1990	Collister	6,136,610 A	10/2000	Polito et al.
D309,118 S	7/1990	Hall	D435,470 S	12/2000	Suh
D309,867 S	8/1990	Johnson	D435,471 S	12/2000	Simbeck et al.
D312,421 S	11/1990	Trottmann	D435,796 S	1/2001	Tomiyama et al.
D313,560 S	1/1991	Kummunsalo	D437,058 S	1/2001	Gozani
D314,155 S	1/1991	Toivonen	6,168,563 B1	1/2001	Brown
D316,823 S	5/1991	Dadachanji	D444,235 S	6/2001	Roberts et al.
5,019,974 A	5/1991	Beckers	6,246,966 B1	6/2001	Perry
D319,250 S	8/1991	Iinuma	D445,351 S	7/2001	Yamauchi et al.
D319,988 S	9/1991	Ueda	D446,737 S	8/2001	Olson
5,077,476 A	12/1991	Rosenthal	D447,070 S	8/2001	Chen
D323,893 S	2/1992	Arioka	D452,659 S	1/2002	Harju et al.
D324,344 S	3/1992	Collister	D452,830 S	1/2002	Harju et al.
5,216,597 A	6/1993	Beckers	6,336,053 B1	1/2002	Beatty
D339,537 S	9/1993	Willnauer et al.	D453,905 S	2/2002	Cheng
D346,602 S	5/1994	Robertson	6,377,894 B1	4/2002	Deweese et al.
D346,751 S	5/1994	Emori	D457,824 S	5/2002	Tan
D346,753 S	5/1994	Barbookles, Jr. et al.	D460,557 S	7/2002	Steinberg et al.
5,315,236 A	5/1994	Lee	D460,925 S	7/2002	Arnoux et al.
D349,252 S	8/1994	Hurd	D462,024 S	8/2002	Nardo et al.
D349,860 S	8/1994	Omuro et al.	D465,026 S	10/2002	May et al.
D351,023 S	9/1994	Walters	6,461,331 B1	10/2002	Van Antwerp
D354,921 S	1/1995	Narayanan	D469,107 S	1/2003	Miller et al.
D360,151 S	7/1995	Kim et al.	D469,109 S	1/2003	Jobs et al.
D360,840 S	8/1995	Brockway et al.	6,513,532 B2	2/2003	Mault et al.
D360,841 S	8/1995	Stevens	6,514,460 B1	2/2003	Fendrock
D363,237 S	10/1995	Aloise	D471,280 S	3/2003	Jaeck
D363,287 S	10/1995	Laituri	D472,245 S	3/2003	Andre et al.
D364,105 S	11/1995	Omuro et al.	D473,310 S	4/2003	Schlagheck et al.
D366,042 S	1/1996	Laituri	6,562,625 B2	5/2003	Modzelewski et al.
D366,463 S	1/1996	Ive et al.	D476,911 S	7/2003	Chen
D368,264 S	3/1996	Laituri	D477,540 S	7/2003	Chen
D369,563 S	5/1996	Meehan	D478,053 S	8/2003	Coster et al.
D371,517 S	7/1996	Narayanan	6,604,050 B2	8/2003	Trippel et al.
D371,605 S	7/1996	Wong et al.	D481,963 S	11/2003	Onuma et al.
D371,748 S	7/1996	Narayanan	D482,452 S	11/2003	Davey et al.
D373,121 S	8/1996	DeJuliis et al.	D483,680 S	12/2003	Chen
D374,405 S	10/1996	Rawsthorne	D484,818 S	1/2004	Krieter et al.
D381,280 S	7/1997	Tomiyama et al.	D491,084 S	6/2004	Olson
D382,498 S	8/1997	Warwick	D491,822 S	6/2004	Holbein
5,665,215 A	9/1997	Bussmann et al.	6,743,635 B2	6/2004	Neel et al.
5,695,623 A	12/1997	Michel et al.	6,765,597 B2	7/2004	Barksdale et al.
D390,139 S	2/1998	Tomiyama et al.	D495,418 S	8/2004	Rounds et al.
D393,313 S	4/1998	Meisner et al.	D497,618 S	10/2004	Andre et al.
D395,020 S	6/1998	Reichow et al.	6,810,290 B2	10/2004	Lebel et al.
D395,242 S	6/1998	Yamakoshi et al.	D499,805 S	12/2004	D'Agostino
D396,657 S	8/1998	Nagai et al.	6,837,858 B2	1/2005	Cunningham et al.
D401,520 S	11/1998	Beha	D503,119 S	3/2005	Motomizu et al.
D401,522 S	11/1998	Ueda et al.	D504,074 S	4/2005	Tsujimura
D406,895 S	3/1999	Byrd et al.	D504,334 S	4/2005	Tsujimura
D407,031 S	3/1999	Bourgeois et al.	D505,950 S	6/2005	Summit et al.
D413,538 S	9/1999	Chen	D506,476 S	6/2005	Andre et al.
D414,125 S	9/1999	Chen	D506,832 S	6/2005	Neel et al.
D415,440 S	10/1999	Beadsworth	D507,657 S	7/2005	Neel et al.
5,964,718 A	10/1999	Duchon et al.	D508,028 S	8/2005	Deubler
D416,820 S	11/1999	Tanaka et al.	D508,215 S	8/2005	Grygo
D417,504 S	12/1999	Love et al.	D508,862 S	8/2005	Behar et al.
5,997,475 A	12/1999	Bortz	D509,451 S	9/2005	Tsujimura
D419,894 S	2/2000	Luo et al.	6,946,299 B2	9/2005	Neel et al.
D419,895 S	2/2000	Nagashima et al.	D510,287 S	10/2005	Chen et al.
D421,229 S	2/2000	Imai	D510,711 S	10/2005	Syme et al.
D422,519 S	4/2000	Ueda et al.	6,953,693 B2	10/2005	Neel et al.
D423,102 S	4/2000	Mertenat	6,959,247 B2	10/2005	Neel et al.
D423,960 S	5/2000	Tam	D511,113 S	11/2005	Feldman et al.
D424,696 S	5/2000	Ray et al.	6,964,871 B2	11/2005	Bell et al.
D428,493 S	7/2000	Radwanski et al.	D512,655 S	12/2005	McGugan
D428,654 S	7/2000	Schlesinger et al.	D513,598 S	1/2006	Bingham, Jr. et al.
			D514,005 S	1/2006	Gregorec, Jr. et al.
			D514,006 S	1/2006	Kaar et al.



# US D611,372 S

D516,217 S	2/2006	Brown et al.	D555,525 S	11/2007	Chong et al.
6,997,344 B2	2/2006	Brown et al.	D556,155 S	11/2007	Andre et al.
D516,576 S	3/2006	Ive et al.	7,293,245 B2	11/2007	Sloo et al.
D518,290 S	4/2006	Andre et al.	D557,234 S	12/2007	Kim
D518,397 S	4/2006	Sydrowski et al.	7,323,141 B2	1/2008	Kirchhevel et al.
D519,047 S	4/2006	Sydrowski et al.	D561,905 S	2/2008	Ramel et al.
7,022,072 B2	4/2006	Fox et al.	D569,386 S	5/2008	Byeon et al.
7,024,236 B2	4/2006	Ford et al.	D570,718 S *	6/2008	Morris et al. .... D10/81
D519,864 S	5/2006	Bingham, Jr. et al.	7,390,665 B2 *	6/2008	Gilmour et al. .... 422/50
D520,388 S	5/2006	Sydrowski et al.	D574,392 S	8/2008	Kwag et al.
D520,391 S	5/2006	Motomizu et al.	D577,364 S	9/2008	Flynt et al.
D520,888 S	5/2006	Sydrowski et al.	D577,366 S	9/2008	Flynt et al.
D520,893 S	5/2006	Sato	D577,367 S	9/2008	Flynt et al.
D521,402 S	5/2006	Kobayakawa et al.	D577,738 S	9/2008	Kwag
7,037,196 B2	5/2006	Kobayashi et al.	D580,285 S *	11/2008	Hendrickson et al. .... D10/78
D522,656 S	6/2006	Orr et al.	D586,678 S	2/2009	Schvetz et al.
D522,657 S	6/2006	Murphy et al.	D595,731 S	7/2009	Vu et al.
D527,176 S	8/2006	Andre et al.	D596,194 S	7/2009	Vu et al.
D527,723 S	9/2006	Andre et al.	2001/0011224 A1	8/2001	Brown
D528,933 S	9/2006	Hunter et al.	2001/0056328 A1	12/2001	Trippel et al.
D529,044 S	9/2006	Andre et al.	2002/0047867 A1	4/2002	Mault et al.
D530,424 S	10/2006	Manser et al.	2002/0068157 A1	6/2002	Wischerhoff
D534,444 S	1/2007	Wallace	2002/0109600 A1	8/2002	Mault et al.
D534,921 S	1/2007	Andre et al.	2002/0154177 A1	10/2002	Barksdale et al.
D535,031 S	1/2007	Barrett et al.	2002/0170823 A1	11/2002	Housefield et al.
D535,308 S	1/2007	Andre et al.	2003/0020742 A1	1/2003	Hasha et al.
7,160,251 B2	1/2007	Neel et al.	2003/0021729 A1	1/2003	Moller et al.
7,179,226 B2	2/2007	Crothall et al.	2003/0032190 A1	2/2003	Brown et al.
7,181,350 B2	2/2007	Oberding et al.	2003/0032867 A1	2/2003	Crothall et al.
D538,822 S	3/2007	Andre et al.	2003/0032868 A1	2/2003	Graskov et al.
D539,680 S	4/2007	Liu et al.	2003/0055406 A1	3/2003	Lebel et al.
D539,814 S	4/2007	Andre et al.	2003/0060765 A1	3/2003	Campbell et al.
D541,297 S	4/2007	Andre et al.	2003/0065308 A1	4/2003	Lebel et al.
D541,298 S	4/2007	Andre et al.	2003/0100913 A1	5/2003	Shi
D541,299 S	4/2007	Andre et al.	2003/0111357 A1	6/2003	Black
D542,306 S	5/2007	Andre et al.	2003/0125612 A1	7/2003	Fox et al.
D542,681 S	5/2007	Young et al.	2003/0138356 A1	7/2003	Gilmour et al.
D542,808 S	5/2007	Andre et al.	2003/0144582 A1	7/2003	Cohen et al.
7,223,235 B2	5/2007	Brown et al.	2003/0163088 A1	8/2003	Blomquist
7,223,236 B2	5/2007	Brown et al.	2003/0203498 A1	10/2003	Neel et al.
D543,878 S	6/2007	Castillo et al.	2003/0208113 A1	11/2003	Mault et al.
D544,385 S	6/2007	Ozawa et al.	2003/0211617 A1	11/2003	Jones
D545,436 S	6/2007	Padain	2003/0212379 A1	11/2003	Bylund et al.
D545,438 S	6/2007	Huang et al.	2004/0015102 A1	1/2004	Cummings et al.
D545,705 S	7/2007	Voegel	2004/0038411 A1	2/2004	Hayter et al.
D546,218 S	7/2007	Grasso et al.	2004/0039255 A1	2/2004	Simonsen et al.
D546,456 S	7/2007	May	2004/0048394 A1	3/2004	Kirchhevel
D546,457 S	7/2007	Hannant et al.	2004/0057340 A1	3/2004	Erickson et al.
D546,458 S	7/2007	Hannant	2004/0058433 A1	3/2004	Yu et al.
D546,952 S	7/2007	May	2004/0059201 A1	3/2004	Ginsberg
D547,216 S	7/2007	Rounds et al.	2004/0069793 A1	4/2004	Brown et al.
7,241,265 B2	7/2007	Cummings et al.	2004/0079653 A1	4/2004	Karinka et al.
D548,347 S	8/2007	Ichino et al.	2004/0094432 A1	5/2004	Neel et al.
D548,744 S	8/2007	Andre et al.	2004/0094433 A1	5/2004	Neel et al.
D548,745 S	8/2007	Andre et al.	2004/0096991 A1	5/2004	Zhang
D548,746 S	8/2007	Andre et al.	2004/0099540 A1	5/2004	Neel et al.
D548,747 S	8/2007	Andre et al.	2004/0100479 A1	5/2004	Nakano et al.
D549,237 S	8/2007	Andre et al.	2004/0104131 A1	6/2004	Neel et al.
7,256,714 B2	8/2007	Philipp et al.	2004/0106855 A1	6/2004	Brown
7,258,666 B2	8/2007	Brown et al.	2004/0107116 A1	6/2004	Brown
D550,364 S	9/2007	Glover et al.	2004/0117207 A1	6/2004	Brown
D551,252 S	9/2007	Andre et al.	2004/0117208 A1	6/2004	Brown
D551,578 S	9/2007	Kuriger et al.	2004/0117209 A1	6/2004	Brown
D551,680 S	9/2007	Andre et al.	2004/0117210 A1	6/2004	Brown
7,264,591 B2	9/2007	Brown et al.	2004/0118704 A1	6/2004	Wang et al.
D553,129 S	10/2007	Andre et al.	2004/0153585 A1	8/2004	Kawatahara et al.
D553,146 S	10/2007	Byeon et al.	2004/0157339 A1	8/2004	Burke et al.
D553,633 S	10/2007	Byeon et al.	2004/0172284 A1	9/2004	Sullivan et al.
7,276,146 B2	10/2007	Wilsey	2004/0172301 A1	9/2004	Mihai et al.
7,276,147 B2	10/2007	Wilsey	2004/0182703 A1	9/2004	Bell et al.
D554,657 S	11/2007	Kim et al.	2004/0197935 A1	10/2004	Forrow et al.
D554,658 S	11/2007	Park et al.	2004/0199409 A1	10/2004	Brown
D555,021 S *	11/2007	Rounds et al. .... D10/81	2004/0201603 A1	10/2004	Kalish



# US D611,372 S

2004/0217019 A1	11/2004	Cai et al.	2007/0118589 A1	5/2007	Brown	
2004/0219694 A1	11/2004	Chittock et al.	2007/0167693 A1	7/2007	Scholler et al.	
2004/0223877 A1	11/2004	Kim et al.	2007/0170054 A2	7/2007	Wilsey	
2004/0259180 A1	12/2004	Burke et al.	2007/0170055 A2	7/2007	Wilsey	
2005/0009126 A1	1/2005	Andrews et al.	2007/0179352 A1	8/2007	Randlov et al.	
2005/0019848 A1	1/2005	Lee et al.	2007/0213603 A1	9/2007	Brown	
2005/0033603 A1	2/2005	Suzuki et al.	2007/0213604 A1	9/2007	Brown	
2005/0038332 A1	2/2005	Saidara et al.	2007/0213605 A1	9/2007	Brown	
2005/0045476 A1	3/2005	Neel et al.	2007/0213608 A1	9/2007	Brown	
2005/0049179 A1	3/2005	Davidson et al.	2007/0218543 A1	9/2007	Flaherty et al.	
2005/0056539 A1	3/2005	Morgan et al.	2007/0230155 A1	10/2007	Christol et al.	
2005/0059895 A1	3/2005	Brown	2007/0231209 A1	10/2007	Cosentino et al.	
2005/0065760 A1	3/2005	Murtfeldt et al.	2007/0231846 A1	10/2007	Cosentino et al.	
2005/0067277 A1	3/2005	Pierce et al.	2007/0255114 A1	11/2007	Ackermann et al.	
2005/0071761 A1	3/2005	Kontio	2007/0255123 A1	11/2007	Cummings et al.	
2005/0074368 A1	4/2005	Moller et al.	2007/0255126 A1	11/2007	Moberg et al.	
2005/0080652 A1	4/2005	Brown	2007/0266871 A1	11/2007	Wegner et al.	
2005/0086083 A1	4/2005	Brown	2007/0276209 A1	11/2007	Emoto et al.	
2005/0109618 A1	5/2005	Davies	2007/0276621 A1	11/2007	Davies et al.	
2005/0115831 A1	6/2005	Huang	2007/0281321 A1	12/2007	Nagale et al.	
2005/0133368 A1	6/2005	Davies et al.	2007/0287182 A1	12/2007	Morris et al.	
2005/0137530 A1	6/2005	Campbell et al.	2007/0287895 A1	12/2007	Brown	
2005/0139469 A1	6/2005	Davies et al.	2007/0287985 A1	12/2007	Estes et al.	
2005/0143675 A1	6/2005	Neel et al.	2007/0289881 A1	12/2007	Forrow et al.	
2005/0143864 A1	6/2005	Blomquist	2007/0299321 A1	12/2007	Brown	
2005/0161344 A1	7/2005	Kermani et al.	2008/0011059 A1	1/2008	Davies et al.	
2005/0163657 A1	7/2005	Childers et al.	2008/0023326 A1	1/2008	Forrow et al.	
2005/0176153 A1	8/2005	OHara et al.	2008/0026473 A1	1/2008	Wang et al.	
2005/0183965 A1	8/2005	Davies	2008/0035478 A1	2/2008	Wegner et al.	
2005/0192492 A1	9/2005	Cho et al.	2008/0039885 A1	2/2008	Purcell	
2005/0197553 A1	9/2005	Cooper	2008/0045825 A1	2/2008	Melker et al.	
2005/0227370 A1	10/2005	Ramel et al.	2008/0073207 A1	3/2008	Teodorczyk et al.	
2005/0239156 A1	10/2005	Drucker et al.	2008/0082798 A1*	4/2008	Bloomfield et al. ....	712/223
2005/0240119 A1	10/2005	Draudt et al.	2008/0114228 A1	5/2008	McCluskey et al.	
2005/0240444 A1	10/2005	Wooten et al.	2008/0171967 A1	7/2008	Blomquist et al.	
2005/0245904 A1	11/2005	Estes et al.	2008/0172026 A1	7/2008	Blomquist	
2005/0256739 A1	11/2005	Brown	2008/0172027 A1	7/2008	Blomquist	
2005/0260769 A1	11/2005	Jonsson et al.	2008/0172028 A1	7/2008	Blomquist	
2005/0287499 A1	12/2005	Yeager	2008/0172029 A1	7/2008	Blomquist	
2006/0004611 A1	1/2006	Brown	2008/0172030 A1	7/2008	Blomquist	
2006/0009705 A1	1/2006	Brown	2008/0172031 A1	7/2008	Blomquist	
2006/0009706 A1	1/2006	Brown	2008/0177149 A1	7/2008	Weinert et al.	
2006/0010014 A1	1/2006	Brown	2008/0194934 A1	8/2008	Ray et al.	
2006/0064035 A1	3/2006	Wang et al.	2008/0287764 A1*	11/2008	Rasdal et al. ....	600/365
2006/0074324 A1	4/2006	Wu et al.	2009/0088694 A1*	4/2009	Carter et al. ....	604/151
2006/0080152 A1	4/2006	Brown	2009/0209040 A1*	8/2009	Flora et al. ....	436/43
2006/0100910 A1	5/2006	Brown				
2006/0132292 A1	6/2006	Blomquist				
2006/0144704 A1	7/2006	Ghesquiere et al.				
2006/0178914 A1	8/2006	Brown				
2006/0191787 A1	8/2006	Wang et al.				
2006/0201805 A1	9/2006	Forrow et al.				
2006/0229502 A1	10/2006	Pollock et al.				
2006/0231421 A1	10/2006	Diamond et al.				
2006/0231423 A1	10/2006	Harding et al.				
2006/0247951 A1	11/2006	Brown				
2006/0260940 A1	11/2006	McAleer et al.				
2006/0279431 A1	12/2006	Bakarania et al.				
2006/0286620 A1	12/2006	Werner et al.				
2007/0025877 A1	2/2007	Hansen				
2007/0048878 A1	3/2007	Carroll et al.				
2007/0061167 A1	3/2007	Brown				
2007/0065342 A1	3/2007	Brown et al.				
2007/0087397 A1	4/2007	Kraft et al.				
2007/0094049 A1	4/2007	Brown				
2007/0100665 A1	5/2007	Brown				
2007/0101297 A1	5/2007	Forstall et al.				
2007/0118403 A1	5/2007	Brown				
2007/0118404 A1	5/2007	Brown				
2007/0118588 A1	5/2007	Brown				

### FOREIGN PATENT DOCUMENTS

DE	4315532 A1	11/1993
EP	0290683 A2	11/1988
EP	0128054 B1	12/1988
EP	0883371 B1	10/2001
EP	1413245 A2	4/2004
EP	1144028 B1	6/2004
EP	1733678 A1	12/2006
GB	2159625 A	12/1985
TW	567018	12/2003
TW	D100248 S	9/2004
WO	94/011831	5/1994
WO	02/024065	3/2002
WO	04/008956 A2	1/2004
WO	04/056264 A1	7/2004
WO	05/106446 A1	11/2005
WO	05/112554 A2	12/2005
WO	05/121785 A2	12/2005
WO	06/066038 A2	6/2006
WO	06/072035 A1	7/2006
WO	07/0193841 A1	2/2007

\* cited by examiner

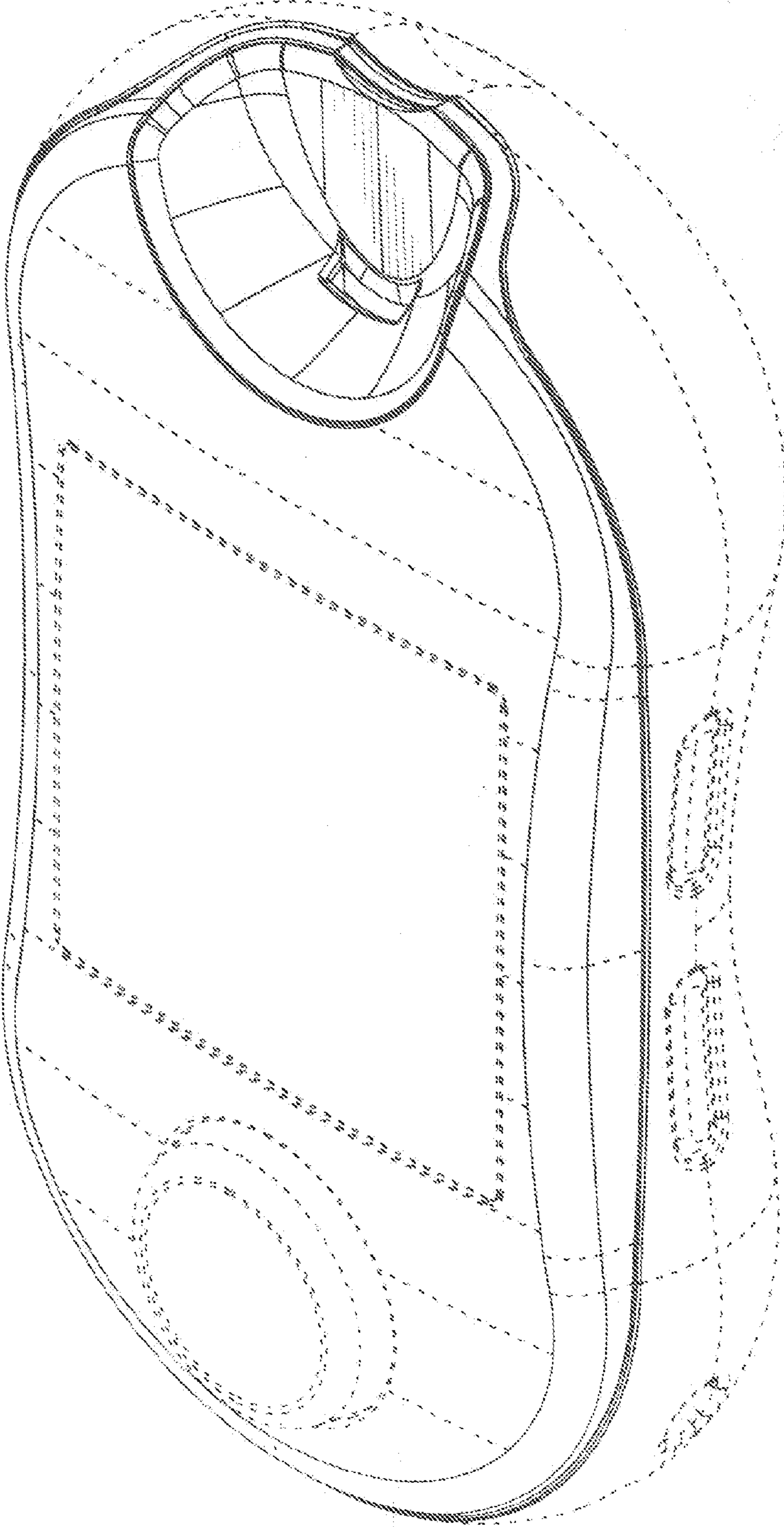


FIG. 1



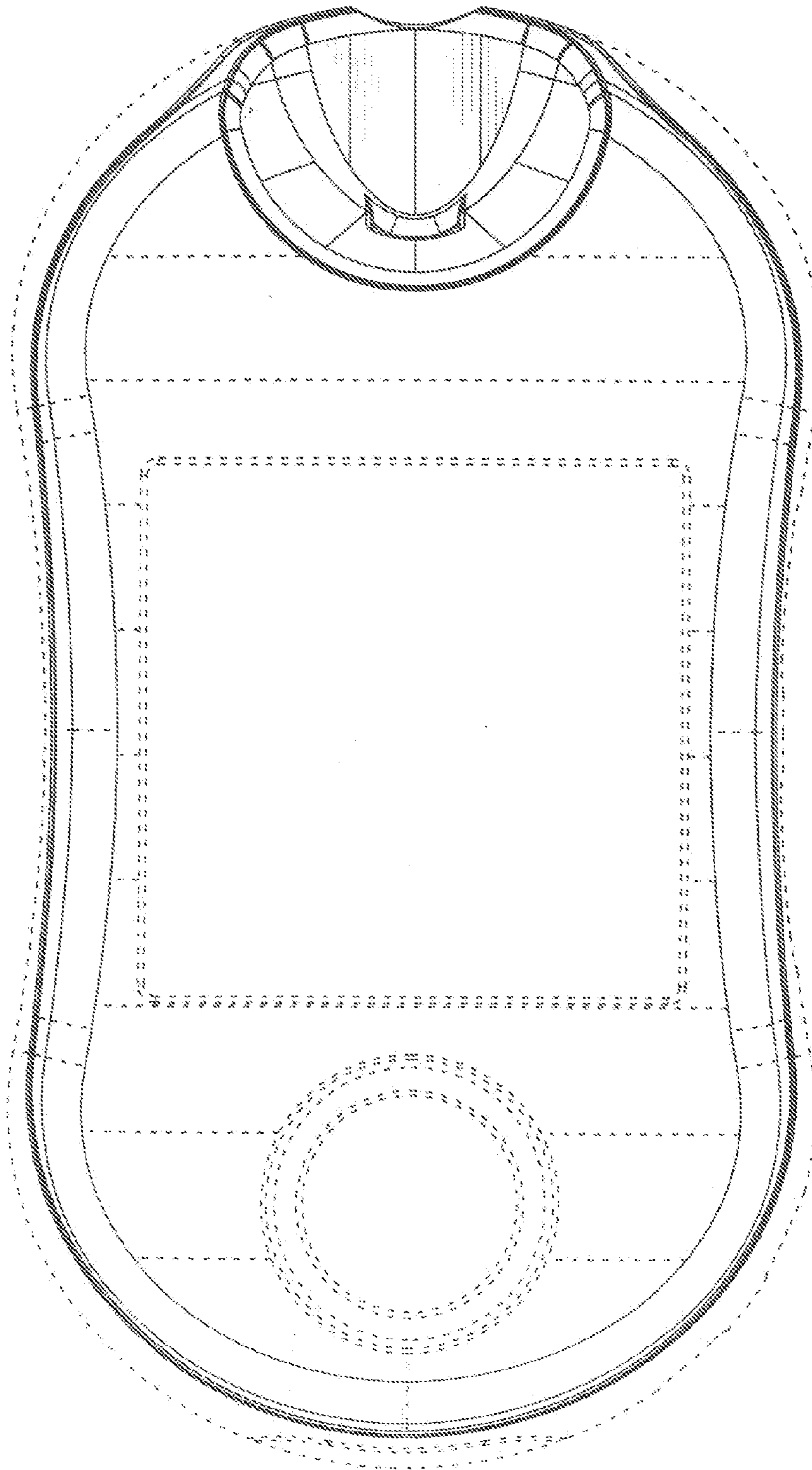


FIG. 2

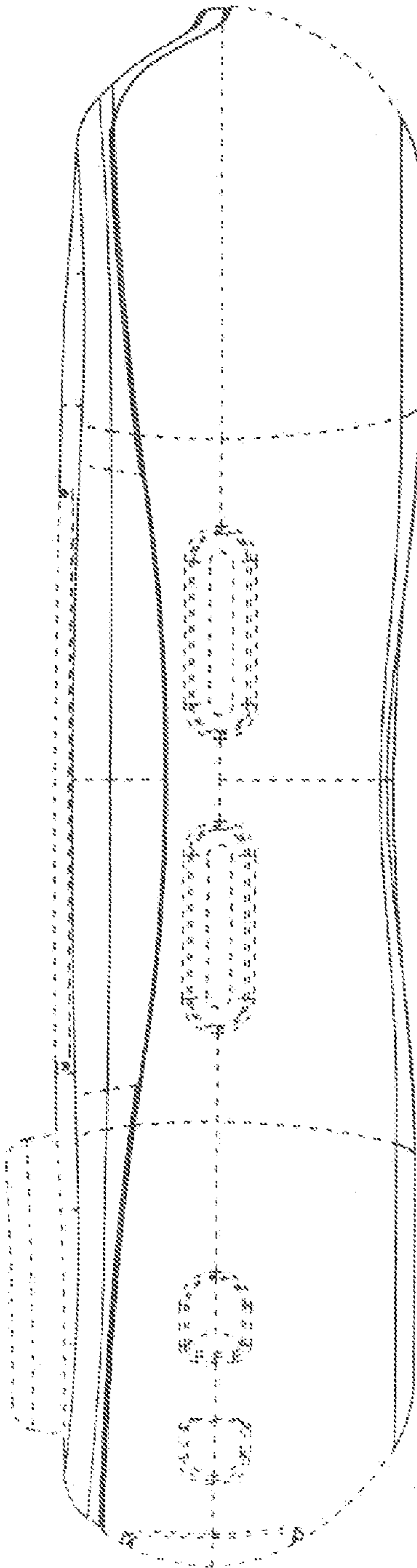


FIG. 3

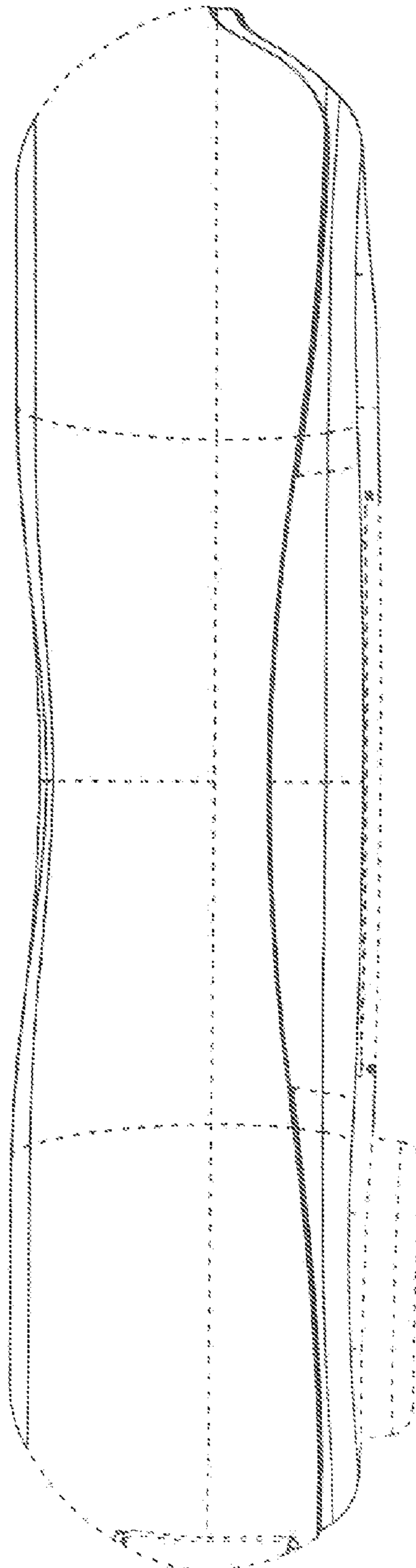


FIG. 4

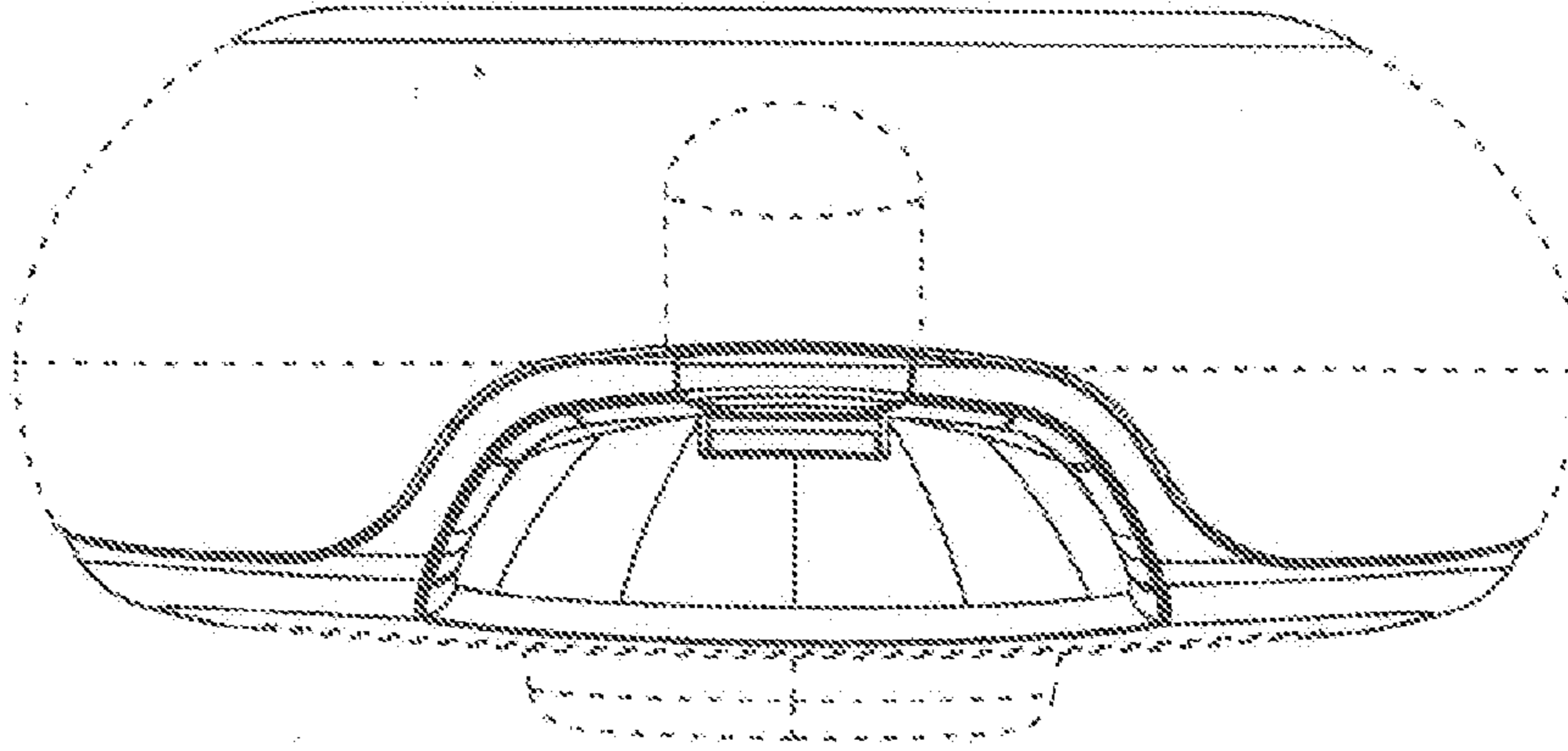


FIG. 5

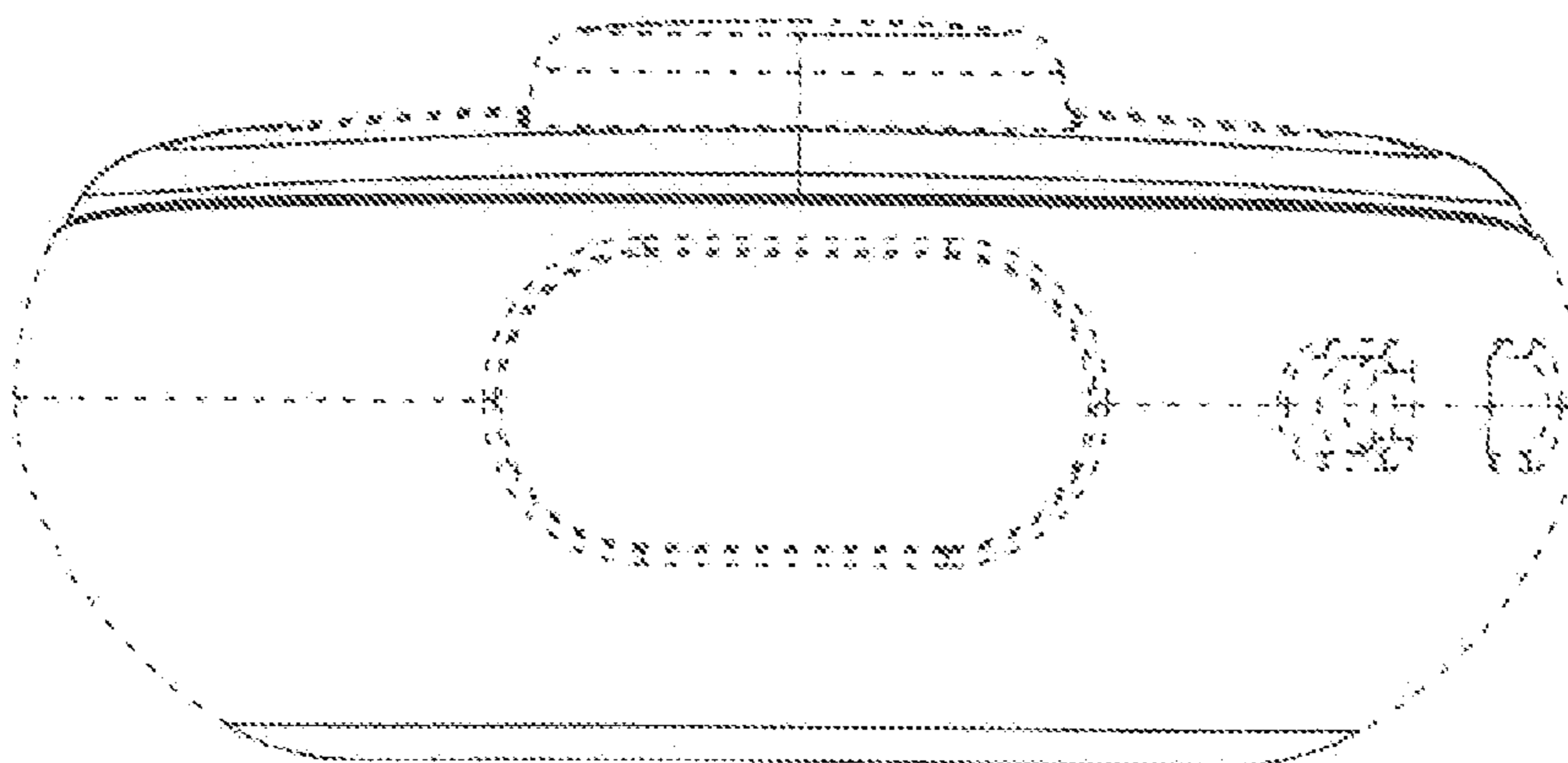


FIG. 6



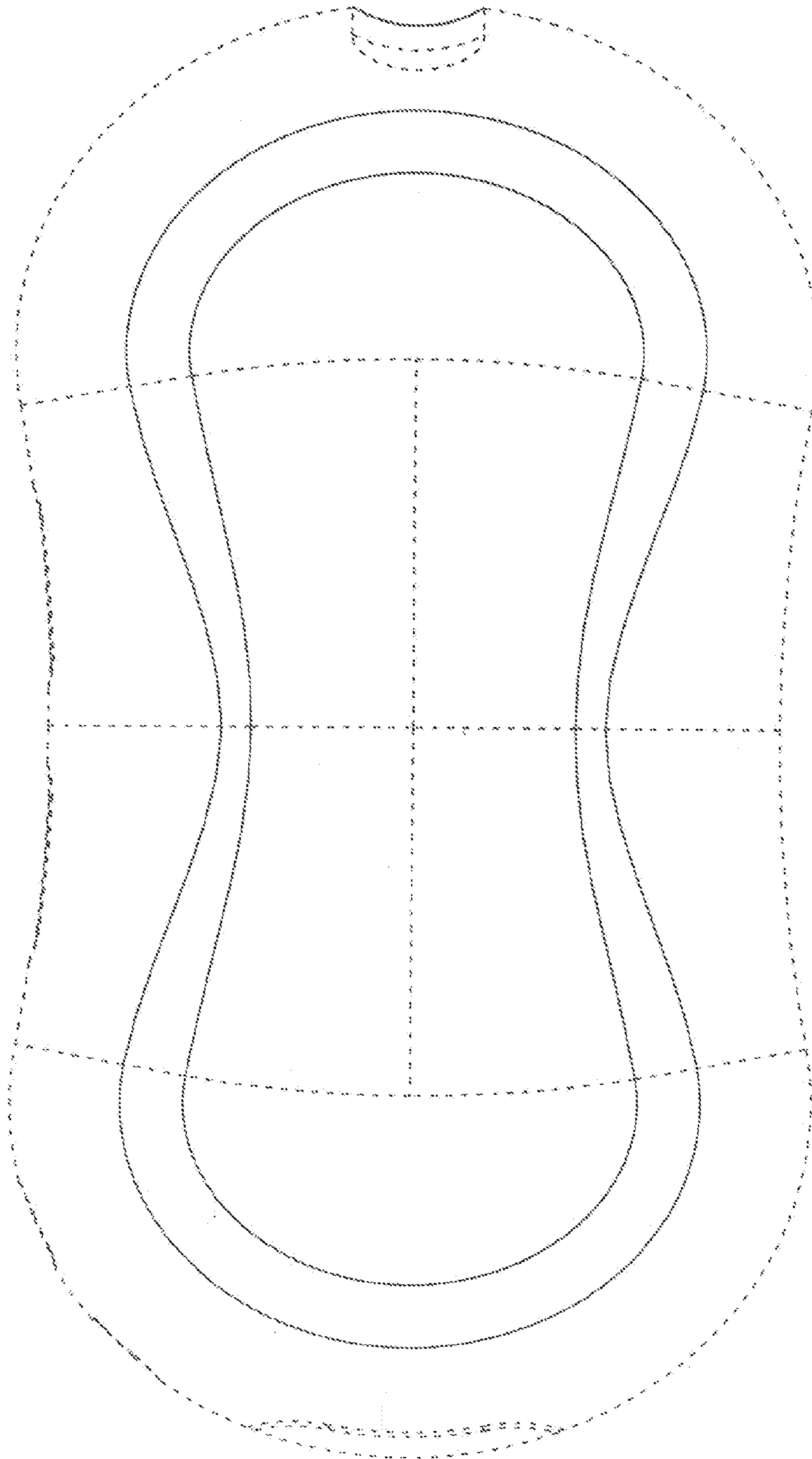


FIG. 7