

US00D611371S

(12) **United States Design Patent**  
**Ohtani et al.**

(10) **Patent No.:** **US D611,371 S**  
(45) **Date of Patent:** **\*\* Mar. 9, 2010**

(54) **MICROMETER**

(75) Inventors: **Shigeru Ohtani**, Kawasaki (JP); **Yoshiro Asano**, Tokyo (JP); **Shuji Hayashida**, Kawasaki (JP); **Shozaburo Tsuji**, Kawasaki (JP)

(73) Assignee: **Mitutoyo Corporation**, Kawasaki-Shi (JP)

(\*\*) Term: **14 Years**

(21) Appl. No.: **29/341,024**

(22) Filed: **Jul. 29, 2009**

(30) **Foreign Application Priority Data**

Feb. 4, 2009 (JP) ..... 2009-002317

(51) **LOC (9) Cl.** ..... **10-04**

(52) **U.S. Cl.** ..... **D10/73**

(58) **Field of Classification Search** ..... D10/73;  
33/783-832, DIG. 12

See application file for complete search history.

(56) **References Cited**

**U.S. PATENT DOCUMENTS**

D429,172 S \* 8/2000 Reymond ..... D10/73  
6,243,965 B1 \* 6/2001 Zanier et al. .... 33/831

7,484,314 B2 \* 2/2009 Weissinger ..... 33/831  
2004/0118004 A1 \* 6/2004 Hayashida et al. .... 33/815  
2005/0172508 A1 \* 8/2005 Seibold ..... 33/813  
2008/0250665 A1 \* 10/2008 Hayashida et al. .... 33/825  
2009/0282689 A1 \* 11/2009 Hayashida et al. .... 33/819

\* cited by examiner

*Primary Examiner*—Antoine D Davis

(74) *Attorney, Agent, or Firm*—Oliff & Berridge, PLC

(57) **CLAIM**

We claim the ornamental design for a micrometer, as shown and described.

**DESCRIPTION**

FIG. 1 is a front perspective view of a micrometer.

FIG. 2 is a rear perspective view thereof.

FIG. 3 is a front view thereof.

FIG. 4 is a rear view thereof.

FIG. 5 is a left-side view thereof.

FIG. 6 is a right-side view thereof

FIG. 7 is a top view thereof; and,

FIG. 8 is bottom view thereof.

**1 Claim, 8 Drawing Sheets**

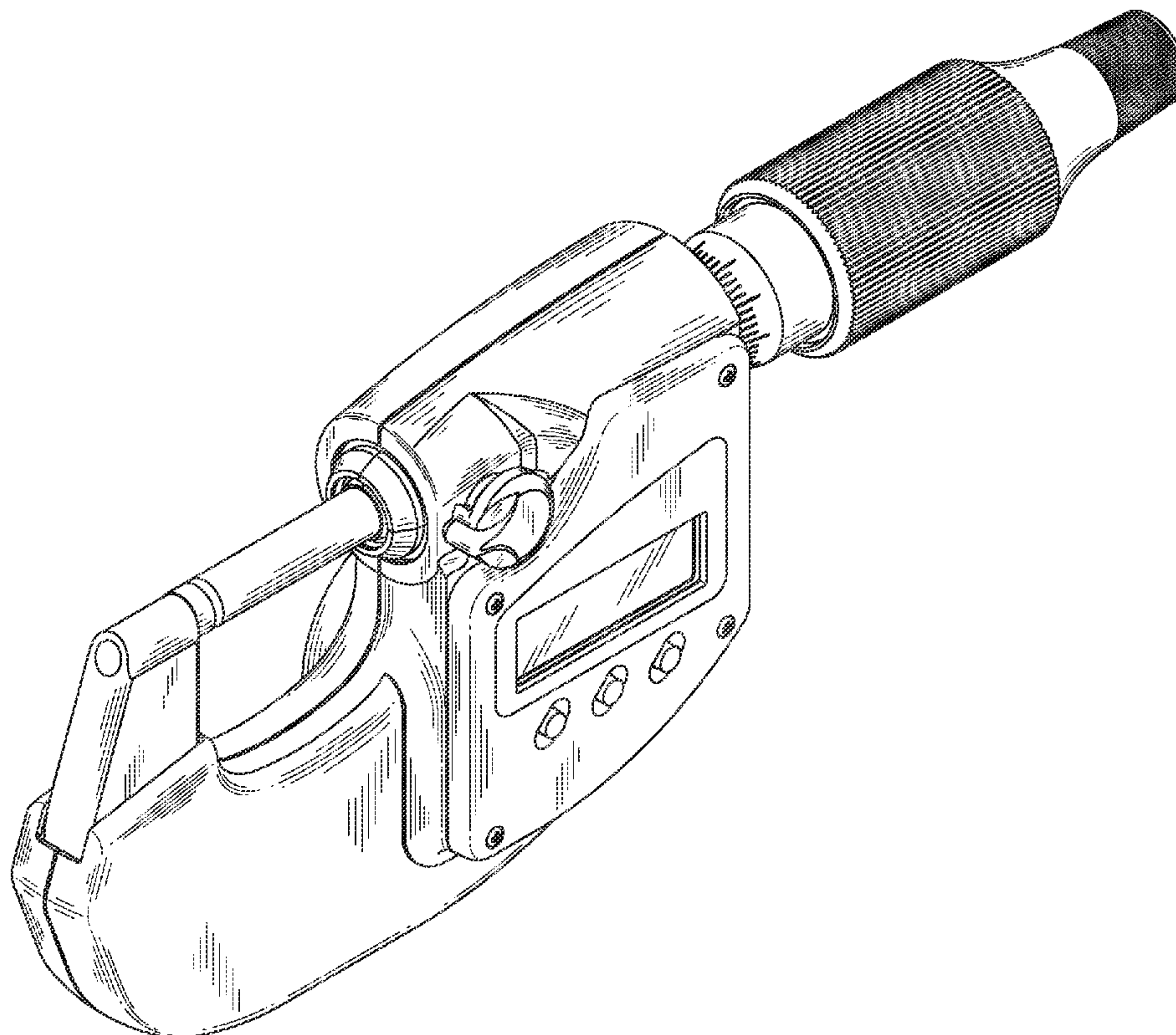


FIG. 1

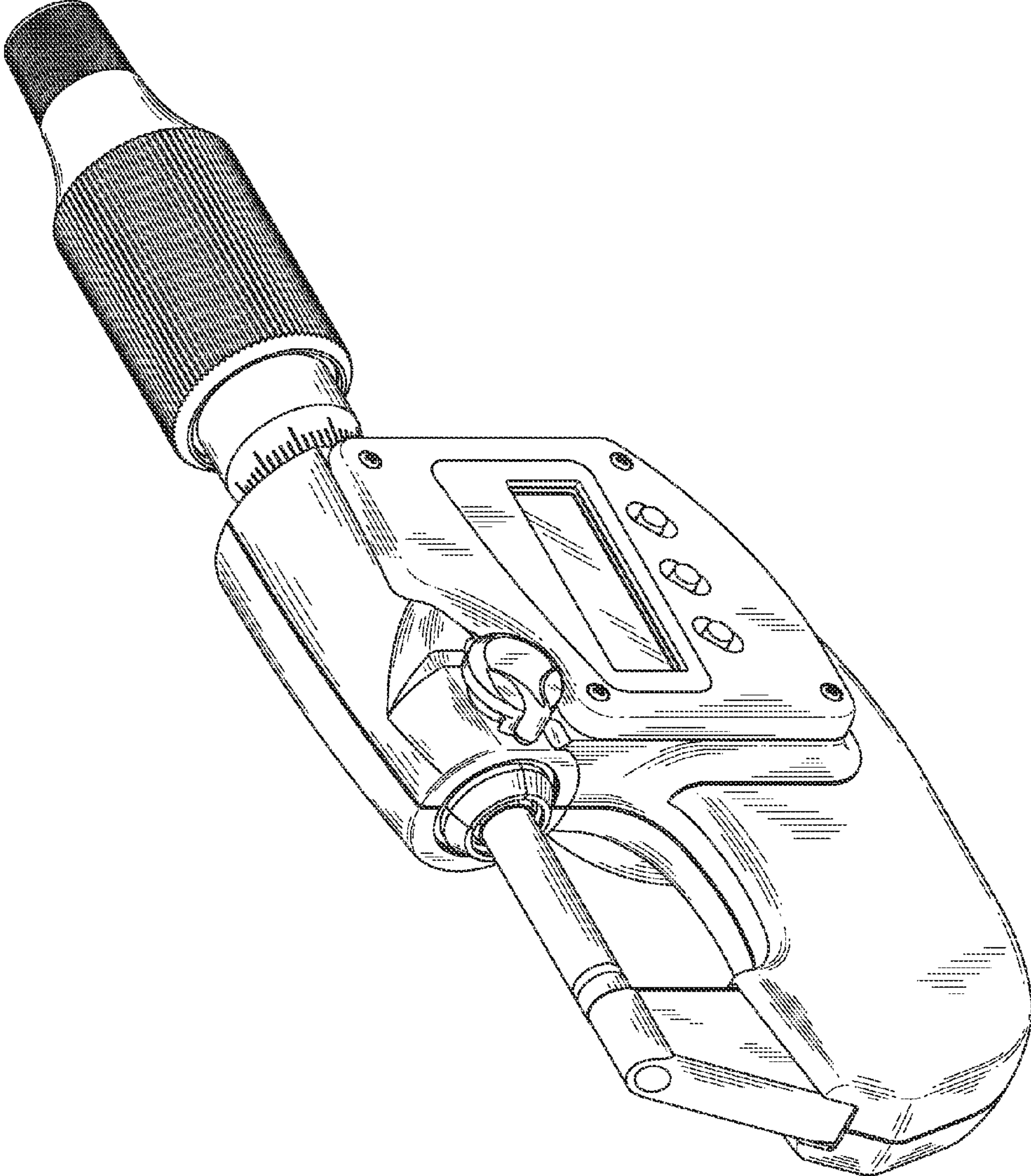




FIG. 2

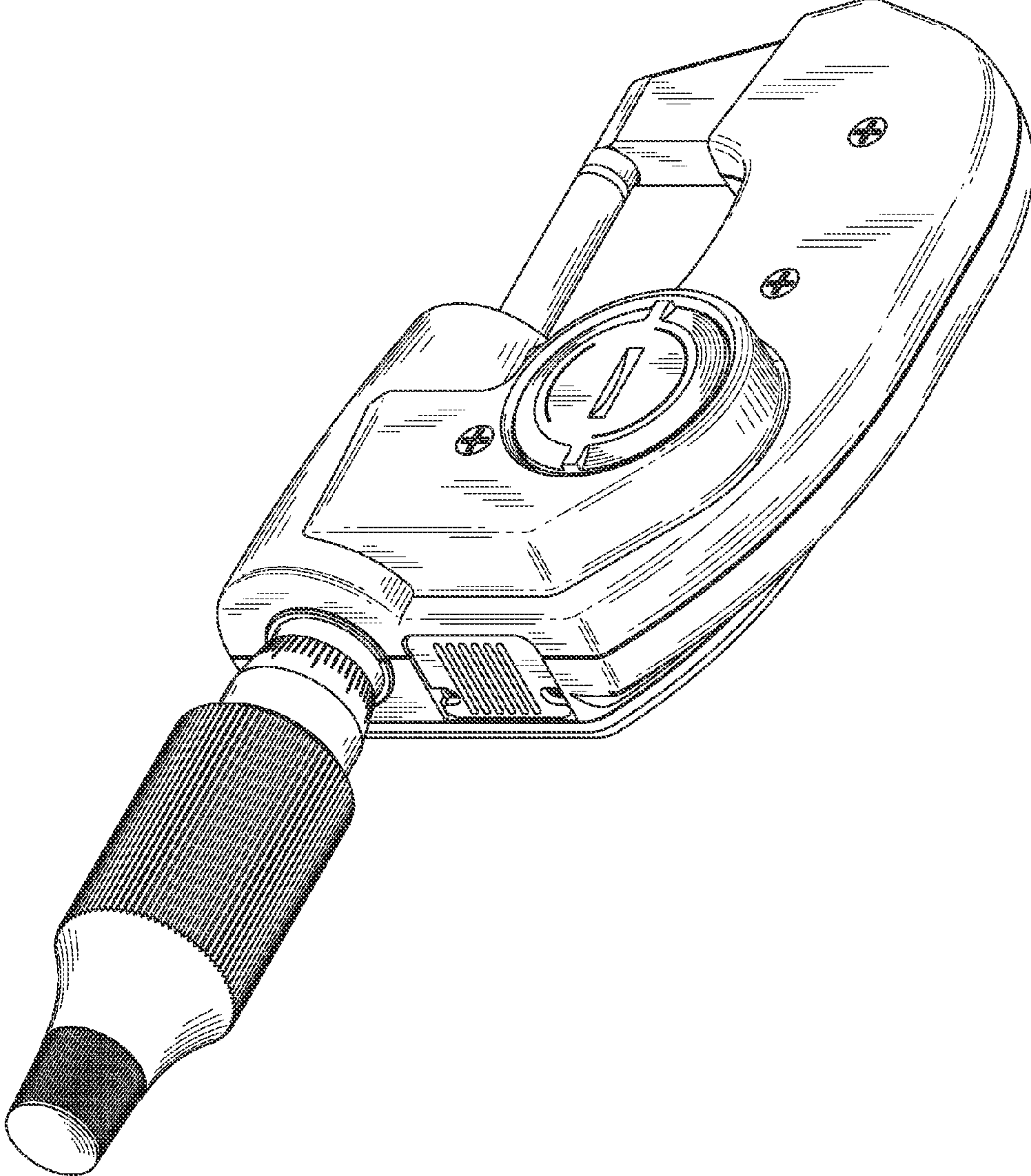


FIG. 3

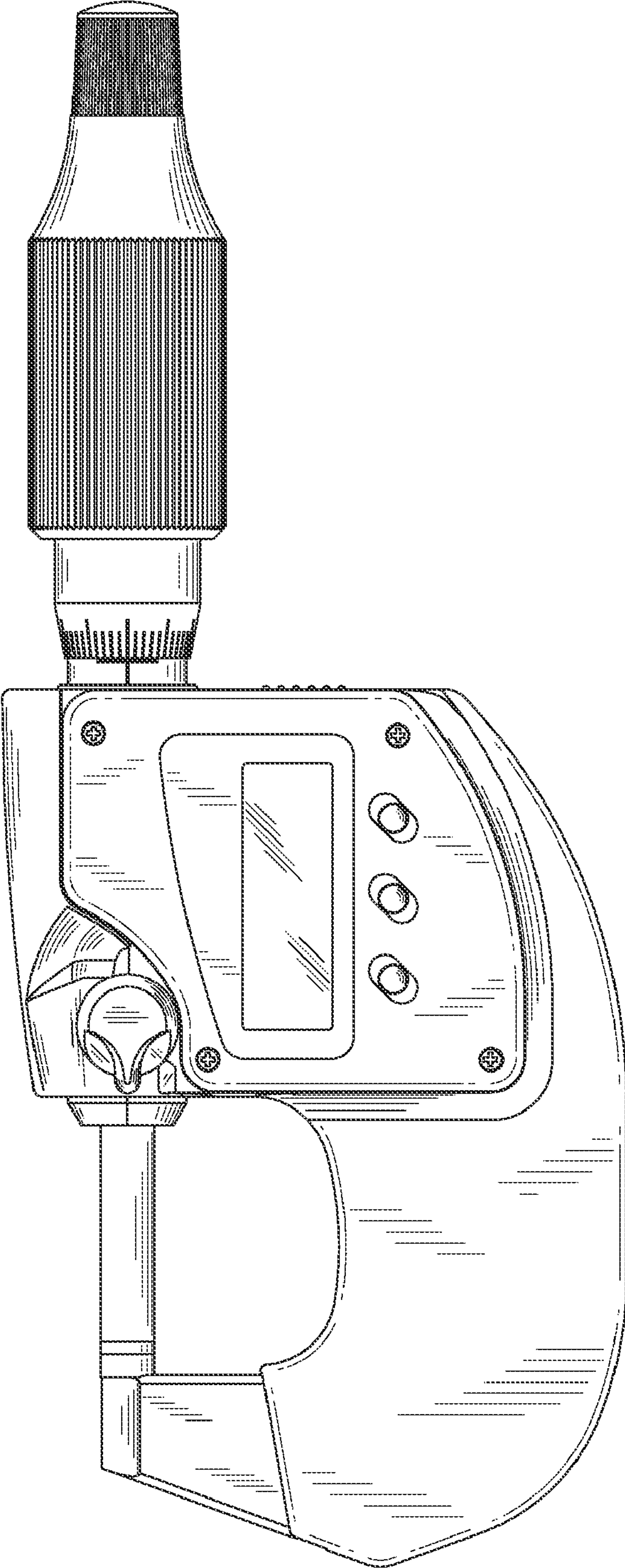


FIG. 4

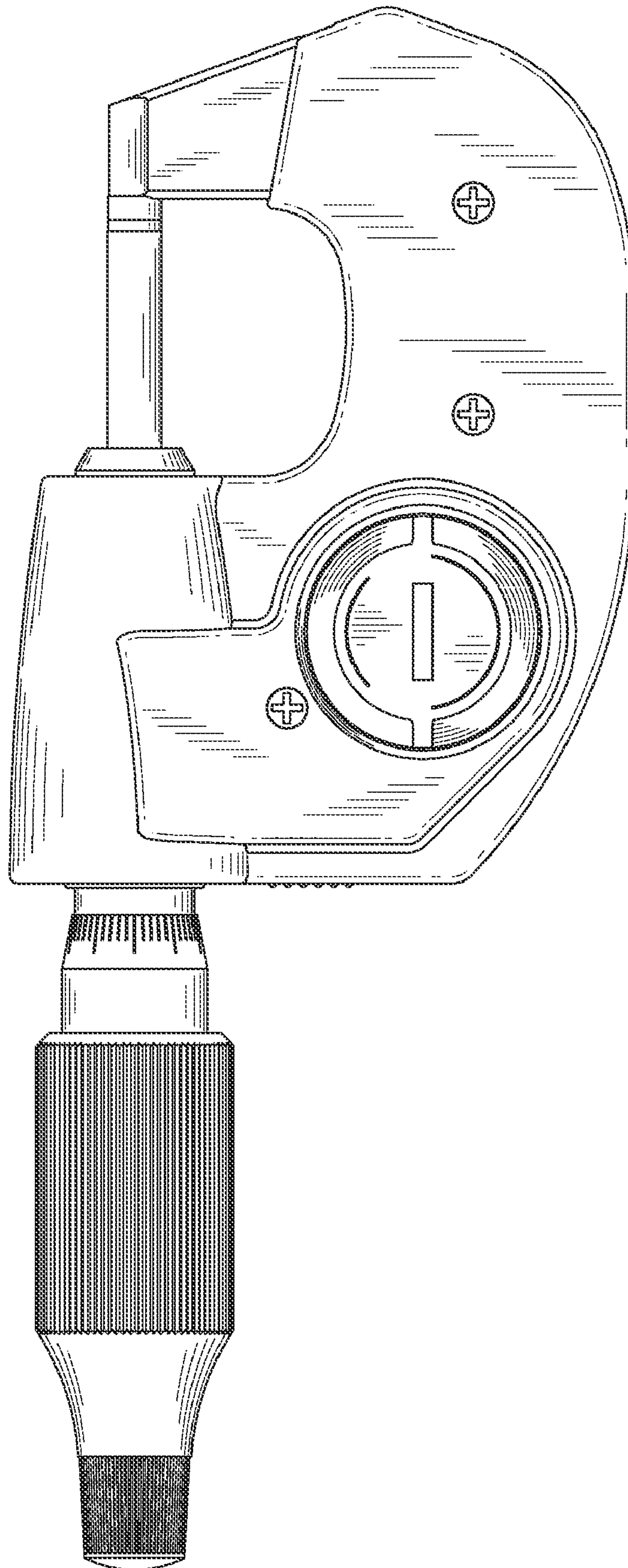


FIG. 5

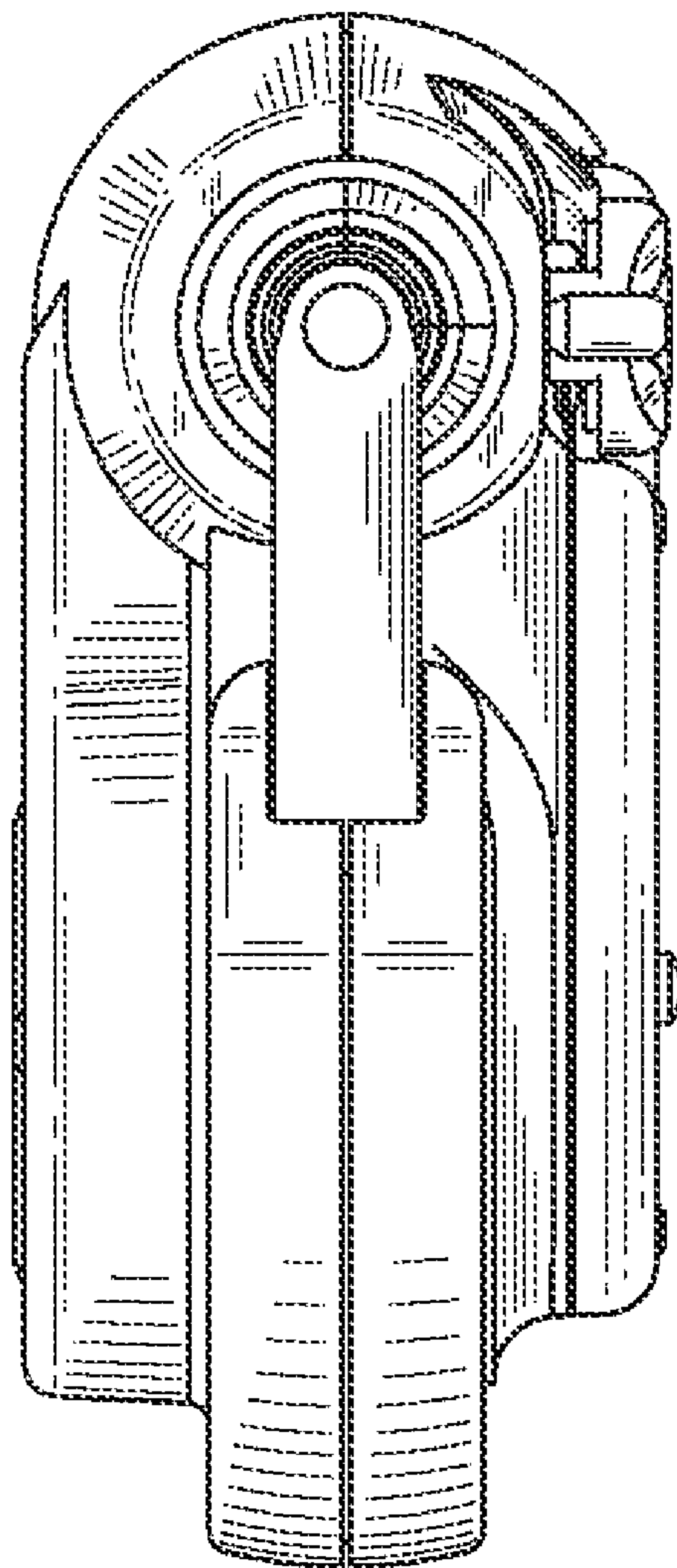




FIG. 6

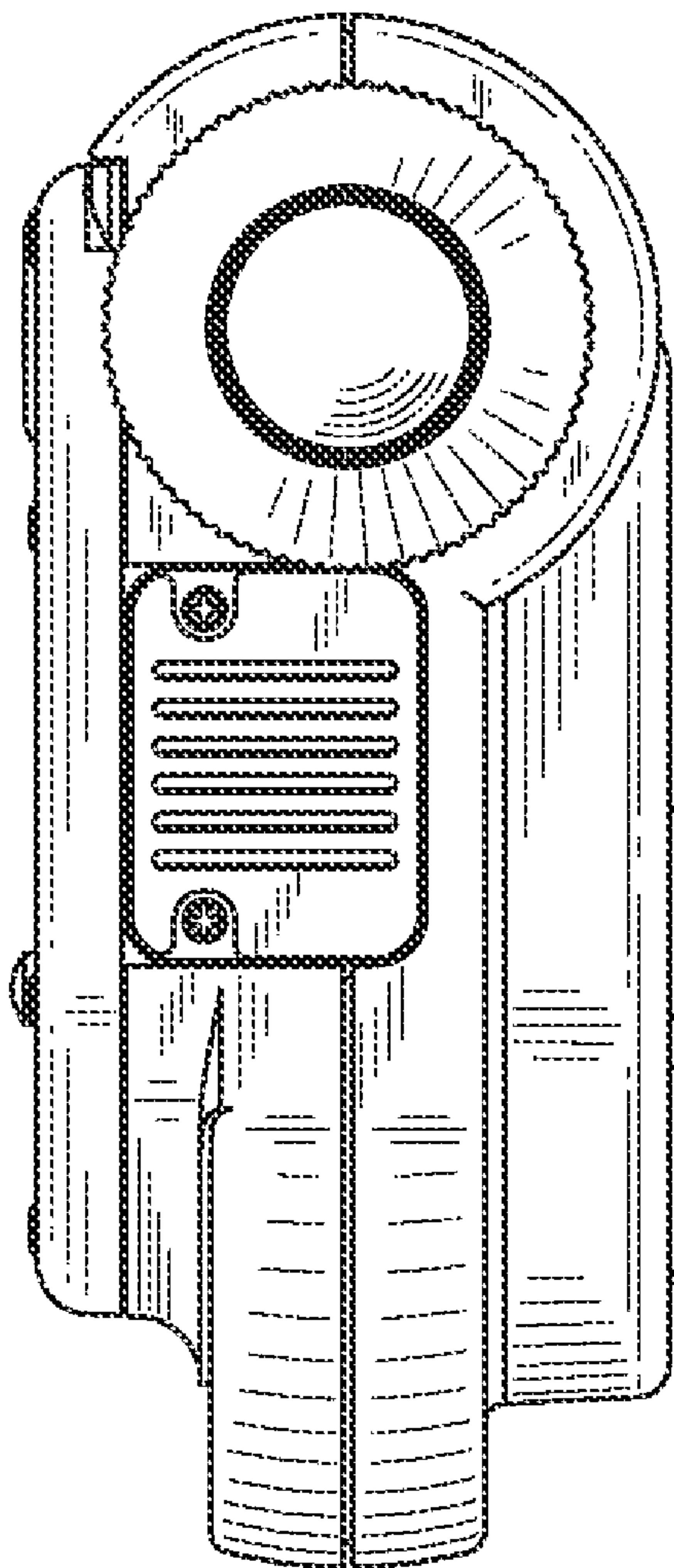


FIG. 7

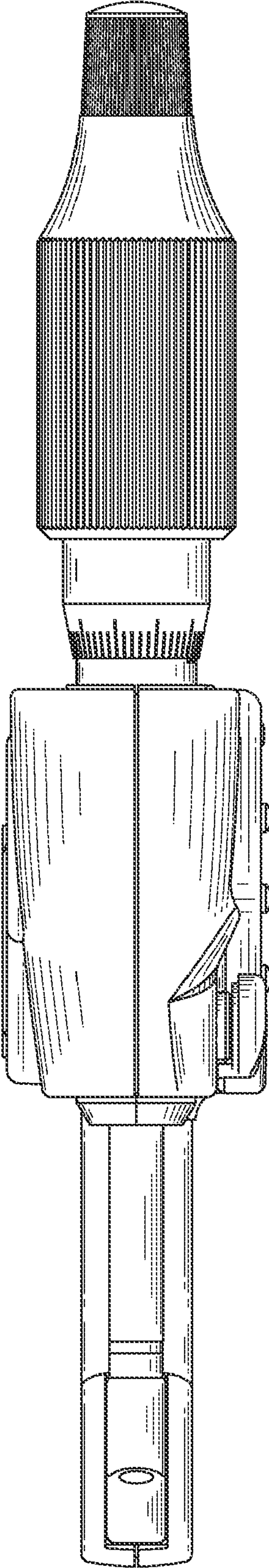




FIG. 8

