



US00D611370S

(12) **United States Design Patent**
Ohtani et al.

(10) **Patent No.:** **US D611,370 S**
(45) **Date of Patent:** **** Mar. 9, 2010**

(54) **CALIPER**

2005/0235516 A1* 10/2005 Penna et al. 33/784

(75) Inventors: **Shigeru Ohtani**, Kawasaki (JP); **Yoshiro Asano**, Tokyo (JP); **Osamu Saito**, Kawasaki (JP); **Kazuyuki Inose**, Kawasaki (JP); **Shuji Hayashida**, Kawasaki (JP)

* cited by examiner

Primary Examiner—Antoine D Davis
(74) *Attorney, Agent, or Firm*—Oliff & Berridge, PLC

(73) Assignee: **Mitutoyo Corporation**, Kawasaki-Shi (JP)

(57) **CLAIM**

We claim the ornamental design for a caliper, as shown and described.

(**) Term: **14 Years**

DESCRIPTION

(21) Appl. No.: **29/341,015**

FIG. 1 is a front perspective view of a caliper.

(22) Filed: **Jul. 29, 2009**

FIG. 2 is a front view thereof.

(30) **Foreign Application Priority Data**

Feb. 4, 2009 (JP) 2009-002316

FIG. 3 is a rear view thereof.

(51) **LOC (9) Cl.** **10-04**

FIG. 4 is a left-side view thereof.

(52) **U.S. Cl.** **D10/73**

FIG. 5 is a right-side view thereof.

(58) **Field of Classification Search** D10/73;
33/783–832, DIG. 12

FIG. 6 is a top view thereof.

See application file for complete search history.

FIG. 7 is a bottom view thereof

(56) **References Cited**

U.S. PATENT DOCUMENTS

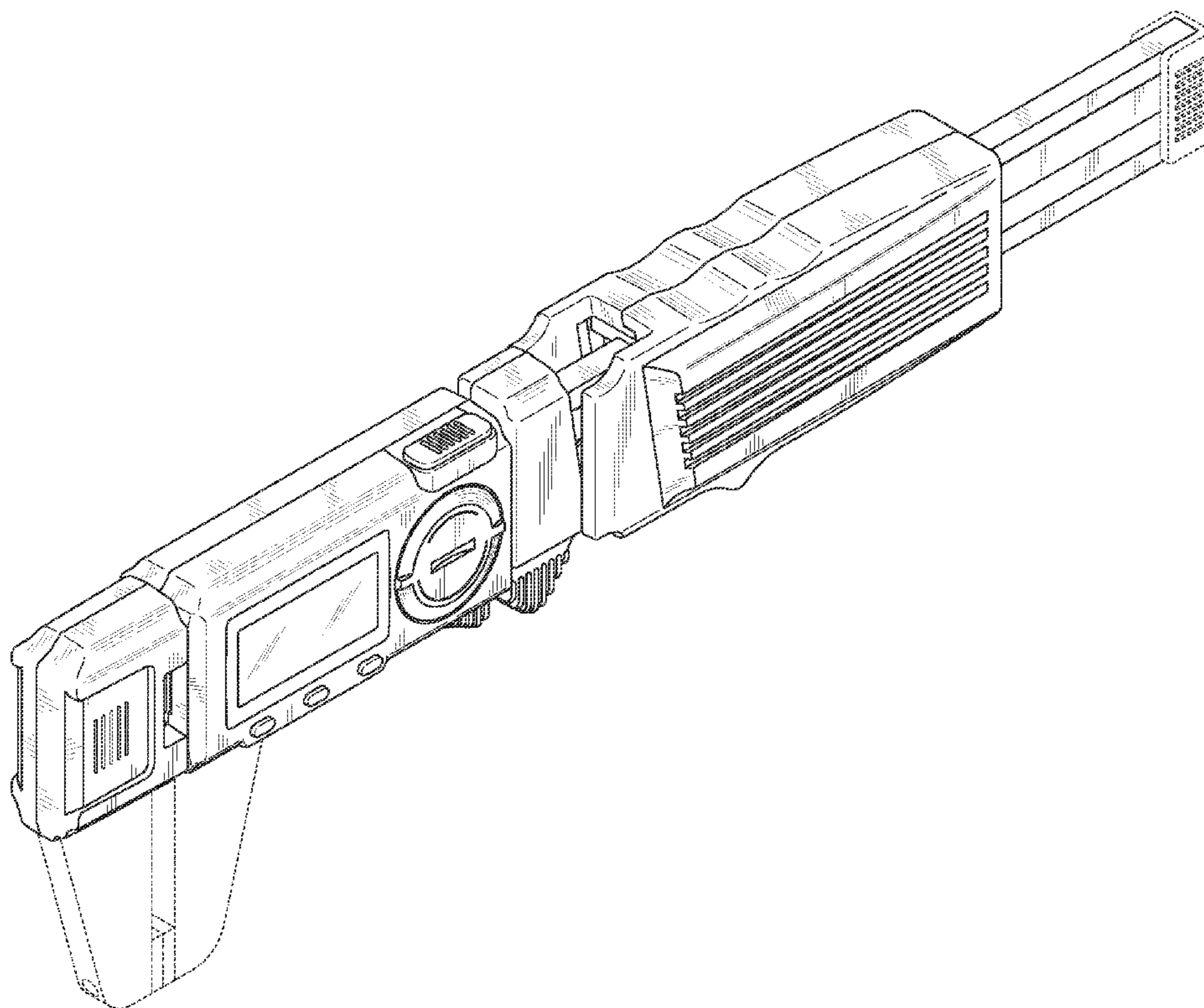
5,056,238 A * 10/1991 Chi 33/810
D344,240 S * 2/1994 Schnyder D10/73

FIG. 8 is another front view showing the caliper with its jaws being opened; and,

FIG. 9 is another rear view showing the caliper with its jaws being opened.

The broken lines depict environmental subject matter only and form no part of the claimed design.

1 Claim, 9 Drawing Sheets



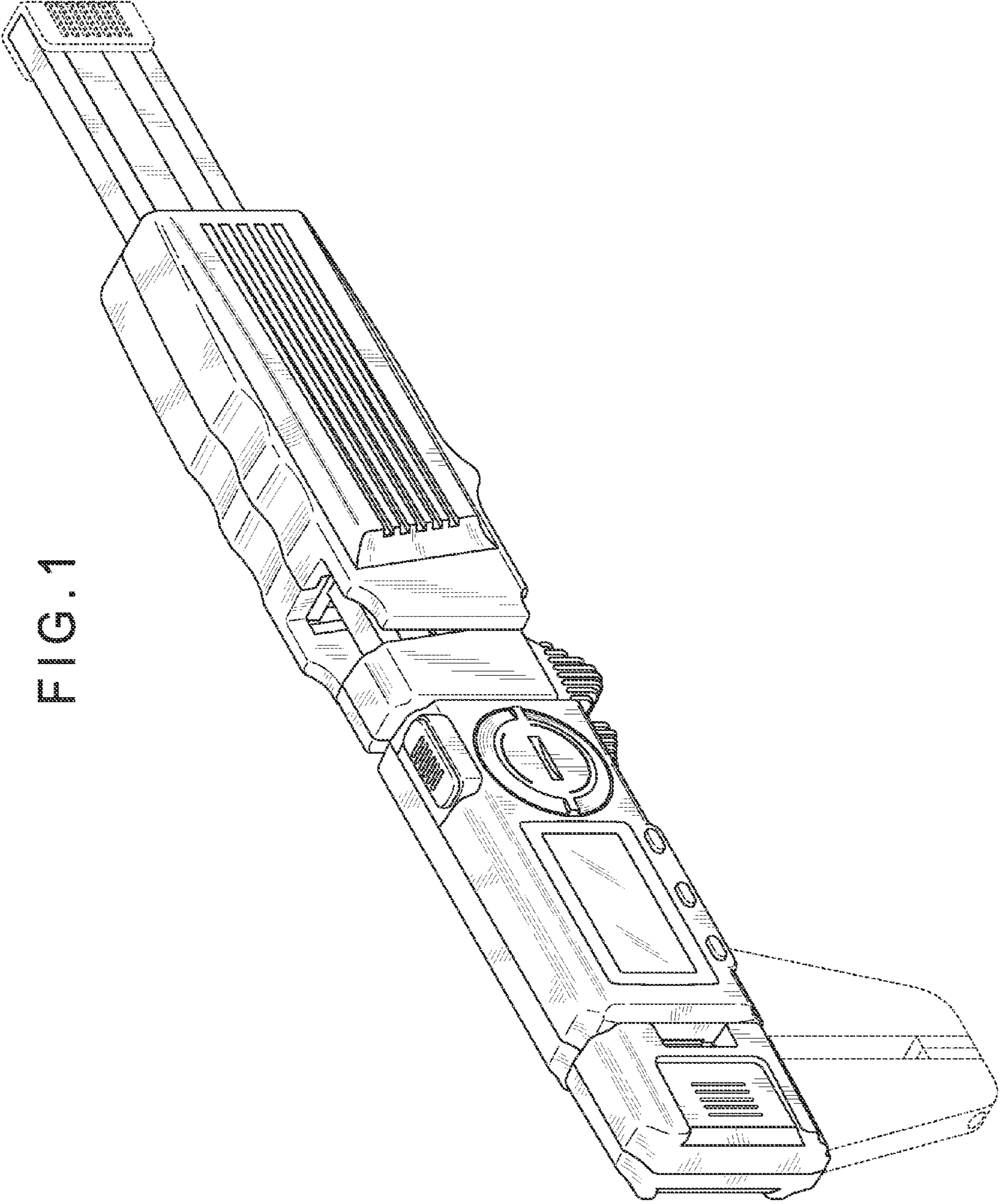


FIG. 1

FIG. 2

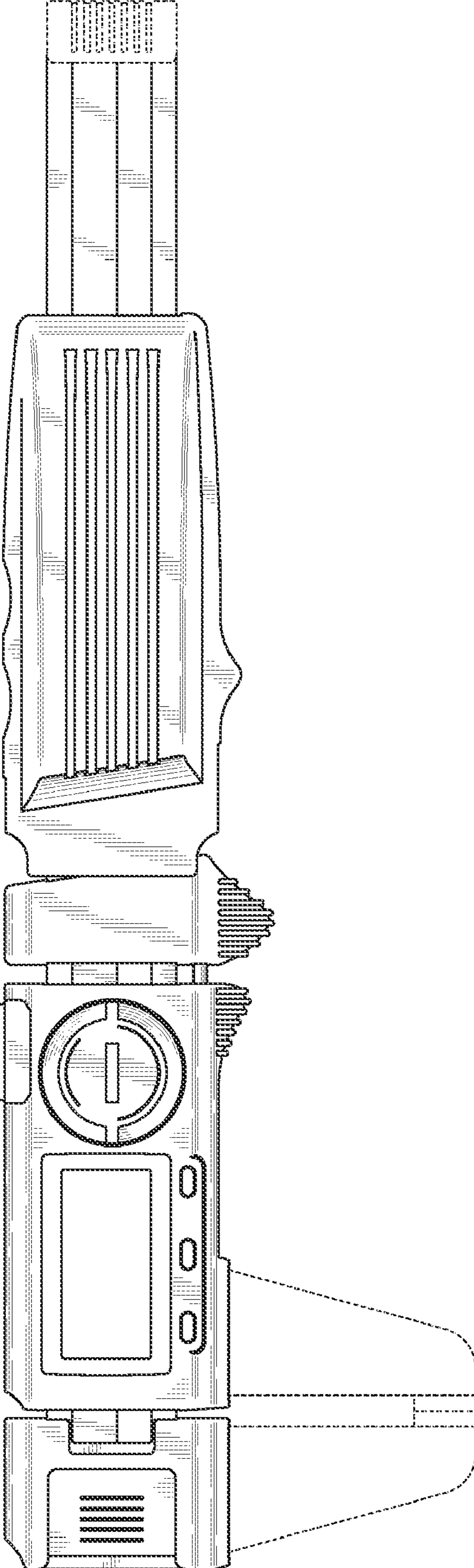


FIG. 3

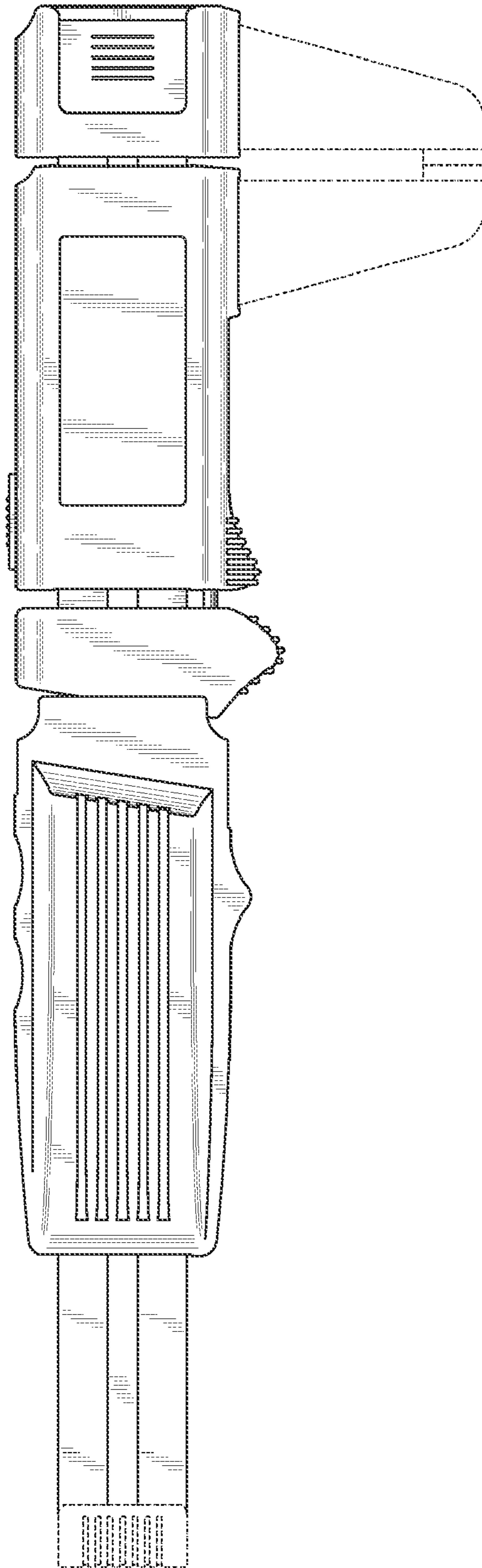


FIG. 4

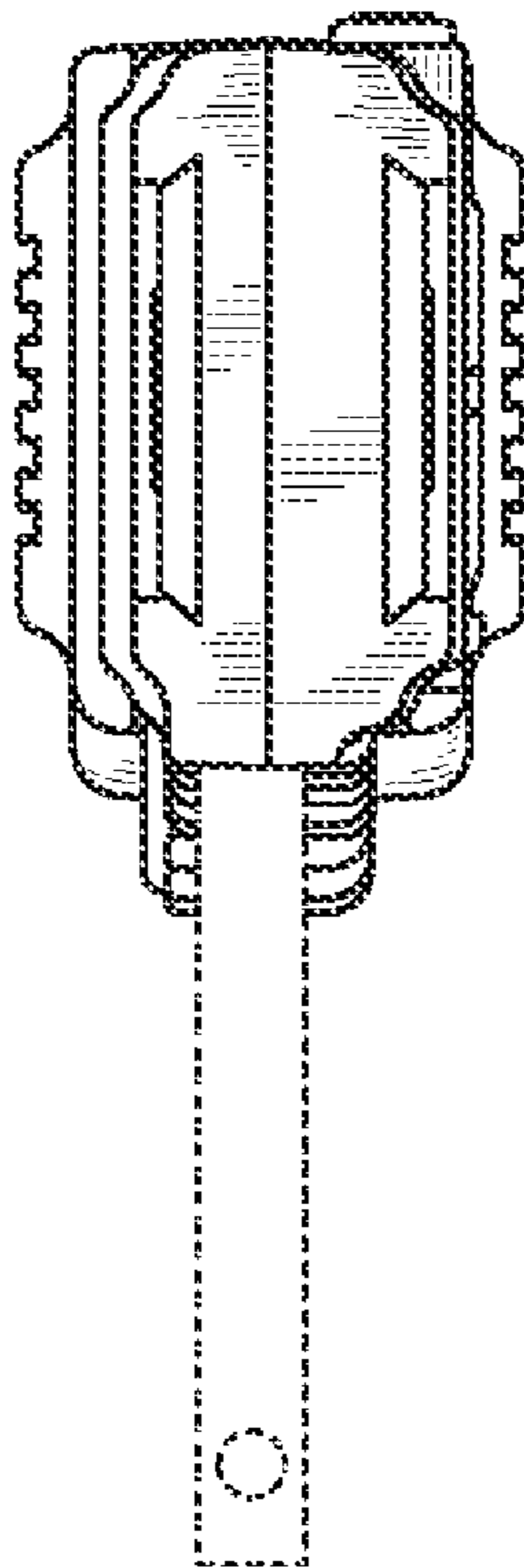


FIG. 5

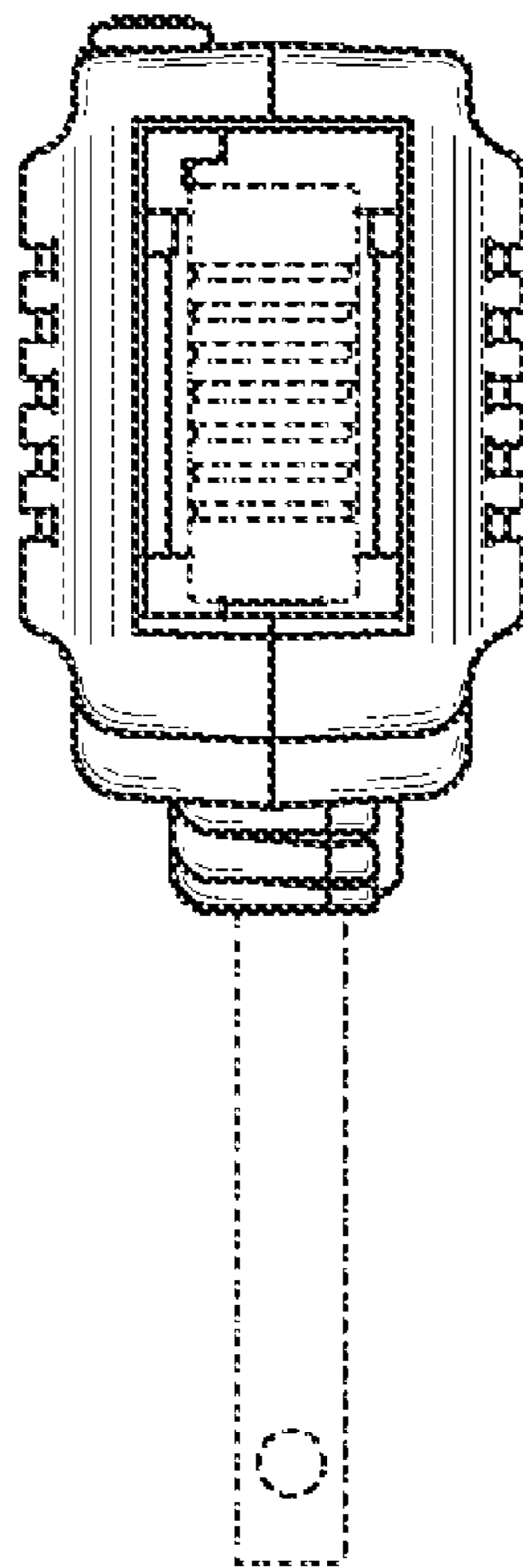


FIG. 6

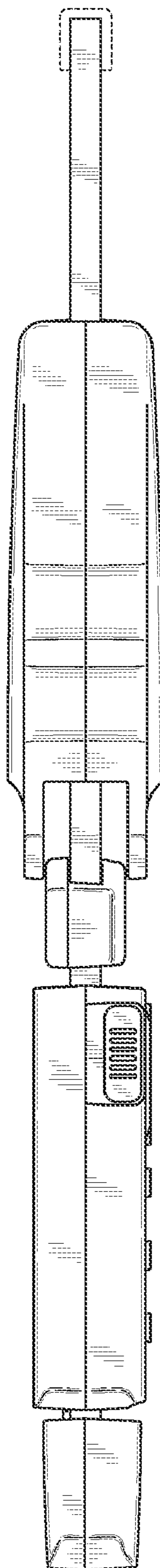


FIG. 7

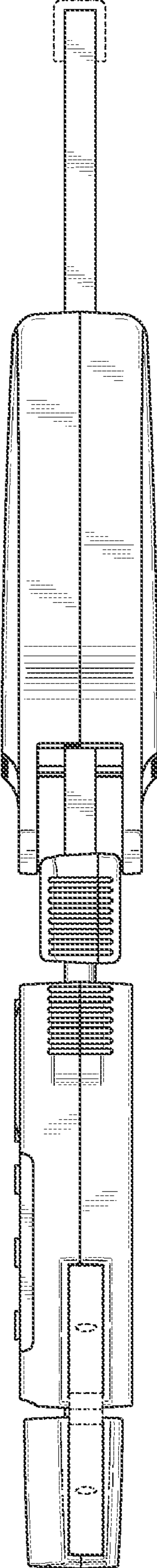


FIG. 8

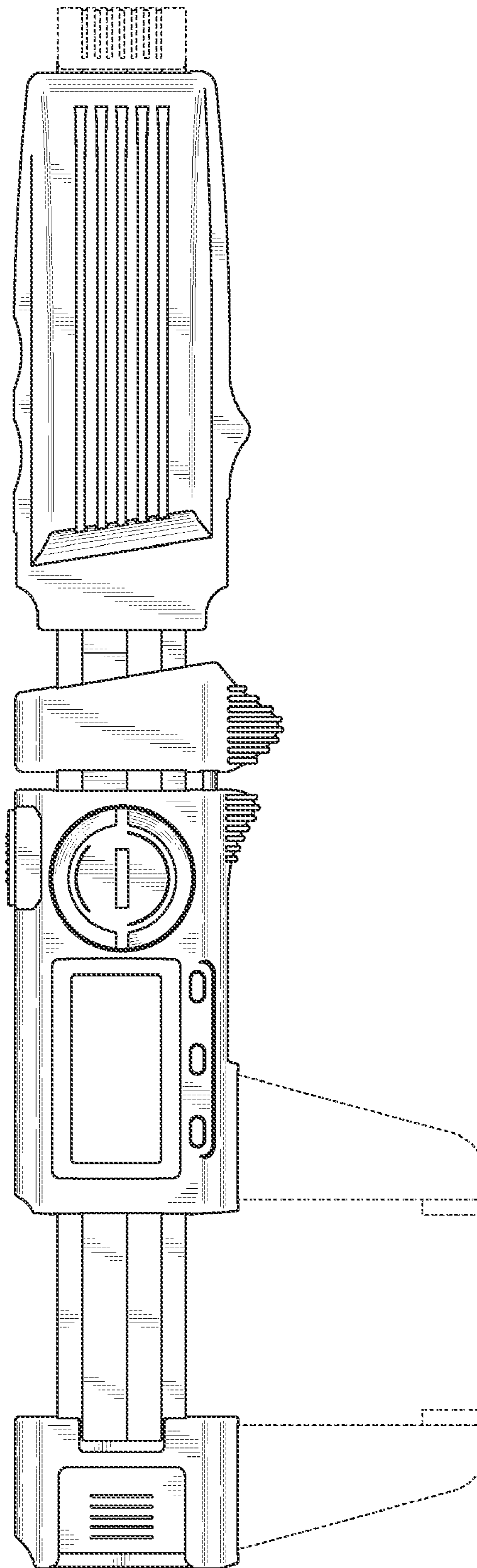


FIG. 9

