



US00D611369S

(12) **United States Design Patent**
Garthoff et al.

(10) **Patent No.:** **US D611,369 S**
(45) **Date of Patent:** **** Mar. 9, 2010**

(54) **HEIGHT MEASURING DEVICE**

(75) Inventors: **Till Garthoff**, Hamburg (DE); **Detlef Rhein**, Hamburg (DE)

(73) Assignee: **SECA AG**, Reinach BL (CH)

(**) Term: **14 Years**

(21) Appl. No.: **29/334,521**

(22) Filed: **Mar. 27, 2009**

(30) **Foreign Application Priority Data**

Sep. 29, 2008 (EM) 001010755

(51) **LOC (9) Cl.** **10-04**

(52) **U.S. Cl.** **D10/70**

(58) **Field of Classification Search** D10/70;
33/492, 493, 511, 512, 515, 532; 600/547
See application file for complete search history.

(56) **References Cited**

U.S. PATENT DOCUMENTS

4,134,213 A * 1/1979 Kushmuk 33/512
4,196,521 A * 4/1980 Hutchinson et al. 33/512
D259,925 S * 7/1981 Palmer D10/71
D290,237 S * 6/1987 Muehlenbein D10/71

D294,333 S * 2/1988 Verde D10/70
D355,860 S * 2/1995 Lund D10/70
5,402,585 A * 4/1995 Lund 33/512
6,003,235 A * 12/1999 Chen 33/512
6,128,824 A * 10/2000 Yang 33/511
6,226,881 B1 * 5/2001 Landauer 33/515

* cited by examiner

Primary Examiner—Antoine D Davis

(74) *Attorney, Agent, or Firm*—Nixon & Vanderhye, P.C.

(57) **CLAIM**

The ornamental design for a “height measuring device,” as shown and described.

DESCRIPTION

FIG. 1 is a top right front perspective view of the height measuring device in accordance with our new design;

FIG. 2 is a right side elevation view thereof;

FIG. 3 is a front elevation view thereof;

FIG. 4 is a left side elevation view thereof;

FIG. 5 is a rear elevation view thereof;

FIG. 6 is a top plan view thereof; and,

FIG. 7 is a bottom plan view thereof.

1 Claim, 3 Drawing Sheets

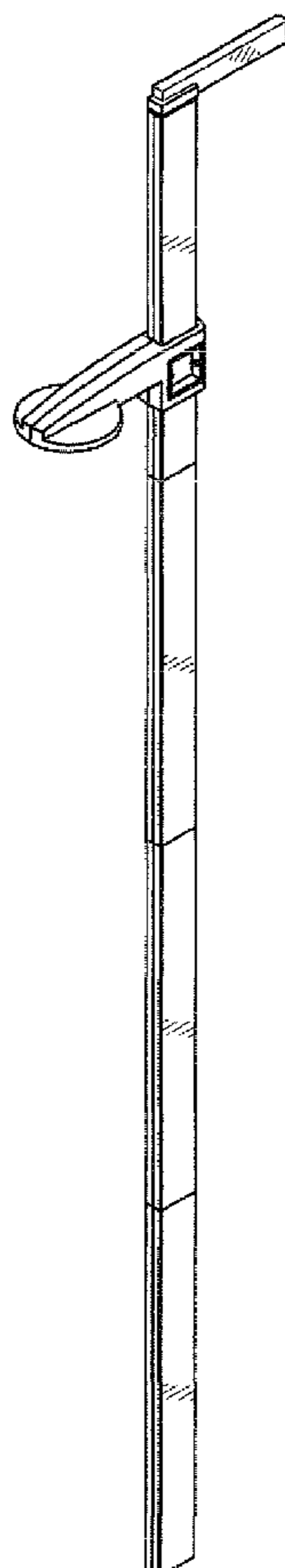


Fig. 1

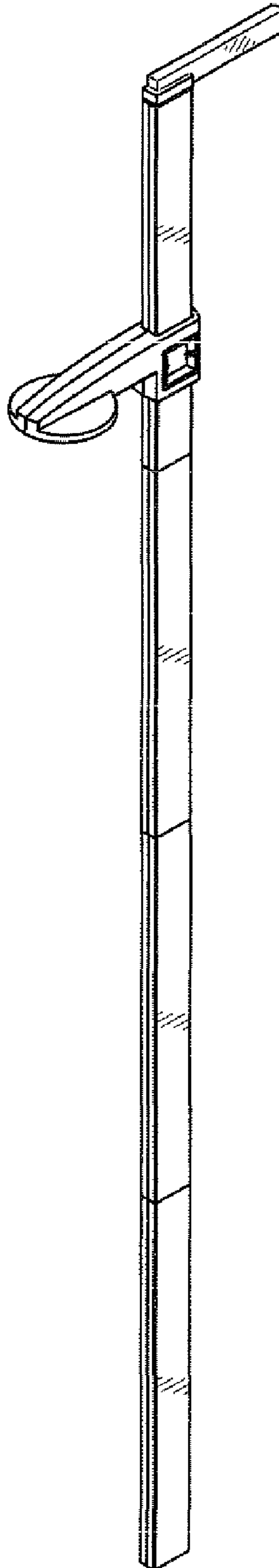


Fig: 2

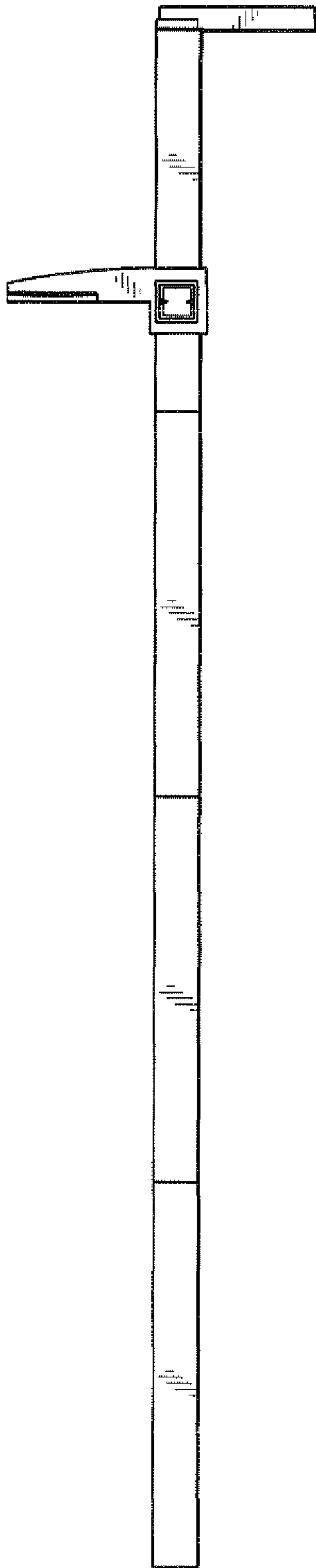


Fig: 3

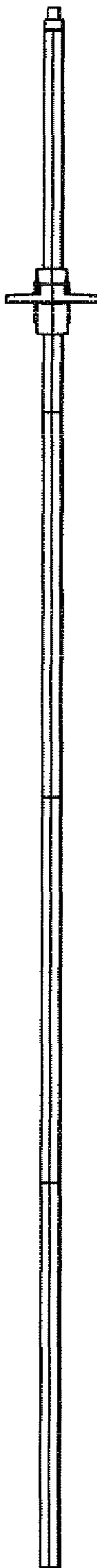


Fig: 4

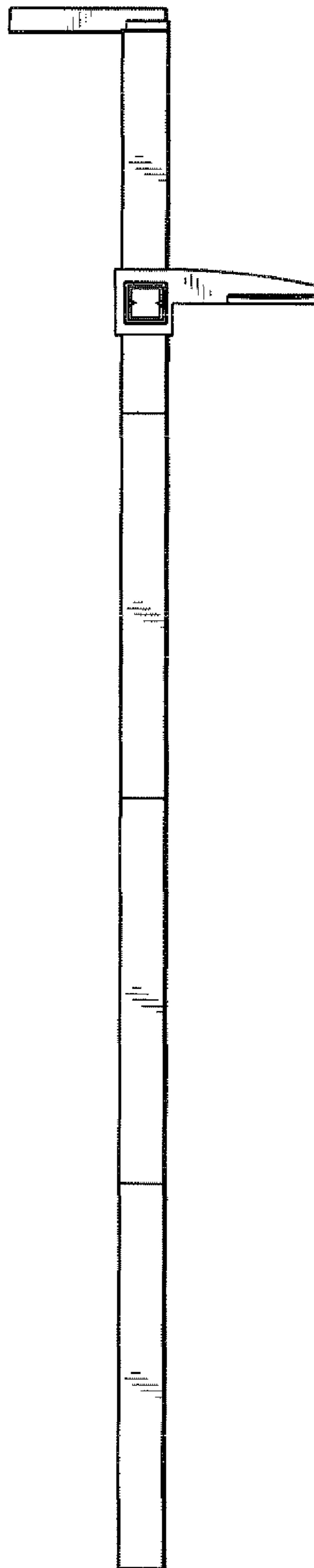


Fig: 5

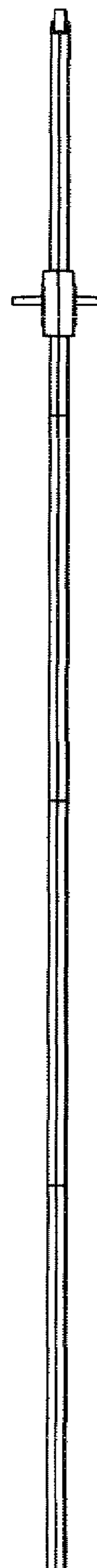


Fig. 6

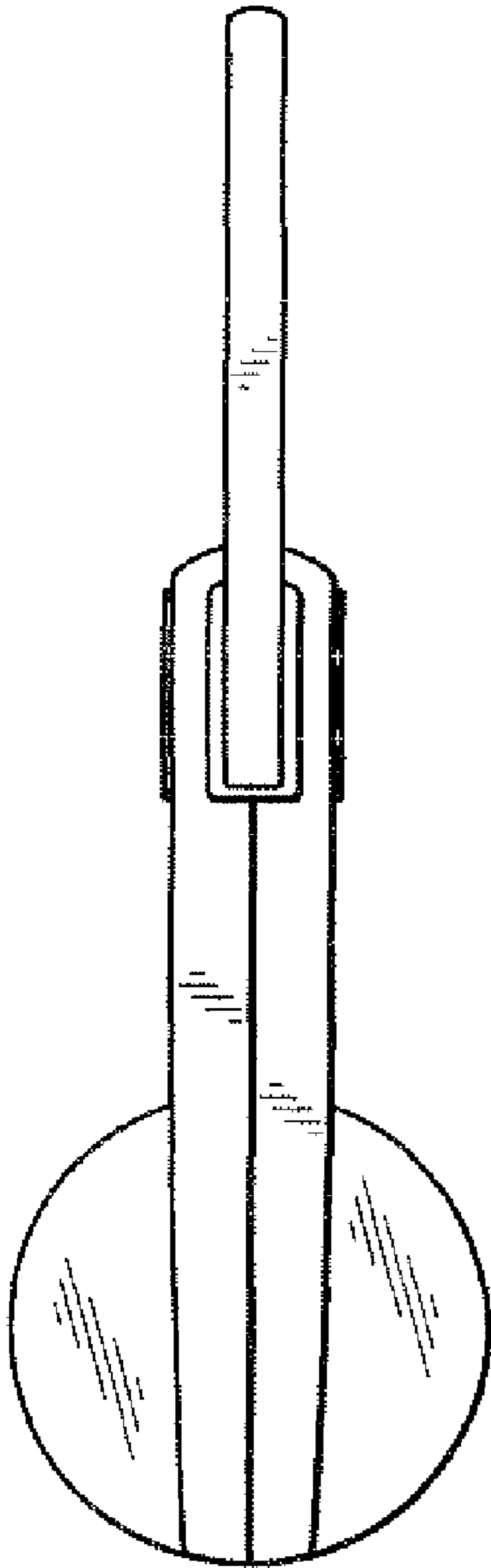


Fig. 7

