



US00D611367S

(12) **United States Design Patent**  
**Wu**

(10) **Patent No.:** **US D611,367 S**  
(45) **Date of Patent:** **\*\* Mar. 9, 2010**

(54) **VEHICLE STEERING WHEEL CENTERING DEVICE**

(76) Inventor: **Pi-Liang Wu**, P.O. Box 55-124,  
Taichung (TW)

(\*\*) Term: **14 Years**

(21) Appl. No.: **29/311,652**

(22) Filed: **May 18, 2009**

(51) **LOC (9) Cl.** ..... **12-16**

(52) **U.S. Cl.** ..... **D10/69; D12/177**

(58) **Field of Classification Search** ..... D12/177,  
D12/175, 174, 400; 33/371, 600; D10/69;  
D8/339, 331, 330, 342, 343; 292/288, 259 R;  
340/542; 70/209, 226, 14, 85; 296/37.6;  
280/727, 748, 770; 49/57

See application file for complete search history.

(56) **References Cited**

**U.S. PATENT DOCUMENTS**

1,612,843	A *	1/1927	Timmis	.....	33/371
3,161,964	A *	12/1964	Myles	.....	33/353
D304,672	S *	11/1989	Pearson	.....	D8/331
D323,997	S *	2/1992	Masters et al.	.....	D10/69
D325,157	S *	4/1992	Chen	.....	D8/331
D333,419	S *	2/1993	McLeod	.....	D8/341

D349,638	S *	8/1994	Gutierrez	.....	D8/331
D398,831	S *	9/1998	Walton	.....	D8/339
D513,963	S *	1/2006	Cuddy	.....	D8/339
D540,150	S *	4/2007	Wilson et al.	.....	D8/339
D574,273	S *	8/2008	Dolin	.....	D10/69
2003/0074934	A1 *	4/2003	Moreton	.....	70/209

\* cited by examiner

*Primary Examiner*—Robert M Spear  
*Assistant Examiner*—Cynthia Underwood

(57) **CLAIM**

The ornamental design for a vehicle steering wheel centering device, as shown and described.

**DESCRIPTION**

FIG. 1 is a perspective view of the design of the present invention;

FIG. 2 is a front elevational view thereof;

FIG. 3 is a rear elevational view thereof;

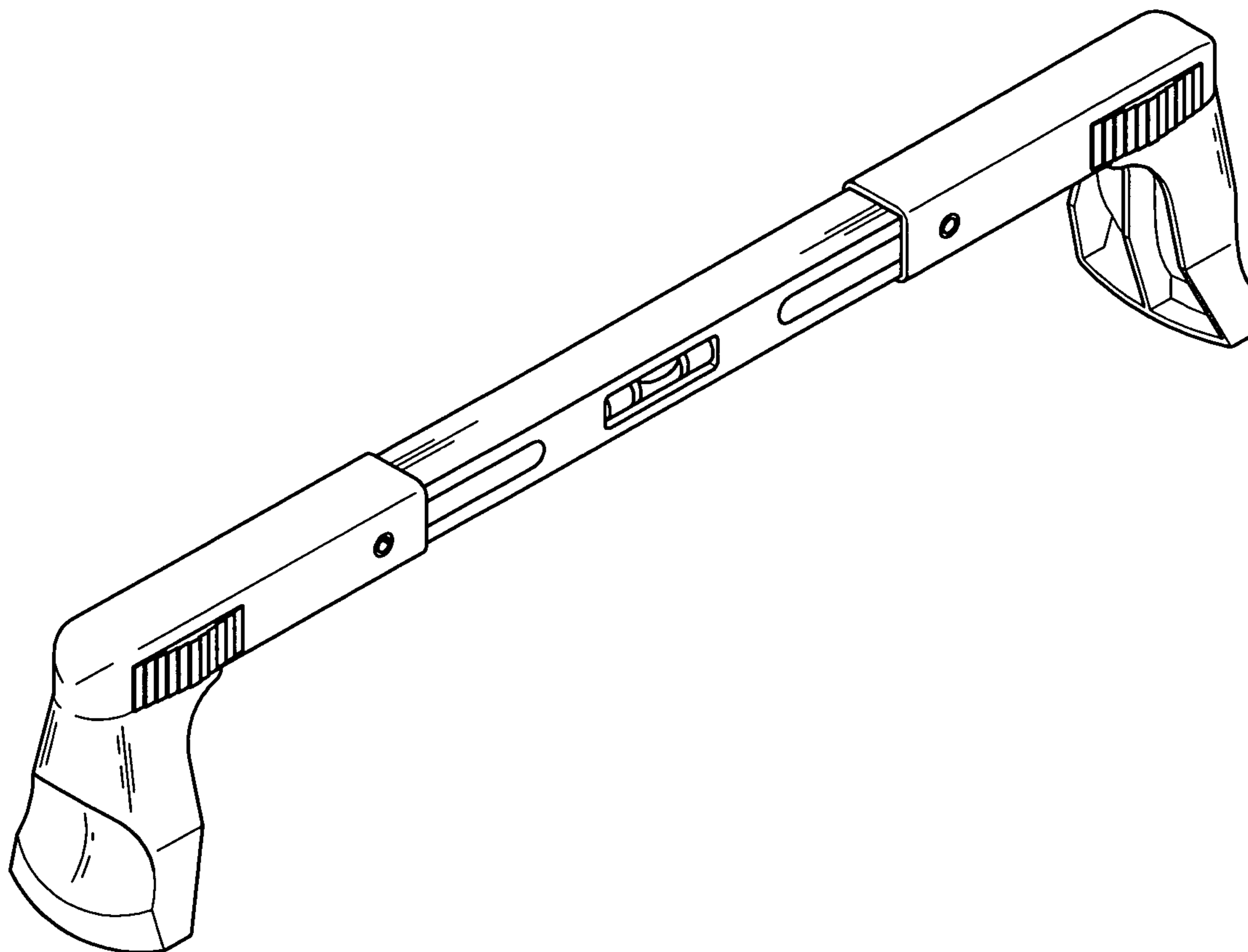
FIG. 4 is a top plan view thereof;

FIG. 5 is a bottom plan view thereof;

FIG. 6 is a left side elevational view thereof; and,

FIG. 7 is a right side elevational view thereof.

**1 Claim, 4 Drawing Sheets**



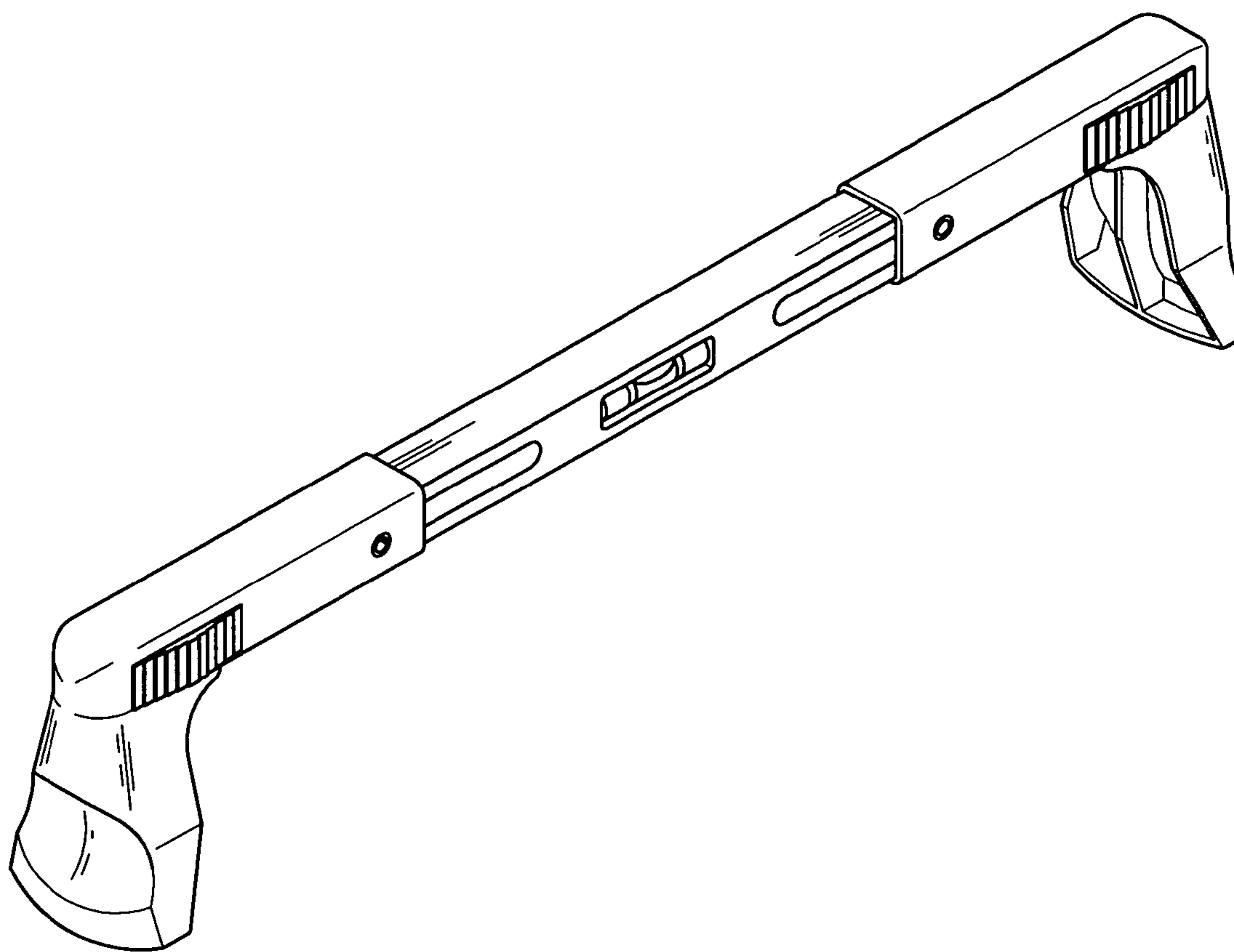


FIG. 1

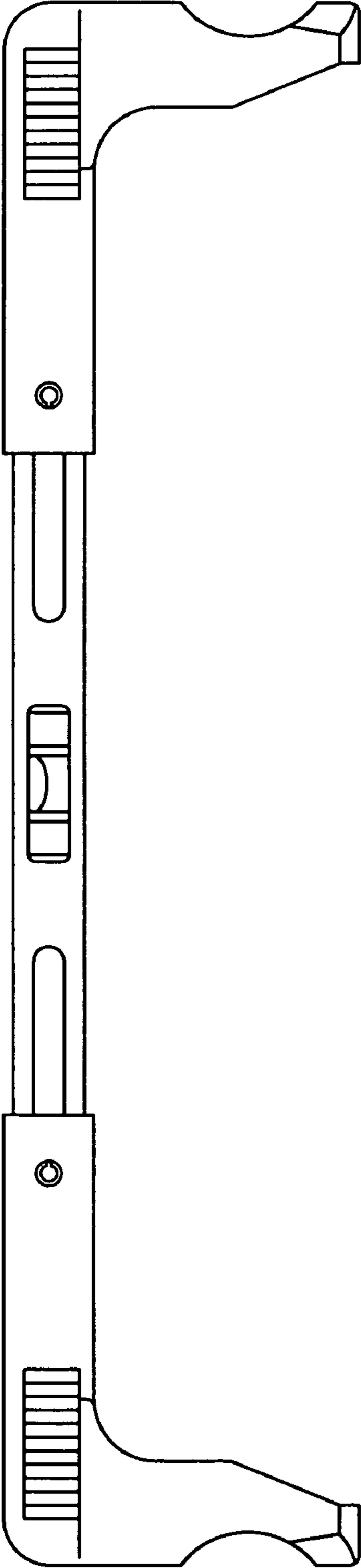


FIG. 2

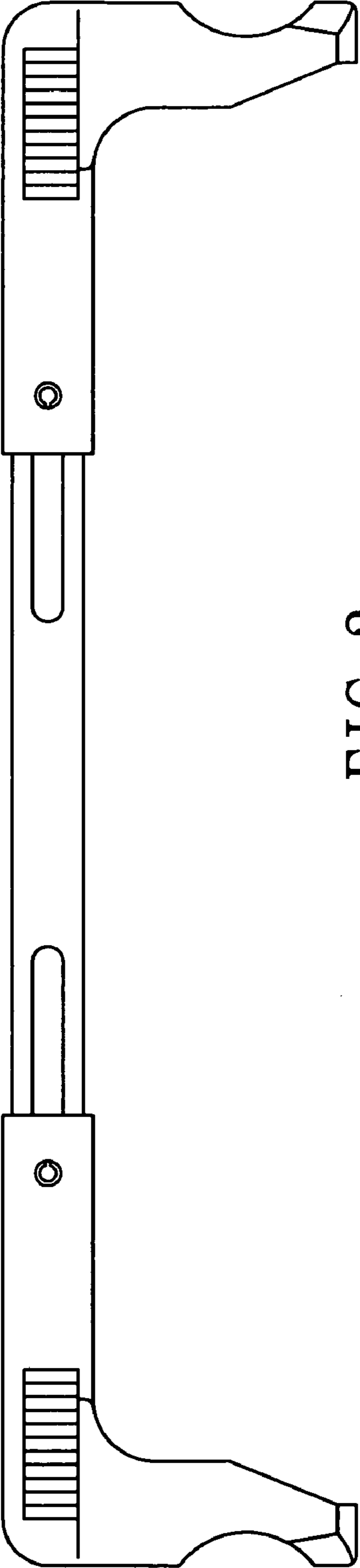


FIG. 3

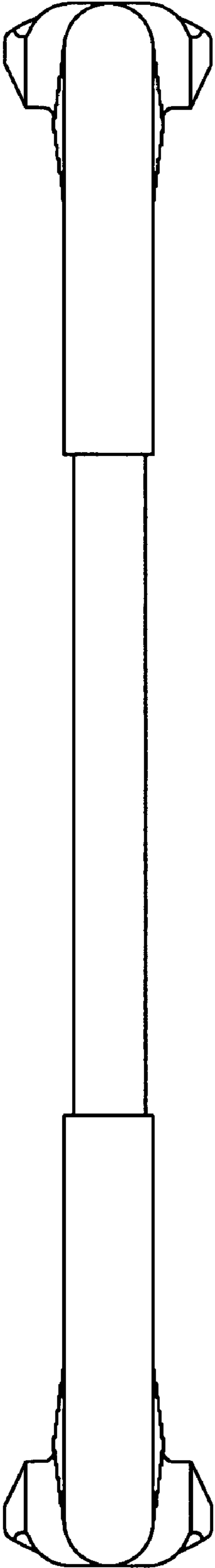


FIG. 4

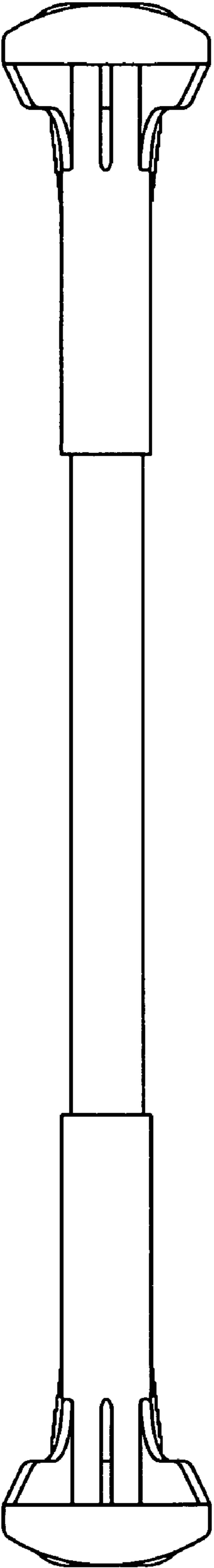


FIG. 5

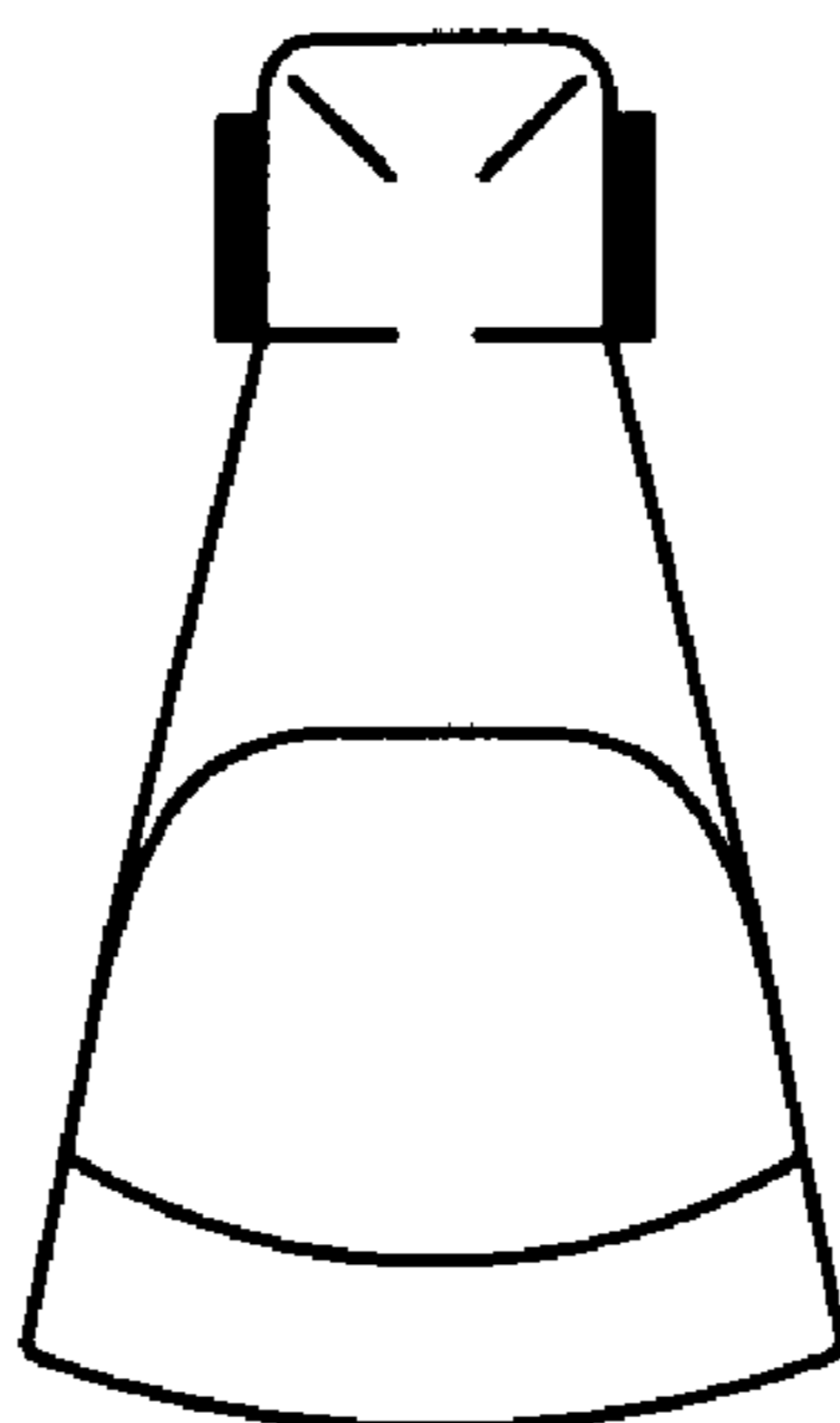


FIG. 6

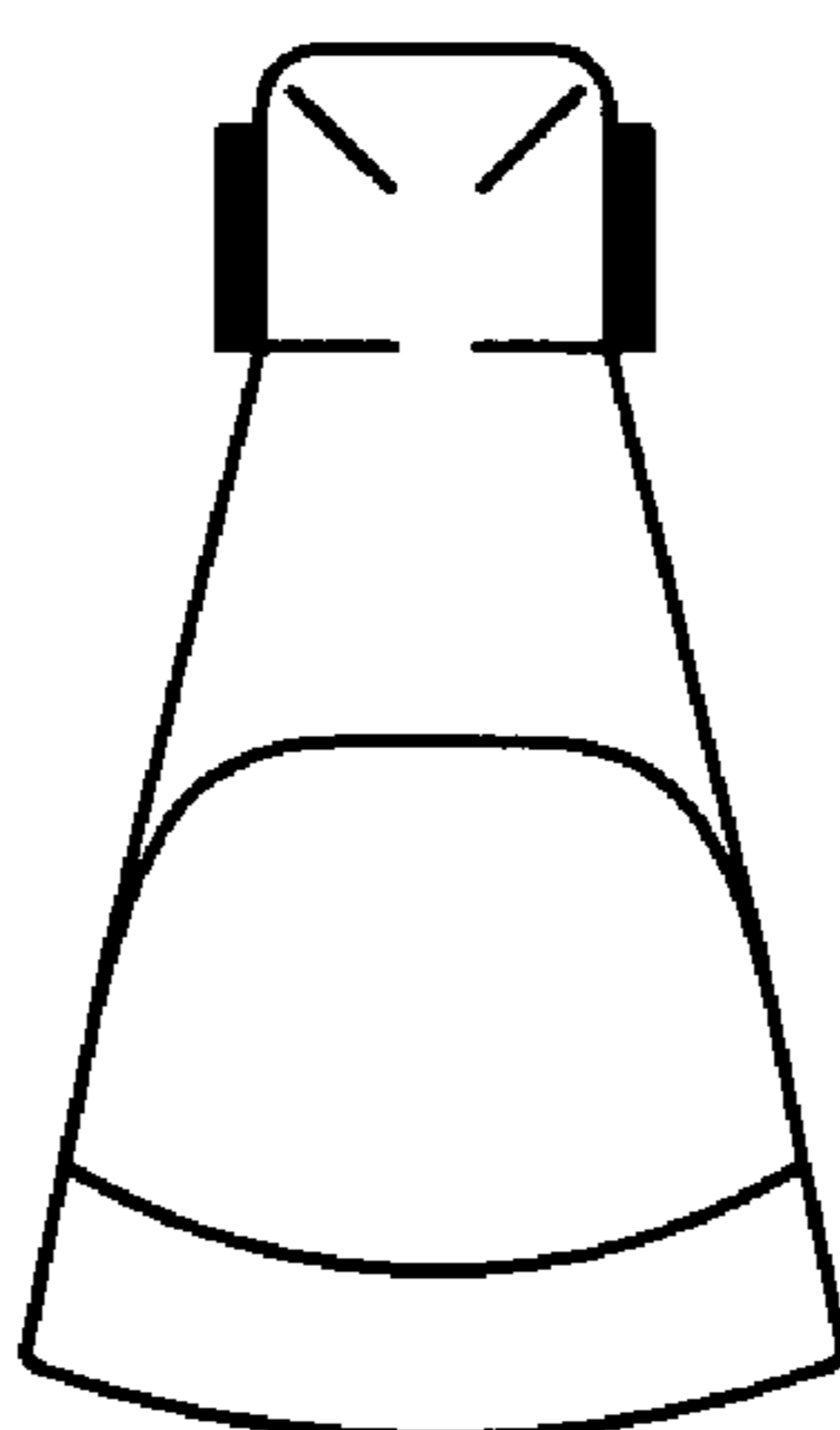


FIG. 7