



US00D611363S

(12) **United States Design Patent**  
**Lenz et al.**

(10) **Patent No.:** **US D611,363 S**

(45) **Date of Patent:** **\*\* \*Mar. 9, 2010**

(54) **NAVIGATION DEVICE**

(75) Inventors: **Derrick D. Lenz**, Olathe, KS (US);  
**Warren R. Stevens**, Olathe, KS (US);  
**Juhee Lee**, Olathe, KS (US); **Kwan Woo Lee**,  
Overland Park, KS (US); **Jeff D. Taylor**,  
Wellsville, KS (US); **Aaron J. Lindh**,  
Overland Park, KS (US)

(73) Assignee: **Garmin Ltd.** (KY)

(\*) Notice: This patent is subject to a terminal disclaimer.

(\*\*) Term: **14 Years**

(21) Appl. No.: **29/332,865**

(22) Filed: **Feb. 26, 2009**

(51) **LOC (9) Cl.** ..... **10-04**

(52) **U.S. Cl.** ..... **D10/65**

(58) **Field of Classification Search** ..... D10/65;  
D14/341, 344, 507, 138 R, 138 AA, 203.3,  
D14/203.4, 203.5, 203.7; 342/386, 351,  
342/419, 457, 357.06–357.13; 343/702;  
345/87, 104, 133, 156, 168, 173, 901–905;  
348/180, 184, 315, 739; 364/444, 499; 701/206–209,  
701/213, 214  
See application file for complete search history.

(56) **References Cited**

**U.S. PATENT DOCUMENTS**

D541,186 S	4/2007	Lammers-Meis et al. ....	D10/65
D543,875 S	6/2007	Skelton et al. ....	D10/65
D543,876 S *	6/2007	Kalis et al. ....	D10/65
D544,381 S *	6/2007	Lammers-Meis et al. ....	D10/65
D549,603 S	8/2007	Lammers-Meis et al. ....	D10/74

D563,804 S *	3/2008	Kimura et al. ....	D10/65
D565,978 S	4/2008	Stevens et al. ....	D10/65
D566,588 S *	4/2008	Stevens et al. ....	D10/65
D571,234 S	6/2008	Reeson et al. ....	D10/65
D571,235 S	6/2008	Stevens et al. ....	D10/65
D573,044 S *	7/2008	Kalis et al. ....	D10/65
D574,271 S *	8/2008	Stevens et al. ....	D10/65

(Continued)

**OTHER PUBLICATIONS**

U.S. Appl. No. 29/303,881, filed Jul. 2, 2008.

(Continued)

*Primary Examiner*—Antoine D Davis

(74) *Attorney, Agent, or Firm*—Samuel M. Korte

(57) **CLAIM**

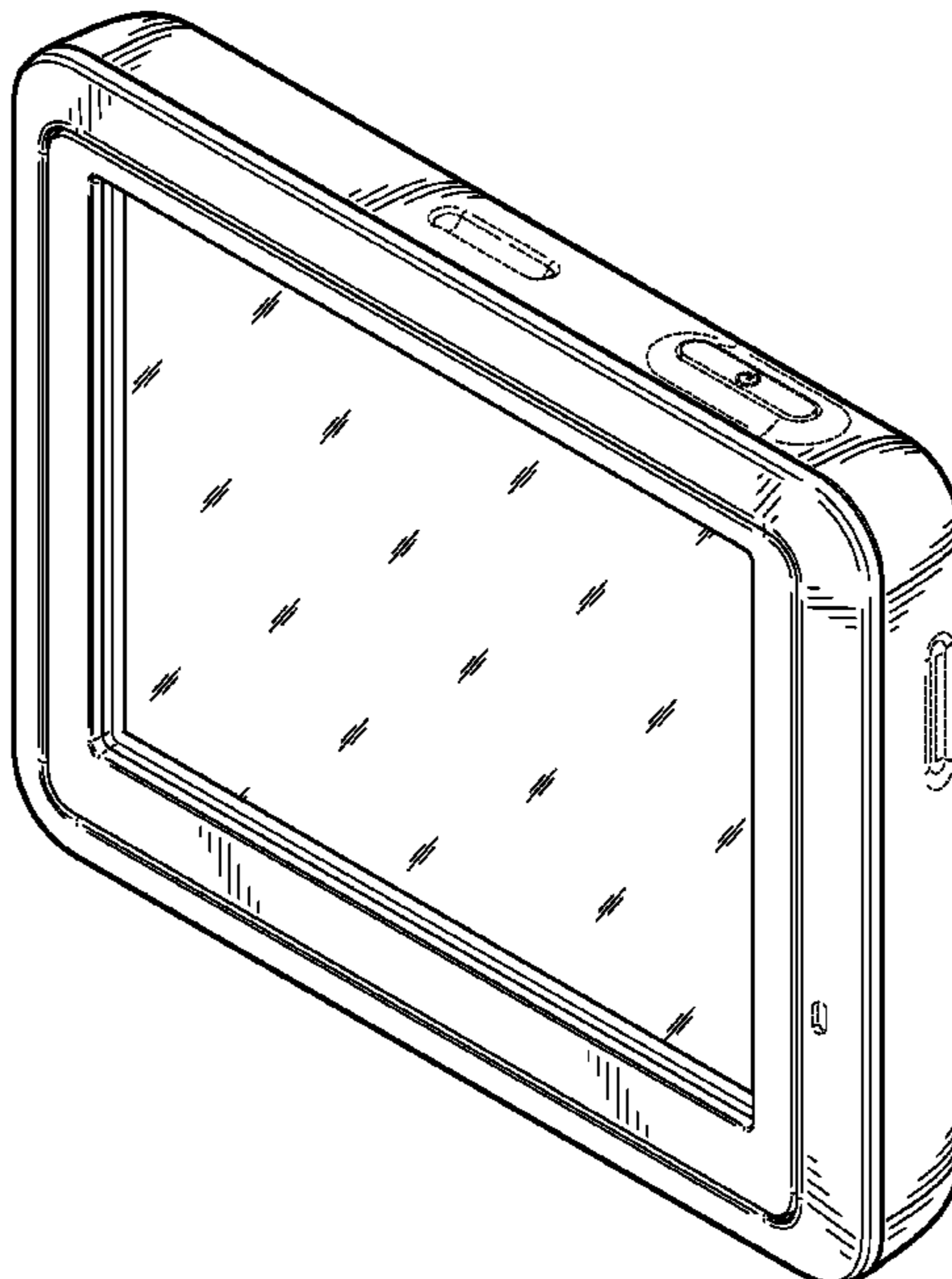
The ornamental design for a navigation device, as shown and described.

**DESCRIPTION**

FIG. 1 is a front perspective view of a navigation device according to embodiments of the present invention;  
FIG. 2 is a rear perspective view of the navigation device;  
FIG. 3 is a top view of the navigation device;  
FIG. 4 is a front view of the navigation device;  
FIG. 5 is a rear view of the navigation device;  
FIG. 6 is a bottom view of the navigation device;  
FIG. 7 is a left side view of the navigation device; and,  
FIG. 8 is a right side view of the navigation device.

Portions of FIGS. 1 through 8 are shown in dashed lines for illustrative purposes only and form no part of the claimed design.

**1 Claim, 5 Drawing Sheets**



# US D611,363 S

Page 2

---

## U.S. PATENT DOCUMENTS

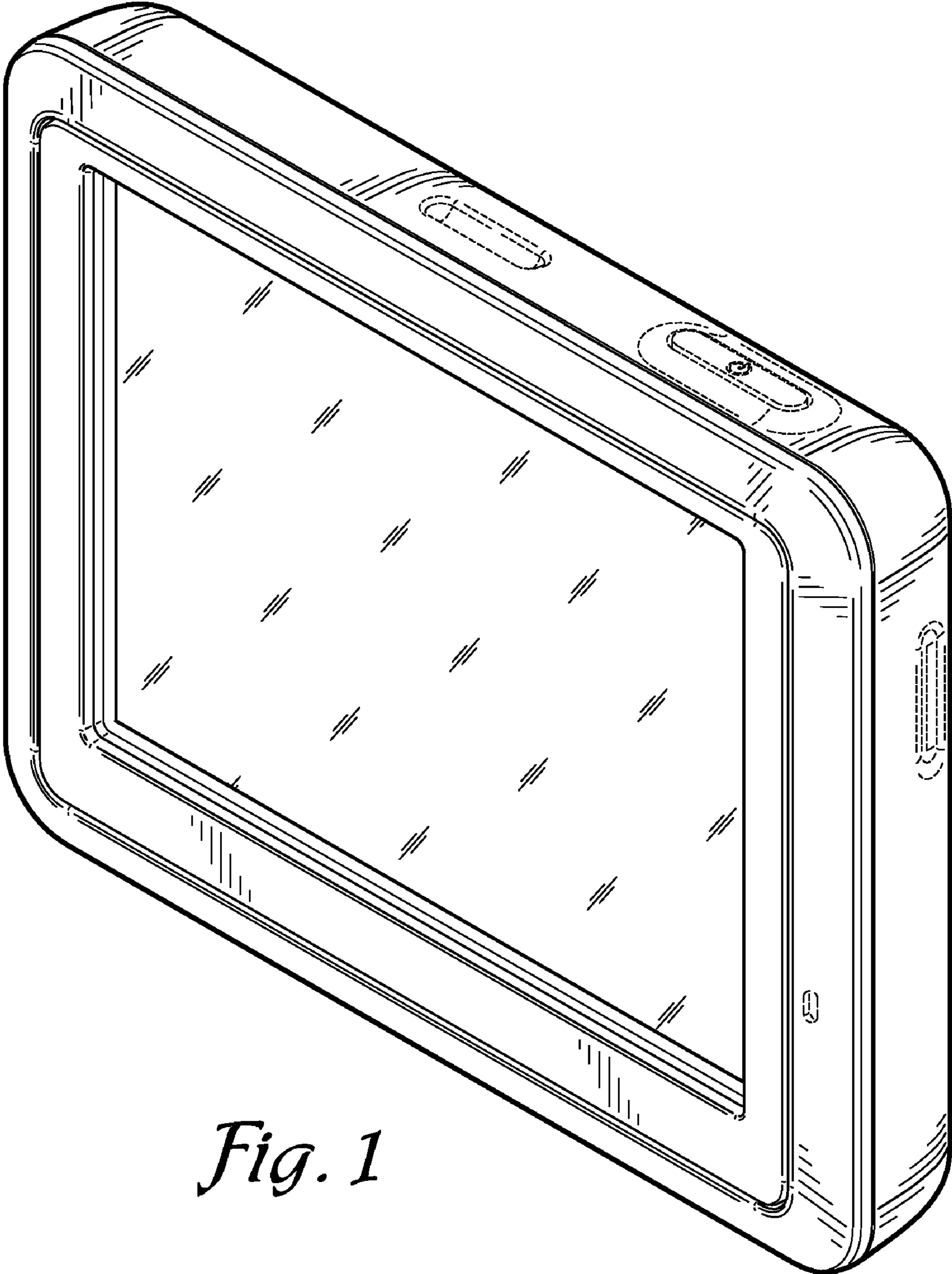
D577,298 S 9/2008 Reeson et al. .... D10/65  
D579,801 S \* 11/2008 Tan ..... D10/65  
D580,803 S \* 11/2008 Whittaker ..... D10/65  
D585,778 S \* 2/2009 Weinschenk ..... D10/65  
7,538,723 B2 \* 5/2009 Davis et al. .... 342/357.06

D595,898 S \* 7/2009 Syran et al. .... D10/65

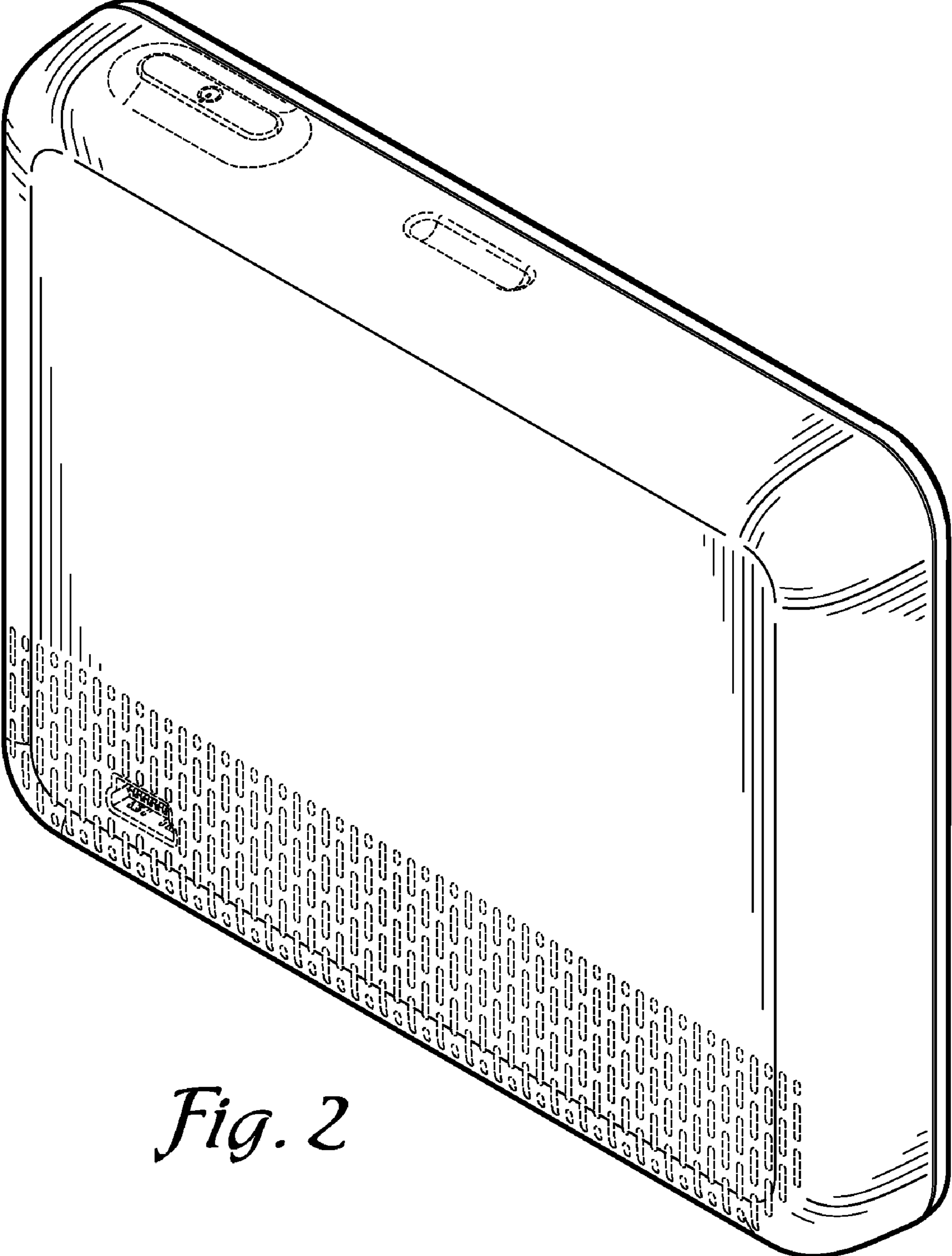
## OTHER PUBLICATIONS

U.S. Appl. No. 29/303,980, filed Jul. 2, 2008.  
U.S. Appl. No. 29/327,119, filed Sep. 30, 2008.  
U.S. Appl. No. 29/332,867, filed Feb. 26, 2009.

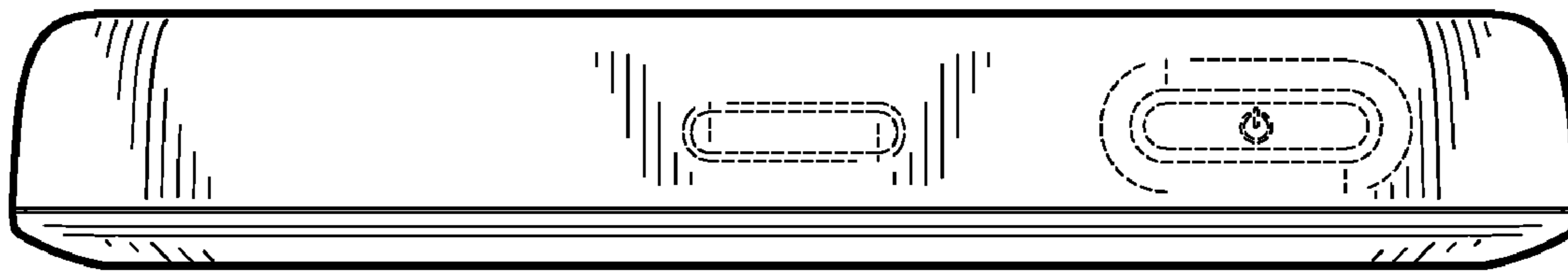
\* cited by examiner



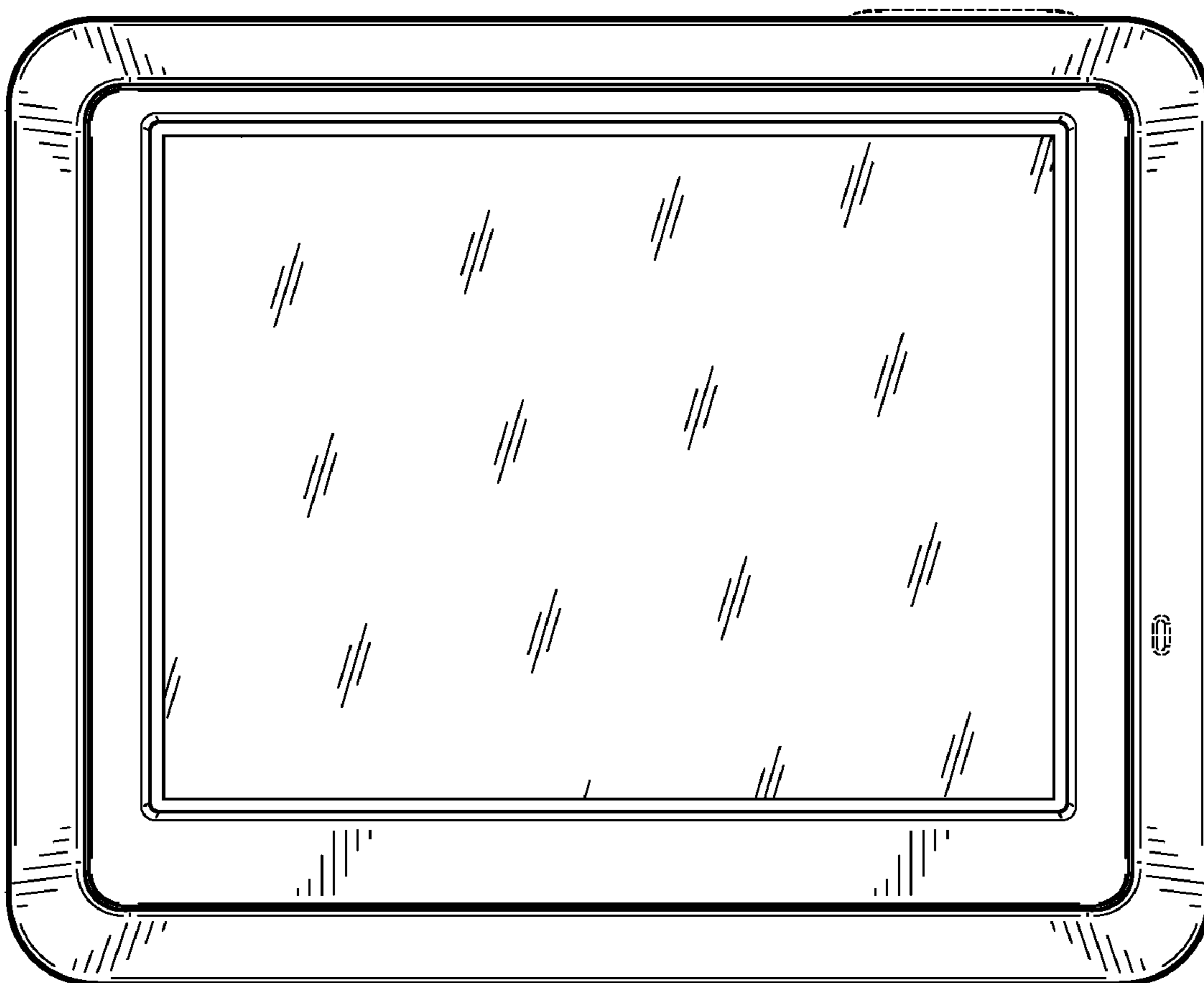
*Fig. 1*



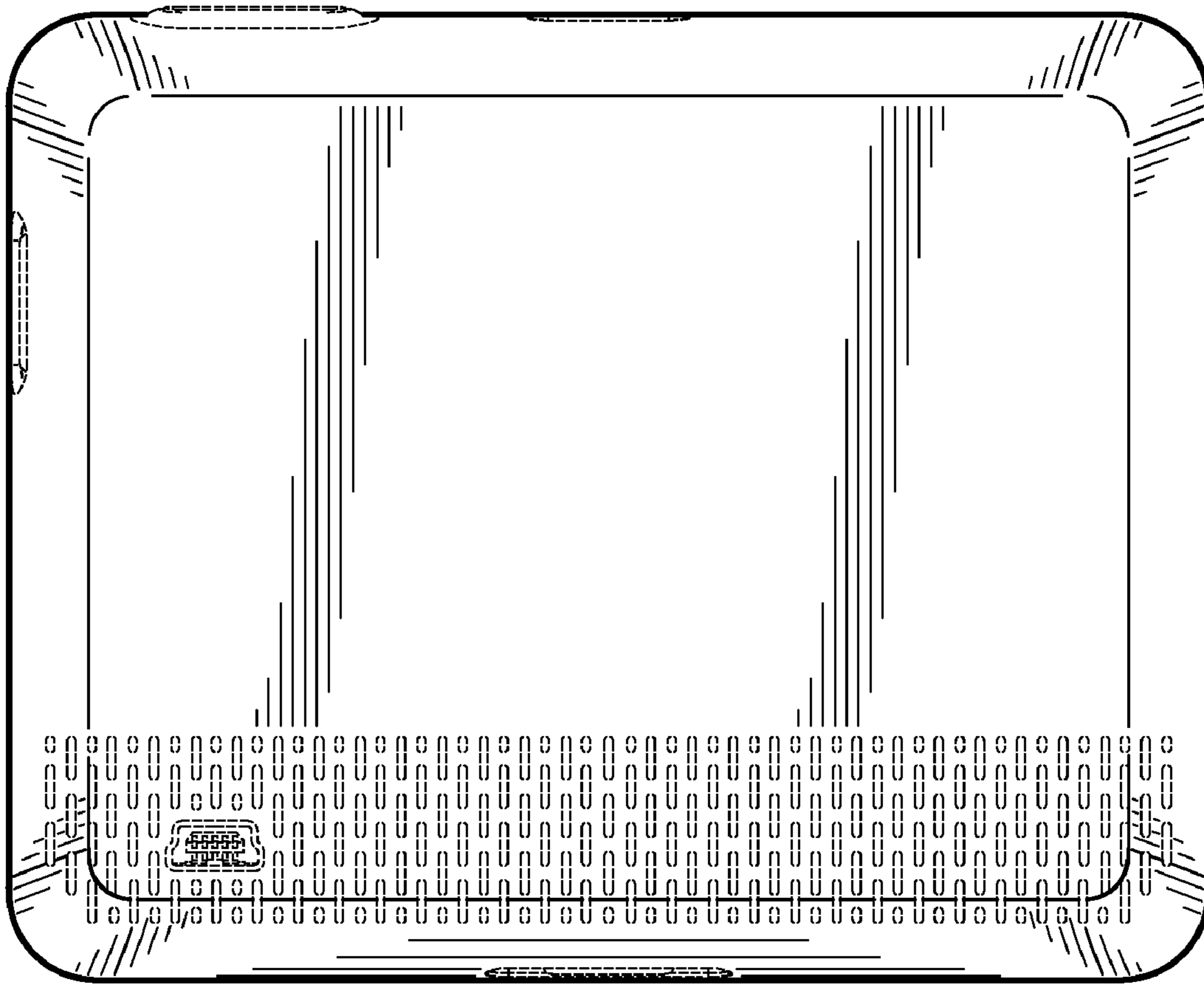
*Fig. 2*



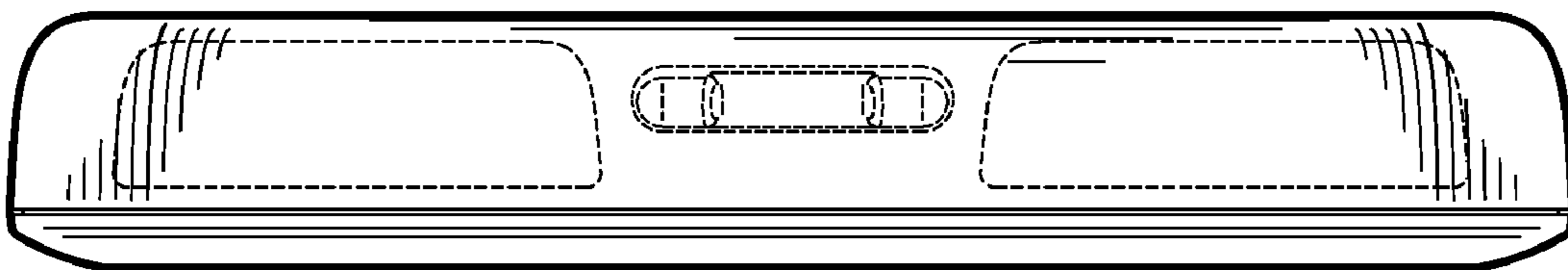
*Fig. 3*



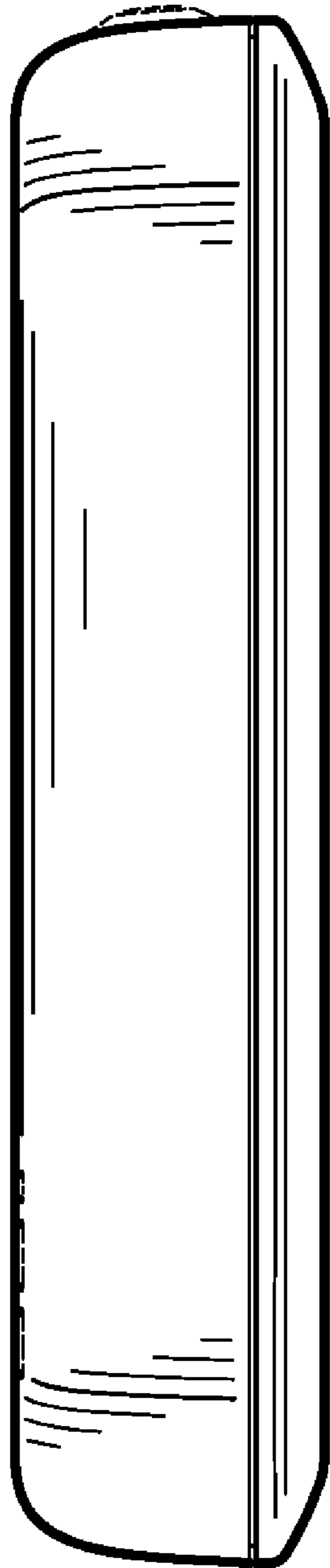
*Fig. 4*



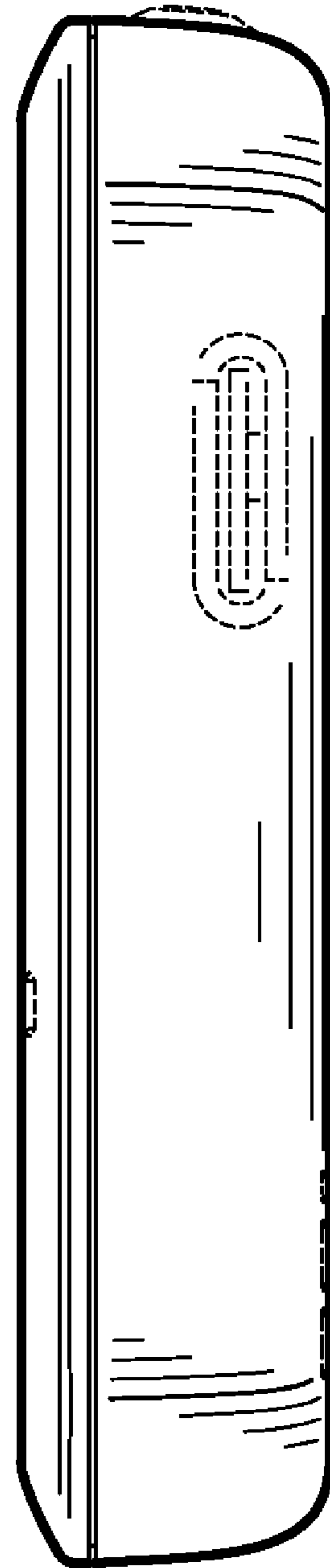
*Fig. 5*



*Fig. 6*



*Fig. 7*



*Fig. 8*