



US00D611362S

(12) **United States Design Patent**
Hansen et al.

(10) **Patent No.:** **US D611,362 S**
(45) **Date of Patent:** **** Mar. 9, 2010**

(54) **NAVIGATION DEVICE**

(75) Inventors: **Kevin M. Hansen**, Lawrence, KS (US);
Derrick D. Lenz, Olathe, KS (US);
Warren R. Stevens, Olathe, KS (US)

(73) Assignee: **Garmin Ltd.** (KY)

(**) Term: **14 Years**

(21) Appl. No.: **29/330,372**

(22) Filed: **Jan. 6, 2009**

(51) **LOC (9) Cl.** **10-04**

(52) **U.S. Cl.** **D10/65**

(58) **Field of Classification Search** D10/65;
D14/341, 344, 507, 138 R, 138 AA, 203.3,
D14/203.4, 203.5, 203.7; 342/386, 351,
342/419, 457, 357.06–357.13; 343/702;
345/87, 104, 133, 156, 168, 173, 901–905;
348/180, 184, 315, 739; 364/444, 499; 701/206–209,
701/213, 214

See application file for complete search history.

(56) **References Cited**

U.S. PATENT DOCUMENTS

D543,876 S	6/2007	Kalis et al.	D10/65
D549,603 S	8/2007	Lammers-Meis et al.	D10/74
D561,619 S *	2/2008	Miyawaki et al.	D10/65
D563,806 S *	3/2008	Jeon	D10/65
D565,978 S *	4/2008	Stevens et al.	D10/65
D565,979 S *	4/2008	Ichikawa et al.	D10/65
D571,234 S *	6/2008	Reeson et al.	D10/65
D571,235 S *	6/2008	Stevens et al.	D10/65
D574,272 S *	8/2008	Stevens et al.	D10/65
D575,171 S *	8/2008	Miyawaki	D10/65
D577,298 S *	9/2008	Reeson et al.	D10/65
D584,646 S *	1/2009	Sanguinetti	D10/65

D589,381 S *	3/2009	Gretton	D10/65
D589,824 S *	4/2009	Gretton	D10/65
D592,083 S *	5/2009	Stevens et al.	D10/65
7,567,212 B2 *	7/2009	Inoue et al.	343/702
2008/0259024 A1 *	10/2008	Nam et al.	345/156
2009/0043446 A1 *	2/2009	Drew et al.	701/33
2009/0160803 A1 *	6/2009	Hashimoto	345/173
2009/0189803 A1 *	7/2009	Beason	342/357.1
2009/0219259 A1 *	9/2009	Kwon	345/173

OTHER PUBLICATIONS

U.S. Appl. No. 29/320,748, filed Jul. 2, 2008.

* cited by examiner

Primary Examiner—Antoine D Davis

(74) *Attorney, Agent, or Firm*—Samuel M. Korte

(57) **CLAIM**

The ornamental design for a navigation device, as shown and described.

DESCRIPTION

FIG. 1 is a front perspective view of a navigation device according to the present invention;

FIG. 2 is a rear perspective view of the navigation device;

FIG. 3 is a top view of the navigation device;

FIG. 4 is a front view of the navigation device;

FIG. 5 is a bottom view of the navigation device;

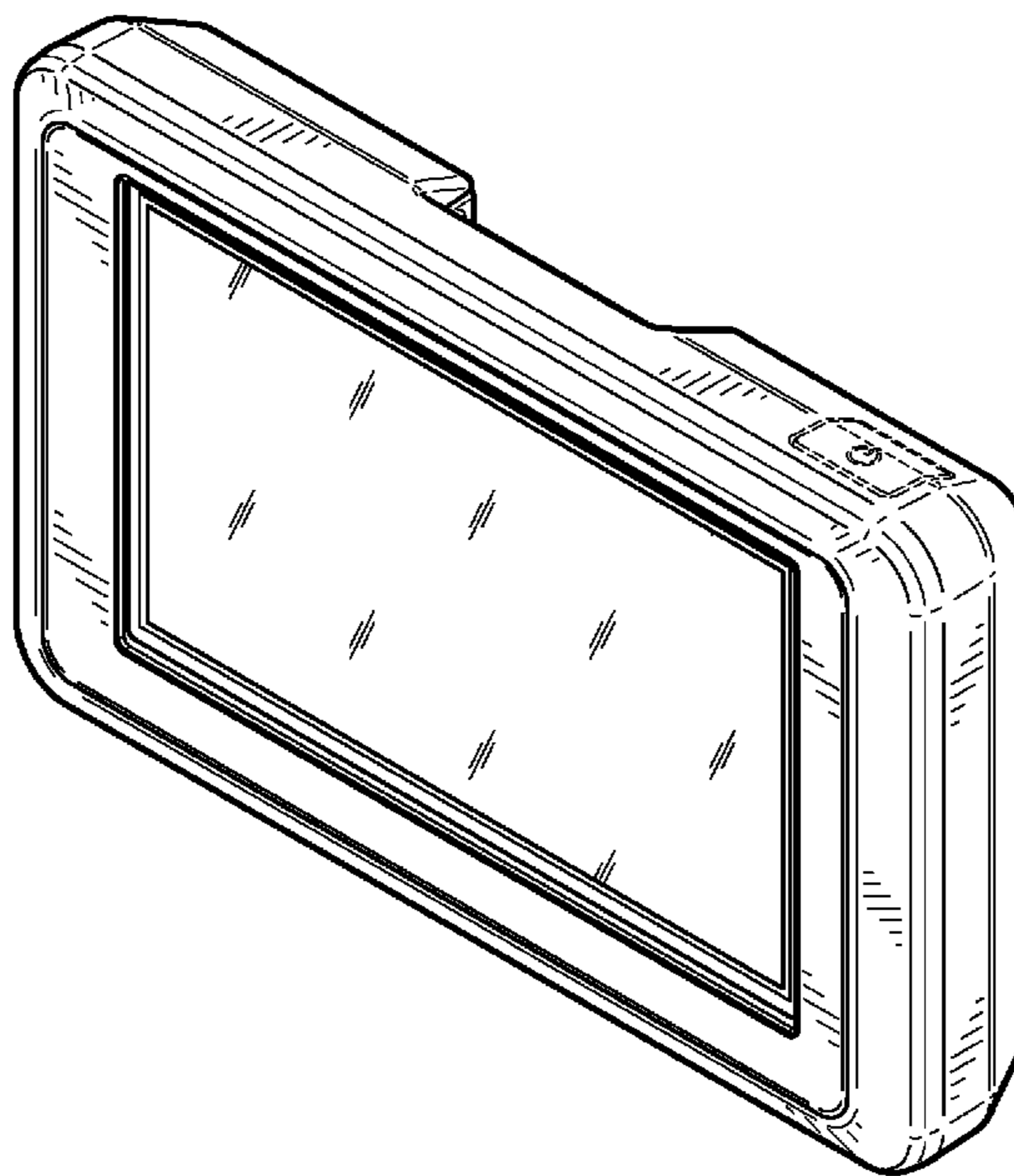
FIG. 6 is a rear view of the navigation device;

FIG. 7 is a left-side view of the navigation device; and,

FIG. 8 is a right-side view of the navigation device.

Portions of FIGS. 1 through 8 are shown in dashed lines for illustrative purposes only and form no part of the claimed design.

1 Claim, 3 Drawing Sheets



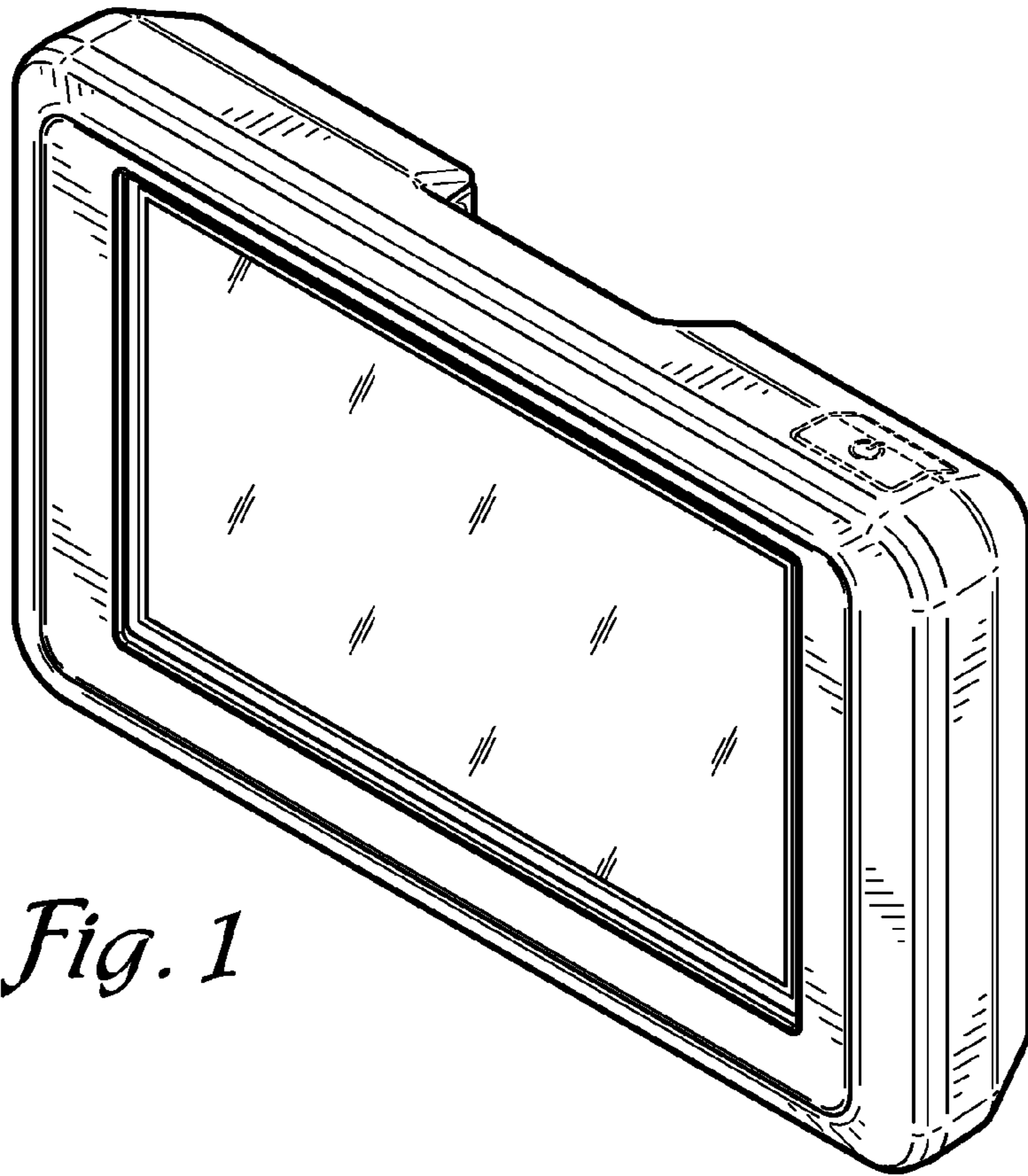


Fig. 1

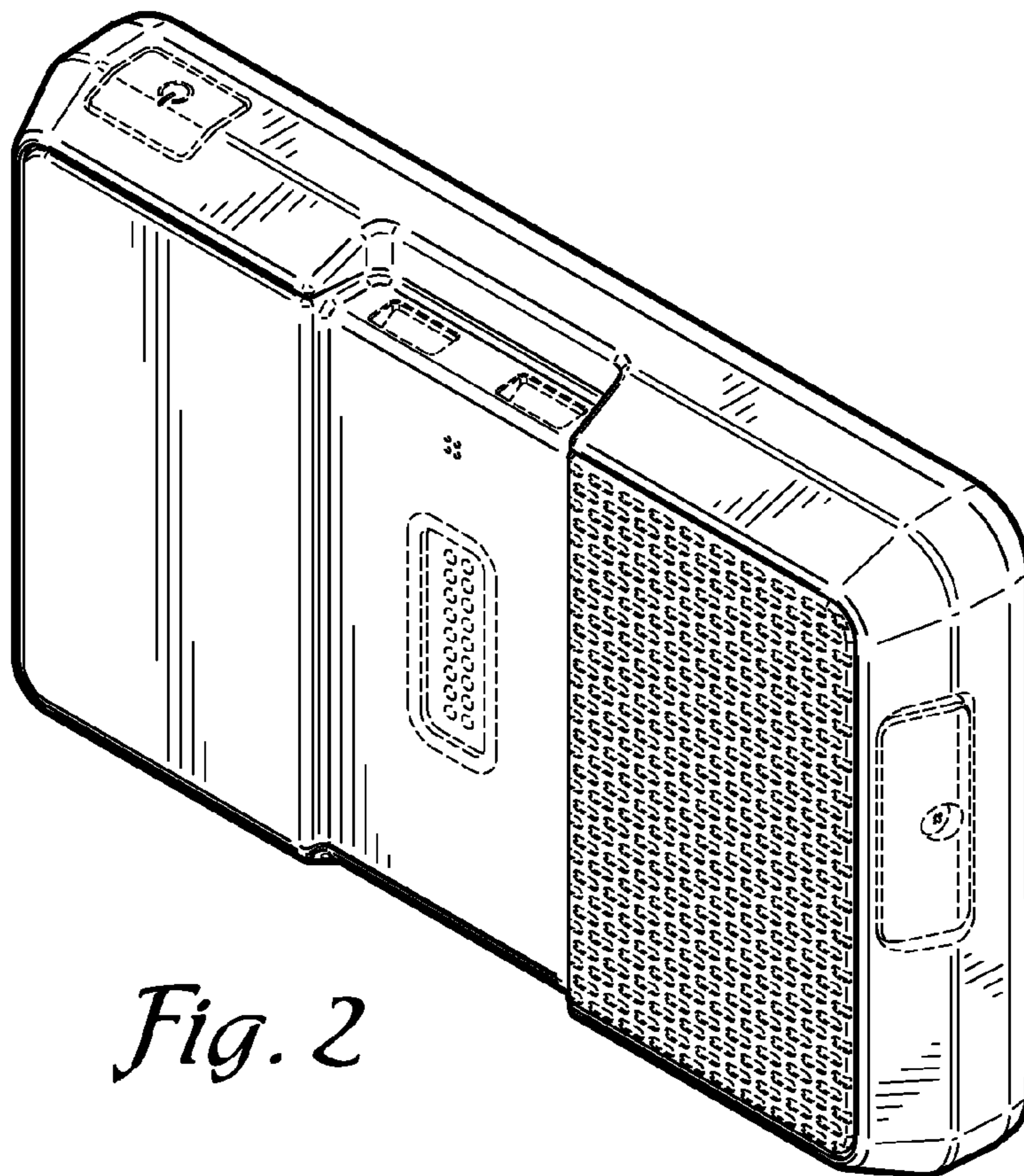


Fig. 2

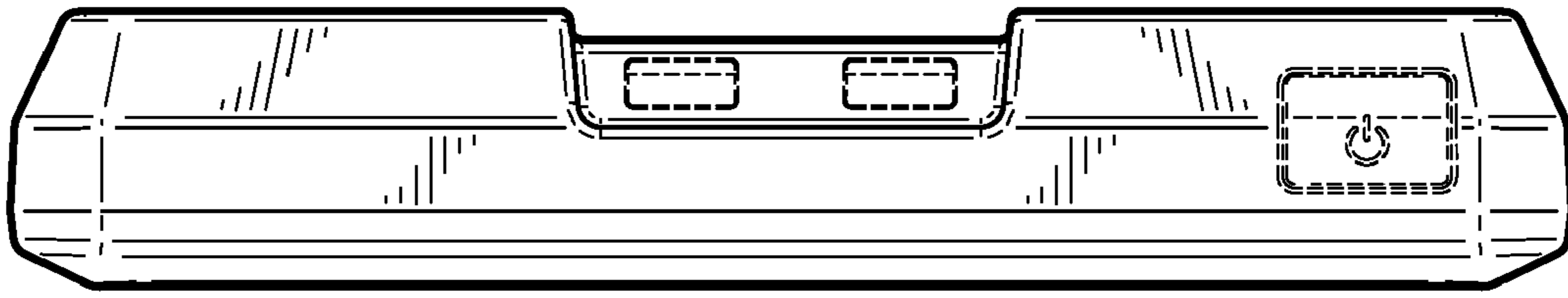


Fig. 3

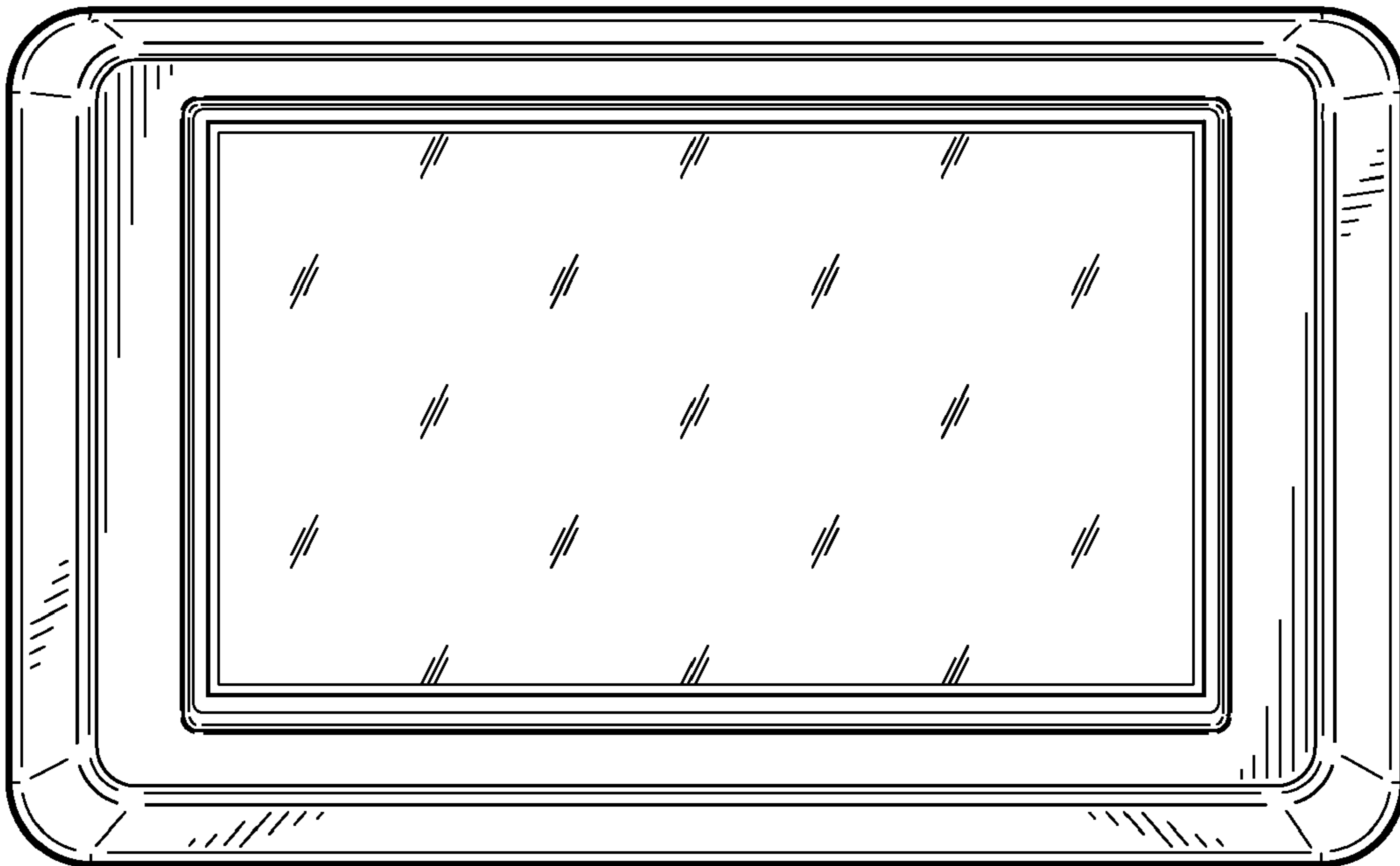


Fig. 4

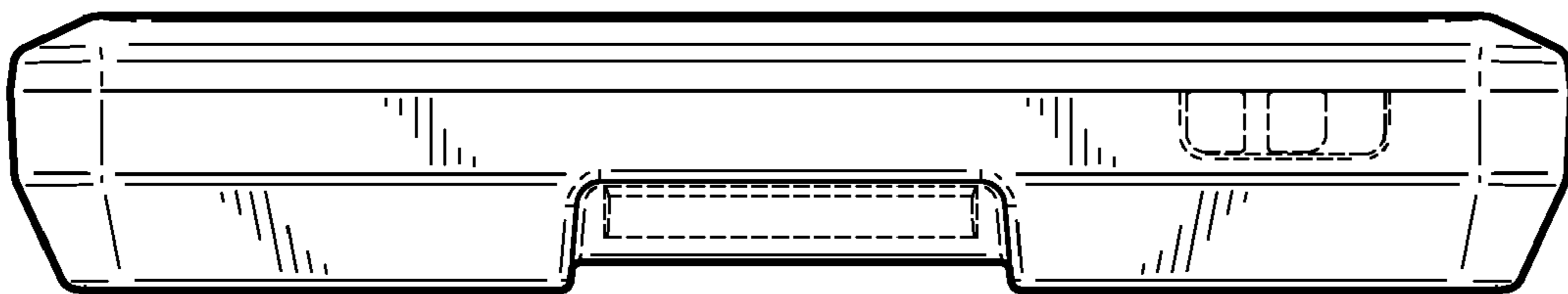


Fig. 5

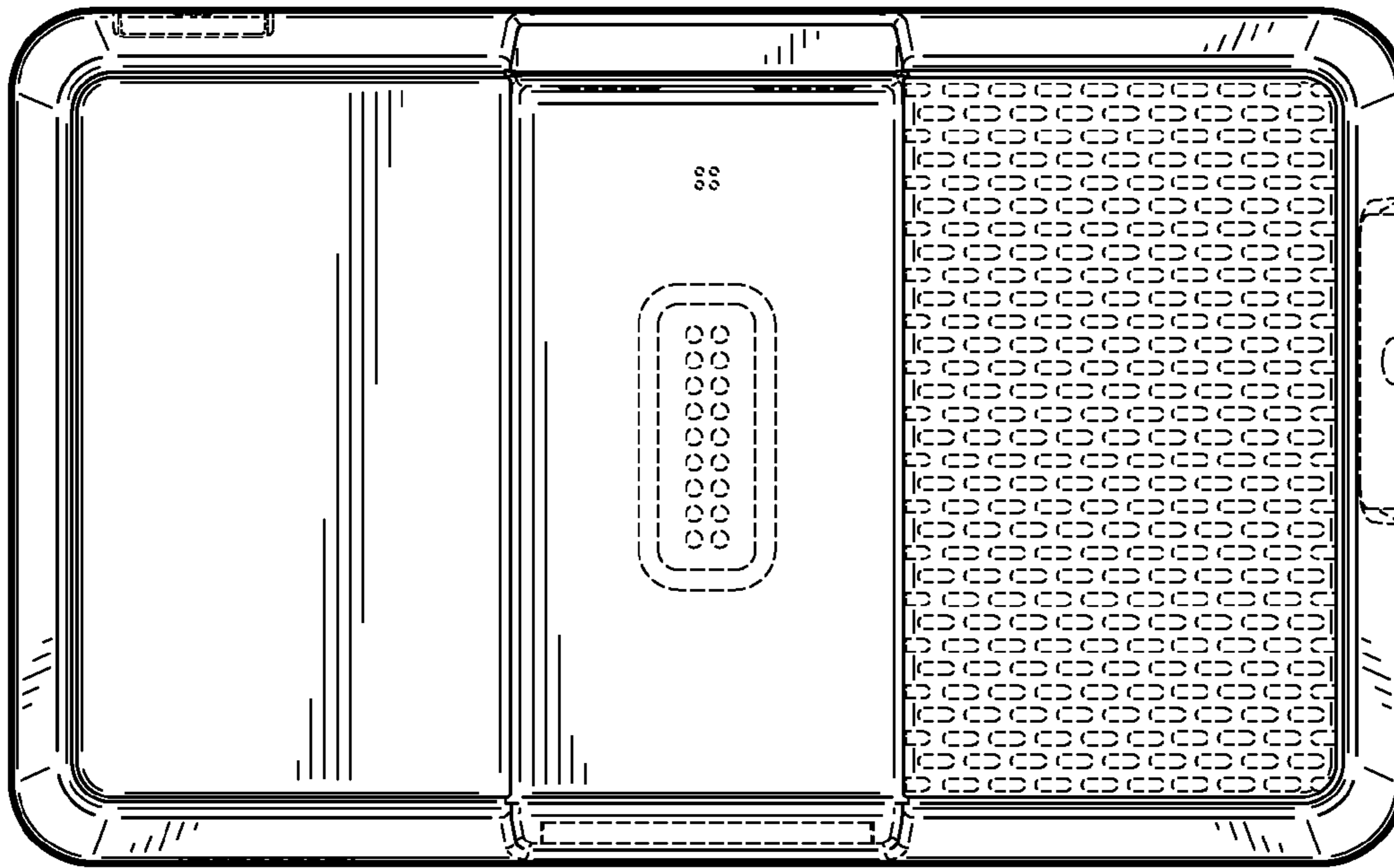


Fig. 6

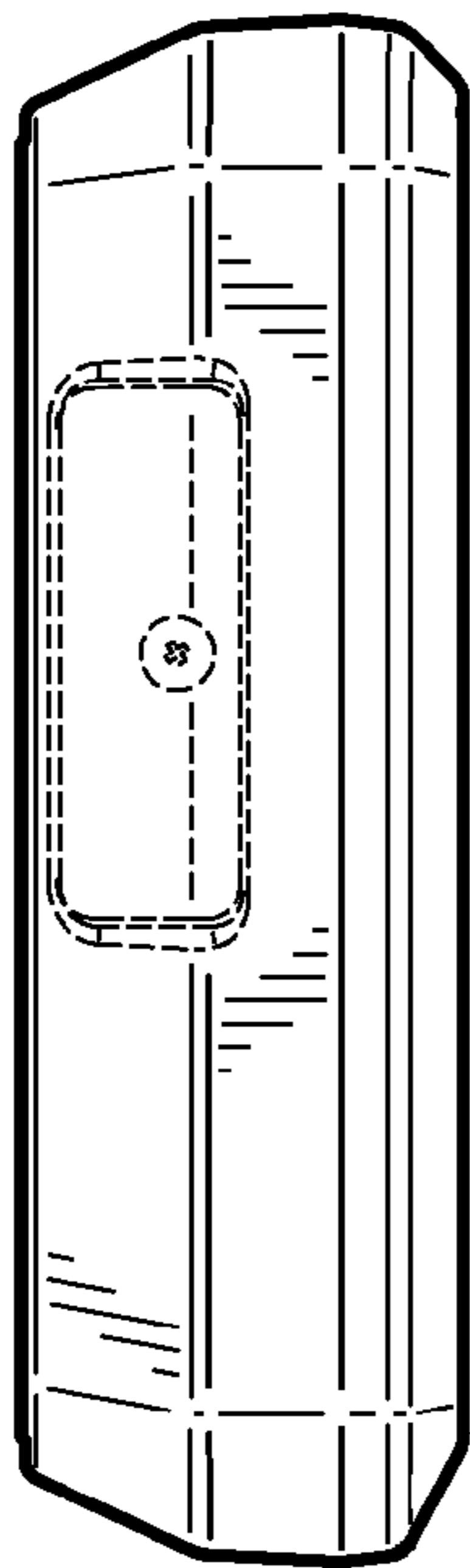


Fig. 7

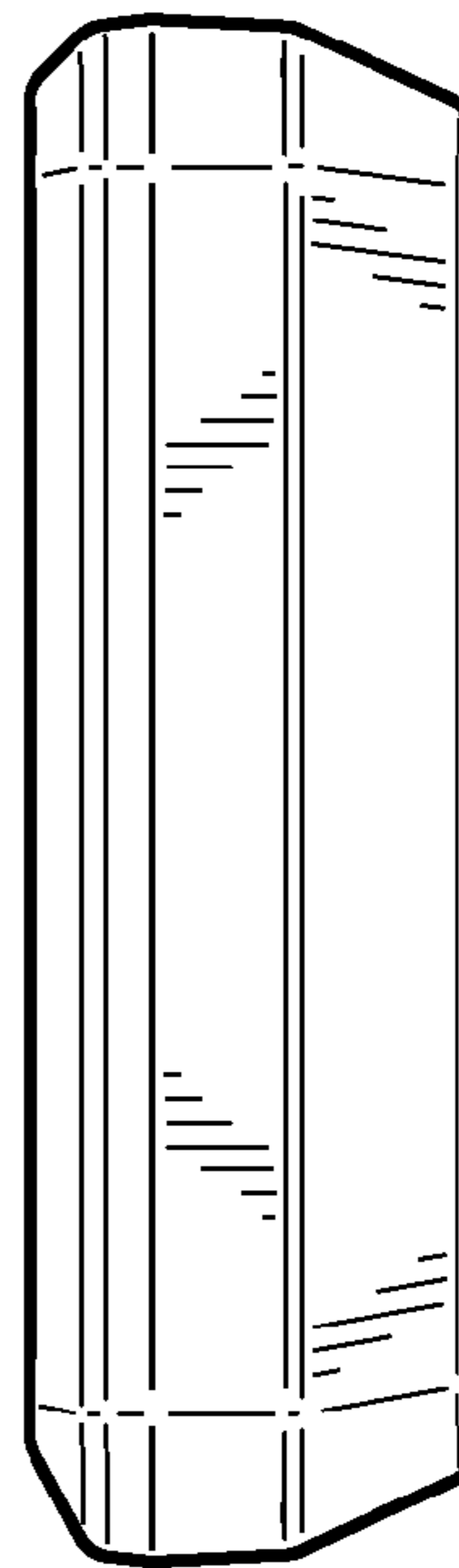


Fig. 8