



US00D611361S

(12) **United States Design Patent**  
**Knight**

(10) **Patent No.:** **US D611,361 S**  
(45) **Date of Patent:** **\*\* Mar. 9, 2010**

(54) **GPS MONITOR**

D594,360 S \* 6/2009 Aglassinger ..... D10/70

(76) Inventor: **Lee Knight**, 15920 Bernardo Center Dr.,  
San Diego, CA (US) 94606

\* cited by examiner

*Primary Examiner*—Antoine D Davis  
(74) *Attorney, Agent, or Firm*—Francis Law Group

(\*\*) Term: **14 Years**

(21) Appl. No.: **29/314,813**

(57) **CLAIM**

(22) Filed: **May 1, 2009**

I claim the ornamental design for a GPS monitor, as shown  
and described.

(51) **LOC (9) Cl.** ..... **10-04**

(52) **U.S. Cl.** ..... **D10/65; D10/70**

(58) **Field of Classification Search** ..... D10/65,  
D10/70; 356/5.15, 4.01, 5.01, 5.08, 4.05,  
356/5.07, 5.09, 5.12, 28.5, 345, 375, 3.01,  
356/5.06, 128–155, 399, 400; 385/83, 97,  
385/98, 99, 134–139; 701/211–213; 702/150,  
702/185, 208; 264/1.24, 1.25; 33/276, 277,  
33/281, 285, 286, 290, 291–299; 340/539,  
340/825.36, 825.46, 825.49, 357.02

**DESCRIPTION**

See application file for complete search history.

FIG. 1 is a front perspective view of my new design;  
FIG. 2 is a front elevational view thereof;  
FIG. 3 is a rear elevational view thereof;  
FIG. 4 is a top elevational view thereof;  
FIG. 5 is a bottom elevational view thereof;  
FIG. 6 is a right side elevational view thereof; and,  
FIG. 7 is a left side elevational view thereof.

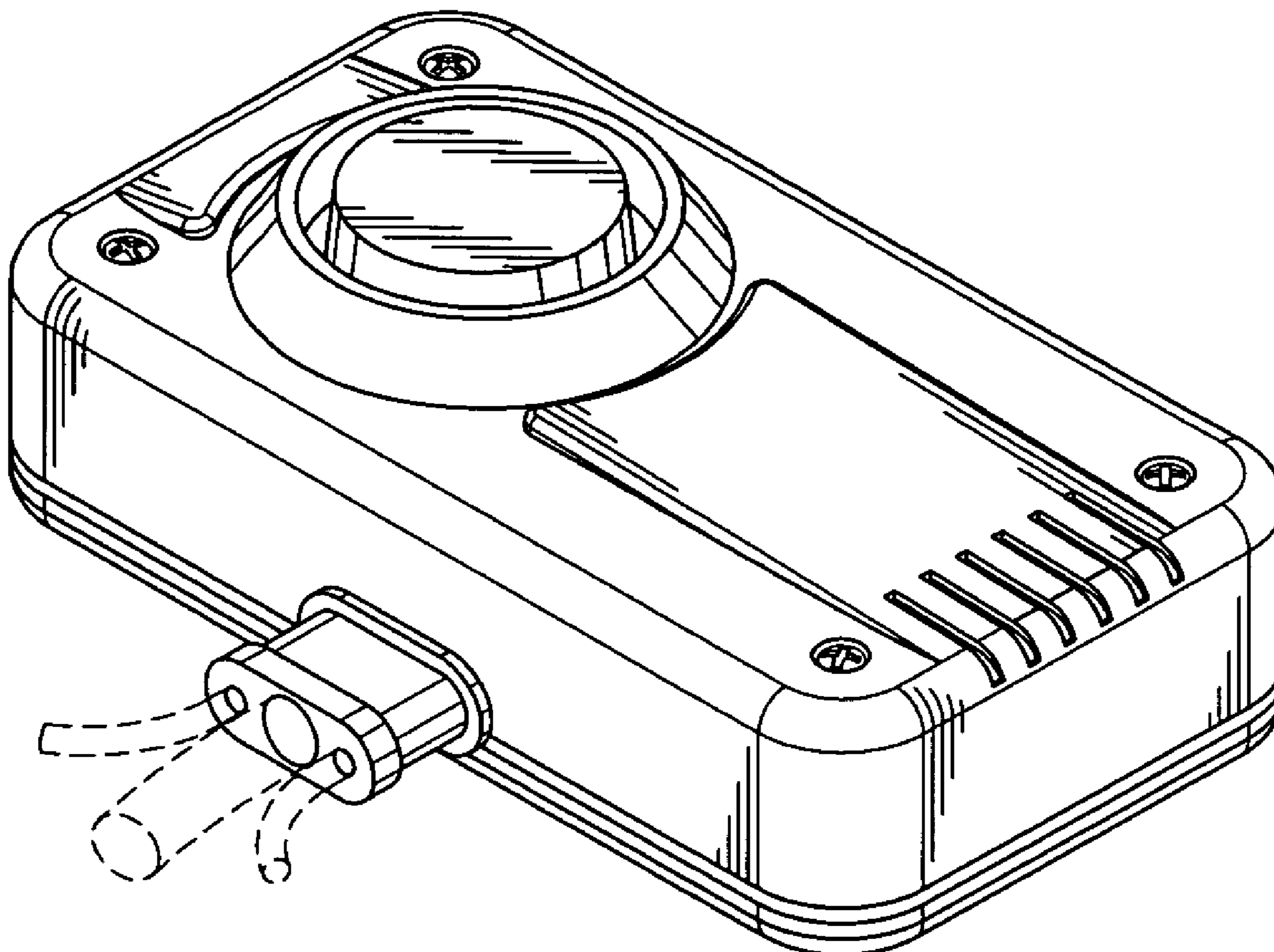
The broken line showing of structural features is included for  
the purpose of illustrating non-claimed subject matter and  
forms no part of the claimed design.

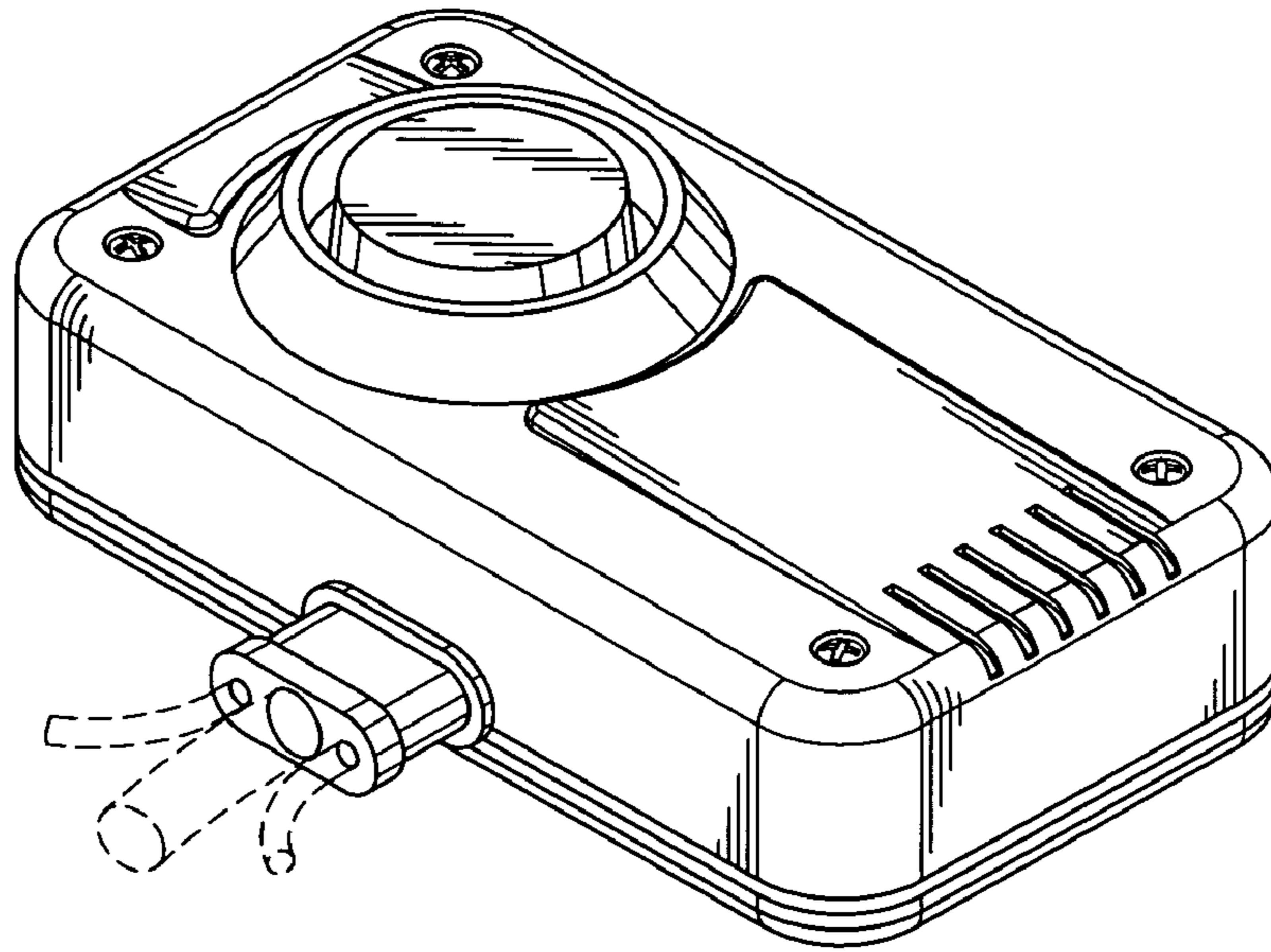
(56) **References Cited**

**U.S. PATENT DOCUMENTS**

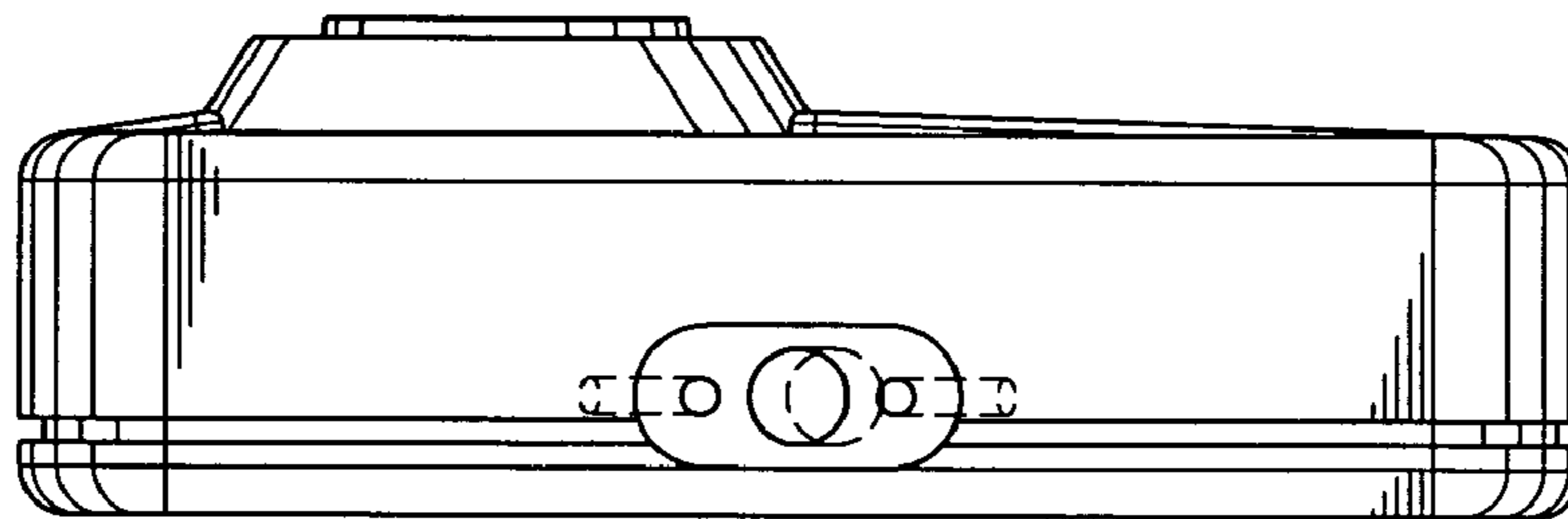
D594,359 S \* 6/2009 Aglassinger ..... D10/70

**1 Claim, 3 Drawing Sheets**

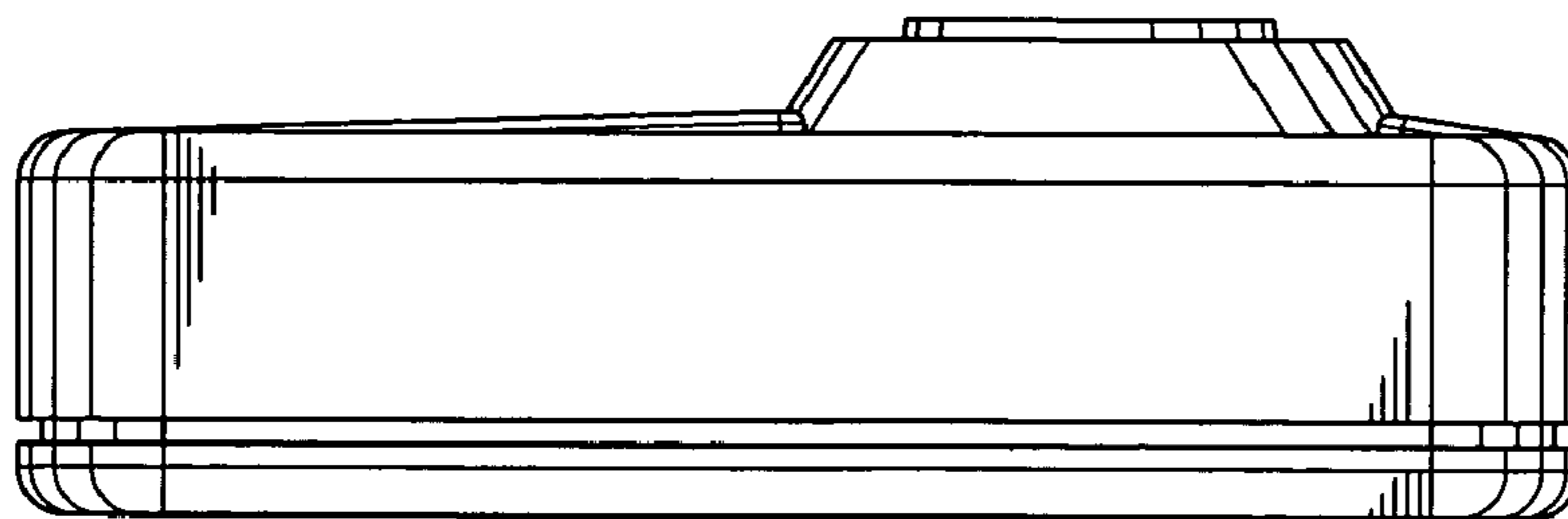




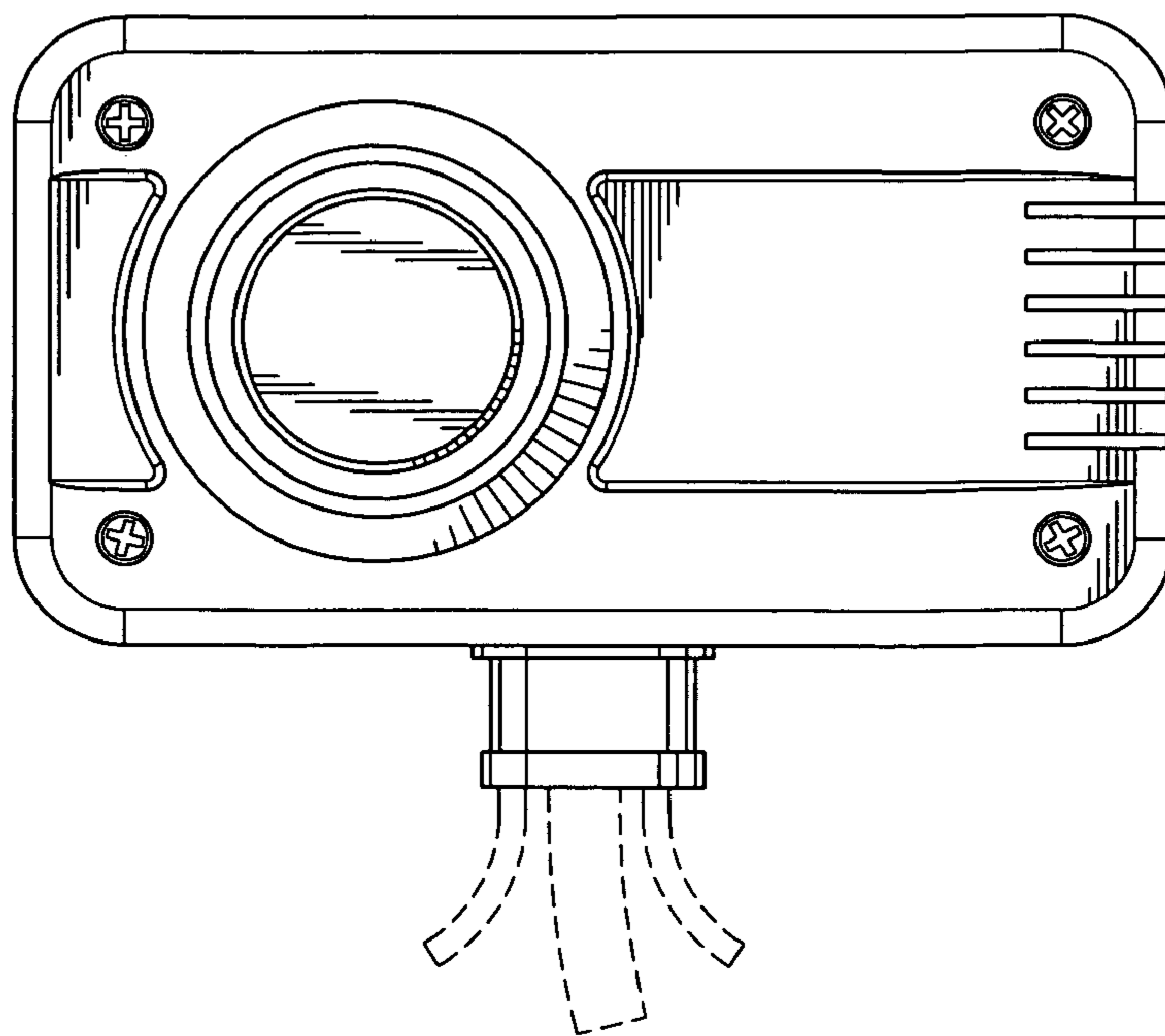
*FIG. 1*



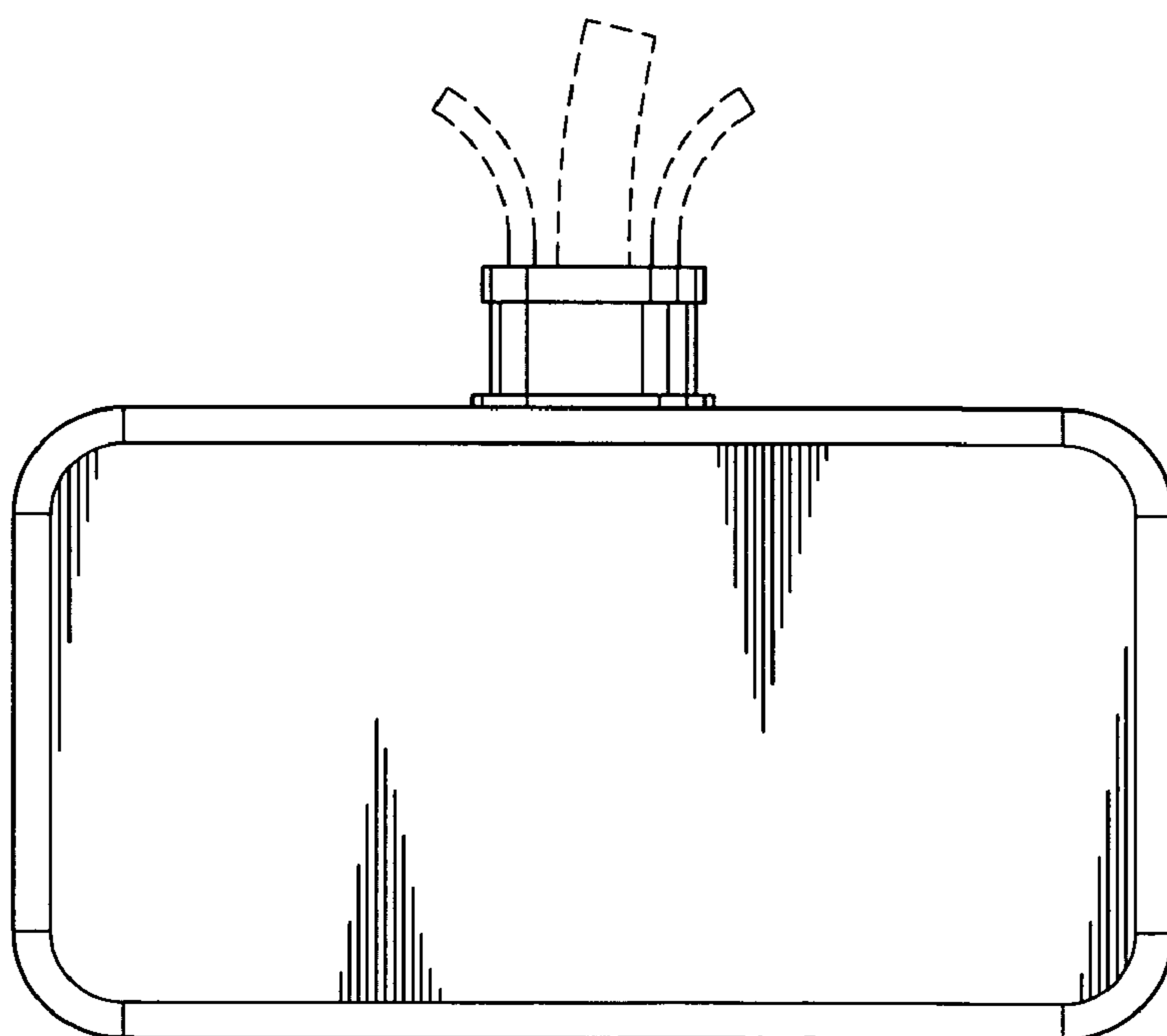
*FIG. 2*



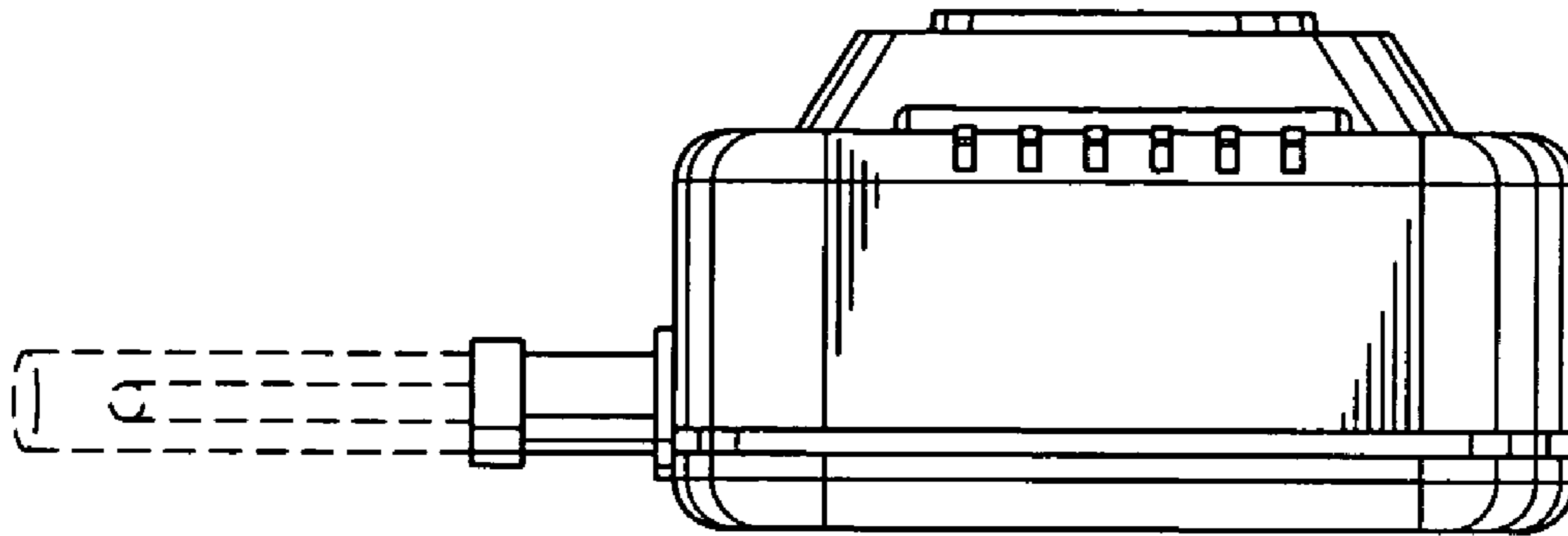
*FIG. 3*



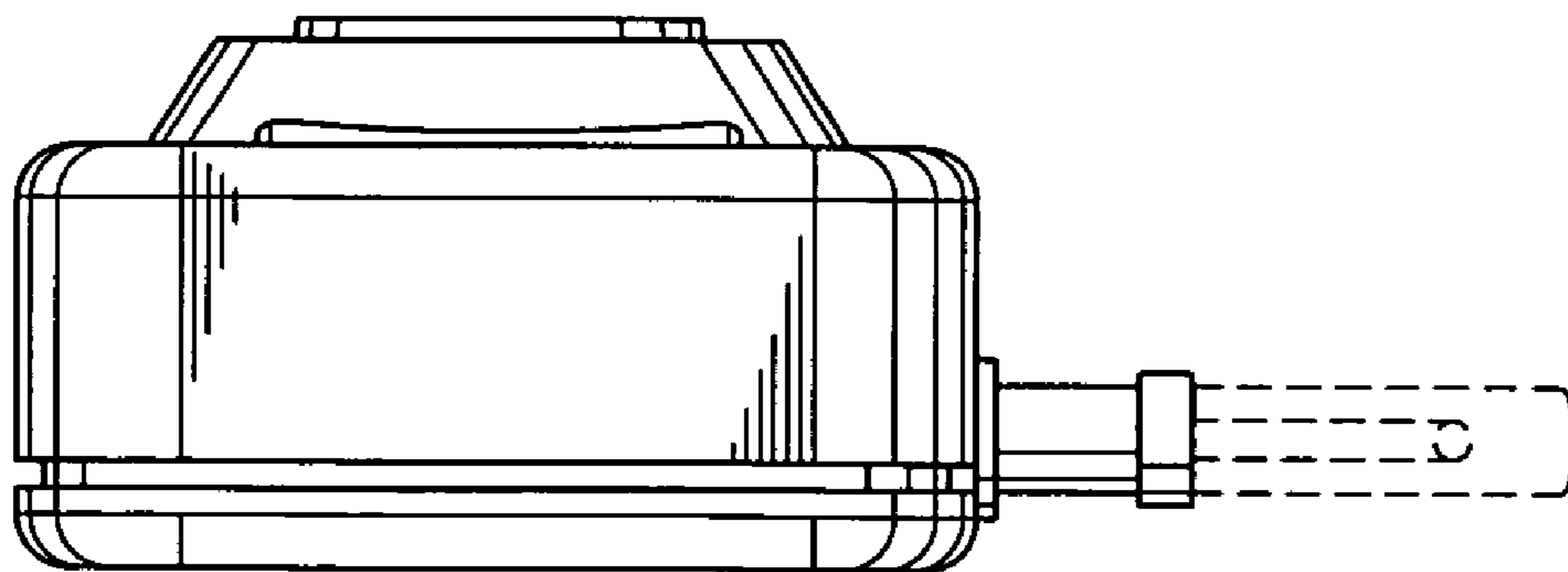
**FIG. 4**



**FIG. 5**



*FIG. 6*



*FIG. 7*