



US00D611356S

(12) **United States Design Patent**  
**Kaminski et al.**

(10) **Patent No.:** **US D611,356 S**  
(45) **Date of Patent:** **\*\* Mar. 9, 2010**

(54) **PLASTIC CONTAINER**

(75) Inventors: **Christopher E. Kaminski**, Northfield Center, OH (US); **Richard A. Lovelace, Jr.**, Munroe Falls, OH (US)

(73) Assignee: **Plastipak Packaging, Inc.**, Plymouth, MI (US)

(\*\*) Term: **14 Years**

(21) Appl. No.: **29/329,265**

(22) Filed: **Dec. 11, 2008**

(51) **LOC (9) Cl.** ..... **09-01**

(52) **U.S. Cl.** ..... **D9/574; D9/563; D9/570**

(58) **Field of Classification Search** ..... D9/500, D9/516, 529, 530, 537, 540, 543, 549-552, D9/564, 571, 575, 434, 435, 449; 220/662, 220/669; 215/382-384

See application file for complete search history.

(56) **References Cited**

**U.S. PATENT DOCUMENTS**

D347,391 S *	5/1994	Guertin	.....	D9/570
D411,803 S *	7/1999	Guertin	.....	D9/570
D421,721 S *	3/2000	Guertin	.....	D9/570
D533,071 S *	12/2006	Forget	.....	D9/574
D536,985 S *	2/2007	Forget	.....	D9/541
D568,167 S *	5/2008	Sasaki et al.	.....	D9/570

D578,400 S *	10/2008	Sasaki et al.	.....	D9/570
D584,153 S *	1/2009	Bourne	.....	D9/502
D586,664 S *	2/2009	Darr et al.	.....	D9/745
D601,426 S *	10/2009	Darr et al.	.....	D9/570
2007/0170144 A1 *	7/2007	Lane et al.	.....	215/383

\* cited by examiner

*Primary Examiner*—Stella M Reid

*Assistant Examiner*—Keli L Hill

(74) *Attorney, Agent, or Firm*—Dykema Gossett PLLC

(57) **CLAIM**

The ornamental design for a plastic container, as shown and described.

**DESCRIPTION**

FIG. 1 is a top, front left side perspective view of a plastic container showing our new design.

FIG. 2 is front elevation view thereof;

FIG. 3 is a left side view thereof;

FIG. 4 is a rear view thereof;

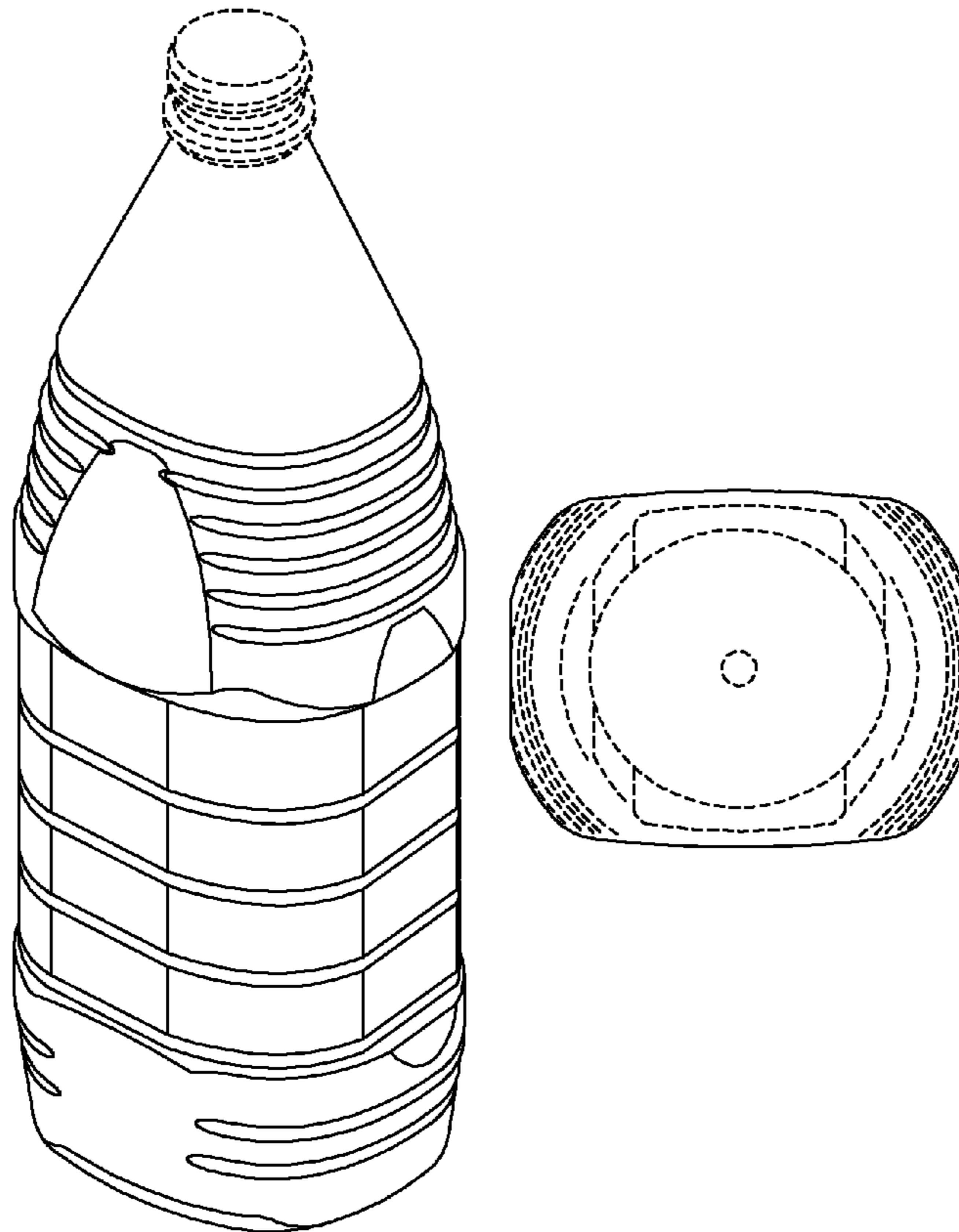
FIG. 5 is a right side view thereof;

FIG. 6 is a top plan view thereof; and,

FIG. 7 is a bottom plan view thereof.

The broken lines shown in the drawings are for illustrative purposes only and do not form a part of the claimed design.

**1 Claim, 6 Drawing Sheets**



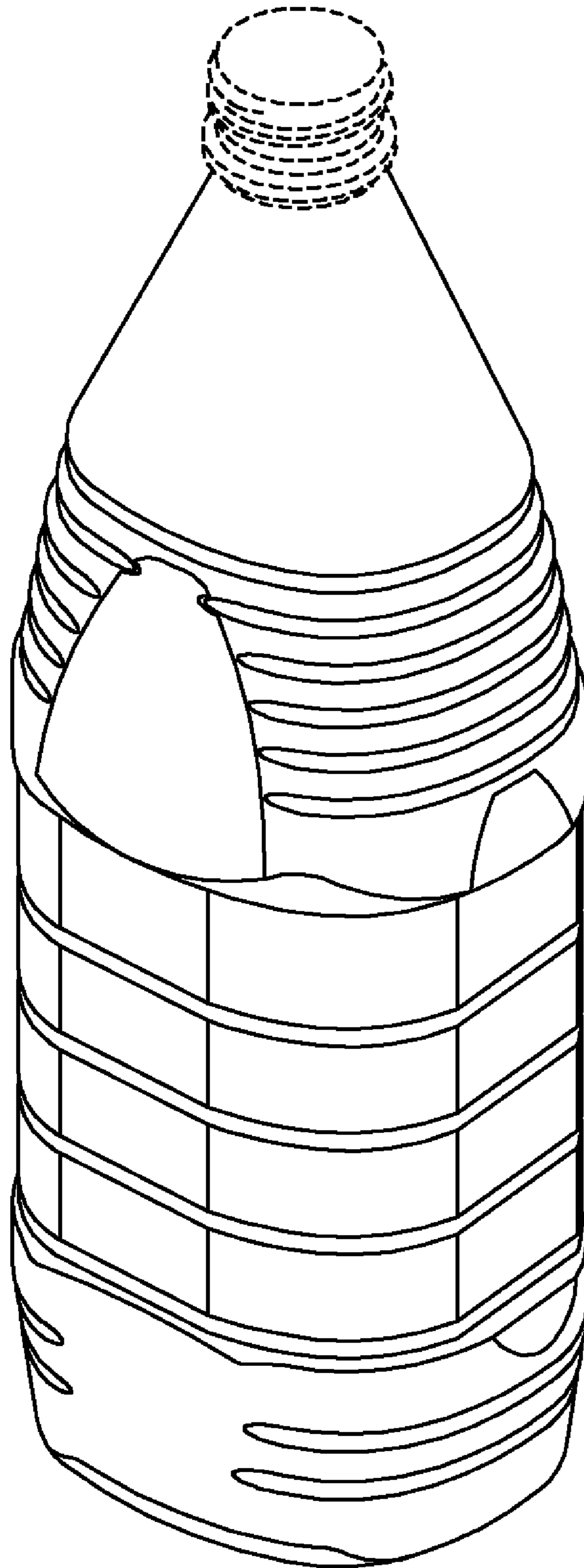


FIG. 1

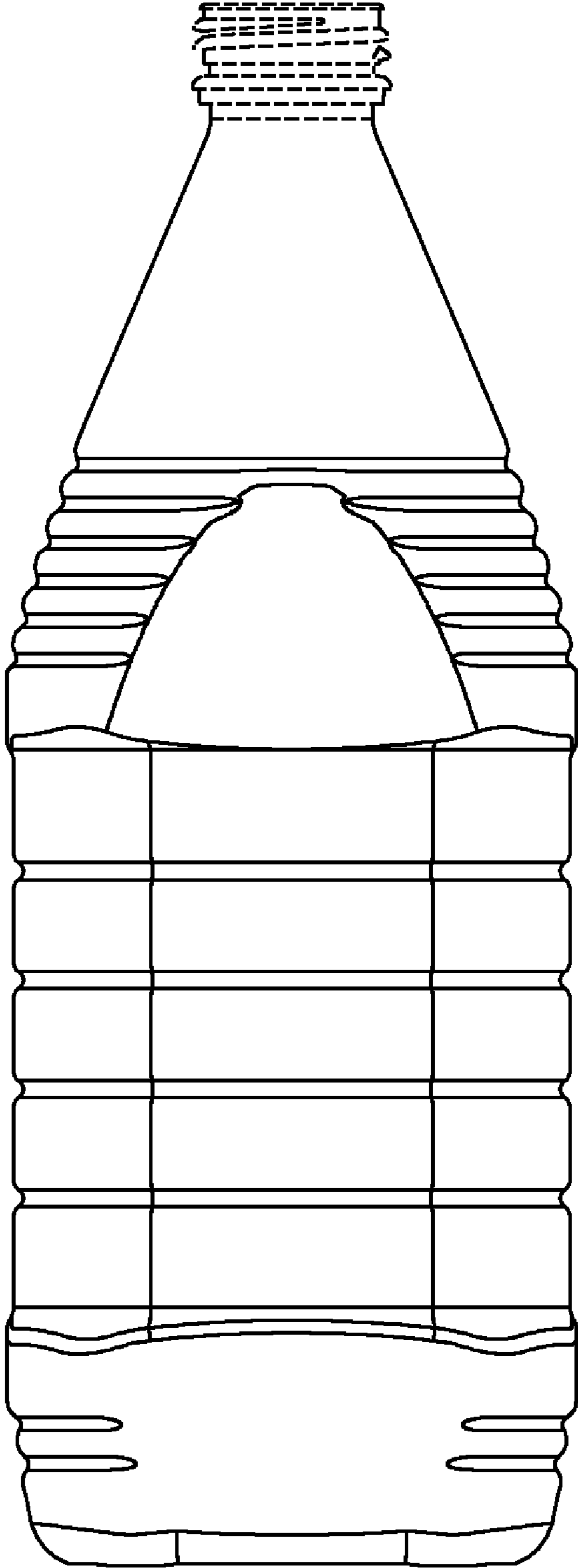


FIG. 2

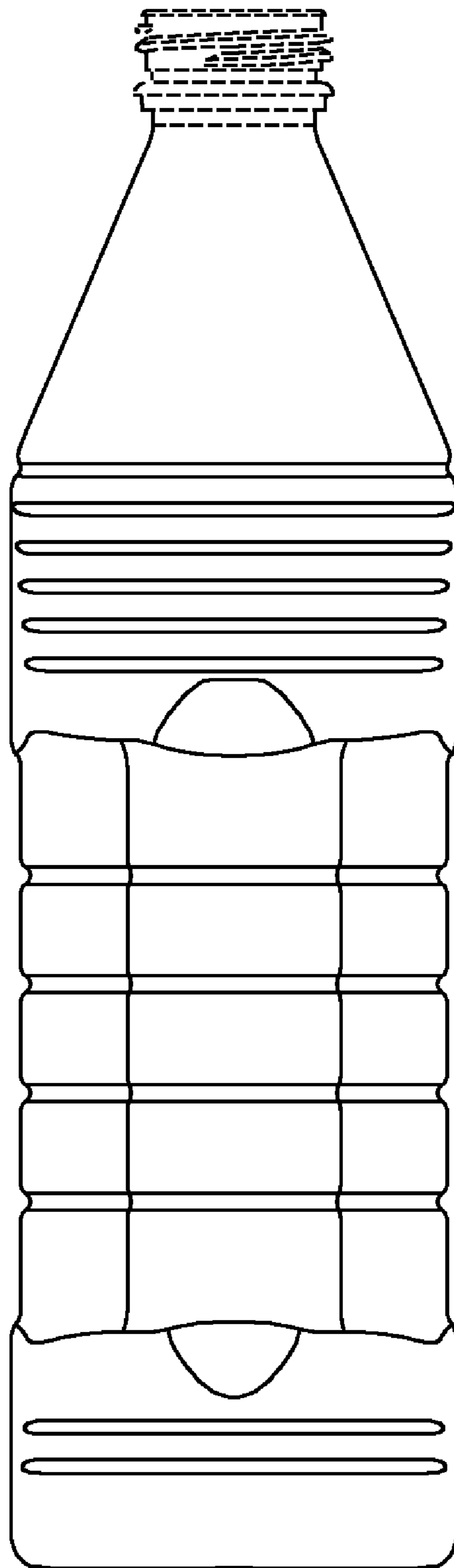


FIG. 3

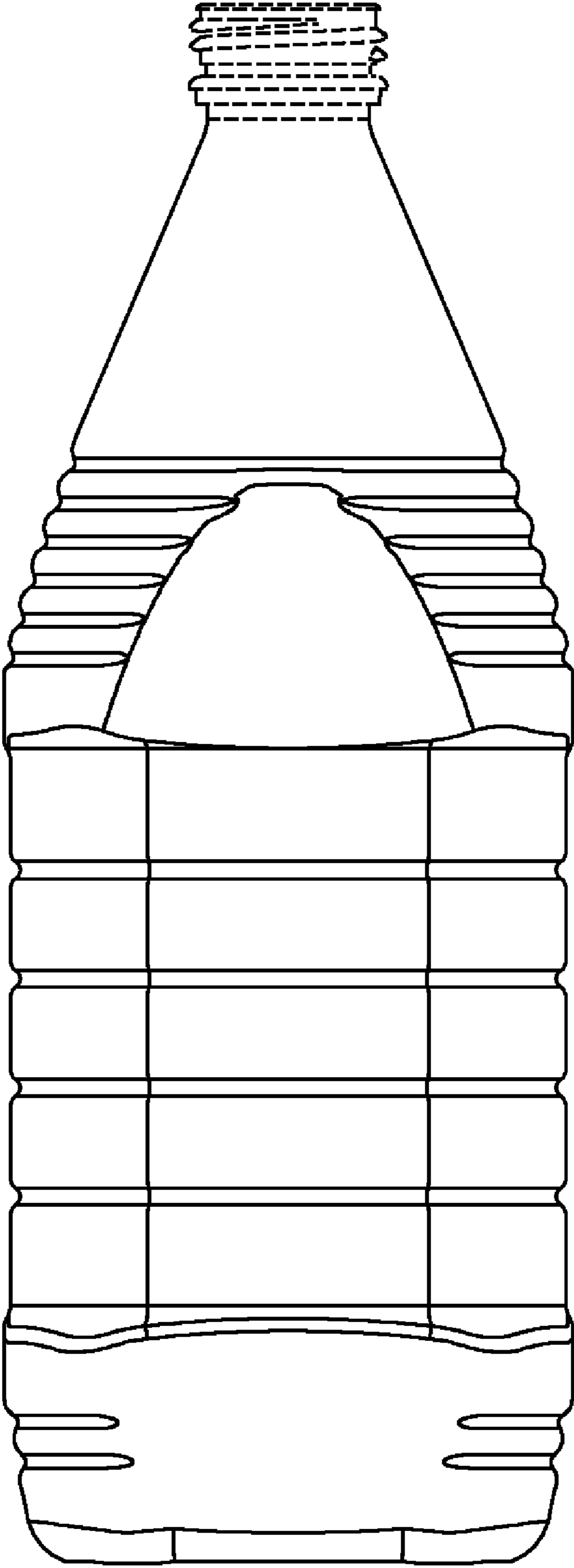


FIG. 4

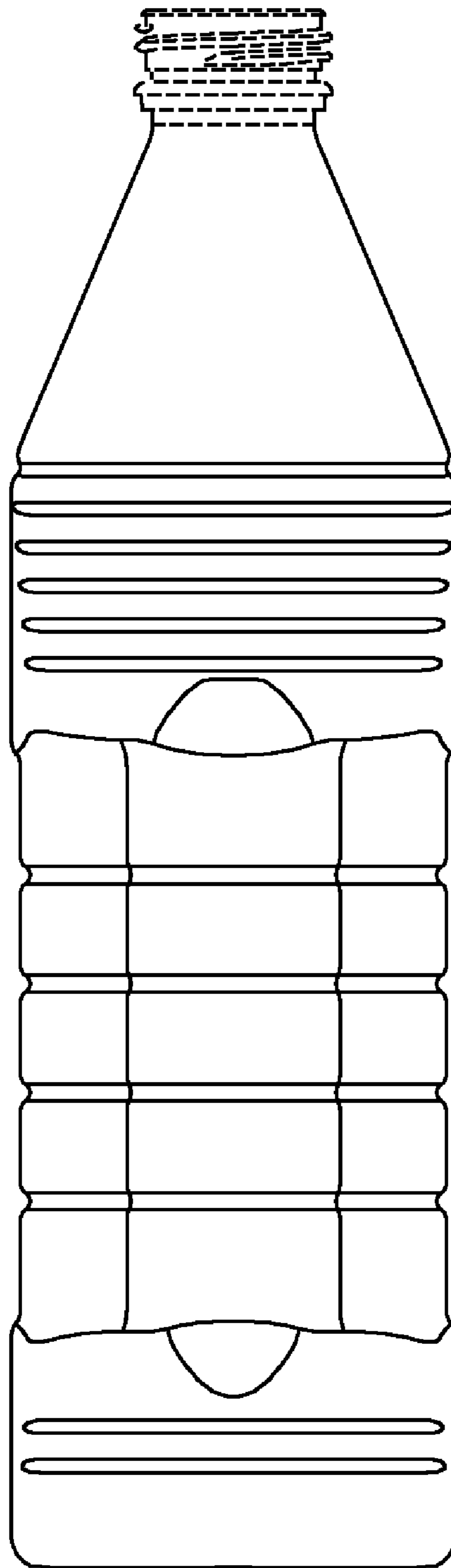


FIG. 5

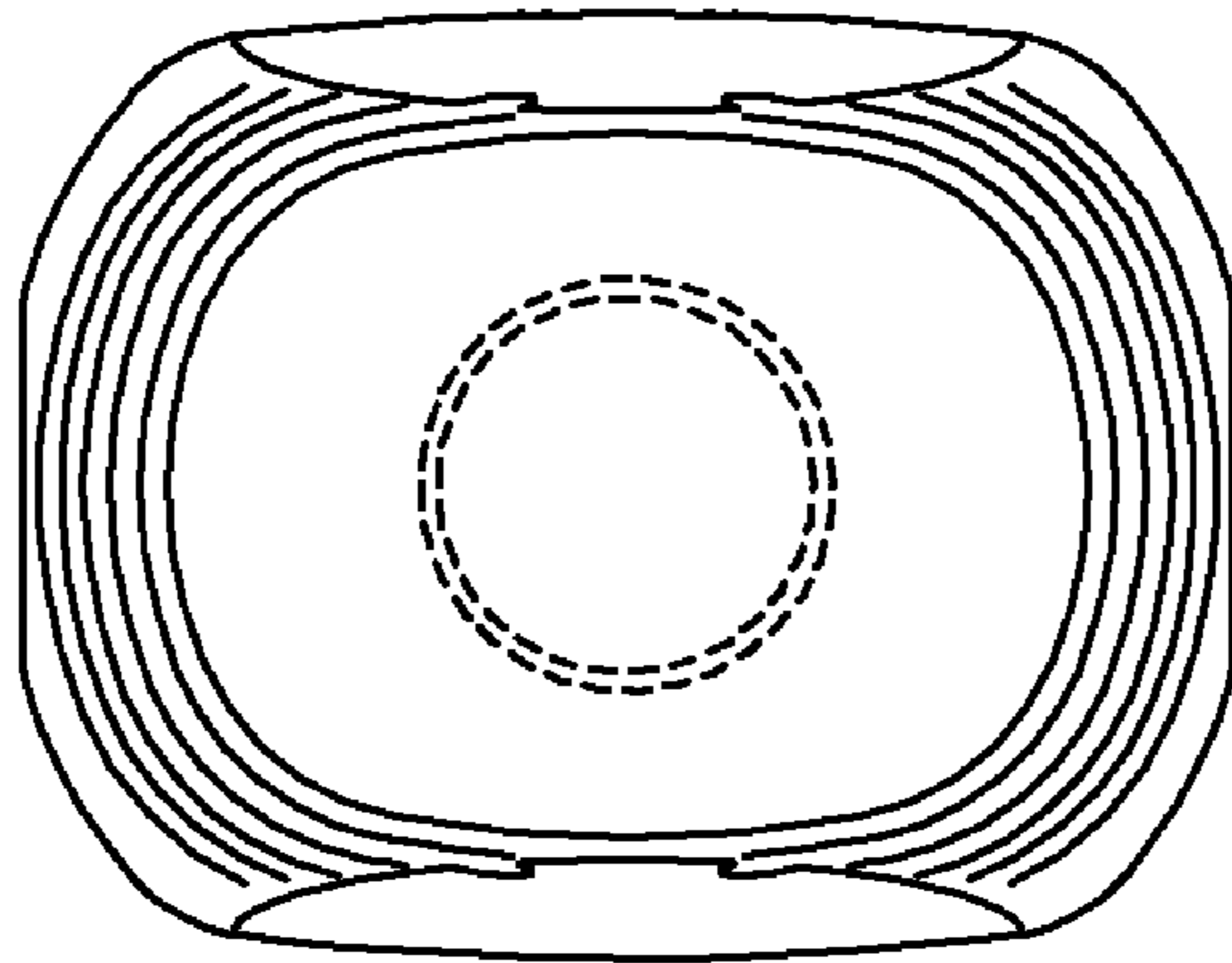


FIG. 6

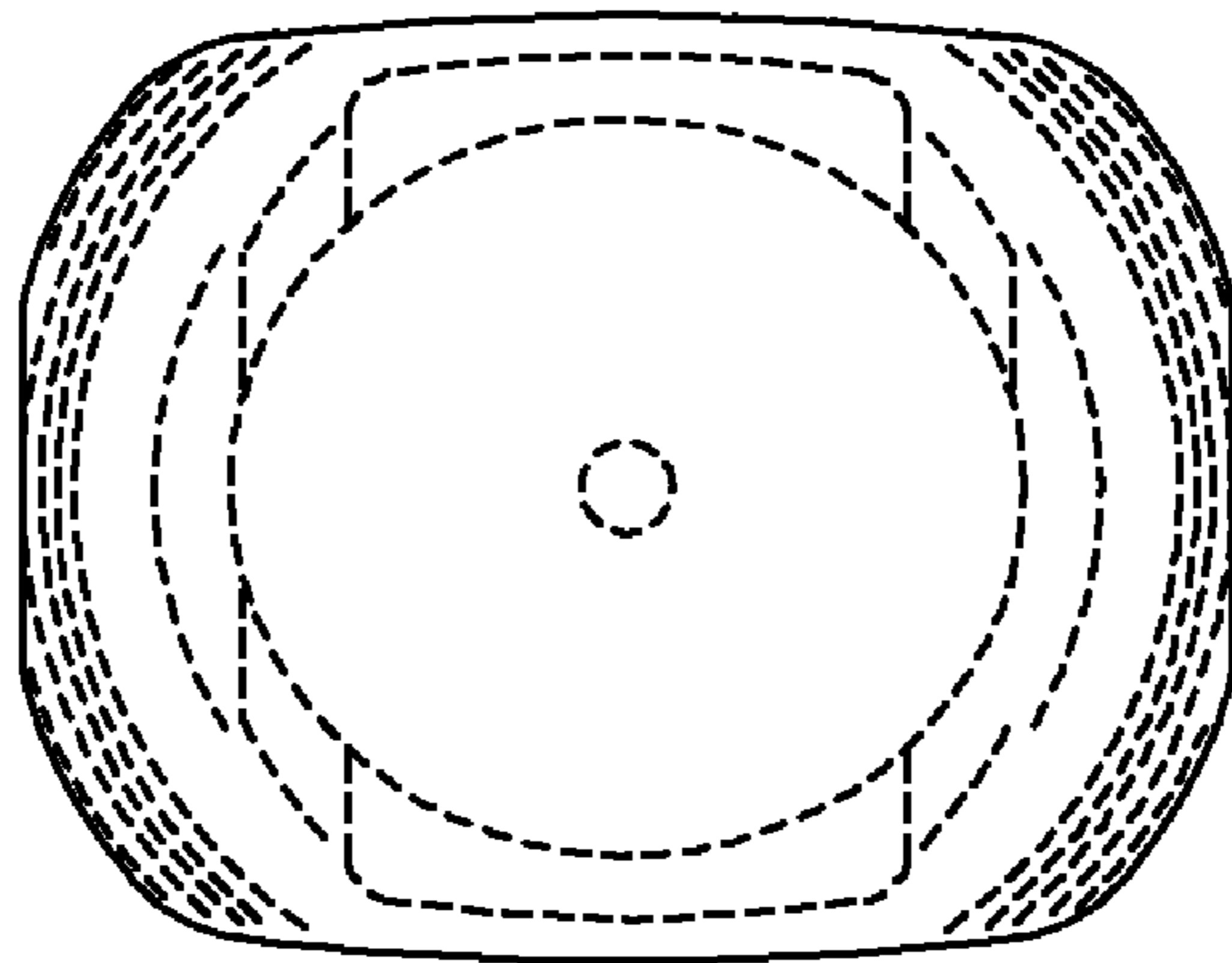


FIG. 7