

US00D611349S

(12) **United States Design Patent**
Shah et al.

(10) **Patent No.:** **US D611,349 S**
(45) **Date of Patent:** **** Mar. 9, 2010**

(54) **DOME OF A CONTAINER**
(75) Inventors: **Sunil S. Shah**, York, PA (US); **Sheldon E. Yourist**, York, PA (US); **April M. Peacock**, York, PA (US); **Benton A. Lewis**, Manchester, PA (US)
(73) Assignee: **Graham Packaging Company, L.P.**, York, PA (US)
(**) Term: **14 Years**
(21) Appl. No.: **29/339,117**
(22) Filed: **Jun. 24, 2009**
(51) **LOC (9) Cl.** **09-01**
(52) **U.S. Cl.** **D9/516**
(58) **Field of Classification Search** D9/500, D9/502, 516, 519, 530, 537, 538, 539, 540, D9/549, 551, 556, 557, 558, 574, 763, 772, D9/777; 215/381–385
See application file for complete search history.

D494,475 S * 8/2004 Thierjung et al. D9/538
D497,551 S * 10/2004 Gamel et al. D9/538
D501,404 S * 2/2005 Dalton et al. D9/500
D502,100 S * 2/2005 Bretz et al. D9/500
D510,025 S * 9/2005 Venkataraman et al. D9/516
D512,312 S * 12/2005 Bretz et al. D9/500
D513,591 S * 1/2006 Ducret D9/504
D526,565 S * 8/2006 Griffin et al. D9/500
D535,884 S * 1/2007 Davis et al. D9/538
D538,661 S * 3/2007 Wolf et al. D9/516
D547,664 S * 7/2007 Davis et al. D9/538
D568,753 S * 5/2008 Woolf D9/551
D571,214 S * 6/2008 Caszatt D9/516
D580,763 S * 11/2008 Perez D9/500
D588,917 S * 3/2009 Shmagin D9/516
D592,518 S * 5/2009 Faulon D9/539
D592,969 S * 5/2009 Hazelton et al. D9/601
D595,143 S * 6/2009 Hazelton et al. D9/551
D600,122 S * 9/2009 Strasser et al. D9/516

* cited by examiner

Primary Examiner—Stella M Reid
Assistant Examiner—Elizabeth J Oswecki
(74) *Attorney, Agent, or Firm*—Knoble Yoshida & Dunleavy, LLC

(56) **References Cited**

U.S. PATENT DOCUMENTS

D44,100 S * 5/1913 Guidry D9/772
D98,951 S * 3/1936 Lewis D9/777
D166,731 S * 5/1952 Blunt D9/538
D219,262 S * 11/1970 Lambelet D9/500
4,805,788 A 2/1989 Akiho
4,818,575 A 4/1989 Hirata et al.
4,946,053 A 8/1990 Conrad
5,067,622 A 11/1991 Garver et al.
5,178,290 A 1/1993 Ota et al.
5,199,588 A 4/1993 Hayashi
5,222,615 A 6/1993 Ota et al.
5,238,129 A 8/1993 Ota
5,310,068 A 5/1994 Saghri
D419,058 S * 1/2000 Roth et al. D9/668
D455,351 S * 4/2002 Bailey D9/502
D466,021 S * 11/2002 Thierjung et al. D9/538
D466,024 S * 11/2002 Thierjung et al. D9/556
D485,765 S * 1/2004 Thierjung et al. D9/538

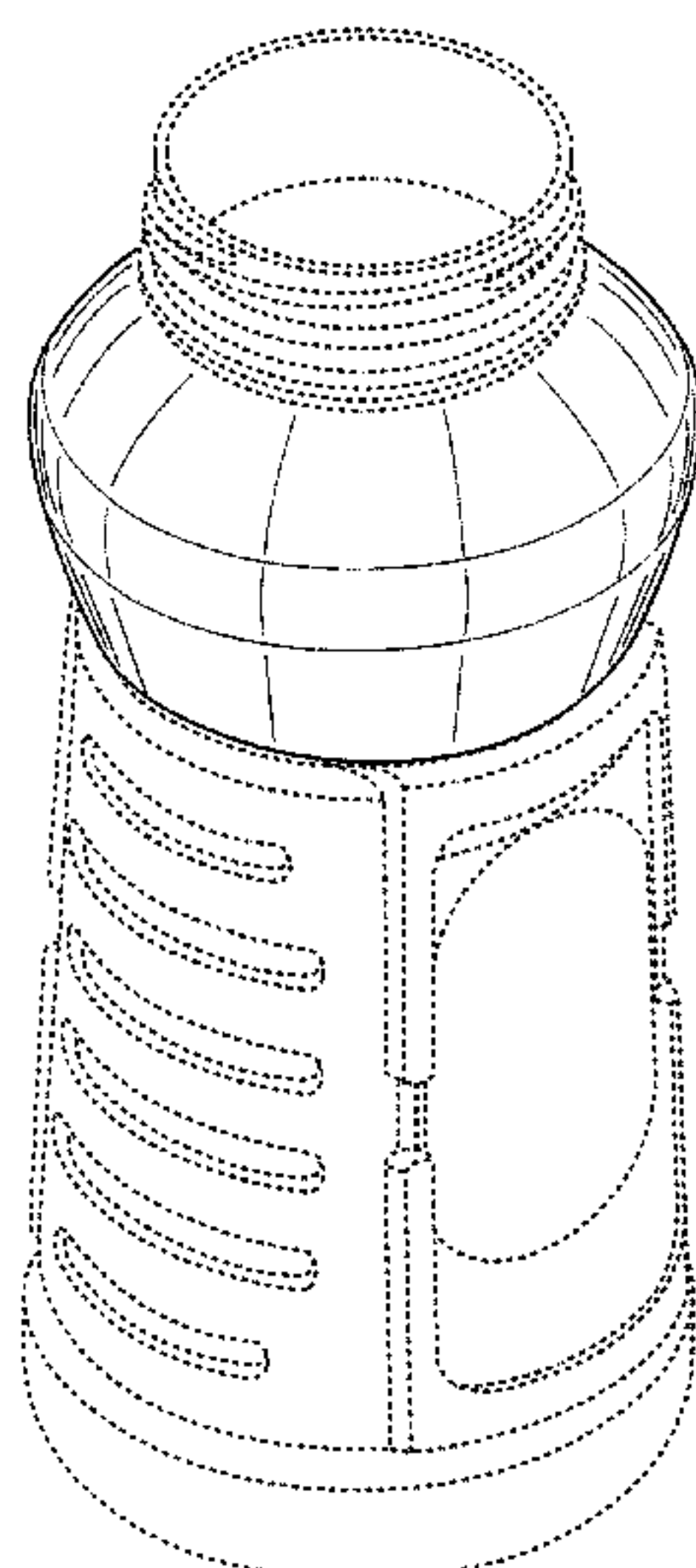
(57) **CLAIM**

The ornamental design for a dome of a container, as shown and described.

DESCRIPTION

FIG. 1 is a perspective view of a dome of a container showing our new design;
FIG. 2 is a front elevational view thereof;
FIG. 3 is a side elevational view thereof, the opposite side elevational view being identical;
FIG. 4 is a rear elevational view thereof;
FIG. 5 is a top plan view thereof; and,
FIG. 6 is a bottom plan view thereof.

1 Claim, 5 Drawing Sheets



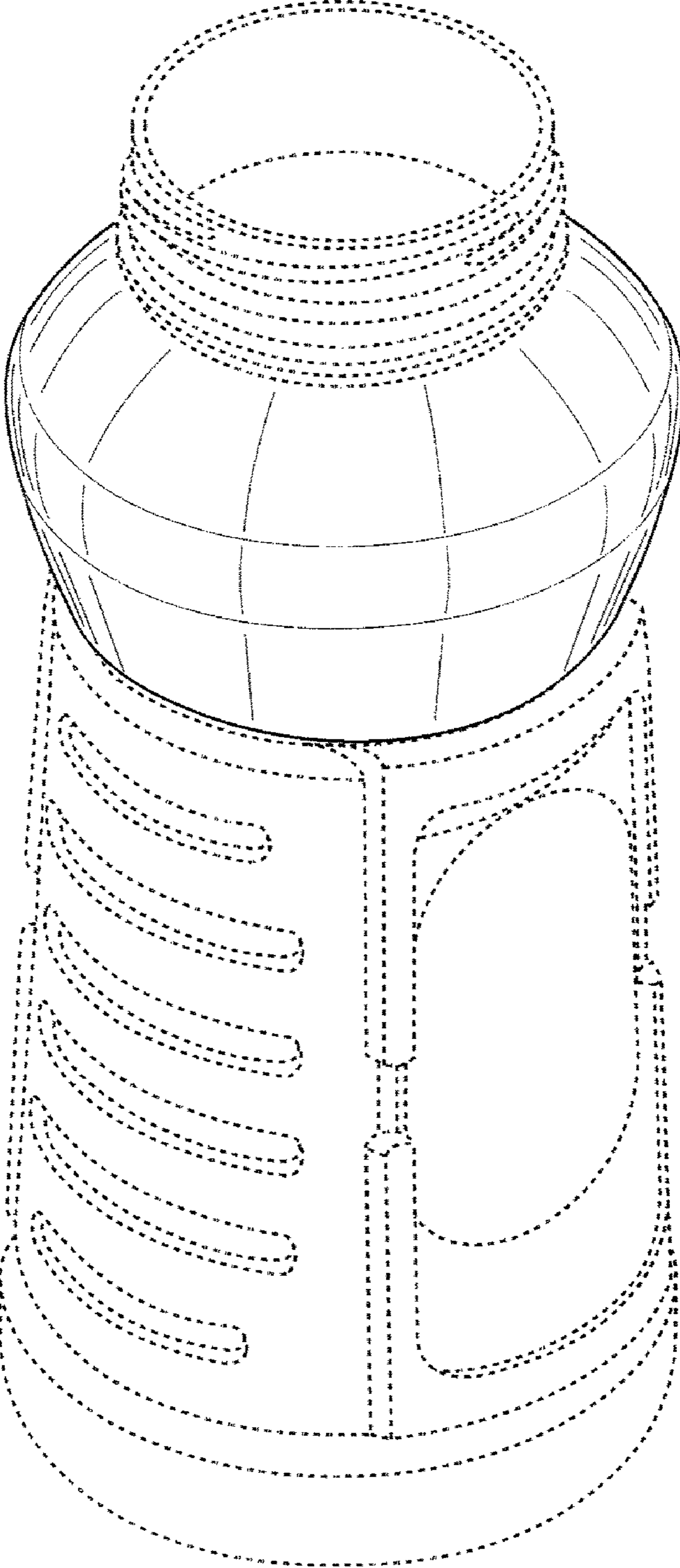


FIG. 1

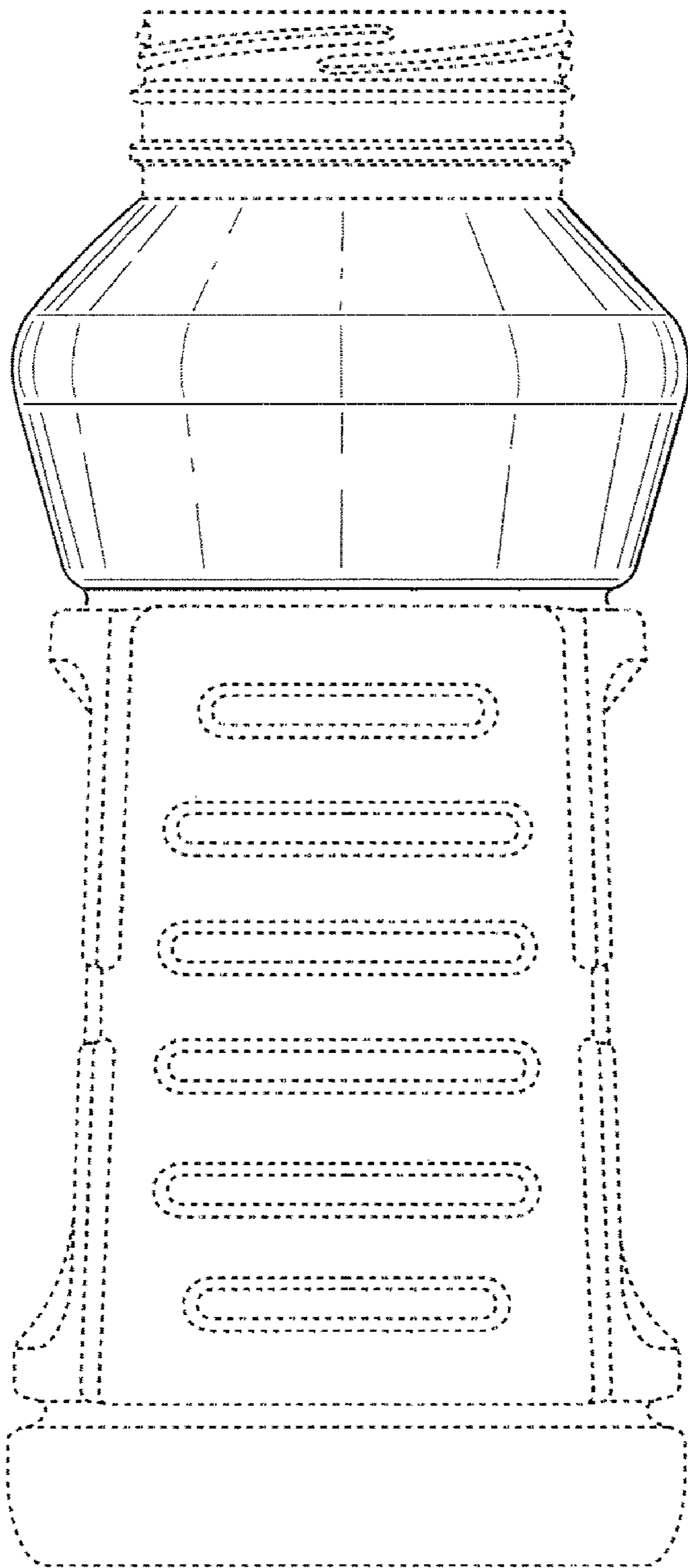


FIG. 2

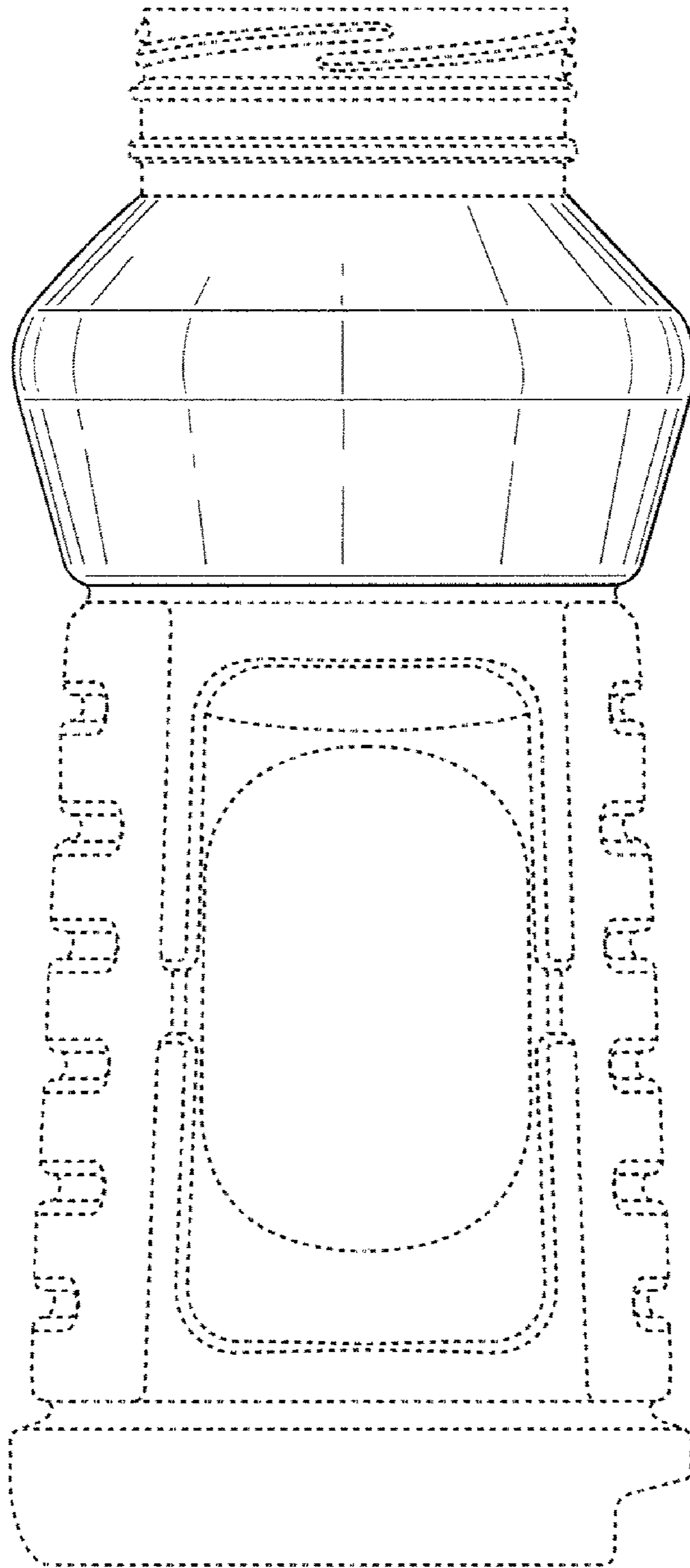


FIG. 3

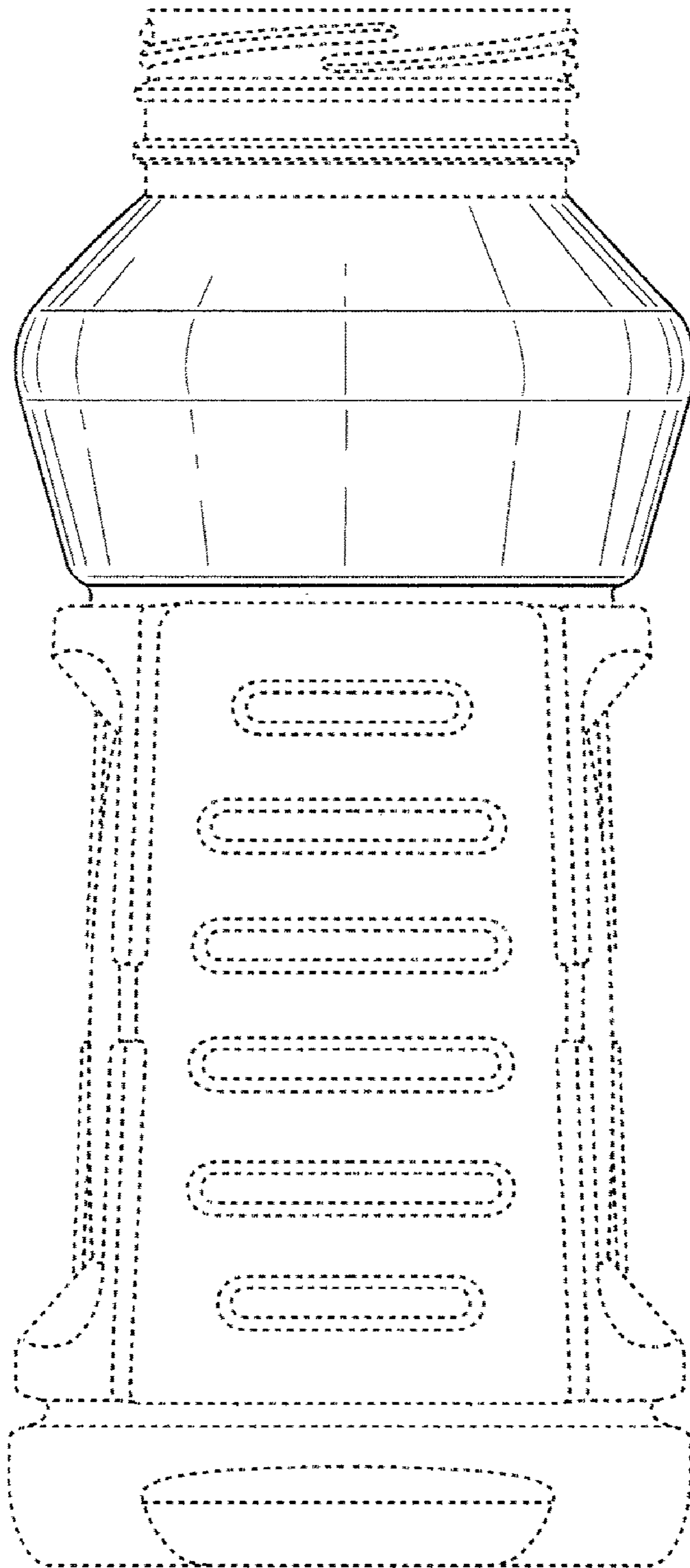


FIG. 4

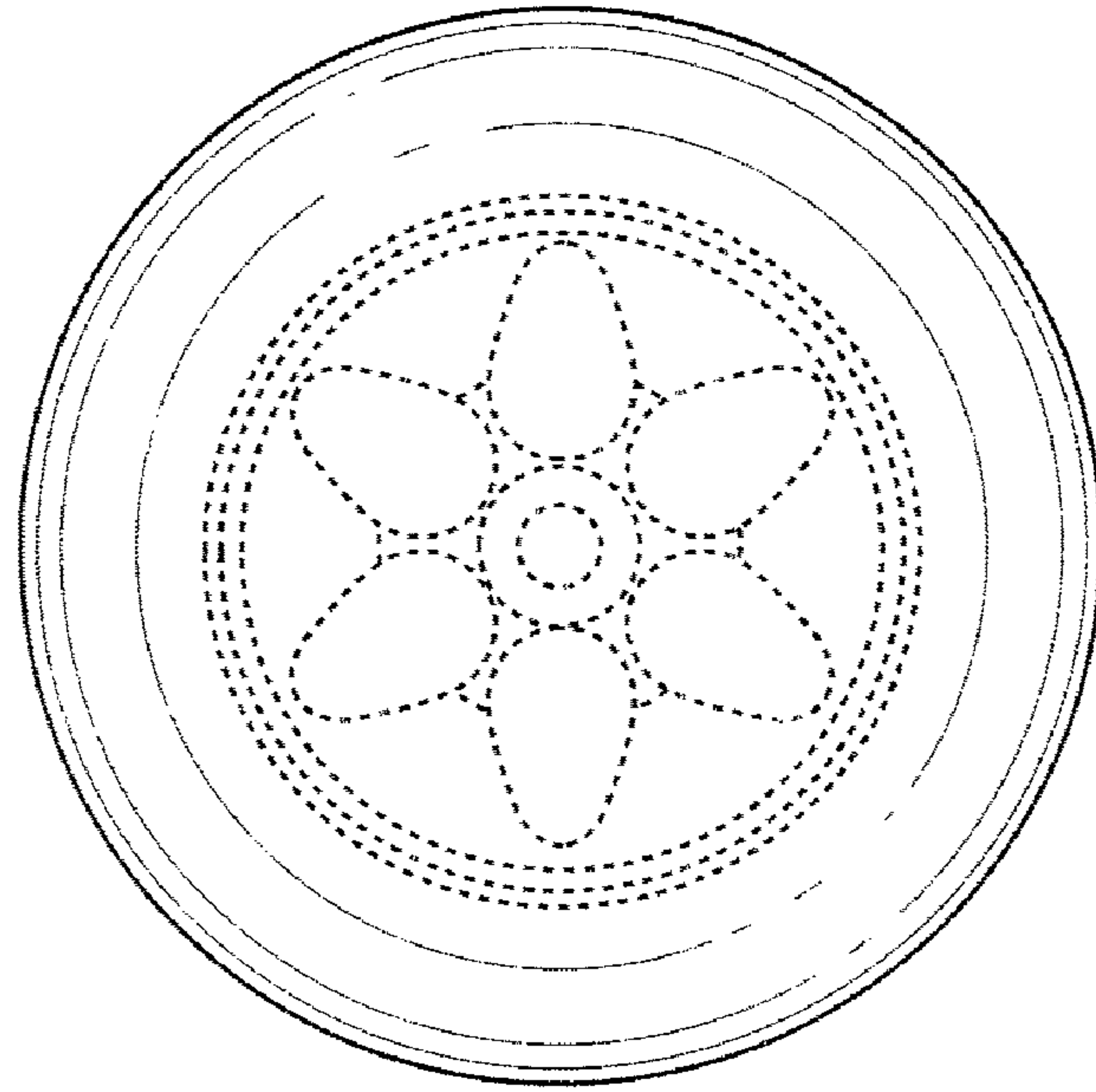


FIG. 5

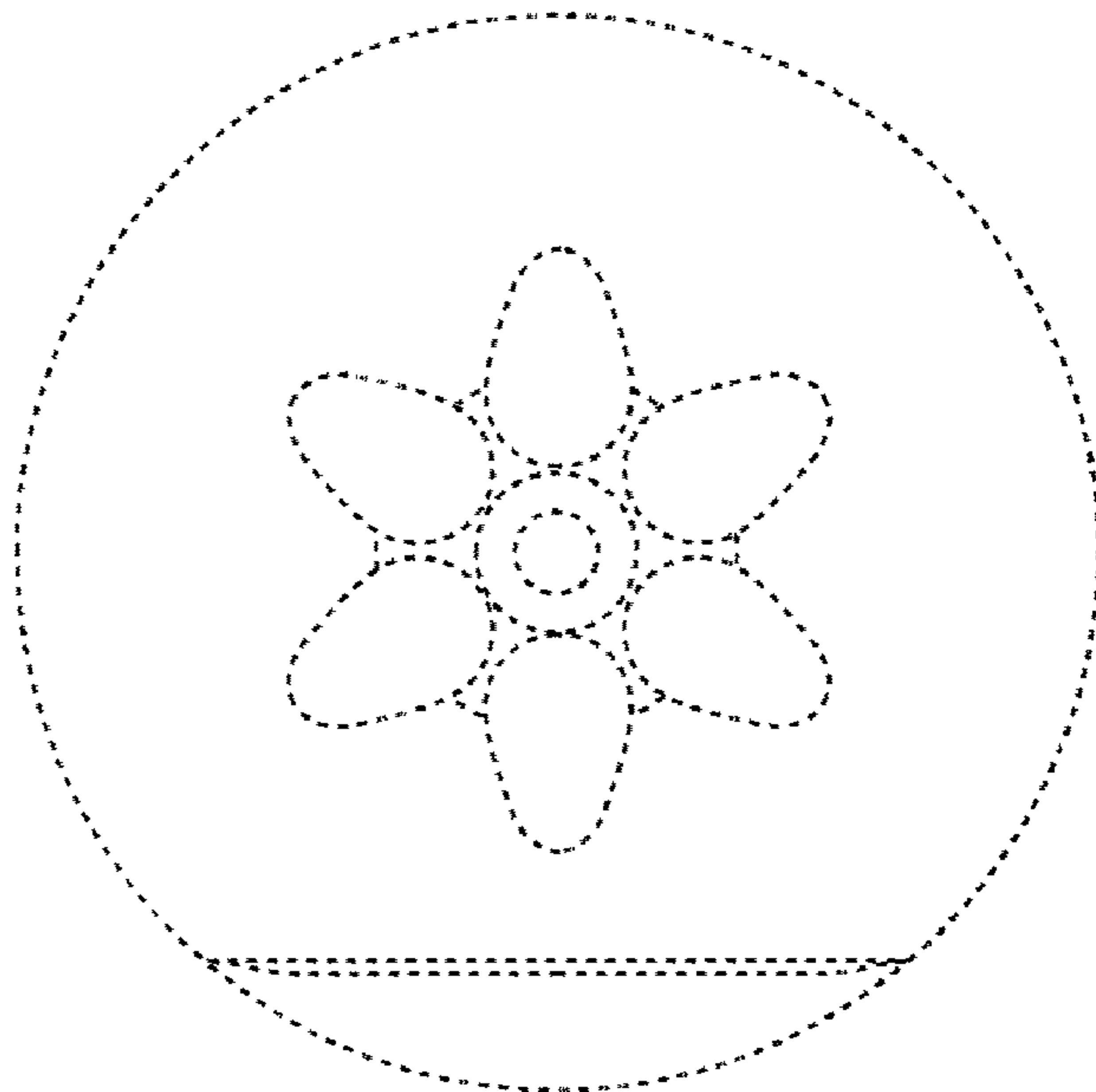


FIG. 6