



US00D611342S

(12) **United States Design Patent**
McAlpine

(10) **Patent No.:** **US D611,342 S**
(45) **Date of Patent:** **** *Mar. 9, 2010**

(54) **CONTAINER**

(76) **Inventor:** **Gilroy Clements McAlpine, c/o**
Chemcraft (Pty) Limited, Factory No. 2,
507 Pretoria Road, Fairlands, Benoni,
1501 (ZA)

(**) **Term:** **14 Years**

(21) **Appl. No.:** **29/273,037**

(22) **Filed:** **Feb. 23, 2007**

(51) **LOC (9) Cl.** **09-03**

(52) **U.S. Cl.** **D9/432**

(58) **Field of Classification Search** D9/430-433,
D9/414-418, 420-429, 560, 737, 756, 631,
D9/636, 640, 642; D3/273, 302, 304, 305,
D3/307, 309-312, 314, 317, 318, 901, 905;
206/421, 454, 457, 775-778, 784, 822; 220/500,
220/523-529, 552, 555; 229/100, 103.3,
229/104-106, 108, 108.1, 109, 110, 111,
229/112, 117.09, 117.12, 117.15, 120, 125.015,
229/160.1, 162.1, 182.1, 215, 247, 406, 407,
229/902, 920, 922, 930, 942, 191, 192; D2/731,
D2/748; D6/396, 407, 629, 633
See application file for complete search history.

(56) **References Cited**

U.S. PATENT DOCUMENTS

1,505,284	A *	8/1924	O'Hare	220/6
1,573,112	A *	2/1926	Gerding et al.	217/69
2,024,075	A *	12/1935	Swaim	229/120.33
2,036,460	A *	4/1936	Conescu	229/143
2,494,234	A *	1/1950	Frankenstein	229/125.19
2,525,838	A *	10/1950	Smith et al.	217/16
2,615,613	A *	10/1952	Reeser	229/117.13

(Continued)

FOREIGN PATENT DOCUMENTS

WO DM-060296 * 5/2002

(Continued)

OTHER PUBLICATIONS

Sturdi Letter/ Legal A4 with Drawer, 2 catalog pages at: http://catalog.sturditm.com/viewProduct.cfm?item_id=730732 found in internet search of Chemcraft and Sturdi packaging on Aug. 17, 2009.*

(Continued)

Primary Examiner—Robert M Spear

Assistant Examiner—Karen Acker

(74) *Attorney, Agent, or Firm*—Ostrolenk Faber LLP

(57) **CLAIM**

The ornamental design for a container, as shown and described.

DESCRIPTION

FIG. 1 is an isometric view of a container, showing my new design;

FIG. 2 is an isometric view with the end in an open position;

FIG. 3 is a top plan view of the container of FIG. 1;

FIG. 4 is a bottom plan view of the container of FIG. 1;

FIG. 5 is one end elevation view of the container of FIG. 1;

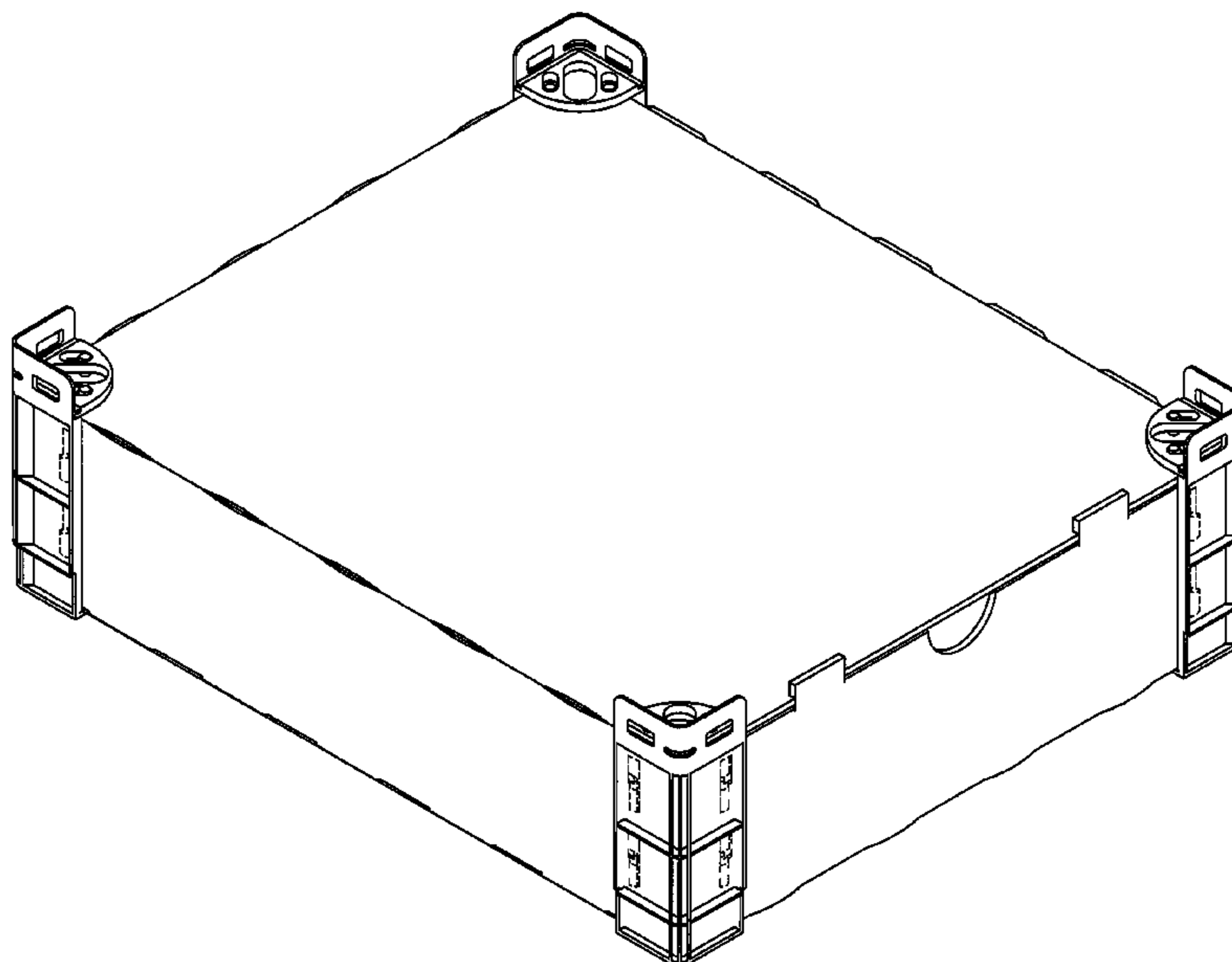
FIG. 6 is an opposite end elevation view of the container of FIG. 1;

FIG. 7 is a side elevation view of the container of FIG. 1; and,

FIG. 8 is an opposite side end elevation view of the container of FIG. 1.

The broken line is included for the purpose of illustrating unclaimed portions of the article, and form no part of the claimed design.

1 Claim, 8 Drawing Sheets



US D611,342 S

Page 2

U.S. PATENT DOCUMENTS

2,738,564 A * 3/1956 Guinane 432/259
3,184,136 A * 5/1965 Forbes, Jr. 206/586
3,713,579 A * 1/1973 Chaffers 206/509
3,949,931 A * 4/1976 Hall 229/102
4,120,444 A * 10/1978 Gray 229/198.1
4,189,087 A * 2/1980 Dlugopolski 229/147
4,236,664 A * 12/1980 Hartelmuller 229/191
4,341,338 A * 7/1982 Arnold 229/122.21
4,436,243 A * 3/1984 Nason et al. 229/120.17
4,550,853 A * 11/1985 Grati 229/122
4,809,851 A * 3/1989 Oestreich et al. 206/599
D323,294 S * 1/1992 Williams D9/432
D336,427 S * 6/1993 Mainiero D9/423
D339,062 S * 9/1993 Williams D9/432
D345,847 S * 4/1994 Schuchard D3/305
5,638,973 A * 6/1997 Dewey et al. 220/4.33
D383,906 S * 9/1997 Lev-Ran D3/314
5,967,533 A * 10/1999 Alexander 280/47.35
5,996,828 A * 12/1999 Cheyn 220/4.33
6,168,073 B1 * 1/2001 Towle 229/122
D441,644 S * 5/2001 Pero et al. D9/456
6,241,148 B1 * 6/2001 Schwimmer 229/122.21
6,427,907 B1 * 8/2002 Espinoza et al. 229/122
6,431,436 B1 * 8/2002 Evers 229/120.01
D466,690 S * 12/2002 Walsh D34/38

D488,620 S * 4/2004 McAlpine et al. D3/318
6,732,858 B1 * 5/2004 Chang Ou 206/278
6,749,077 B1 * 6/2004 McAlpine et al. 220/4.29
D493,303 S * 7/2004 Perella et al. D6/446
D502,647 S * 3/2005 McAlpine et al. D9/432
D511,248 S * 11/2005 Premper D3/321
7,124,890 B2 * 10/2006 McLeod et al. 206/509
7,229,002 B1 * 6/2007 Burch et al. 229/120
7,249,403 B2 * 7/2007 Davis et al. 27/27
7,249,674 B2 * 7/2007 Mu et al. 206/278.1
D594,657 S * 6/2009 McAlpine D3/273
2005/0082357 A1 * 4/2005 McAlpine et al. 229/198.1
2006/0273144 A1 * 12/2006 Chen 229/122
2008/0257897 A1 * 10/2008 McAlpine et al. 220/652

FOREIGN PATENT DOCUMENTS

WO DM-061376 * 8/2002
WO WO 3051724 A1 * 6/2003
WO WO 2007052215 A1 * 5/2007
ZA 200508804 * 11/2003

OTHER PUBLICATIONS

A4 Sturdi Range, pp. 2 and 5 of 6 page download from:<http://catalog.sturditm.com> found in internet search of Chemcraft and Sturdi packaging on Aug. 17, 2009.*

* cited by examiner

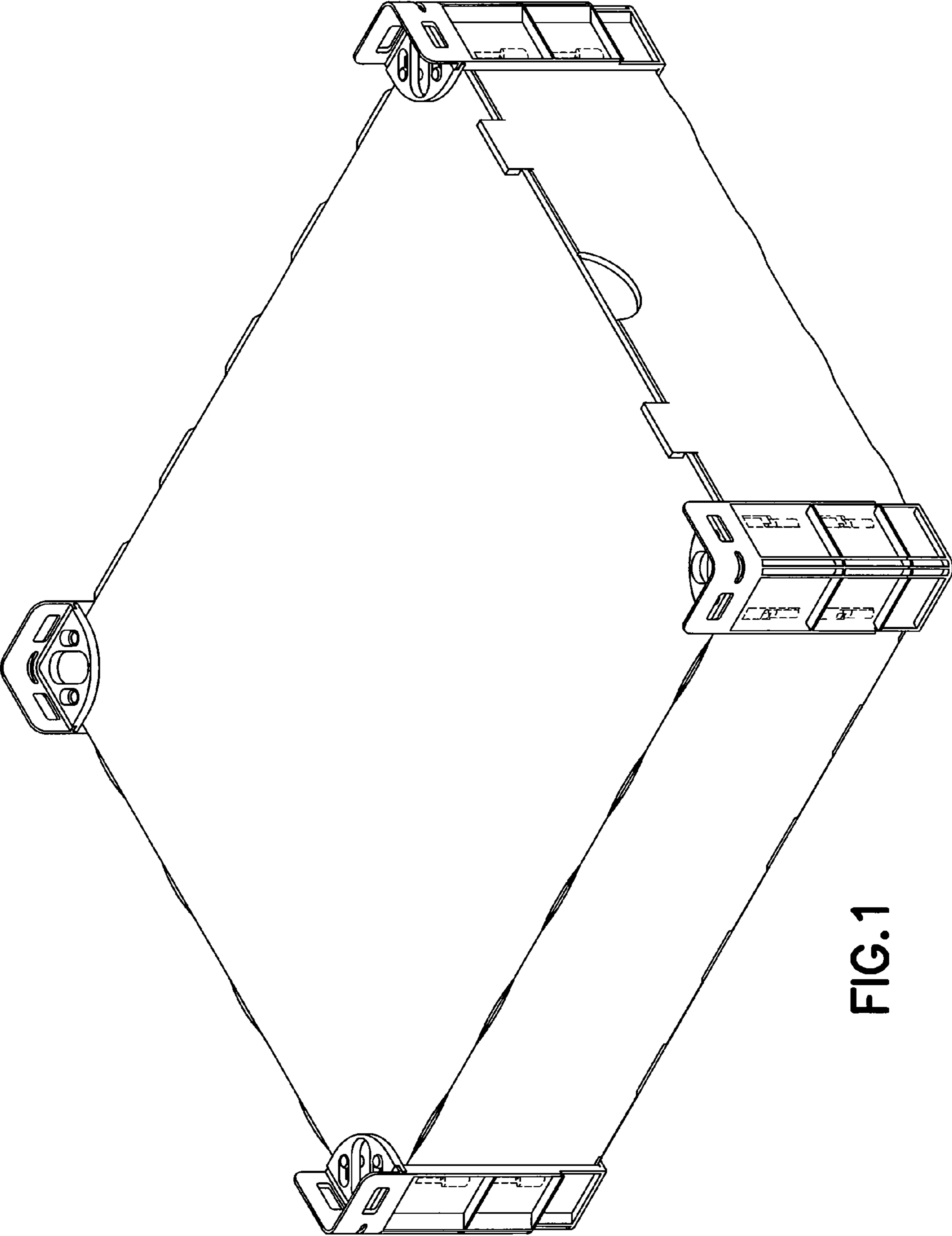


FIG. 1

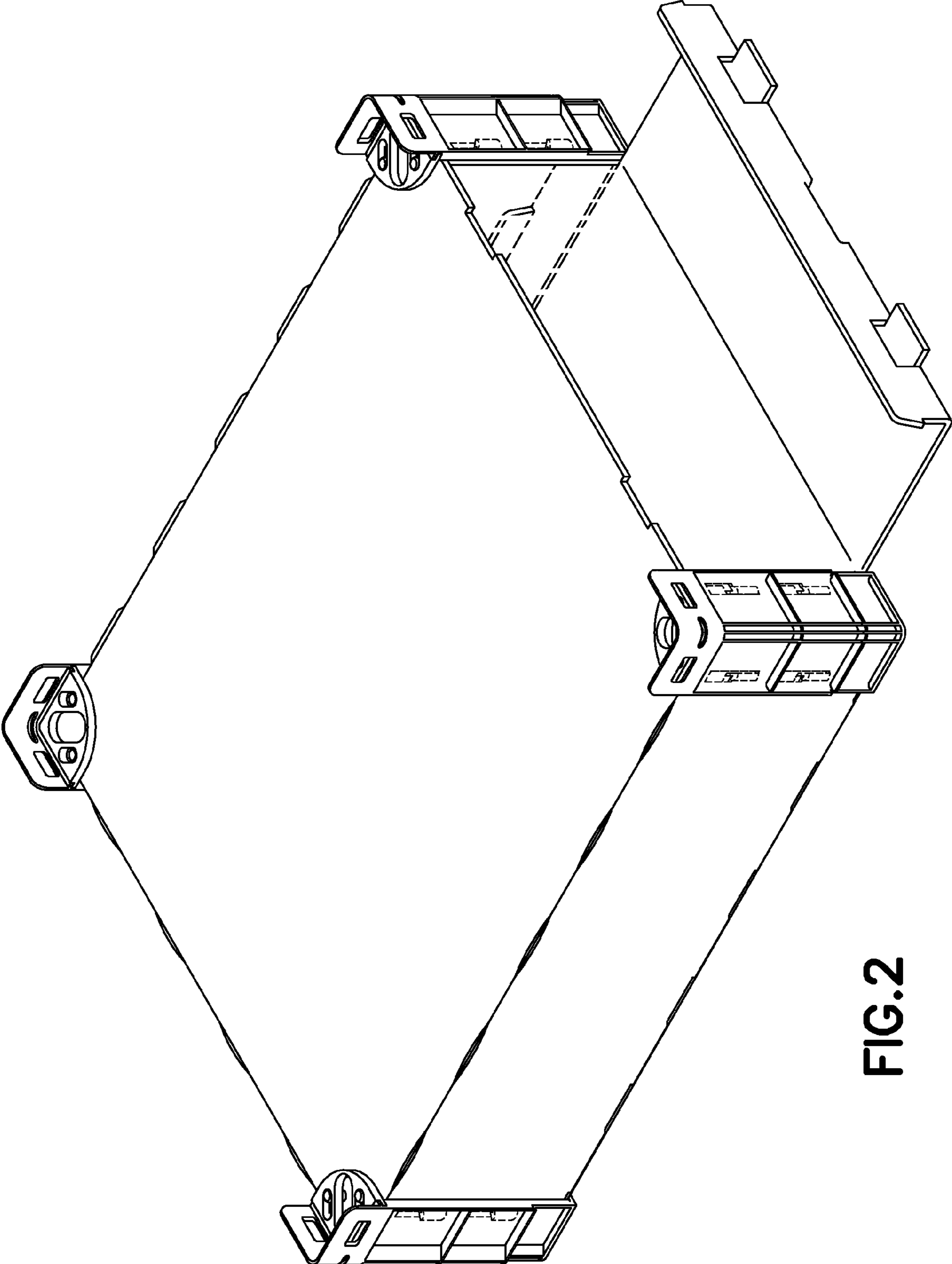


FIG.2

FIG. 3

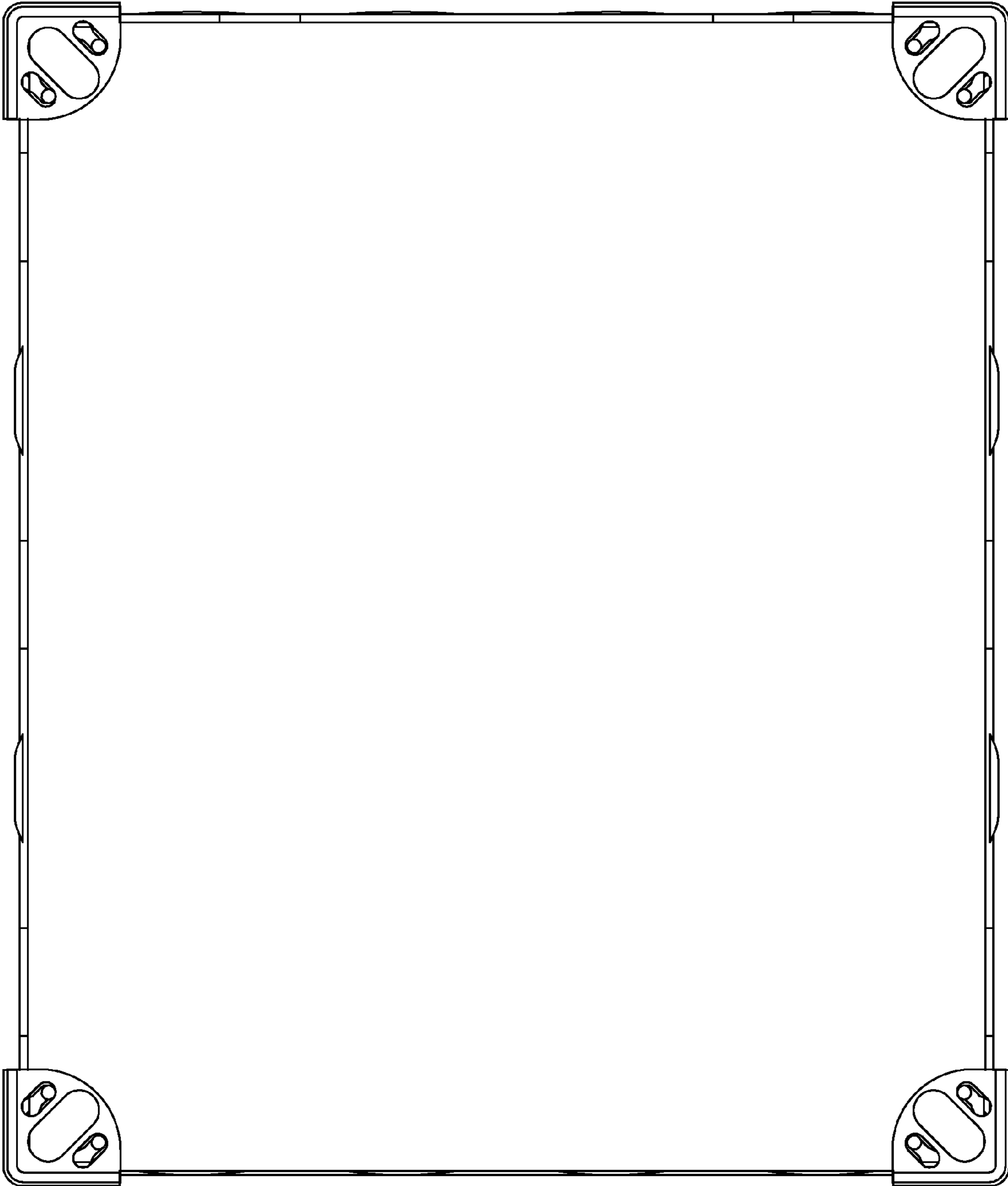
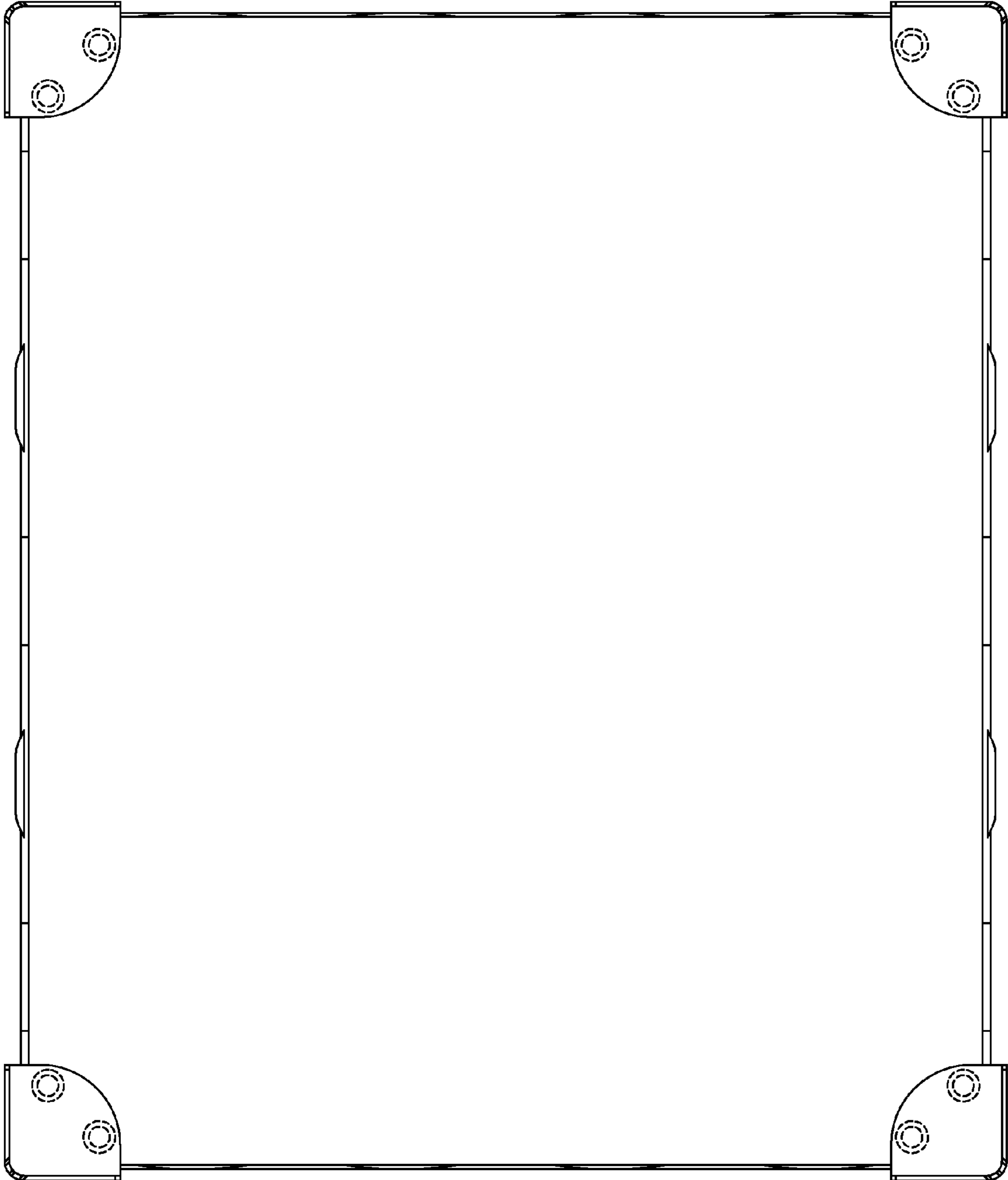


FIG. 4



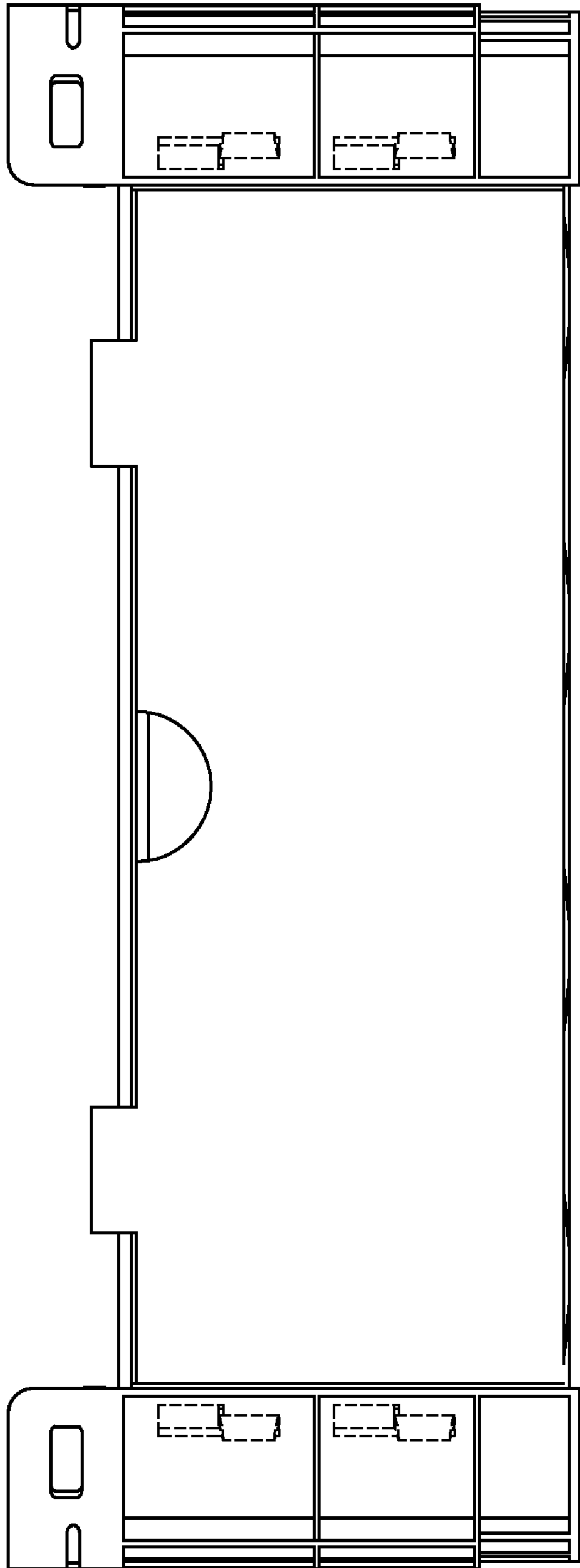


FIG. 5

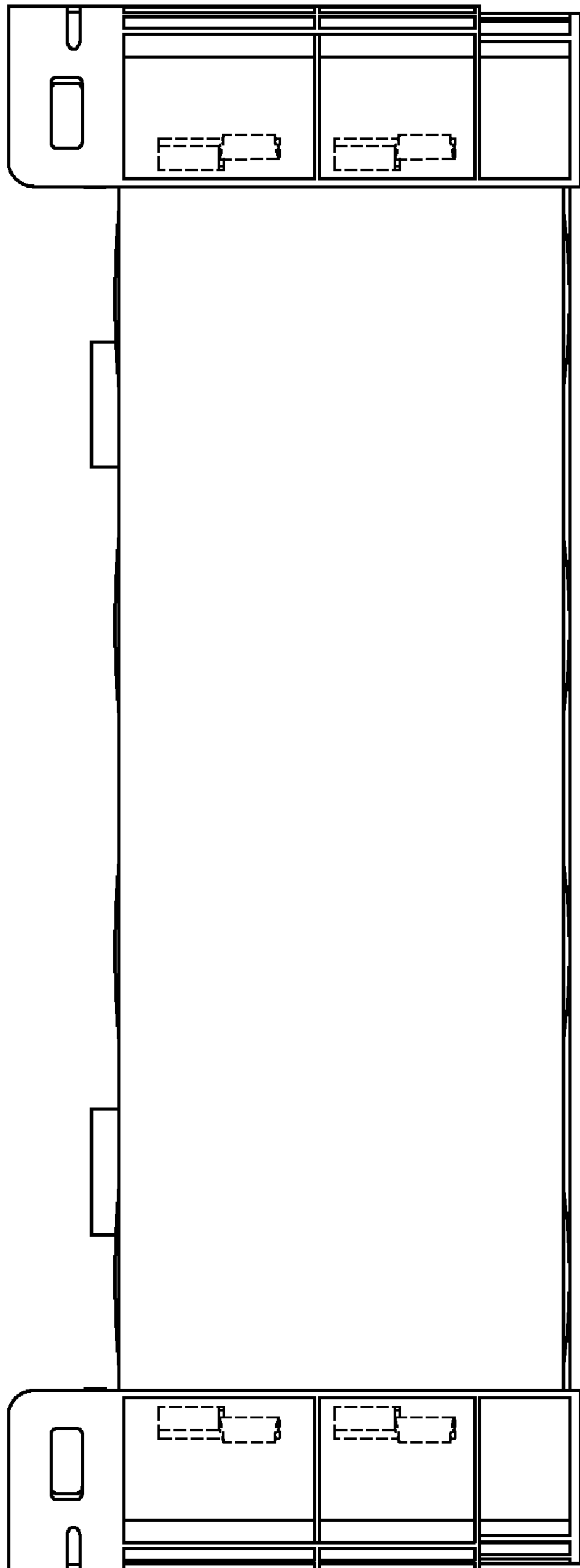


FIG. 6

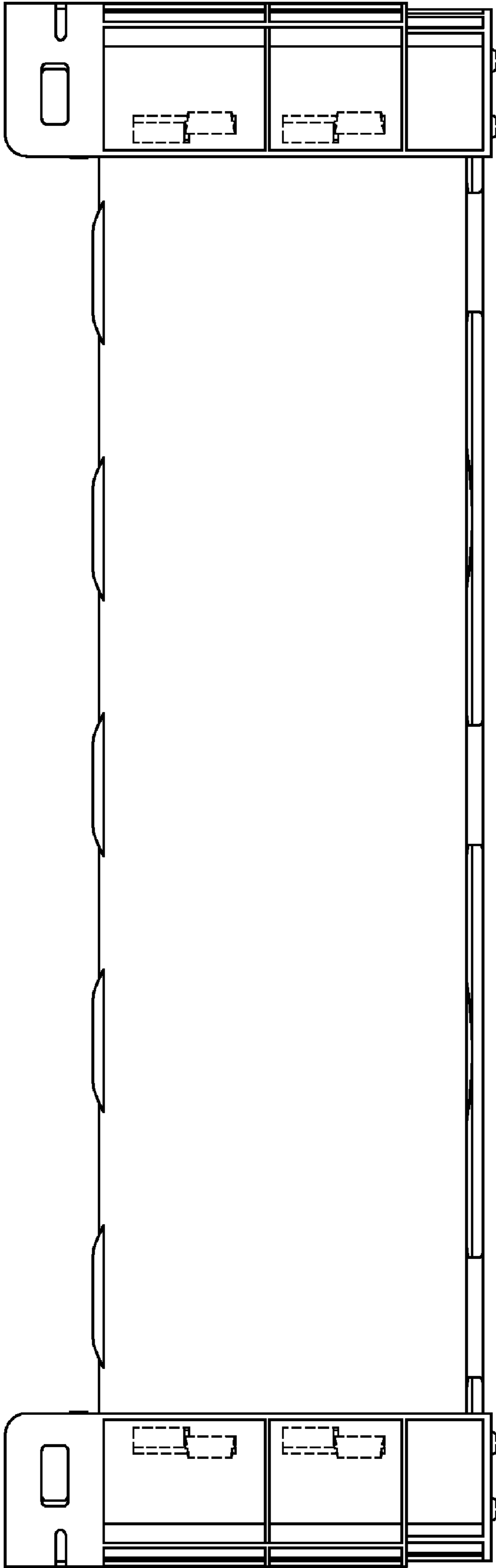


FIG. 7

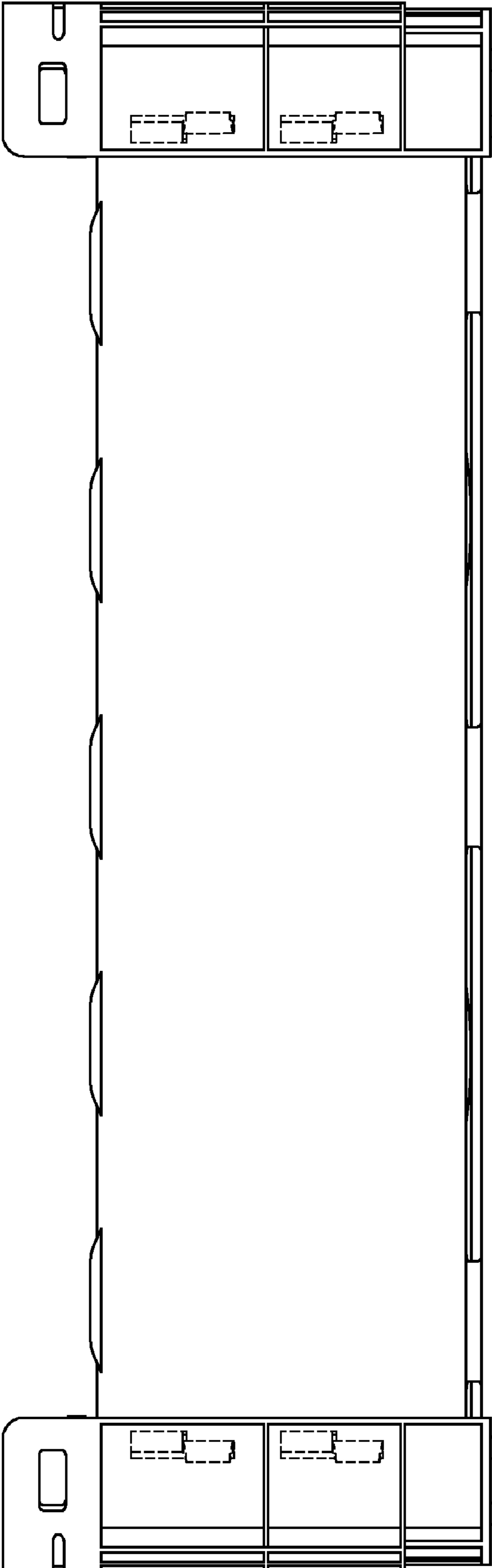


FIG. 8