



US00D611340S

(12) **United States Design Patent**  
**Bizzell**

(10) **Patent No.:** **US D611,340 S**  
(45) **Date of Patent:** **\*\* Mar. 9, 2010**

(54) **SERVING TRAY**

(75) Inventor: **Daniel Lee Bizzell**, Davidson, NC (US)

(73) Assignee: **Edison Nation, LLC**, Charlotte, NC (US)

(\*\*) Term: **14 Years**

(21) Appl. No.: **29/296,774**

(22) Filed: **Oct. 27, 2007**

D225,050 S \* 11/1972 Cannell ..... D9/429  
D230,001 S 1/1974 Wright  
3,811,594 A 5/1974 Paulucci  
D232,294 S 8/1974 Christian et al.  
D250,315 S \* 11/1978 Otto ..... D7/541  
4,351,164 A 9/1982 Christiani  
D285,638 S 9/1986 Trivison  
D291,042 S 7/1987 Fahey et al.  
4,732,274 A 3/1988 Bouton

**Related U.S. Application Data**

(63) Continuation of application No. 11/464,399, filed on Aug. 14, 2006.

(Continued)

(51) **LOC (9) Cl.** ..... **09-03**

(52) **U.S. Cl.** ..... **D9/429; D7/540**

(58) **Field of Classification Search** ..... D7/550.1,  
D7/565, 566, 570, 584, 586, 588, 554.2, 545,  
D7/540, 505, 509, 510, 507; D9/431, 432,  
D9/429; 220/23.83, 657, 654, 771, 904,  
220/574, 212, 574.4, 577, 561, 503, 575;  
206/307, 308.1, 308.3, 504, 564, 440, 561;  
425/623, 459

See application file for complete search history.

**OTHER PUBLICATIONS**

IDS Submission Letter including Exhibit A (5 pages of photographs and illustrations) filed concurrently herewith.

(Continued)

*Primary Examiner*—Charles A Rademaker  
(74) *Attorney, Agent, or Firm*—Tillman Wright, PLLC; Chad D. Tillman; James D. Wright

(56) **References Cited**

**U.S. PATENT DOCUMENTS**

948,434 A 2/1910 Scoot  
D67,011 S 5/1925 Clarke  
1,595,356 A 8/1926 Moseman  
1,858,728 A 5/1932 Creighton  
2,322,665 A 6/1943 Ryan  
D154,224 S 6/1949 Tweet  
D160,688 S 10/1950 Brock  
2,781,651 A 2/1957 Cutler  
D185,911 S 8/1959 Chadbourne et al.  
2,897,974 A 8/1959 Cook  
2,951,610 A 9/1960 Smalley  
D206,762 S 1/1967 Kirwan  
D218,804 S \* 9/1970 Doubleday ..... D9/429  
D221,883 S 9/1971 Cash

(57) **CLAIM**

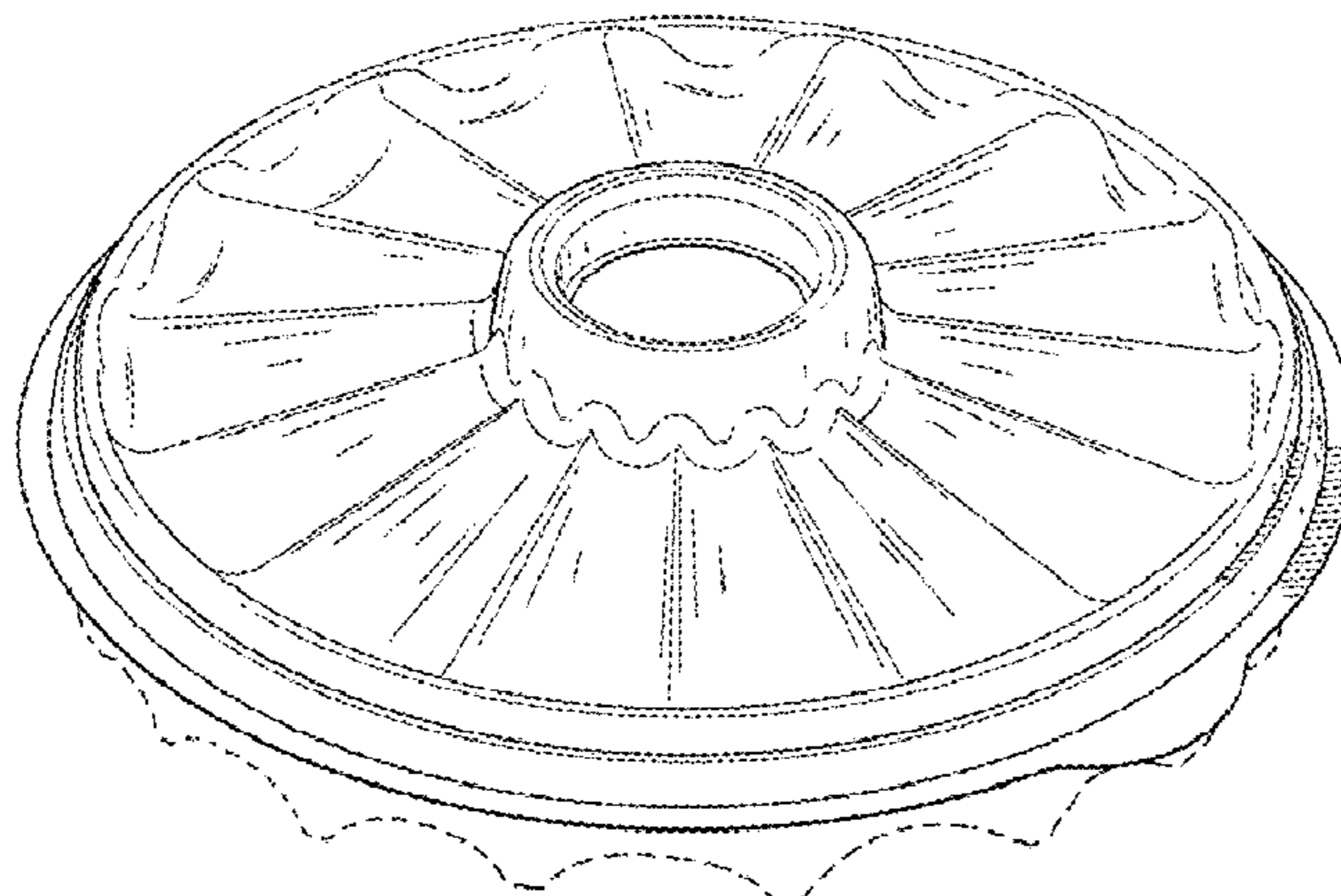
The ornamental design for a serving tray, as shown and described.

**DESCRIPTION**

FIG. 1 is a top perspective view of a serving tray showing my new design, the side opposite being a mirror image expect for the protruding portion along the outer perimeter.

The broken lines shown in the drawings represent structural environment the forms no part of the design for which protection is claimed herein.

**1 Claim, 1 Drawing Sheet**



# US D611,340 S

Page 2

## U.S. PATENT DOCUMENTS

4,865,219	A	9/1989	Logan et al.				
D304,658	S	11/1989	Mattei				
D312,026	S	11/1990	Antoni et al.				
D346,554	S	* 5/1994	Krupa .....	D9/429			
D352,204	S	11/1994	Hayes et al.				
D364,090	S	* 11/1995	Krupa .....	D9/429			
D366,395	S	* 1/1996	Wyatt et al. ....	D7/552.2			
D373,954	S	* 9/1996	Wolff .....	D9/429			
5,593,062	A	1/1997	Martin				
D399,095	S	10/1998	Schmidt				
D401,810	S	12/1998	Swift				
5,894,944	A	4/1999	Swift				
D415,025	S	* 10/1999	McCann .....	D9/429			
D420,285	S	* 2/2000	Sagan et al. ....	D9/429			
6,042,856	A	3/2000	Sagan et al.				
D426,110	S	6/2000	Schmidt				
6,168,813	B1	1/2001	Blazevich				
D449,966	S	11/2001	DeMars				
D450,580	S	* 11/2001	Littlejohn et al. ....	D9/429			
D455,652	S	* 4/2002	Wyslowsky et al. ....	D9/429			
D460,897	S	7/2002	Leuenberger				
D461,099	S	8/2002	Leuenberger				
D467,497	S	* 12/2002	Liu et al. ....	D9/429			
D468,202	S	* 1/2003	Chou .....	D9/429			
6,514,548	B2	2/2003	Lin				
6,550,630	B1	4/2003	Krupa				
D489,972	S	5/2004	Lin				
6,783,017	B2	8/2004	Griffin				
D496,831	S	10/2004	Strahota et al.				
D511,273	S	11/2005	Hadeler				
D527,954	S	9/2006	Roth				
D546,672	S	* 7/2007	Chou .....	D9/429			
D572,540	S	7/2008	Shew et al.				
D572,541	S	7/2008	Shew et al.				
D573,847	S	7/2008	Bizzell et al.				
D579,274	S	10/2008	Bizzell				
D581,781	S	* 12/2008	Enriquez .....	D9/429			
2007/0062965	A1	3/2007	Anderson et al.				
2008/0029426	A1	2/2008	Anderson et al.				
2008/0029427	A1	2/2008	Anderson et al.				
2008/0083759	A1	4/2008	Anderson et al.				
2008/0083760	A1	4/2008	Anderson et al.				
2008/0110914	A1	5/2008	Anderson et al.				
2008/0121550	A1	5/2008	Anderson et al.				
2008/0121551	A1	5/2008	Anderson et al.				
2008/0121552	A1	5/2008	Anderson et al.				
2008/0124440	A1	5/2008	Anderson et al.				
2008/0128313	A1	6/2008	Anderson et al.				

## OTHER PUBLICATIONS

Bizzell U.S. Appl. No. 29/296,773, filed Oct. 27, 2007.  
Bizzell U.S. Appl. No. 29/295,784, filed Oct. 5, 2007.  
Bizzell U.S. Appl. No. 29/296,775, filed Oct. 27, 2007.  
Bizzell U.S. Appl. No. 29/295,927, filed Oct. 10, 2007.  
Bizzell U.S. Appl. No. 29/295,925, filed Oct. 10, 2007.

\* cited by examiner

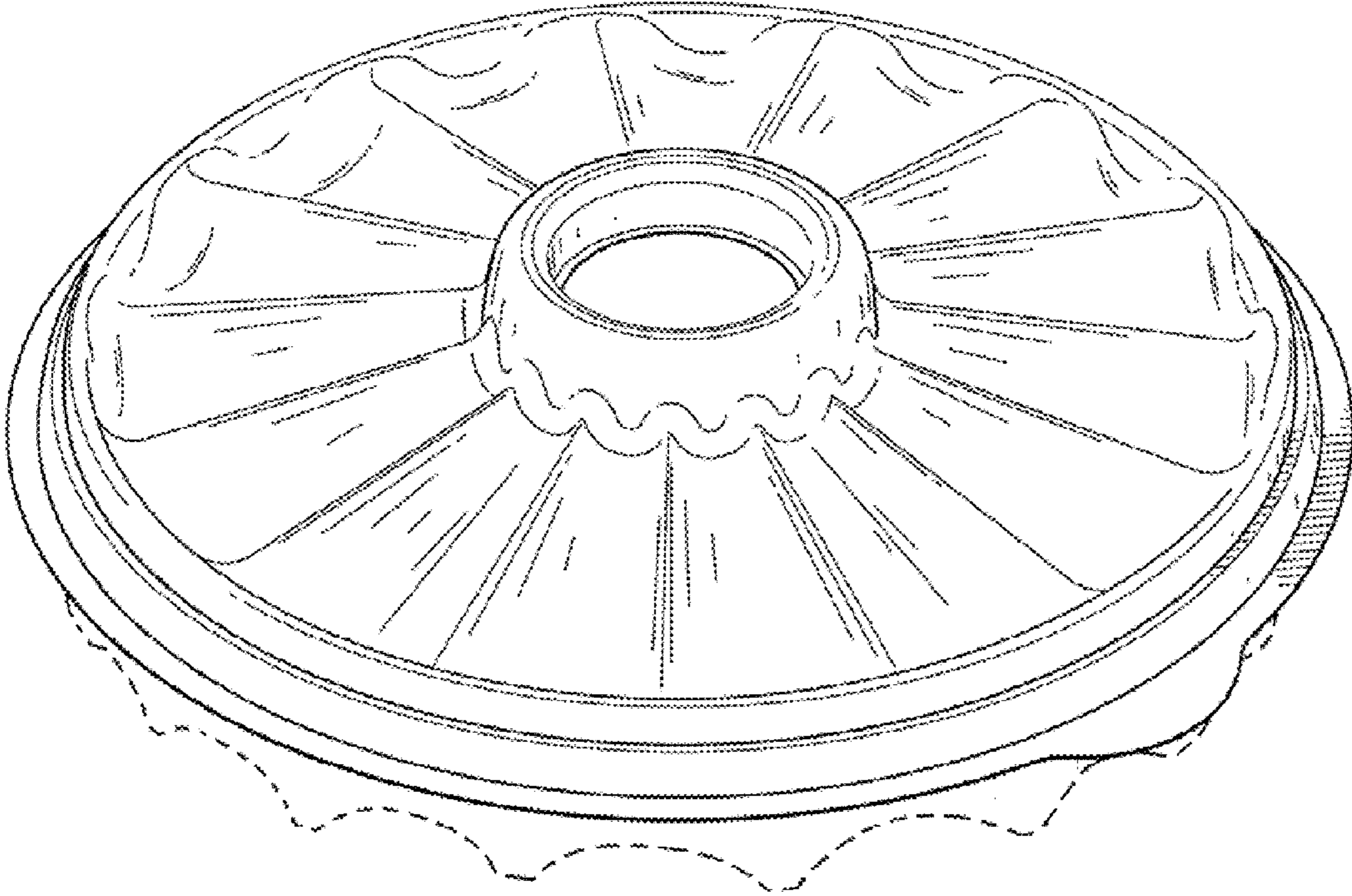


FIG. 1