



US00D611337S

(12) **United States Design Patent**
Hasegawa

(10) **Patent No.:** **US D611,337 S**
(45) **Date of Patent:** **** Mar. 9, 2010**

(54) **STAY FOR FURNITURE**

(75) Inventor: **Manabu Hasegawa**, Tokyo (JP)

(73) Assignee: **Sugatsune Kogyo Co., Ltd.**, Tokyo (JP)

(**) Term: **14 Years**

(21) Appl. No.: **29/316,122**

(22) Filed: **Aug. 26, 2009**

(30) **Foreign Application Priority Data**

Feb. 26, 2009 (JP) 2009-004183

(51) **LOC (9) Cl.** **08-09**

(52) **U.S. Cl.** **D8/402**

(58) **Field of Classification Search** D8/349,
D8/354, 355, 382, 395, 400, 402, 499; 16/82,
16/85, 86 C, 286, 289.91, 297, 306, 319,
16/321, 335, 339, 374, DIG. 17; 49/206,
49/386; 248/291.1, 292.13, 352, 688, 319.2,
248/325

See application file for complete search history.

(56) **References Cited**

U.S. PATENT DOCUMENTS

3,259,936 A * 7/1966 Sheridan 16/49
D459,983 S * 7/2002 Hayakawa D8/402
D554,490 S * 11/2007 Jeon D8/499
2006/0048339 A1 * 3/2006 Yamaguchi 16/369

2007/0084017 A1 * 4/2007 Takamatsu et al. 16/382
2008/0042449 A1 * 2/2008 Yamaguchi 292/152

* cited by examiner

Primary Examiner—Cathron C Brooks

Assistant Examiner—Barbara Fox

(74) *Attorney, Agent, or Firm*—Osha • Liang LLP

(57) **CLAIM**

The ornamental design for a stay for furniture, as shown and described.

DESCRIPTION

FIG. 1 is a perspective view of the front, left and top of a stay for furniture showing my new design;

FIG. 2 is a front view thereof;

FIG. 3 is a rear view thereof;

FIG. 4 is a top plan view thereof;

FIG. 5 is a bottom view thereof;

FIG. 6 is a left side view thereof;

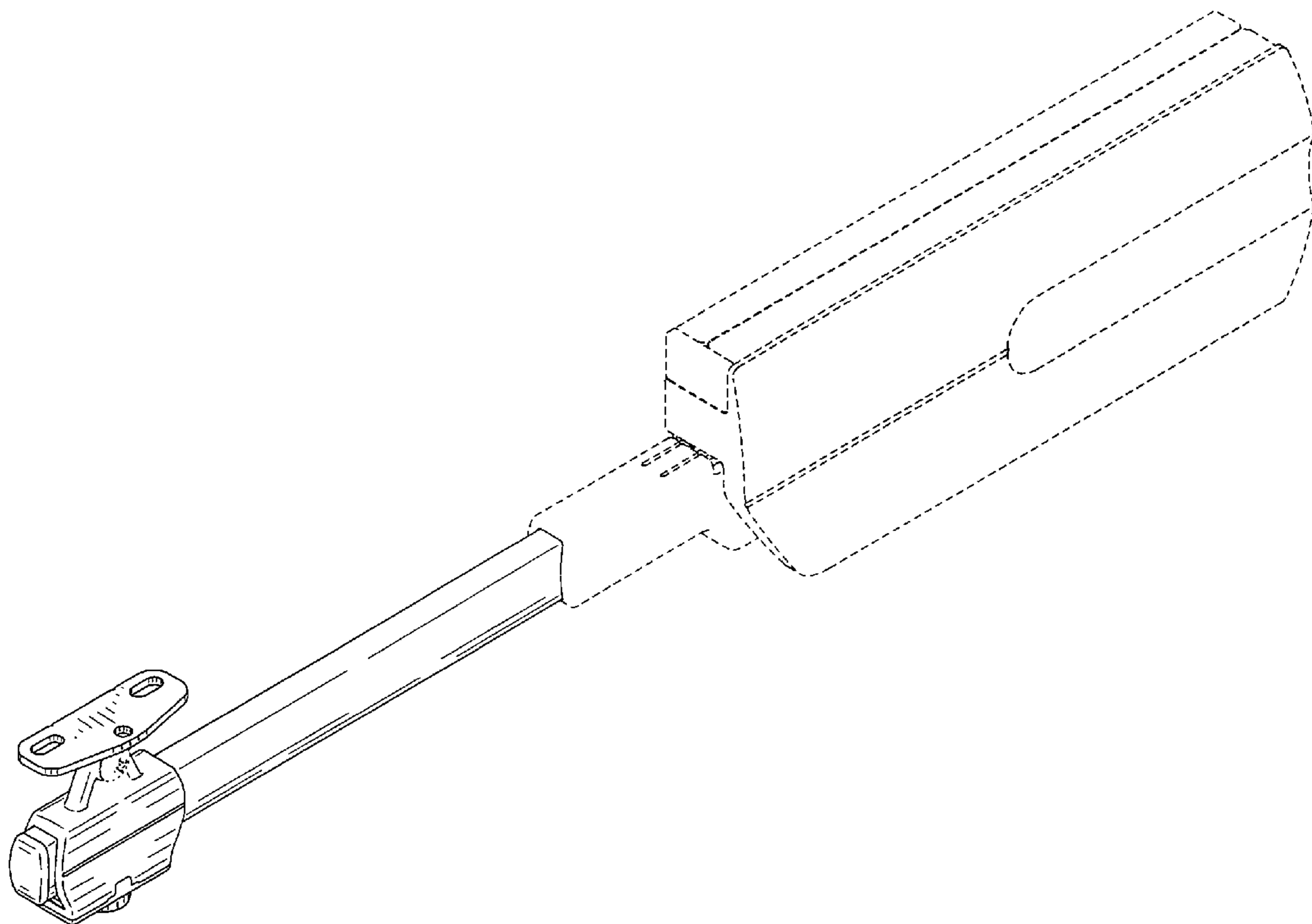
FIG. 7 is right side view thereof;

FIG. 8 is an enlarged left side view thereof; and,

FIG. 9 is an enlarged right side view thereof.

The broken lines shown in the drawings are for the purpose of illustrating unclaimed portions of the stay for furniture and form no part of the claimed design.

1 Claim, 5 Drawing Sheets



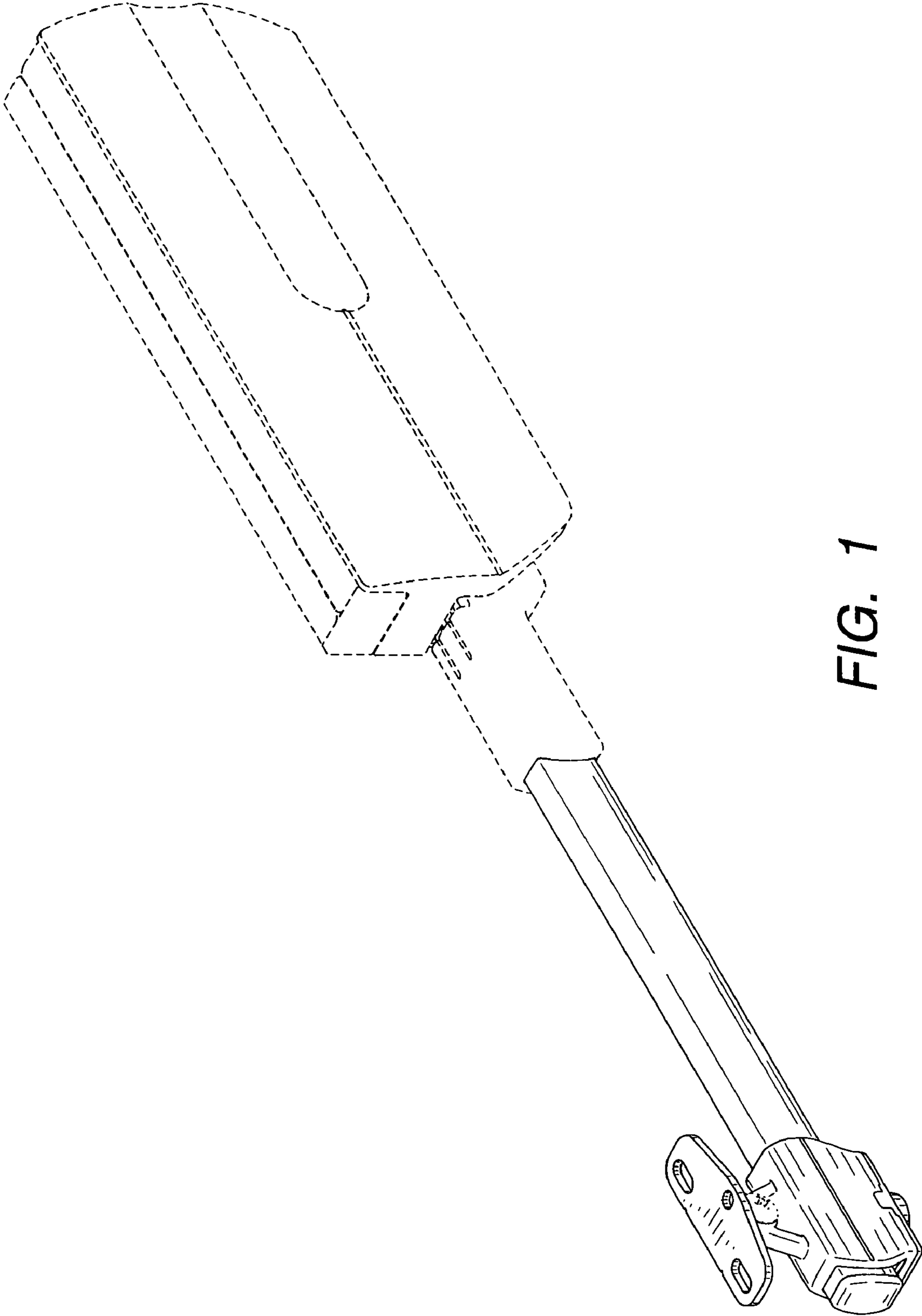


FIG. 1

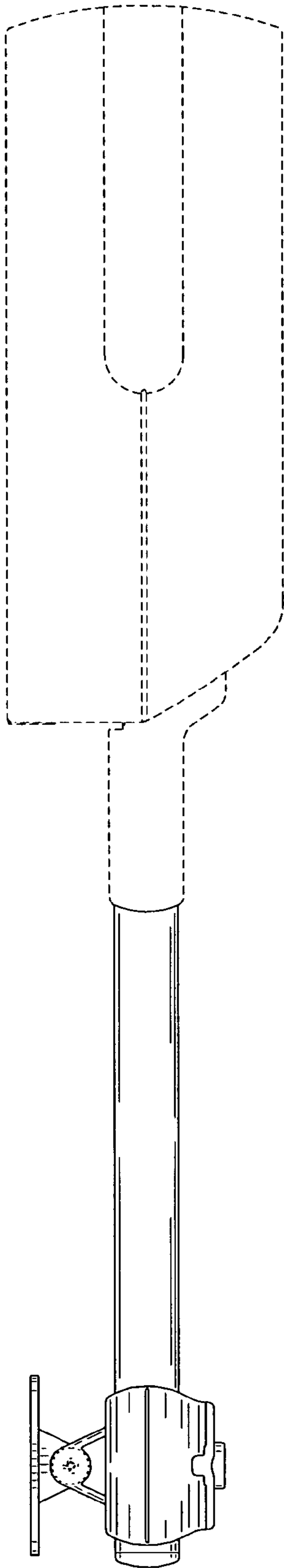


FIG. 2

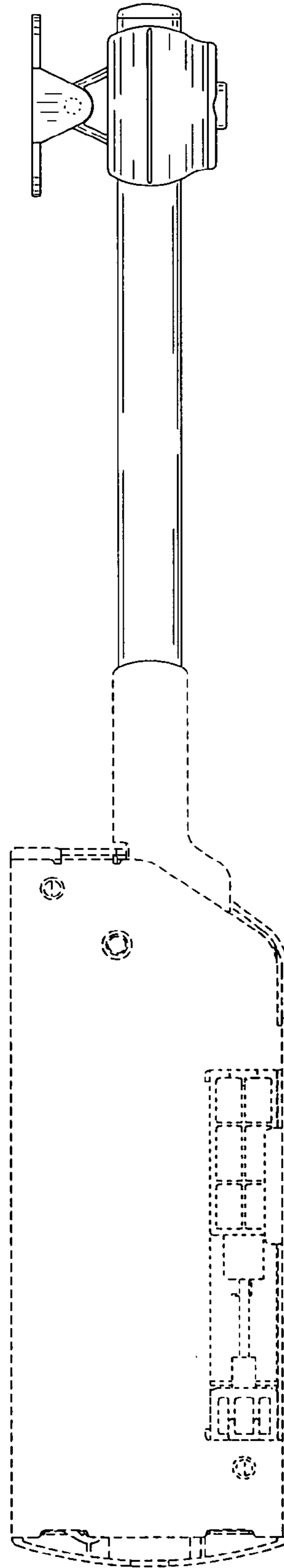


FIG. 3

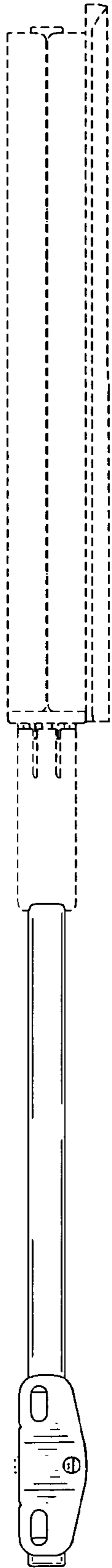


FIG. 4



FIG. 5

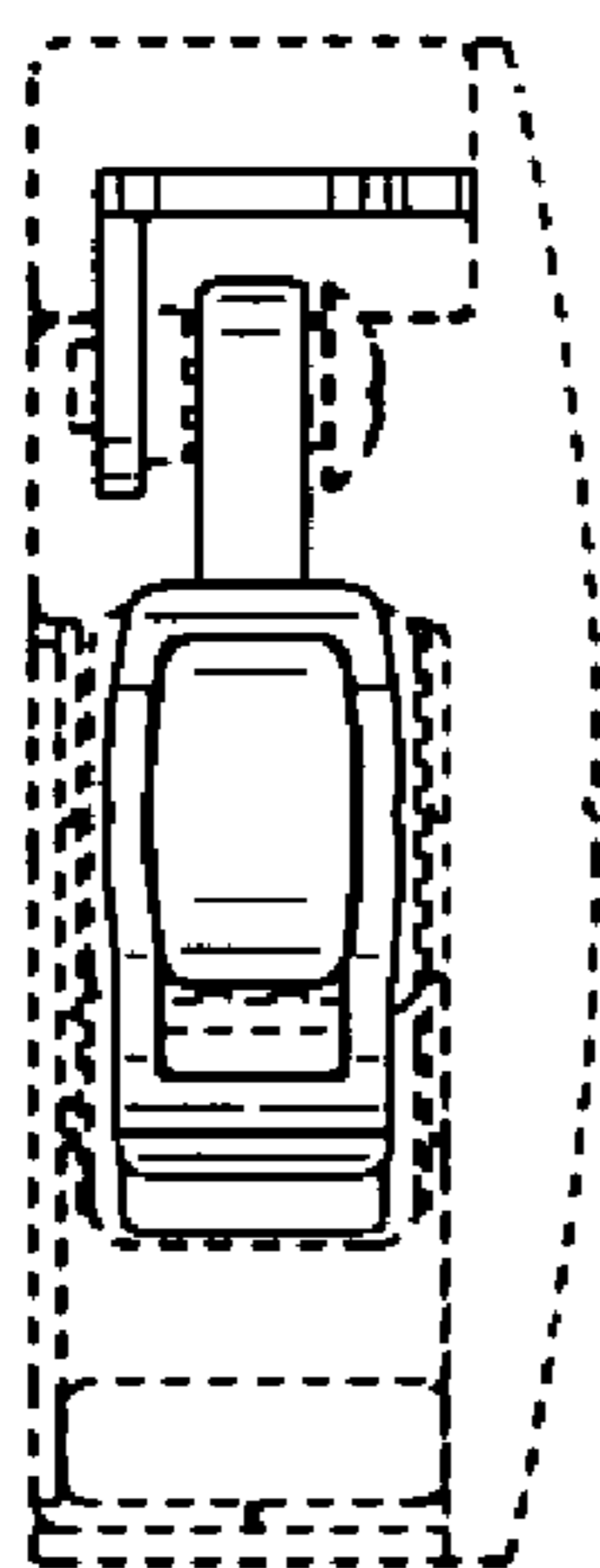


FIG. 6

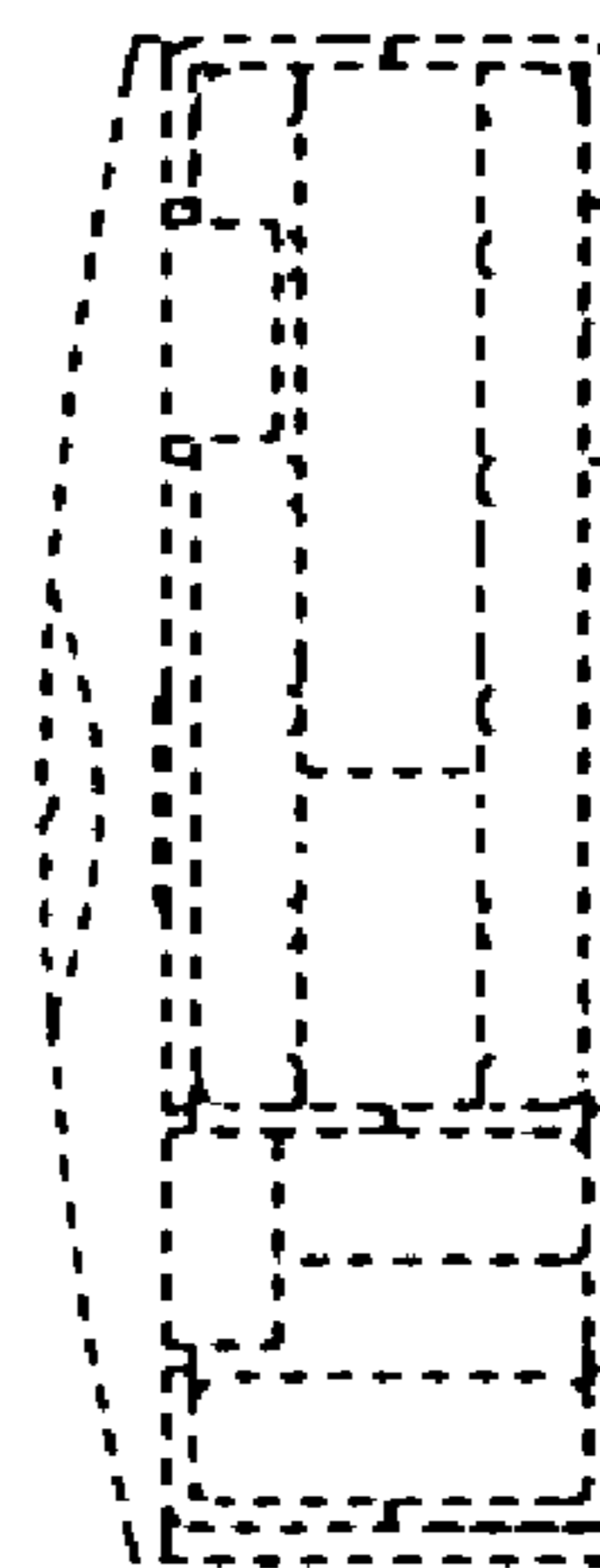


FIG. 7

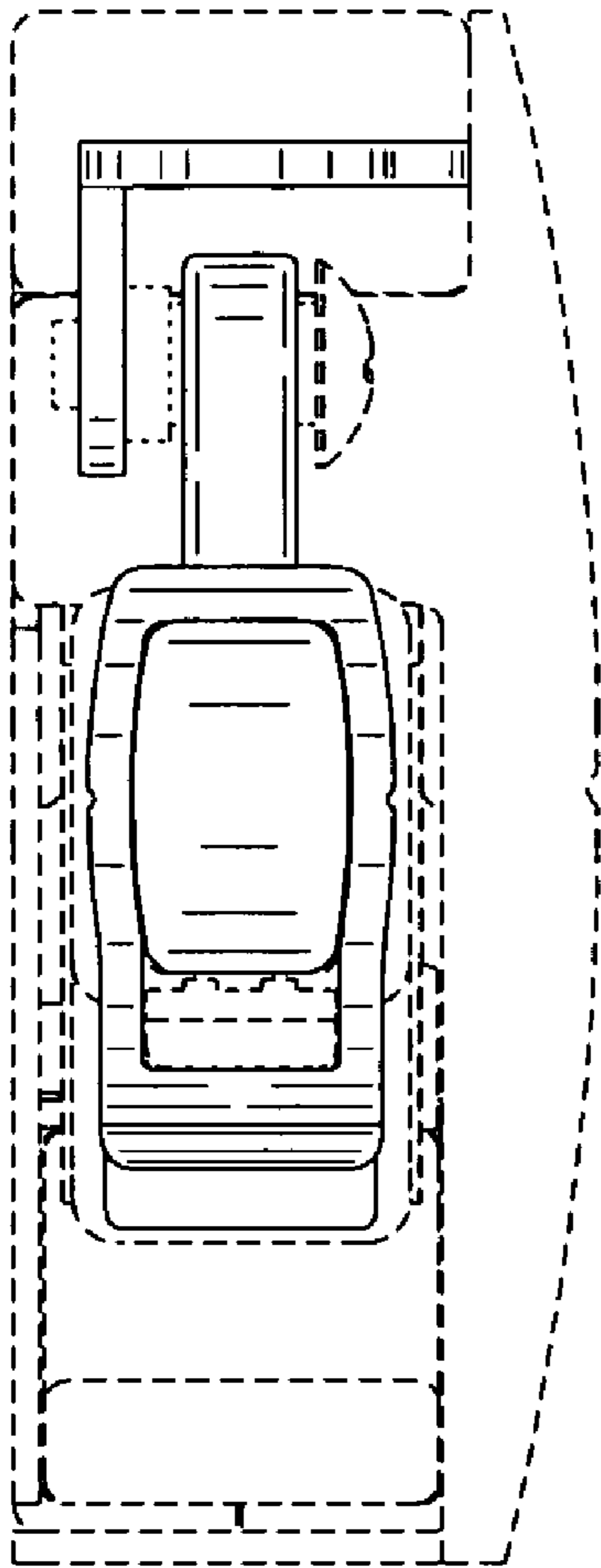


FIG. 8

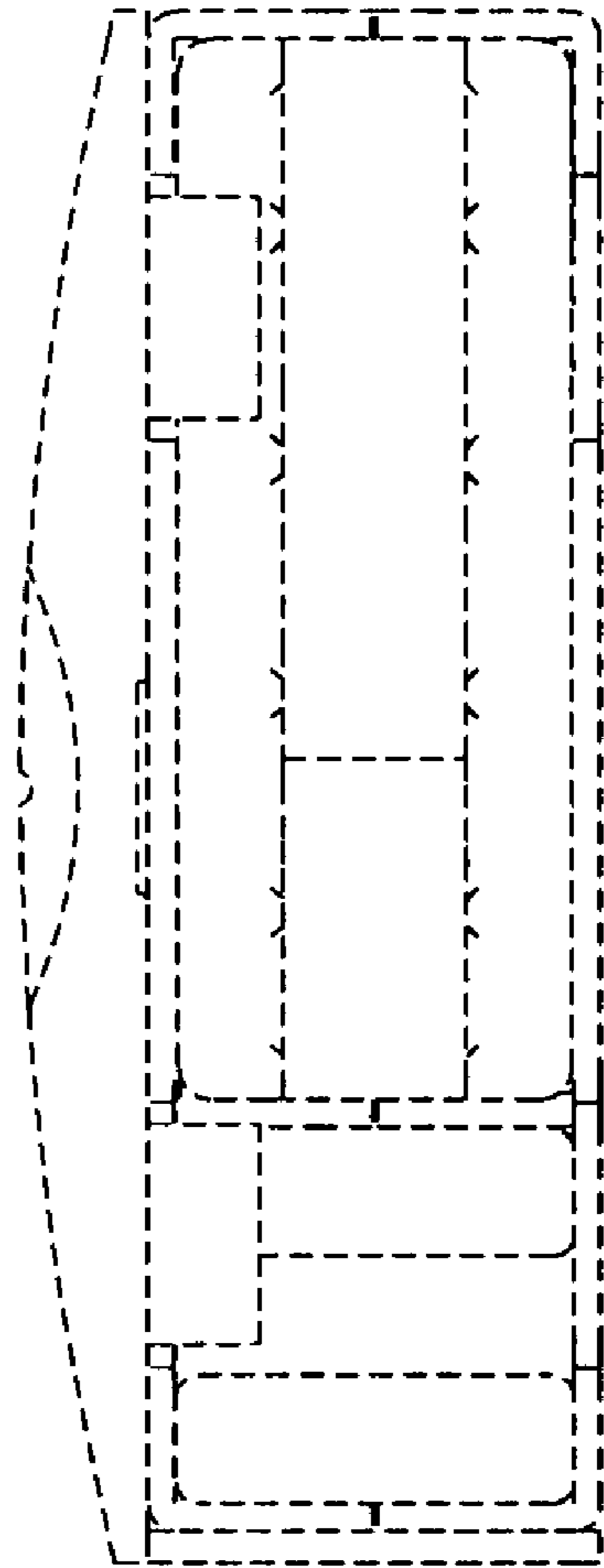


FIG. 9