



US00D611336S

(12) **United States Design Patent**
Hasegawa

(10) **Patent No.:** **US D611,336 S**
(45) **Date of Patent:** **** Mar. 9, 2010**

(54) **STAY FOR FURNITURE**

D553,486 S * 10/2007 Yamaguchi et al. D8/402

(75) Inventor: **Manabu Hasegawa**, Tokyo (JP)

* cited by examiner

(73) Assignee: **Sugatsune Kogyo Co., Ltd.**, Tokyo (JP)

Primary Examiner—Cathron C Brooks

Assistant Examiner—Barbara Fox

(**) Term: **14 Years**

(74) *Attorney, Agent, or Firm*—Osha • Liang LLP

(21) Appl. No.: **29/316,121**

(57) **CLAIM**

(22) Filed: **Aug. 26, 2009**

The ornamental design for a stay for furniture, as shown and described.

(30) **Foreign Application Priority Data**

DESCRIPTION

Feb. 26, 2009 (JP) 2009-004182

(51) **LOC (9) Cl.** **08-09**

(52) **U.S. Cl.** **D8/402**

(58) **Field of Classification Search** D8/349,
D8/354, 355, 382, 395, 400, 402, 499; 16/82,
16/85, 86 C, 286, 289.91, 297, 306, 319,
16/321, 335, 339, 374, DIG. 17; 49/206,
49/386; 248/291.1, 292.13, 352, 688, 319.2,
248/325

See application file for complete search history.

FIG. 1 is a perspective view of the front, left and top of a stay for furniture showing my new design;

FIG. 2 is a front view thereof;

FIG. 3 is a rear view thereof;

FIG. 4 is a top plan view thereof;

FIG. 5 is a bottom view thereof;

FIG. 6 is a left side view thereof;

FIG. 7 is right side view thereof;

FIG. 8 is an enlarged left side view thereof; and,

FIG. 9 is an enlarged right side view thereof.

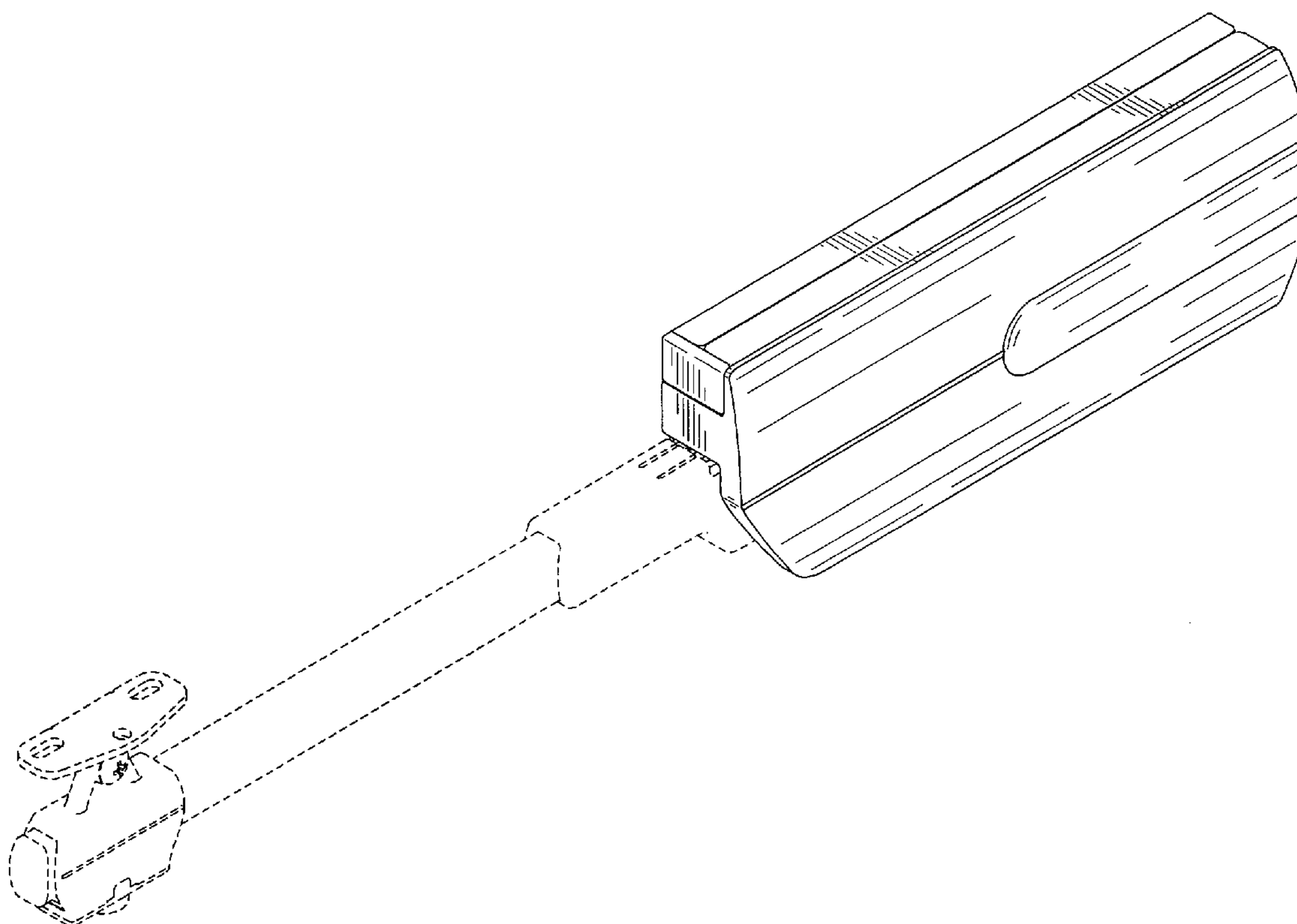
The broken lines shown in the drawings are for the purpose of illustrating unclaimed portions of the stay for furniture and form no part of the claimed design.

(56) **References Cited**

U.S. PATENT DOCUMENTS

D261,099 S * 10/1981 Russell D8/330
D424,404 S * 5/2000 Jensen et al. D8/330
D552,464 S * 10/2007 Yamaguchi D8/402
D552,981 S * 10/2007 Yamaguchi et al. D8/402

1 Claim, 5 Drawing Sheets



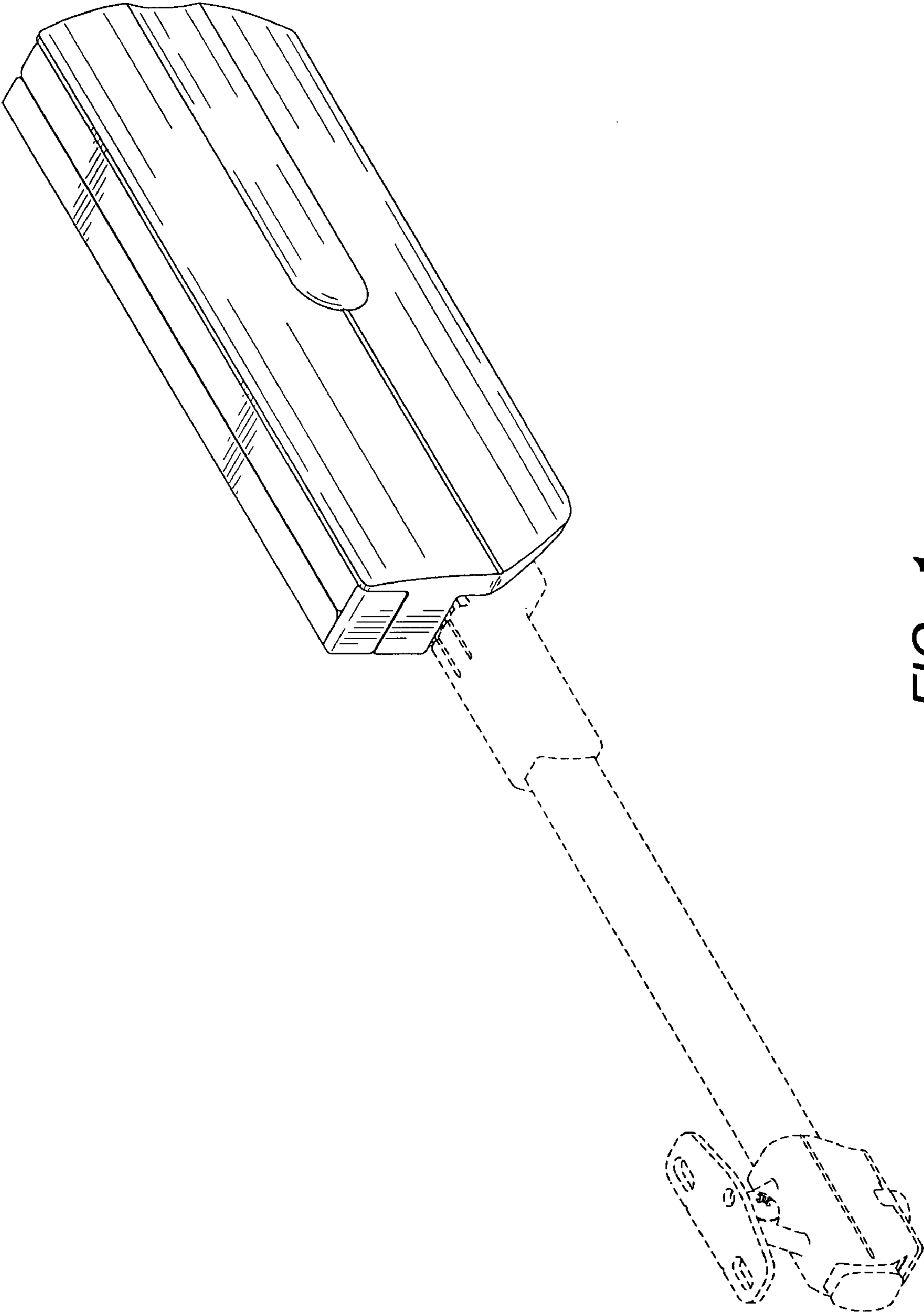


FIG. 1

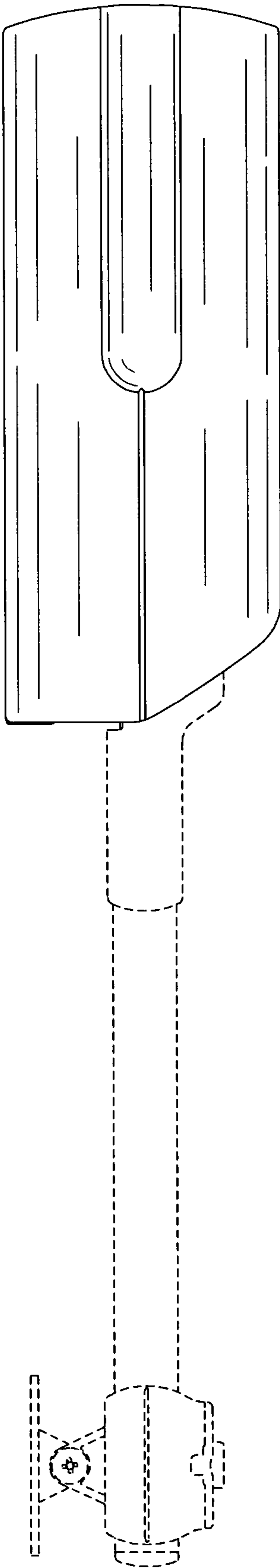


FIG. 2

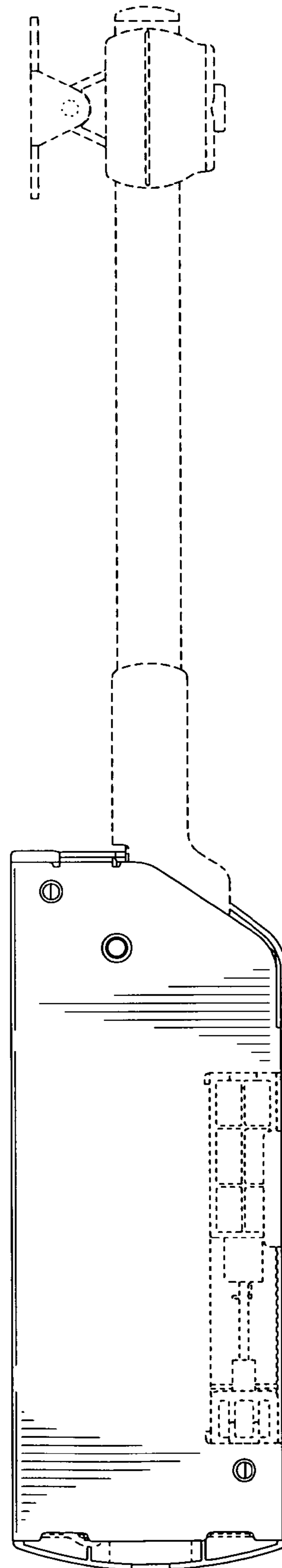


FIG. 3

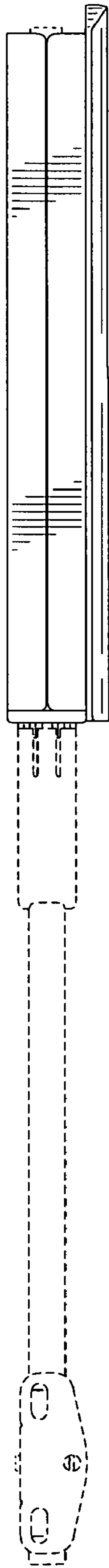


FIG. 4

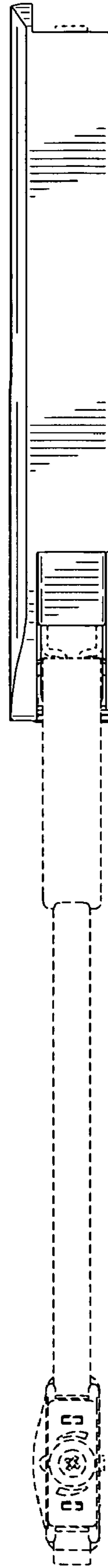


FIG. 5

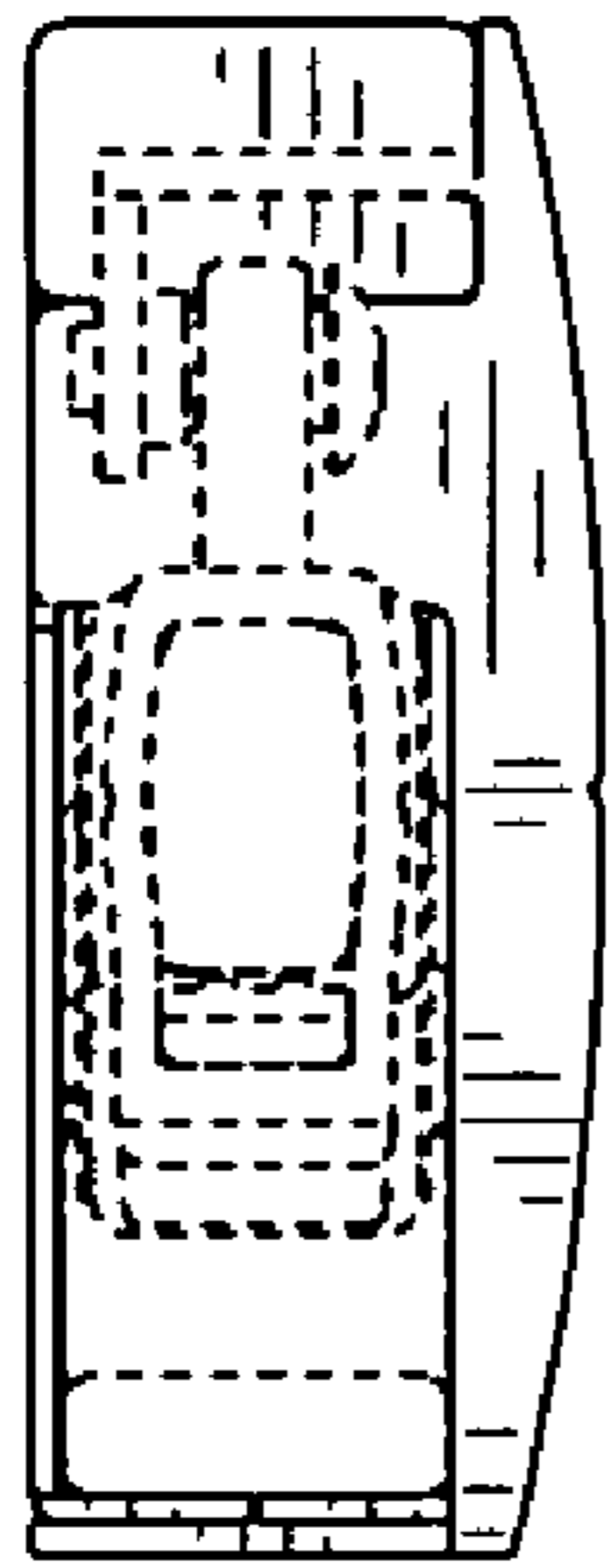


FIG. 6

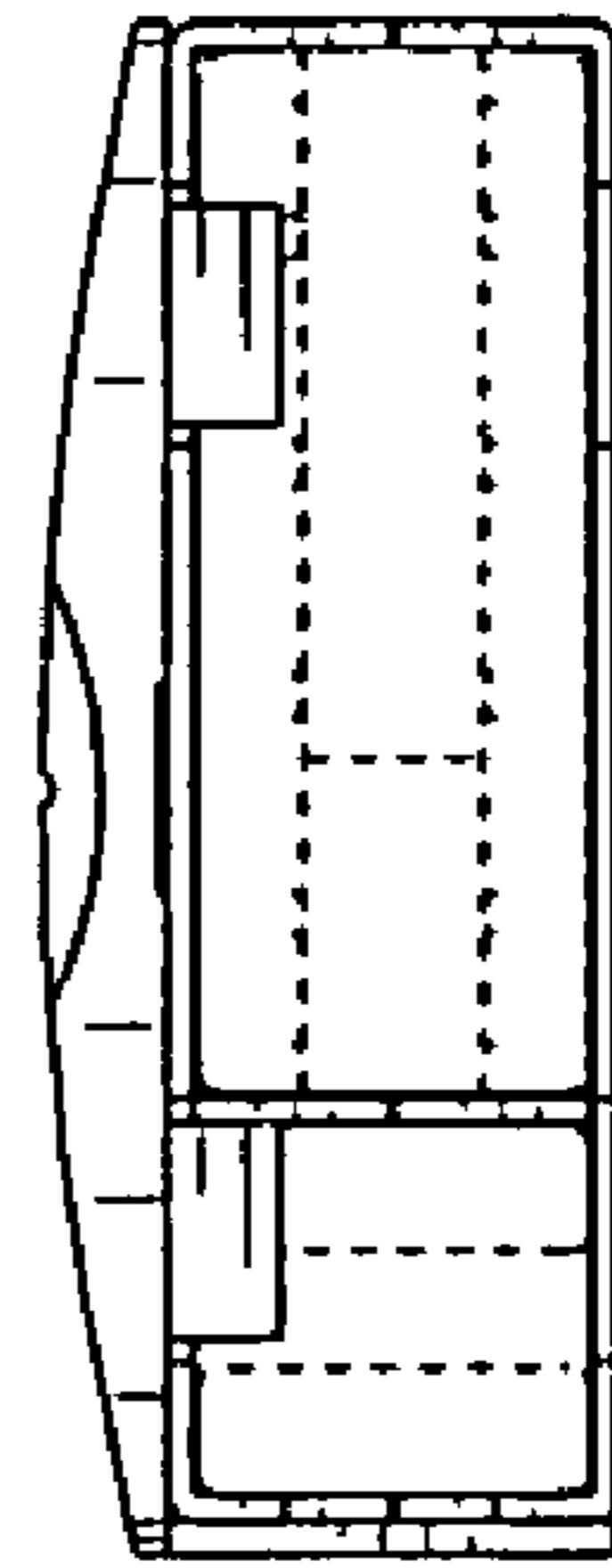


FIG. 7

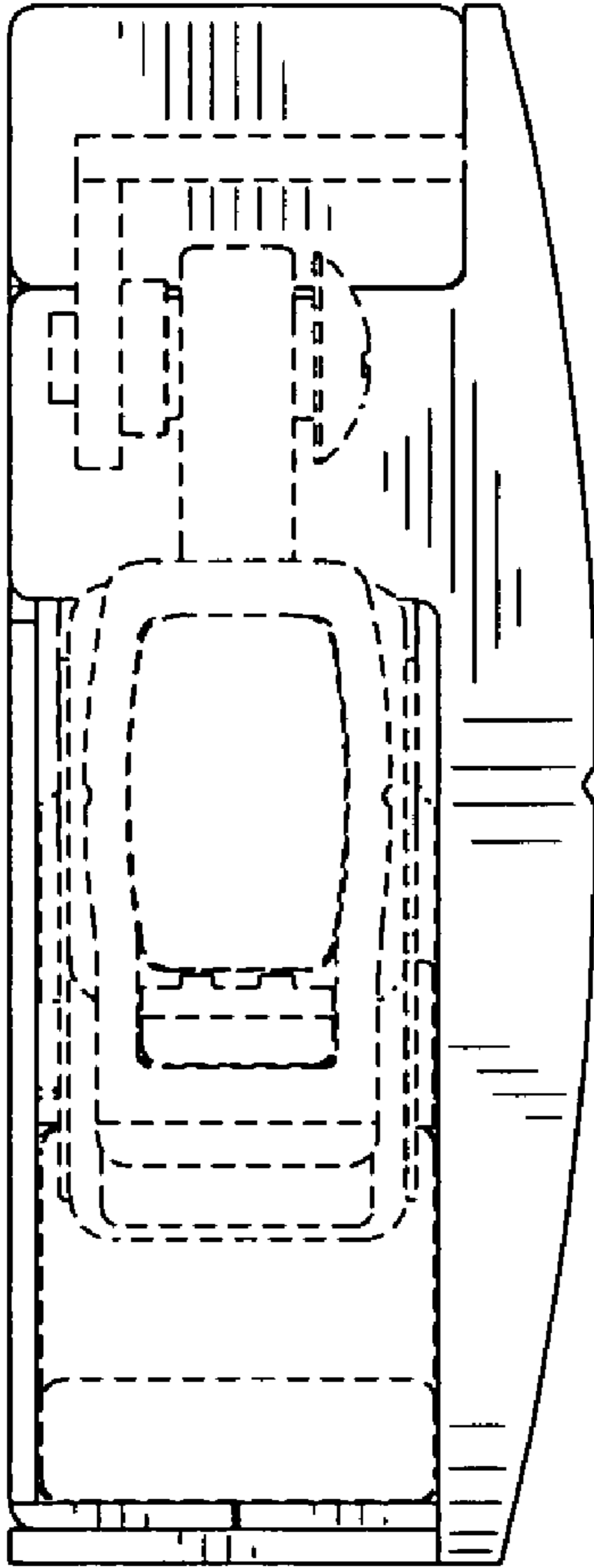


FIG. 8

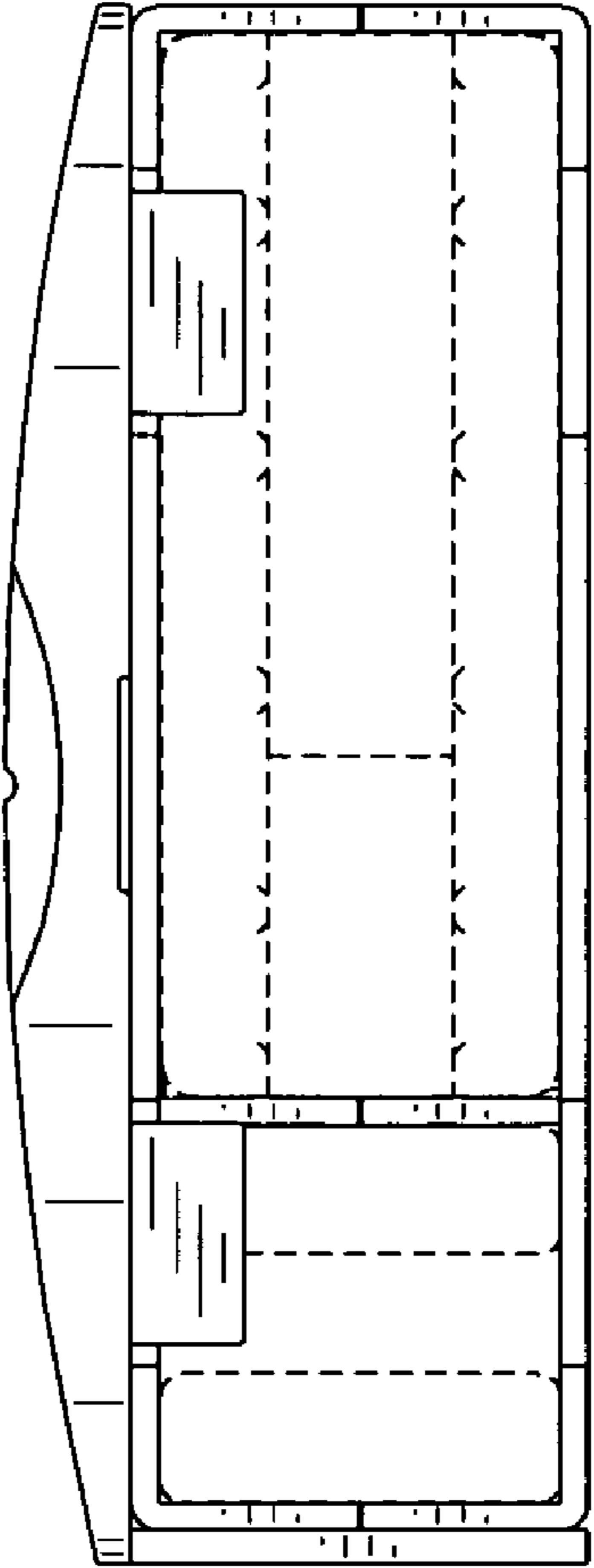


FIG. 9