



US00D611332S

(12) **United States Design Patent**
Tedesco et al.

(10) **Patent No.:** **US D611,332 S**
(45) **Date of Patent:** **** Mar. 9, 2010**

(54) **FOUR-WAY INTERSECTION CLIP**

(75) Inventors: **Lee M. Tedesco**, Shorewood, IL (US);
Paul D. LaLonde, Avon, OH (US); **Ilya Lerner**, Wheeling, IL (US)

(73) Assignee: **USG Interiors, Inc.**, Chicago, IL (US)

(**) Term: **14 Years**

(21) Appl. No.: **29/321,215**

(22) Filed: **Jul. 14, 2008**

(51) **LOC (9) Cl.** **08-05**

(52) **U.S. Cl.** **D8/380**

(58) **Field of Classification Search** D8/403,
D8/381, 380, 373, 363, 354, 349; D6/574,
D6/573, 572; 52/712-715, 665, 506.06;
292/346; 248/265, 247, 243, 235, 200; 108/85;
D25/119, 102, 112, 126, 141
See application file for complete search history.

(56) **References Cited**

U.S. PATENT DOCUMENTS

2,703,159 A	3/1955	Fleet	
3,089,570 A	5/1963	O'Neil, Jr.	
3,102,306 A	9/1963	Hutchinson	
3,590,544 A *	7/1971	Shepherd	52/506.06
3,677,589 A	7/1972	Roles	
3,785,110 A	1/1974	Galloway et al.	
3,835,614 A	9/1974	Downing, Jr.	
4,019,300 A	4/1977	Sauer et al.	
4,276,731 A *	7/1981	Henggeler et al.	52/506.08
4,479,341 A	10/1984	Schuplin	
4,485,605 A	12/1984	LaLonde	
4,535,580 A	8/1985	Shirey	
4,570,391 A	2/1986	Quante et al.	

4,583,340 A	4/1986	Sauer	
4,715,161 A	12/1987	Carraro et al.	
4,723,388 A *	2/1988	Zieg	52/665
5,046,294 A	9/1991	Platt	
5,176,348 A	1/1993	Gale	
5,279,090 A	1/1994	Yamaguchi et al.	
5,349,800 A	9/1994	Peng	
5,469,681 A	11/1995	Wu	
5,937,605 A	8/1999	Wendt	
5,941,029 A	8/1999	MacLeod	
6,018,923 A	2/2000	Wendt	
6,209,268 B1	4/2001	Schmidt	
D484,029 S *	12/2003	Bainbridge	D8/380
2007/0180787 A1	8/2007	Fecska	
2008/0047213 A1	2/2008	Jaic	
2008/0060306 A1	3/2008	Platt et al.	

OTHER PUBLICATIONS

USG Interiors, Inc., Drawing No. A1.1201.48, "Tee Intersection Bracket—4 Way", dated Nov. 1, 1993.

* cited by examiner

Primary Examiner—Susan Bennett Hattan

(74) *Attorney, Agent, or Firm*—Pearne & Gordon LLP

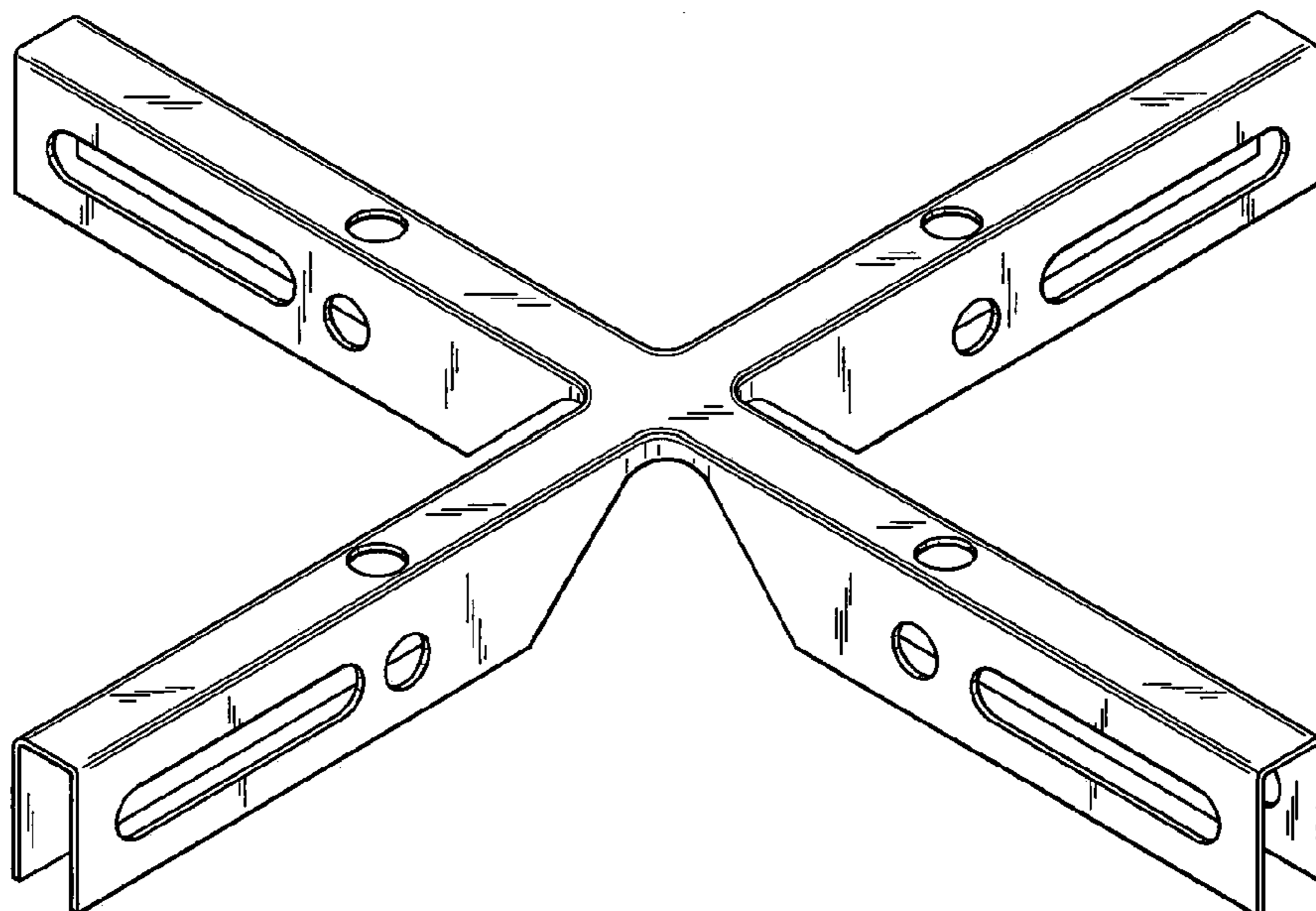
(57) **CLAIM**

The ornamental design for a four-way intersection clip, as shown and described.

DESCRIPTION

FIG. 1 is an isometric view of a four-way intersection clip showing our new design;
FIG. 2 is a top plan view thereof;
FIG. 3 is a front, sides and rear elevational view thereof; and,
FIG. 4 is a bottom plan view thereof.

1 Claim, 3 Drawing Sheets



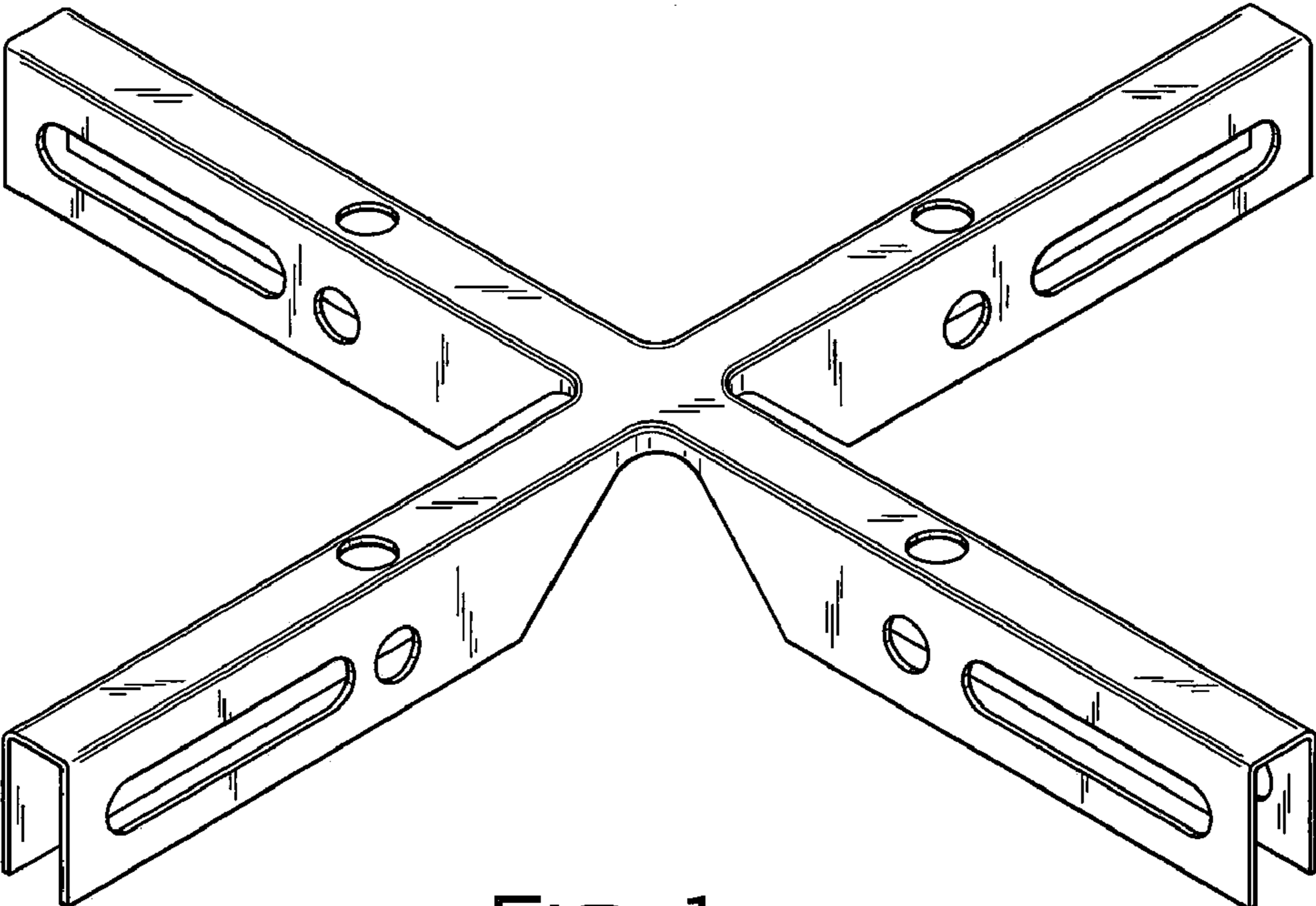


FIG. 1

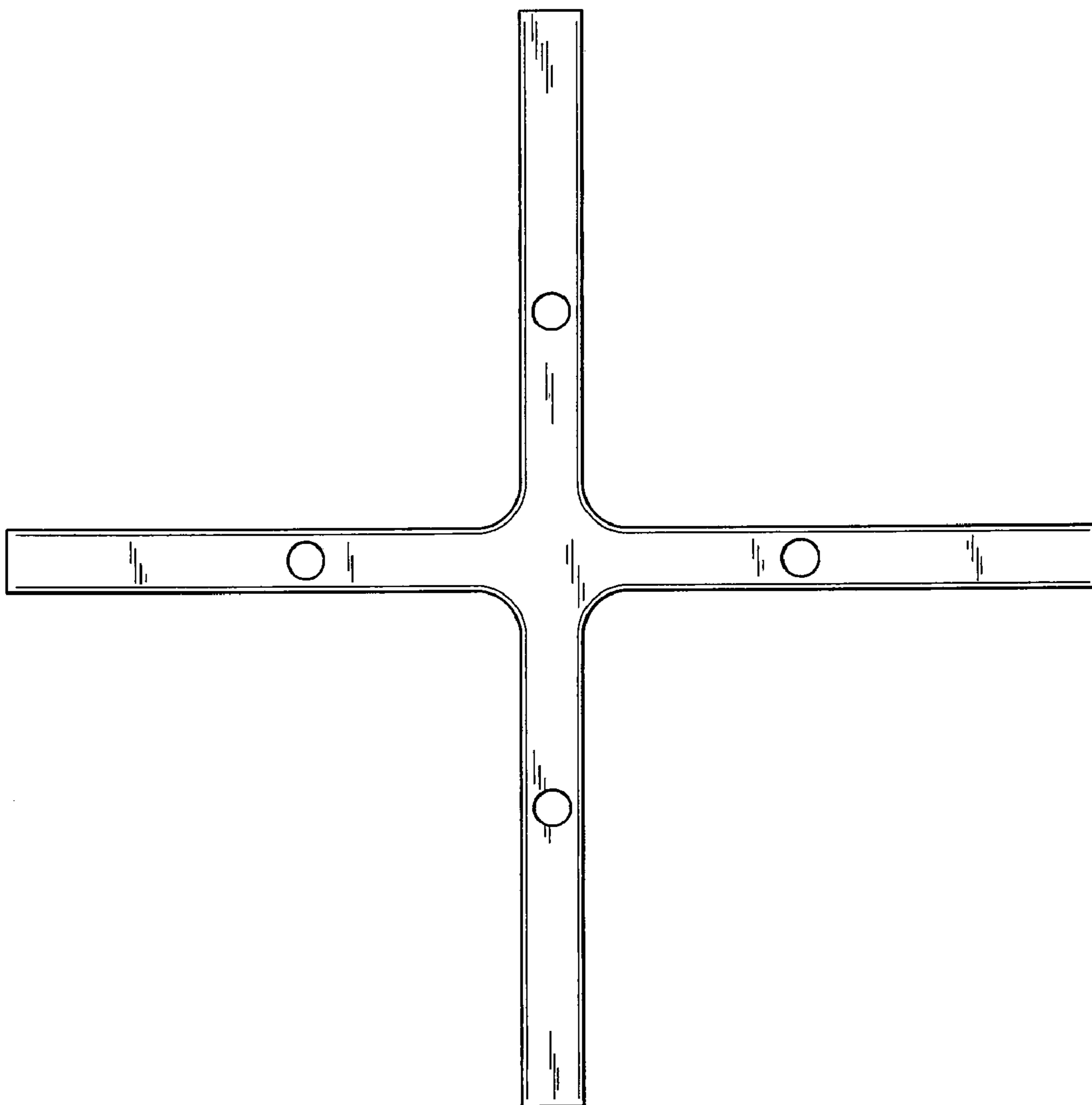


FIG. 2

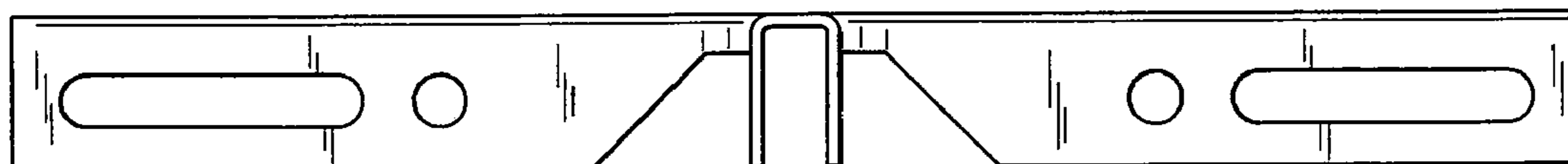


FIG. 3

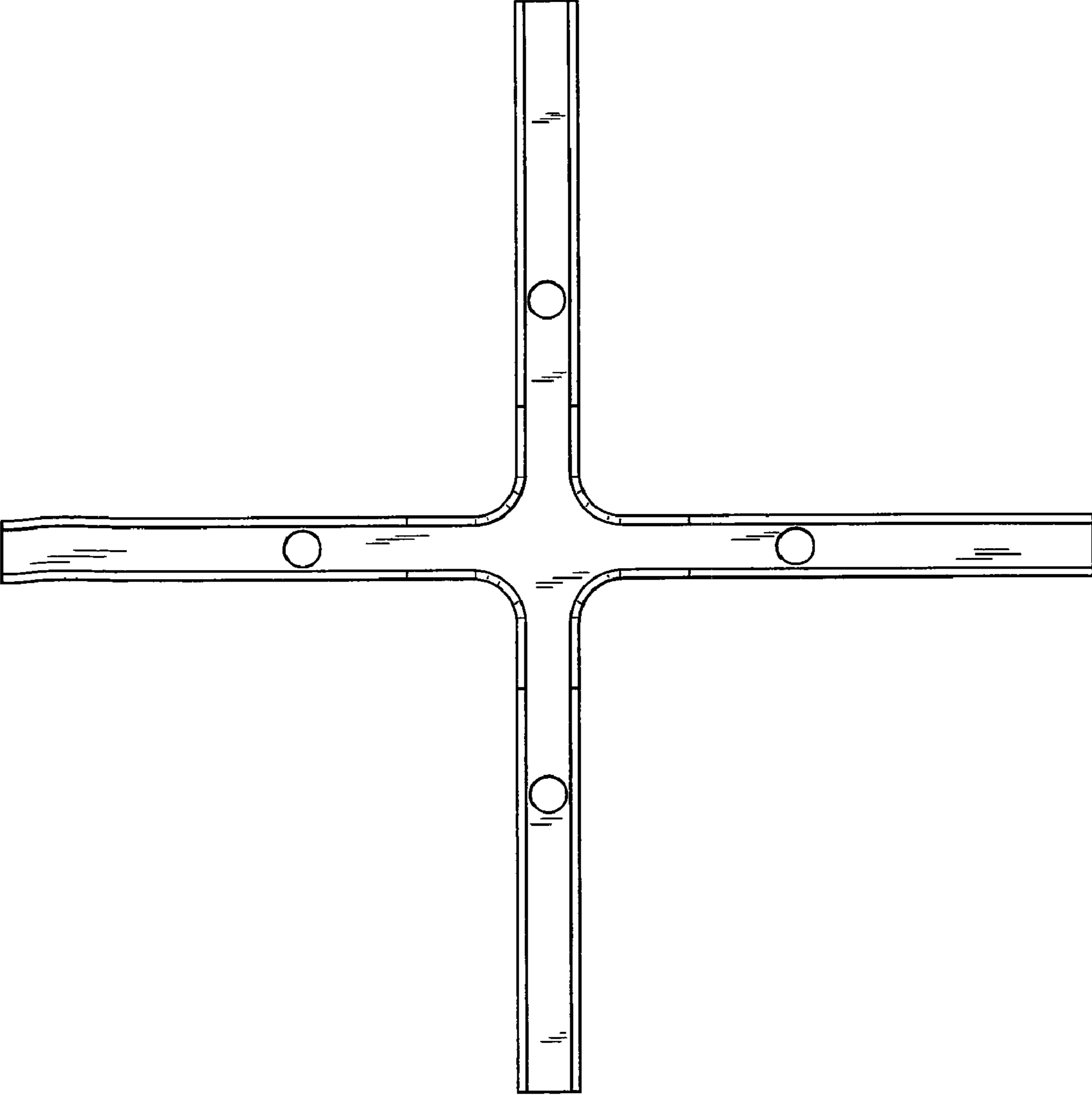


FIG. 4