



US00D611328S

(12) **United States Design Patent**
Hanley et al.

(10) **Patent No.:** **US D611,328 S**
(45) **Date of Patent:** **** Mar. 9, 2010**

(54) **PAIR OF BRACKETS FOR A TOOL-LESS DOUBLE CURTAIN ROD**

(74) *Attorney, Agent, or Firm*—Barlow, Josephs & Holmes, Ltd.

(75) Inventors: **Michael P. Hanley**, Smithfield, RI (US);
Vincent J. DeSanto, Lincoln, RI (US)

(57) **CLAIM**

(73) Assignee: **Kenney Manufacturing Company**,
Warwick, RI (US)

The ornamental design for a pair of brackets for a tool-less double curtain rod, as shown and described.

(**) Term: **14 Years**

DESCRIPTION

(21) Appl. No.: **29/324,228**

(22) Filed: **Sep. 9, 2008**

(51) **LOC (9) Cl.** **08-05**

(52) **U.S. Cl.** **D8/363**

(58) **Field of Classification Search** D8/355,
D8/363, 367, 368, 369, 371, 372, 373; D6/116,
D6/120, 122, 247, 579, 580; 211/87, 105.1,
211/105.2; 248/214, 215, 304; 160/330,
160/349.1, 349.2

See application file for complete search history.

FIG. 1 is a perspective view of the left bracket of a pair of brackets for a tool-less double curtain rod showing our new design, the pilot hole shown in broken lines forming no part of the claimed design;

FIG. 2 is a front view thereof;

FIG. 3 is a rear view thereof;

FIG. 4 is a left side view thereof;

FIG. 5 is a right side view thereof;

FIG. 6 is a top view thereof;

FIG. 7 is a bottom view thereof;

FIG. 8 is a perspective view of the right bracket of a pair of brackets for a tool-less double curtain rod showing our new design, the pilot hole shown in broken lines forming no part of the claimed design;

FIG. 9 is a front view thereof;

FIG. 10 is a rear side view thereof;

FIG. 11 is a left side view thereof;

FIG. 12 is a right side view thereof;

FIG. 13 is a top view thereof; and,

FIG. 14 is a bottom view thereof.

(56) **References Cited**

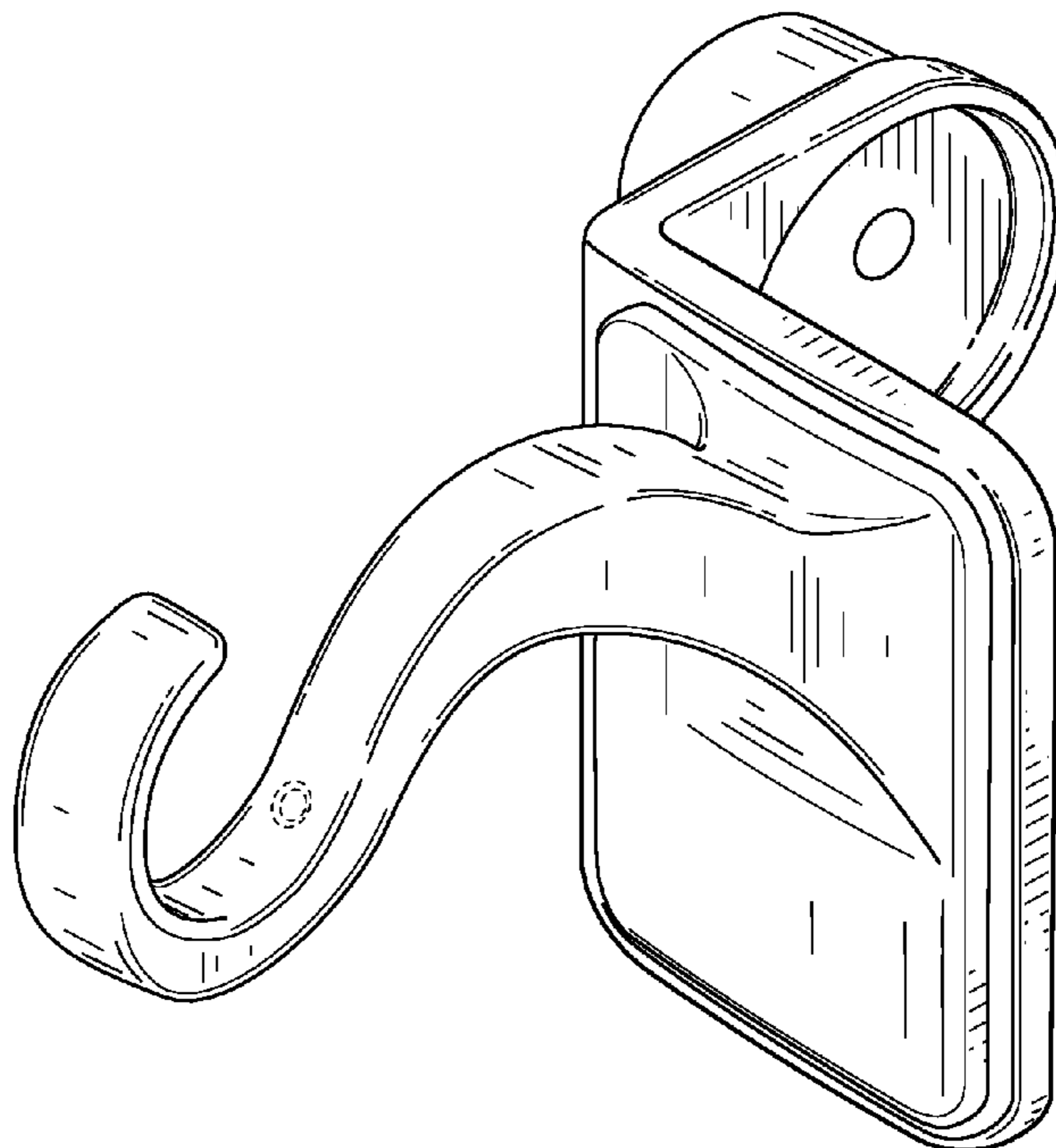
U.S. PATENT DOCUMENTS

D48,665 S *	2/1916	Peterson	D8/355
D49,796 S *	10/1916	Dishler	D8/363
D55,274 S *	5/1920	Husser	D8/363
D60,744 S *	3/1922	Weyman	D8/355
D279,450 S *	7/1985	Chap	D8/363
D411,951 S *	7/1999	Baranski et al.	D8/363
D513,144 S *	12/2005	Phillips-Brookshire	D6/579

* cited by examiner

Primary Examiner—Robert M Spear
Assistant Examiner—Barbara B Lohr

1 Claim, 8 Drawing Sheets



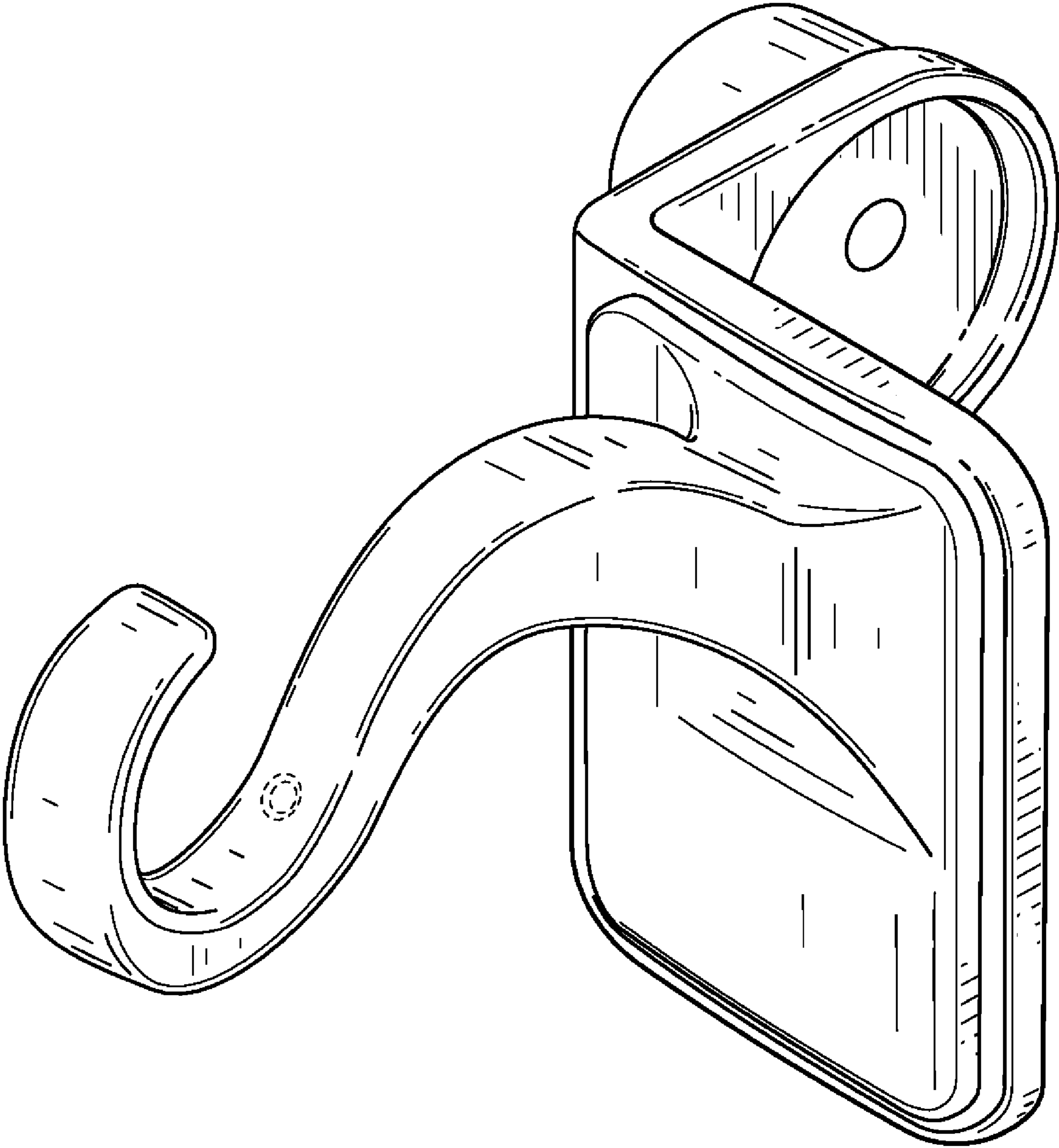


FIG. 1

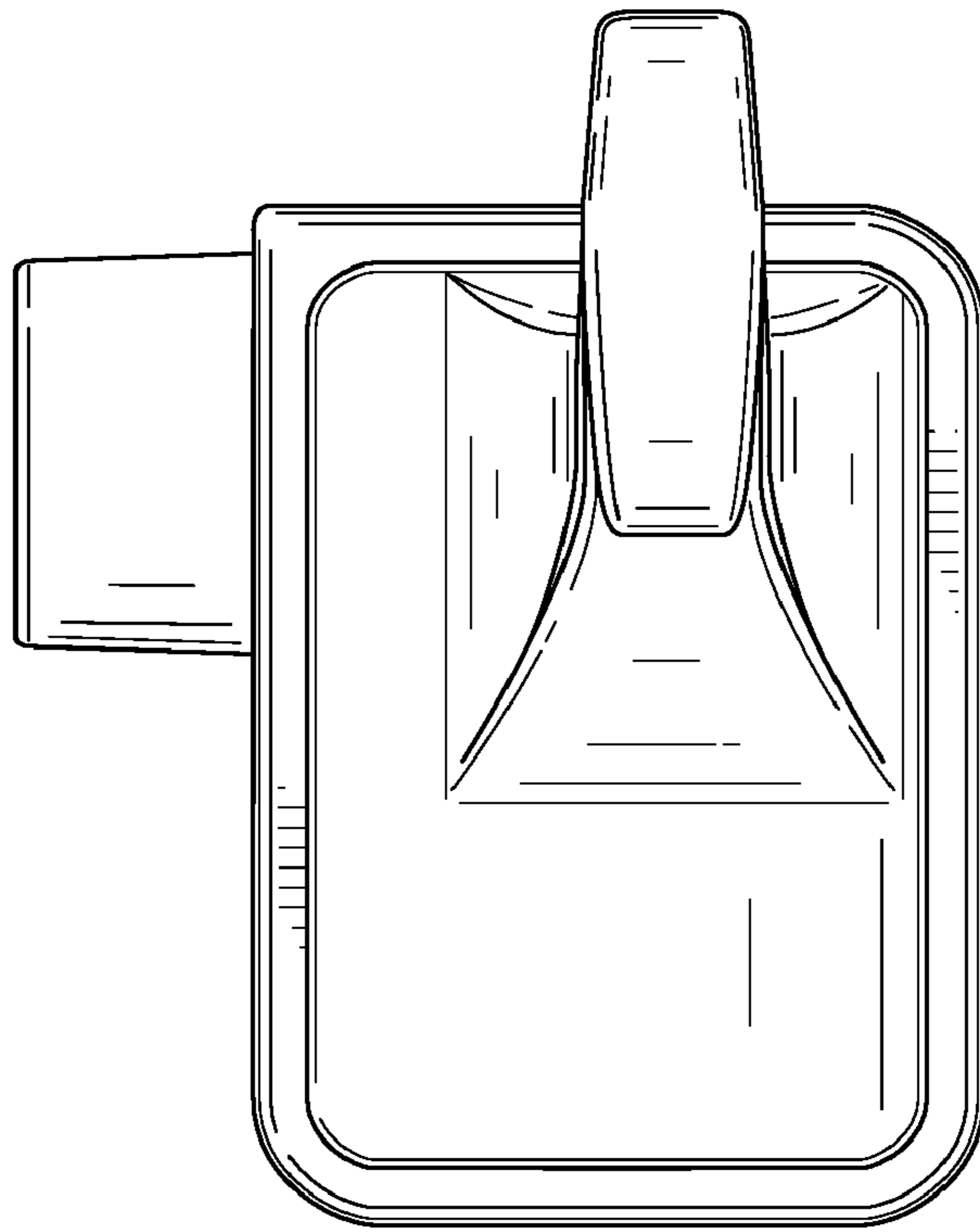


FIG. 2

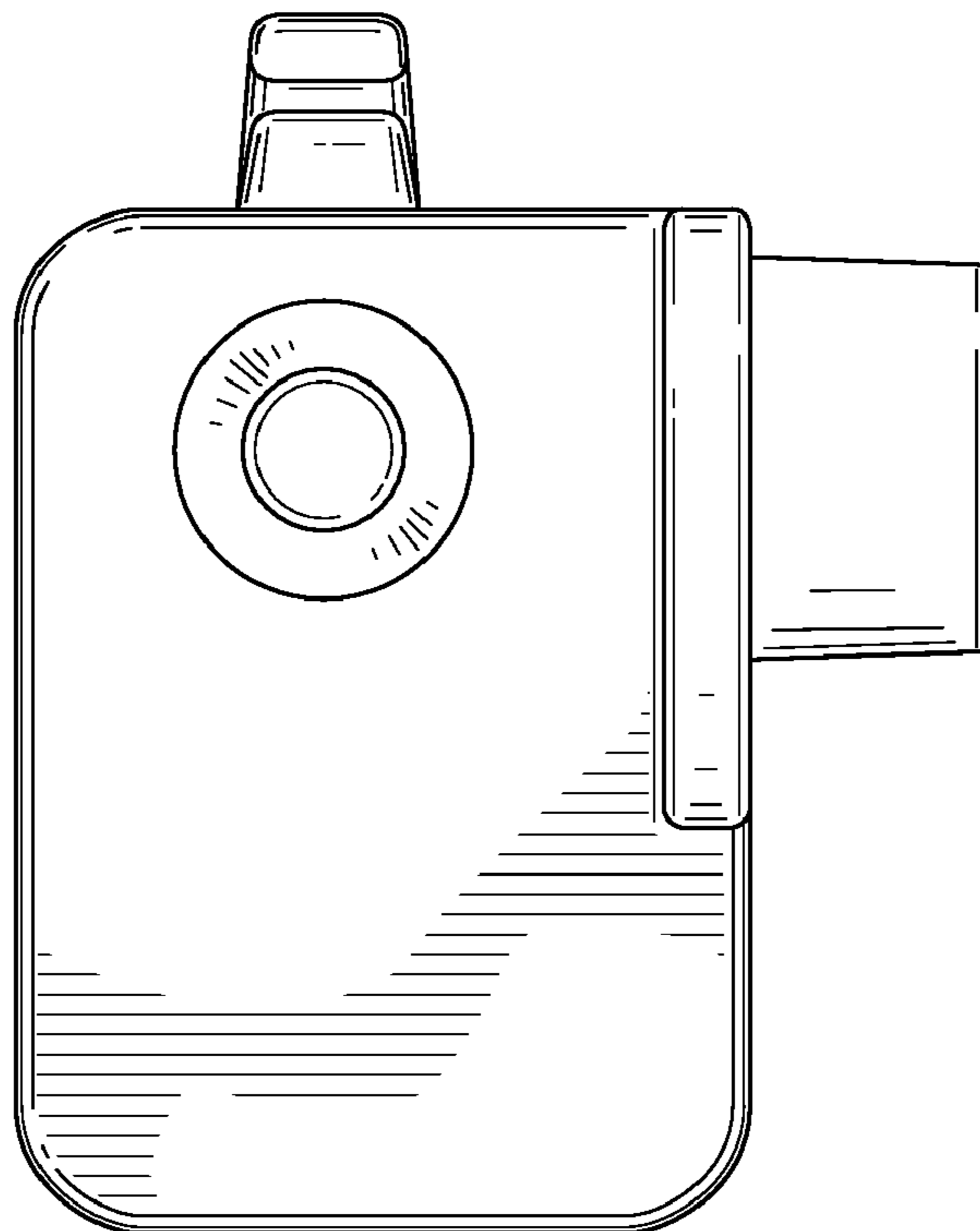


FIG. 3

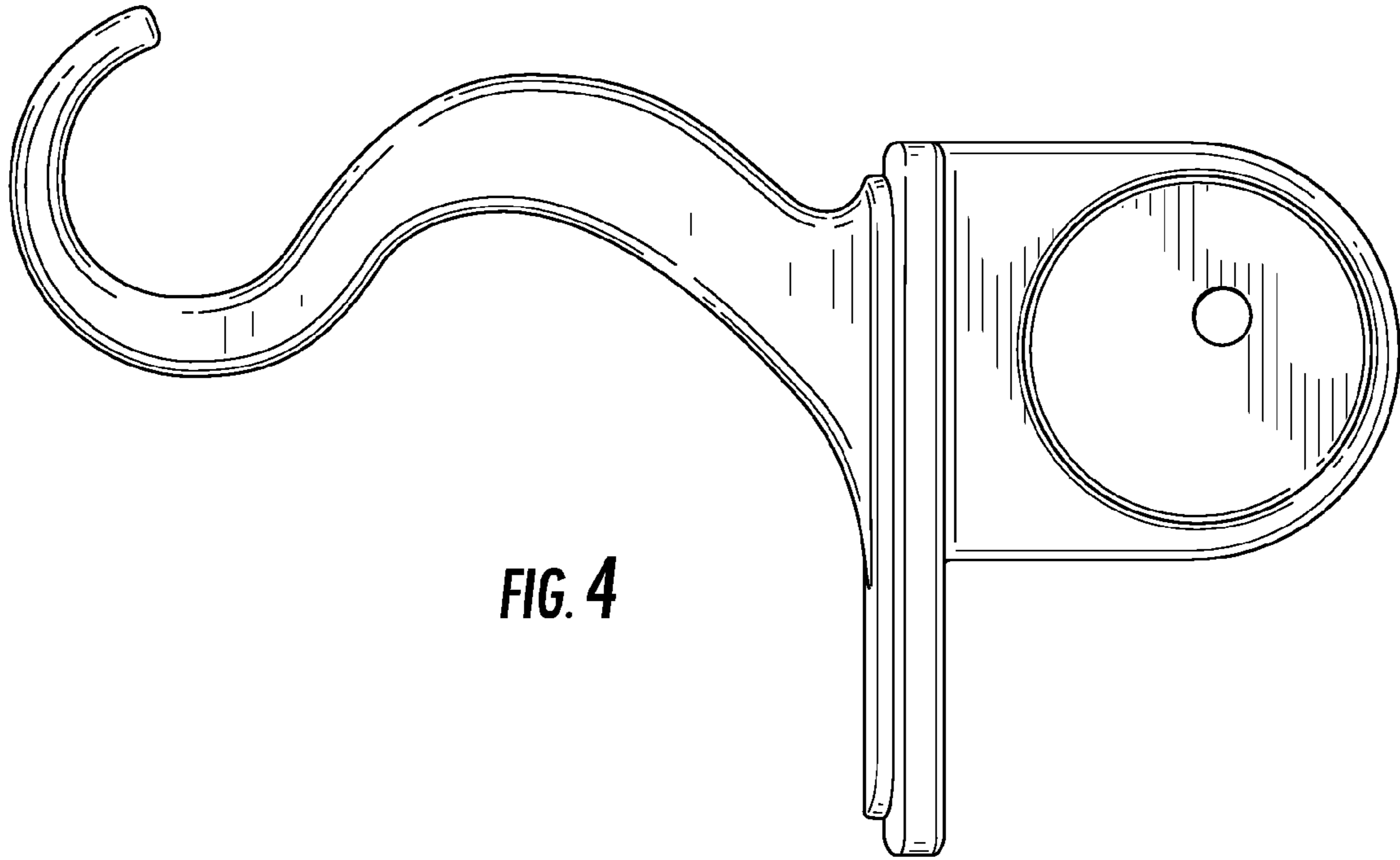


FIG. 4

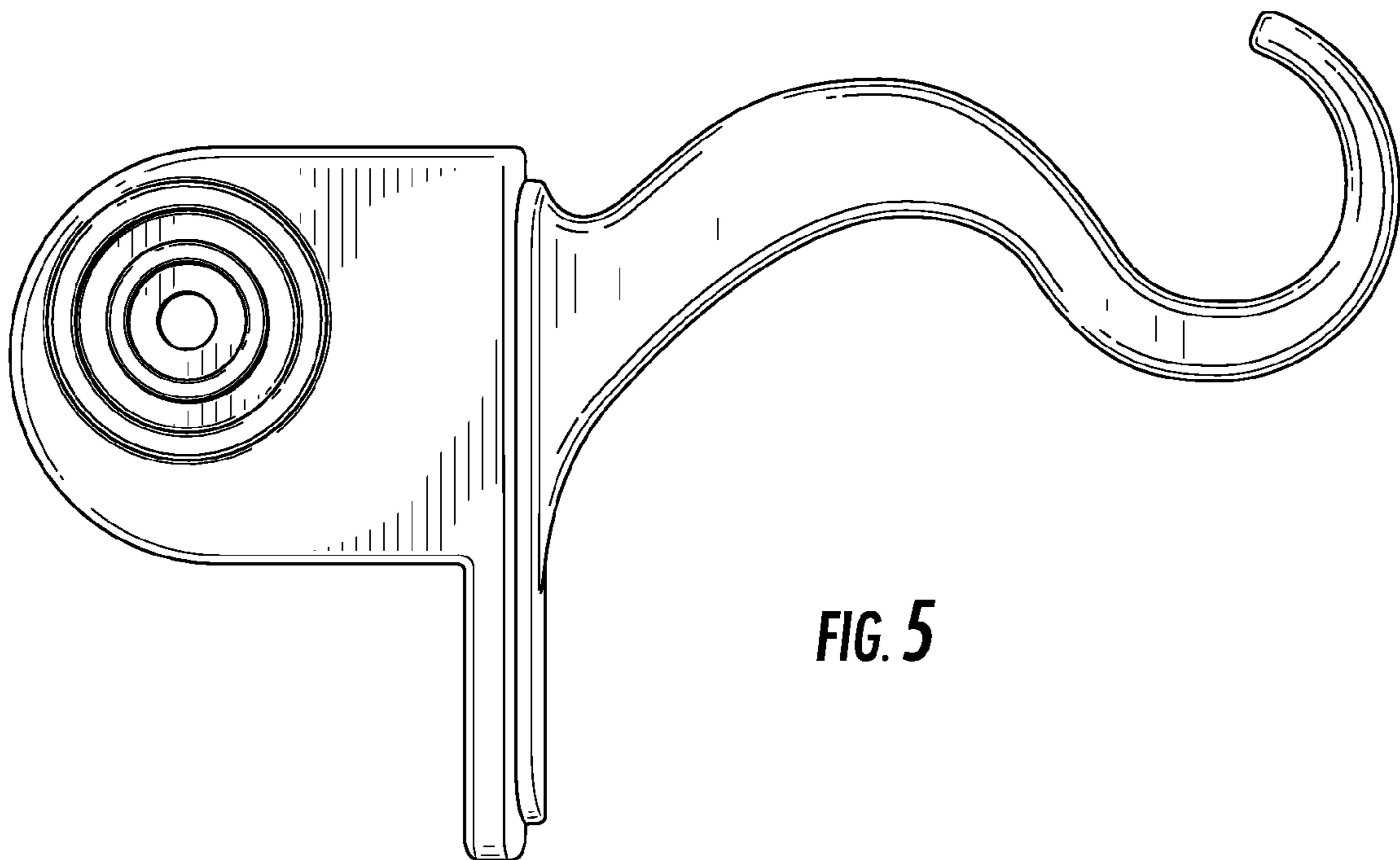


FIG. 5

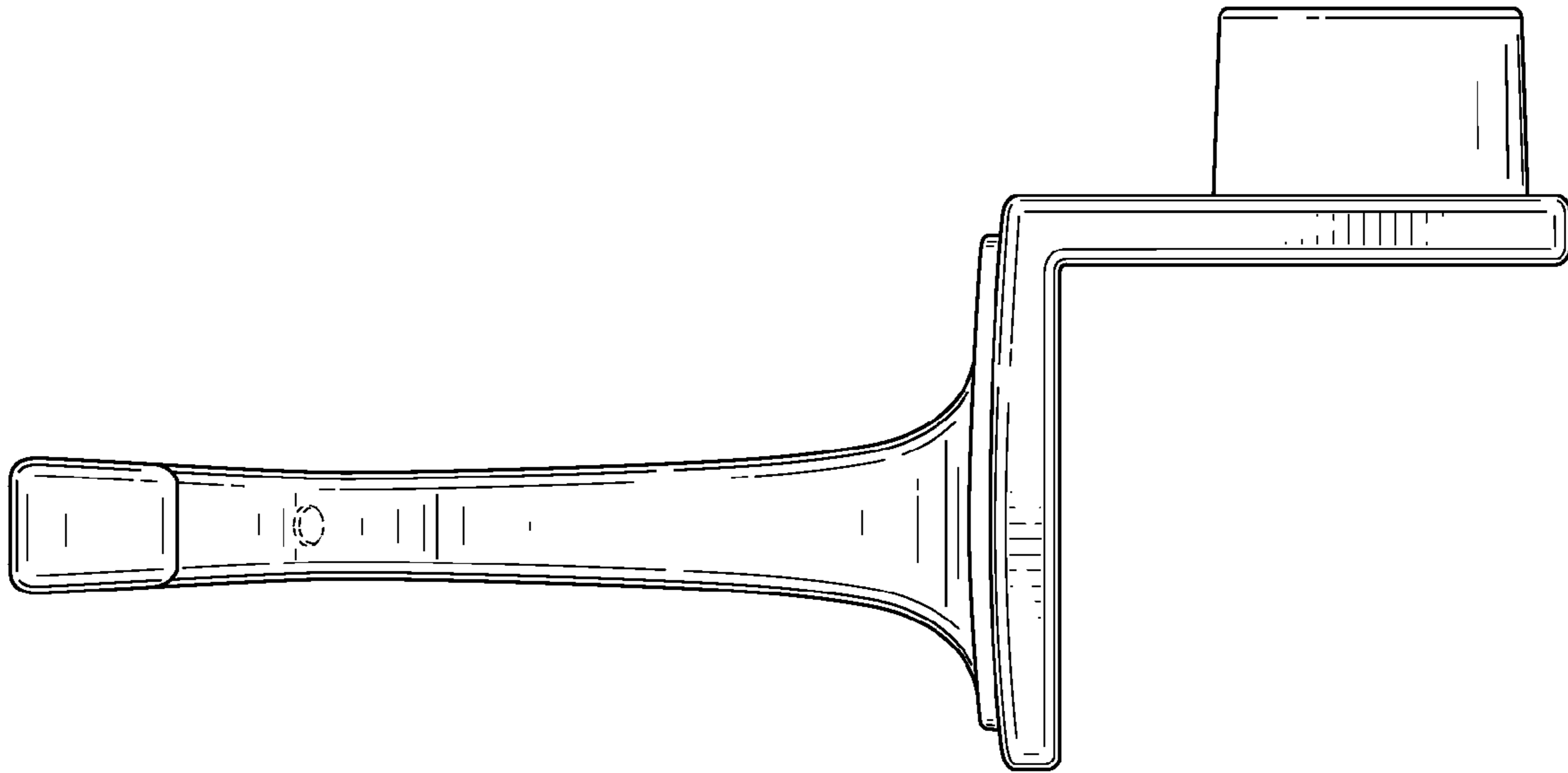


FIG. 6

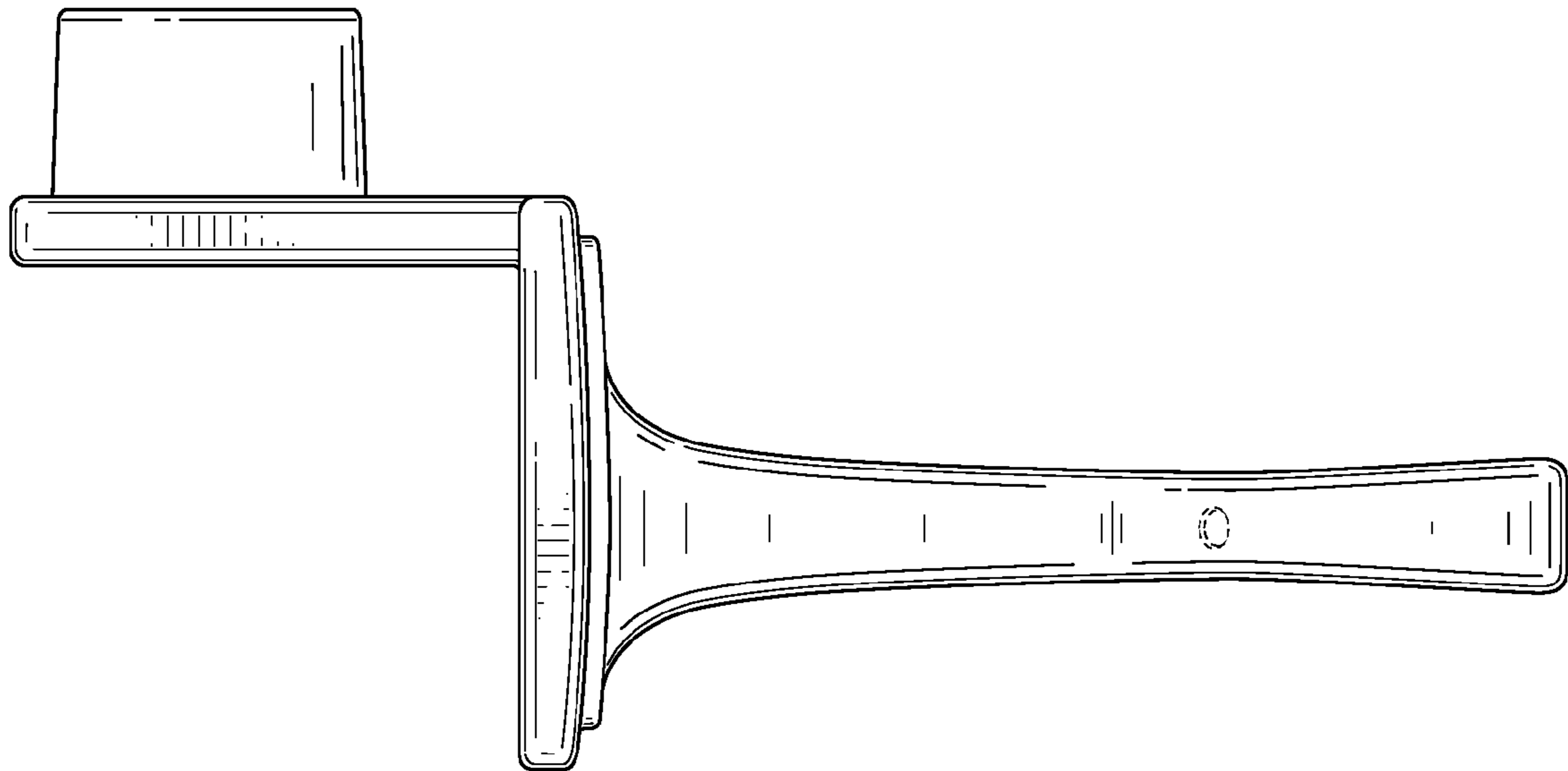


FIG. 7

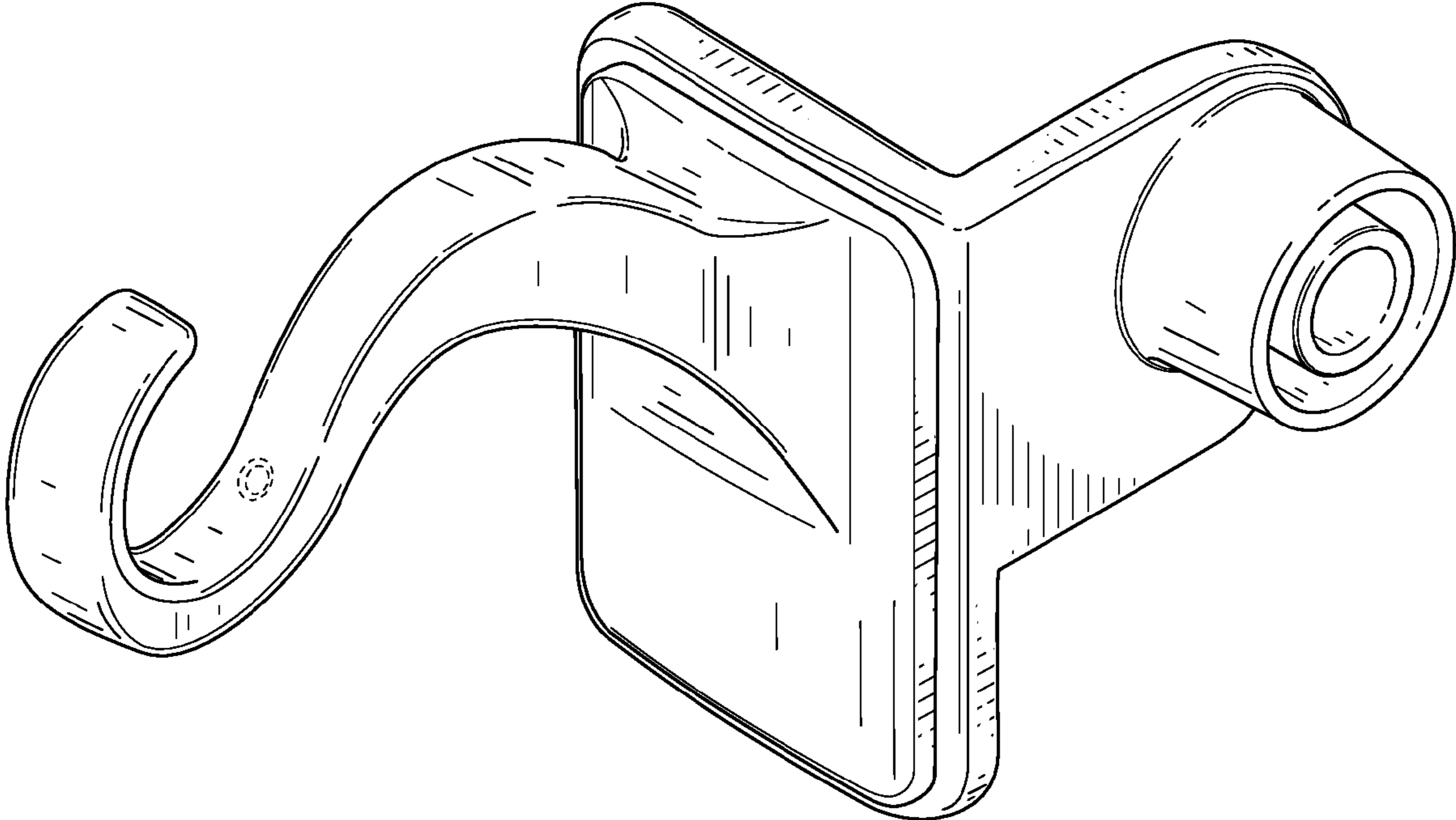


FIG. 8

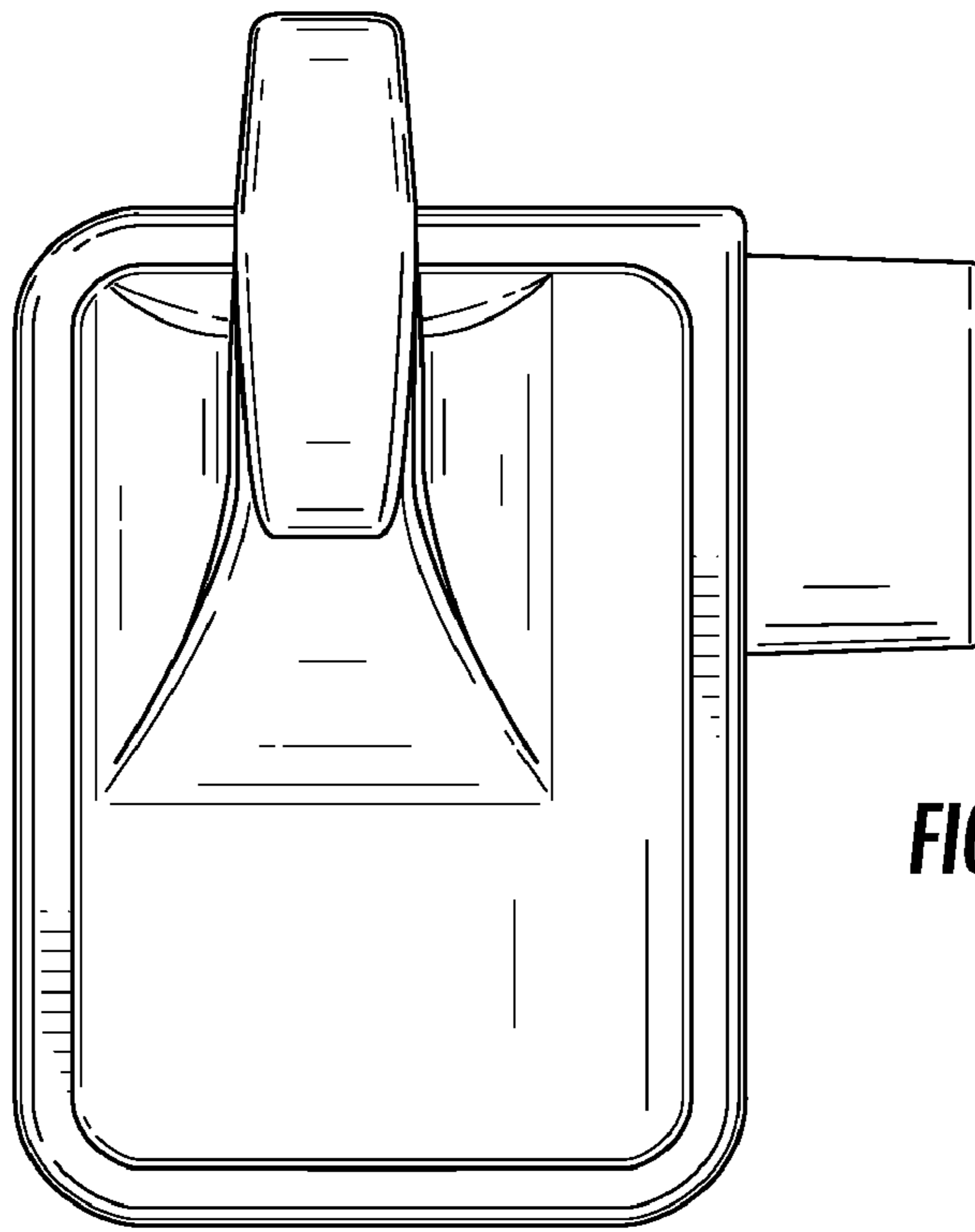


FIG. 9

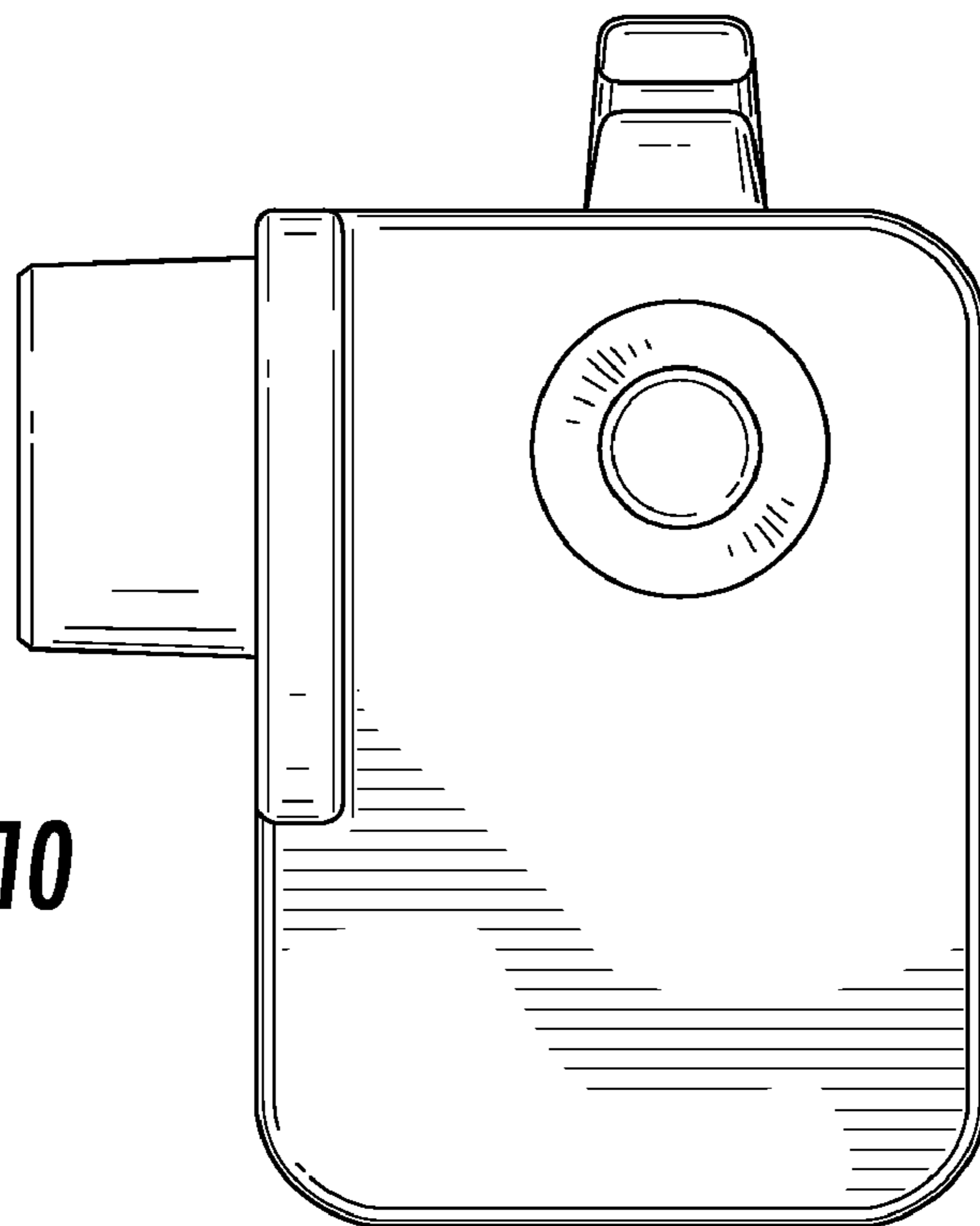


FIG. 10

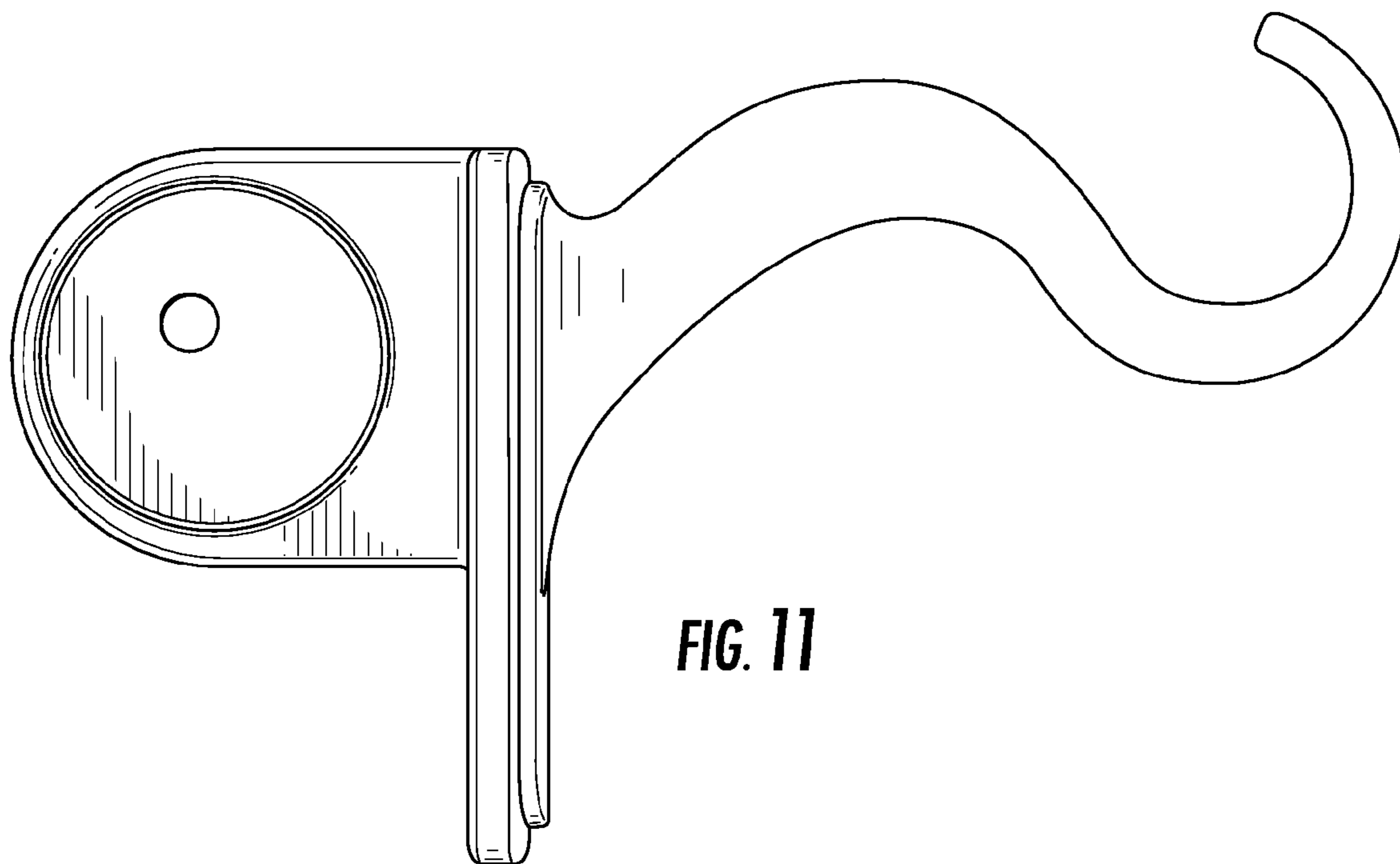


FIG. 11

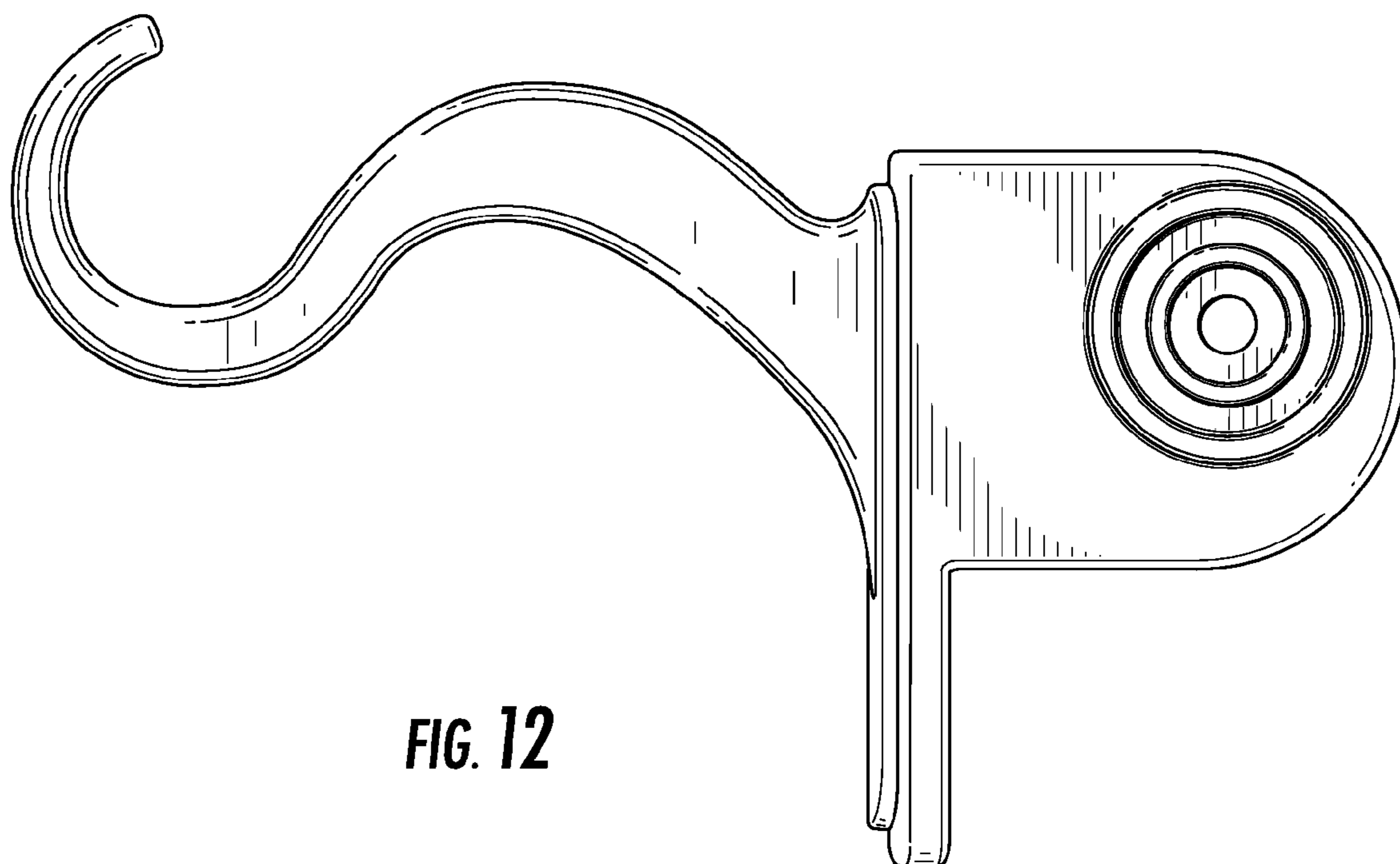


FIG. 12

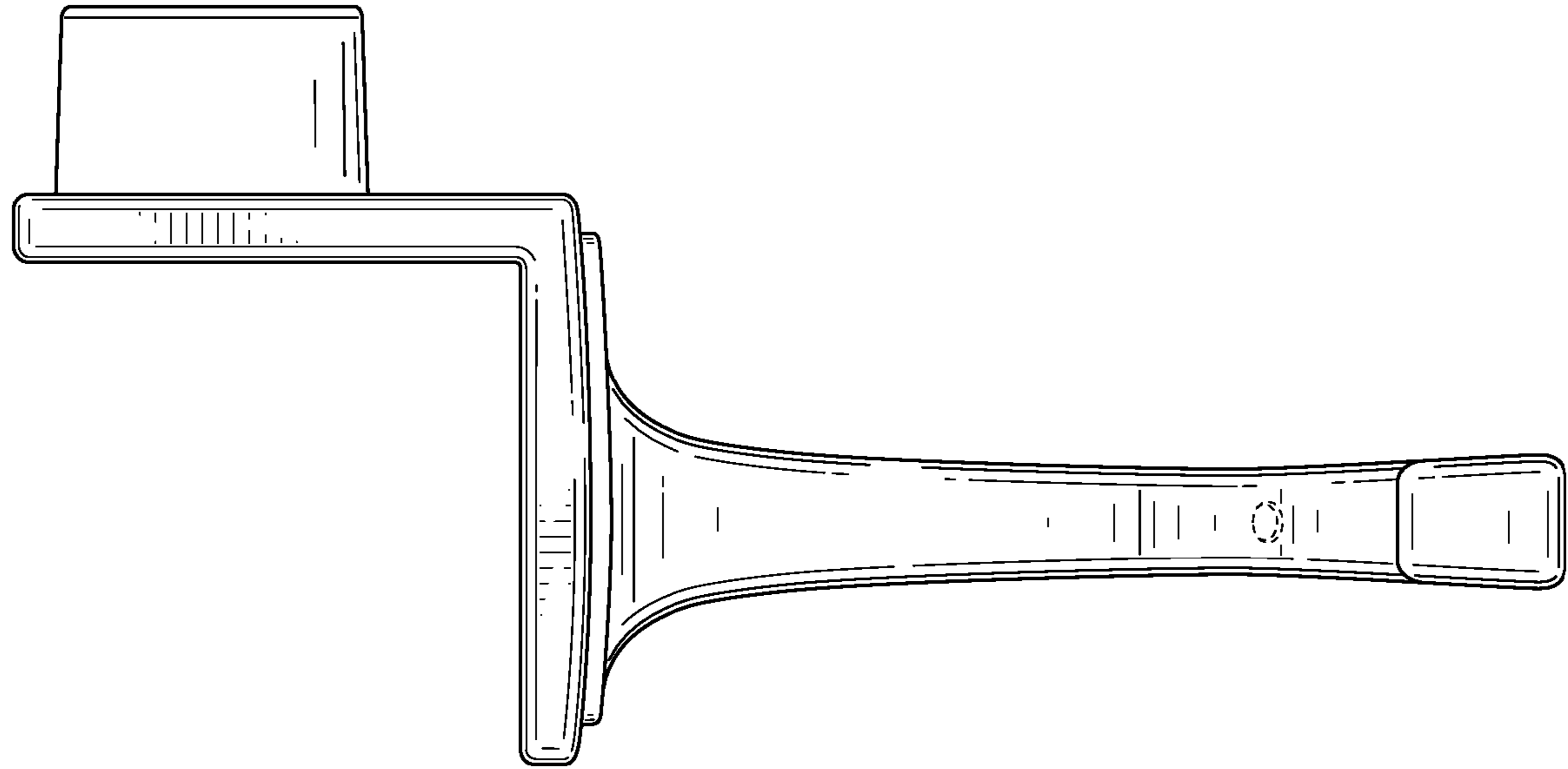


FIG. 13

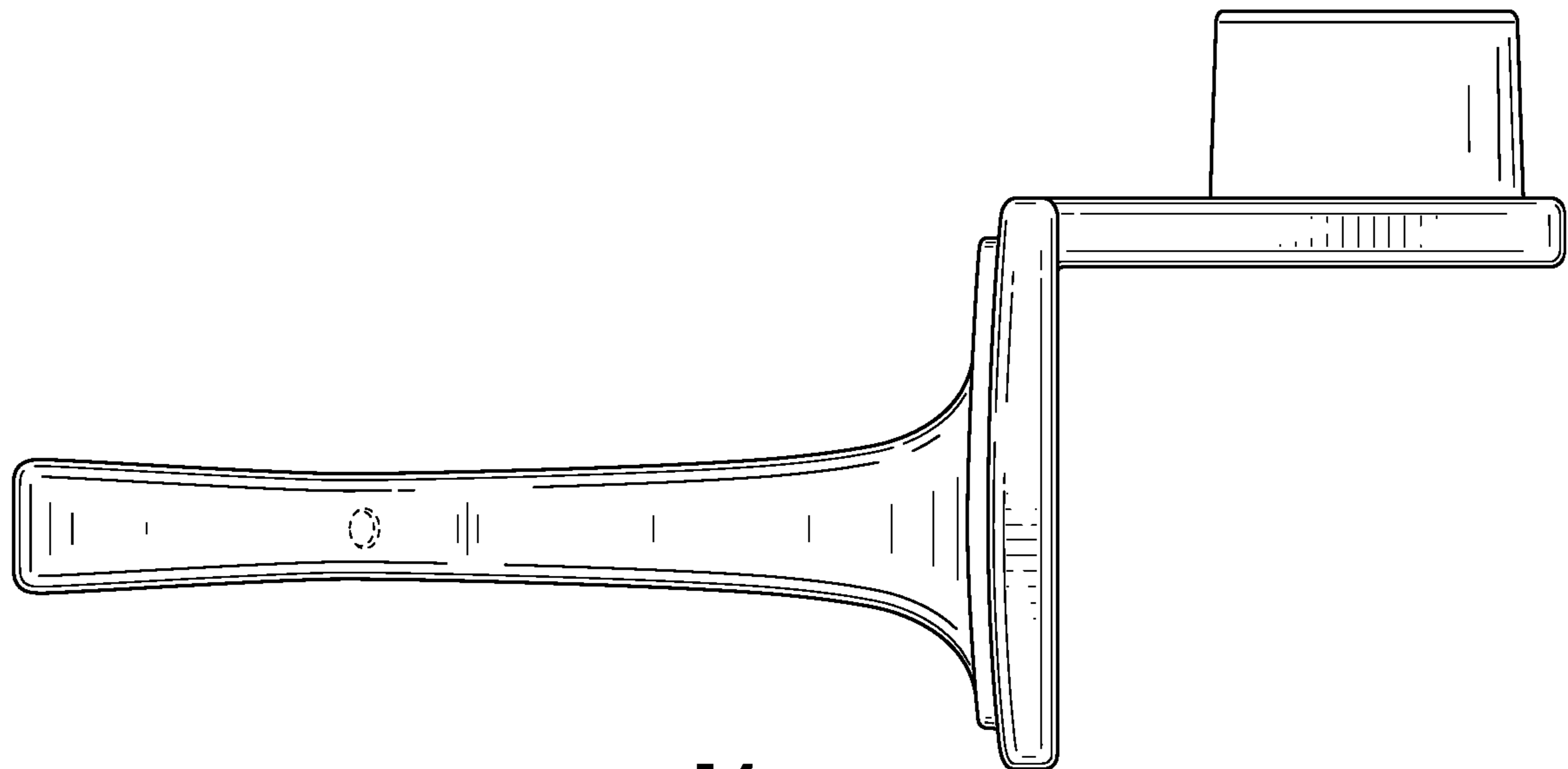


FIG. 14