



US00D611327S

(12) **United States Design Patent**
Chawgo

(10) **Patent No.:** **US D611,327 S**
(45) **Date of Patent:** **** Mar. 9, 2010**

(54) **BONDING BLOCK FOR COAXIAL CABLE**

(75) Inventor: **Shawn Chawgo**, Liverpool, NY (US)

(73) Assignee: **John Mezzalingua Associates, Inc.**,
East Syracuse, NY (US)

(**) Term: **14 Years**

(21) Appl. No.: **29/327,401**

(22) Filed: **Nov. 5, 2008**

Related U.S. Application Data

(63) Continuation of application No. 11/133,051, filed on
May 19, 2005, now Pat. No. 7,462,042.

(51) **LOC (9) Cl.** **08-05**

(52) **U.S. Cl.** **D8/356**

(58) **Field of Classification Search** D8/105,
D8/107, 333, 349, 354, 356, 358, 360, 360.1,
D8/367, 373, 382, 383, 394-396, 400; D13/153;
24/18, 197, 561; 52/220.7; 174/135, 153 G,
174/650, 656; 242/400.1, 405.1, 405.2, 600,
242/603; 248/65, 74.1-74.4, 201, 214, 215,
248/229.26; 439/92-108, 501, 535; 211/26
See application file for complete search history.

(56) **References Cited**

U.S. PATENT DOCUMENTS

- 3,357,665 A * 12/1967 Hand 248/74.1
- 4,355,852 A * 10/1982 Bachle 439/92
- D296,547 S * 7/1988 Sachs D13/148
- D297,410 S * 8/1988 Sachs D8/356
- 4,917,615 A * 4/1990 Franks, Jr. 439/98
- 4,993,960 A * 2/1991 Franks, Jr. 439/92
- D322,744 S * 12/1991 Donalies D8/333
- 5,114,354 A * 5/1992 Franks, Jr. 439/92
- 5,203,716 A * 4/1993 Martucci et al. 439/411
- D340,226 S * 10/1993 Sachs D13/154
- D343,385 S * 1/1994 Sachs D13/154
- 5,777,263 A * 7/1998 Maehler et al. 174/51
- 6,040,525 A * 3/2000 Chauquet et al. 174/40 CC
- D433,308 S * 11/2000 Winston D8/330

- D442,065 S * 5/2001 Rohde D8/356
- 6,252,166 B1 * 6/2001 Leschinger 174/51
- D445,019 S * 7/2001 Vitetta D8/366
- 6,311,935 B1 * 11/2001 Mullen, Jr. 248/74.1
- D459,304 S * 6/2002 Malin D13/133
- D459,305 S * 6/2002 Malin D13/133
- D459,306 S * 6/2002 Malin D13/133
- D473,124 S * 4/2003 Wu et al. D8/356
- D473,448 S * 4/2003 Wu et al. D8/356
- D486,791 S * 2/2004 Franks, Jr. D13/133
- D487,427 S * 3/2004 Franks, Jr. D13/133
- D495,223 S * 8/2004 Altman D8/19
- 6,861,189 B1 * 3/2005 Greene et al. 439/107
- 6,877,996 B1 * 4/2005 Franks, Jr. 439/92
- D508,676 S * 8/2005 Franks, Jr. D13/133

(Continued)

Primary Examiner—T. Chase Nelson

Assistant Examiner—Karen Acker

(74) *Attorney, Agent, or Firm*—Christopher R. Pastel; Pastel
Law Firm

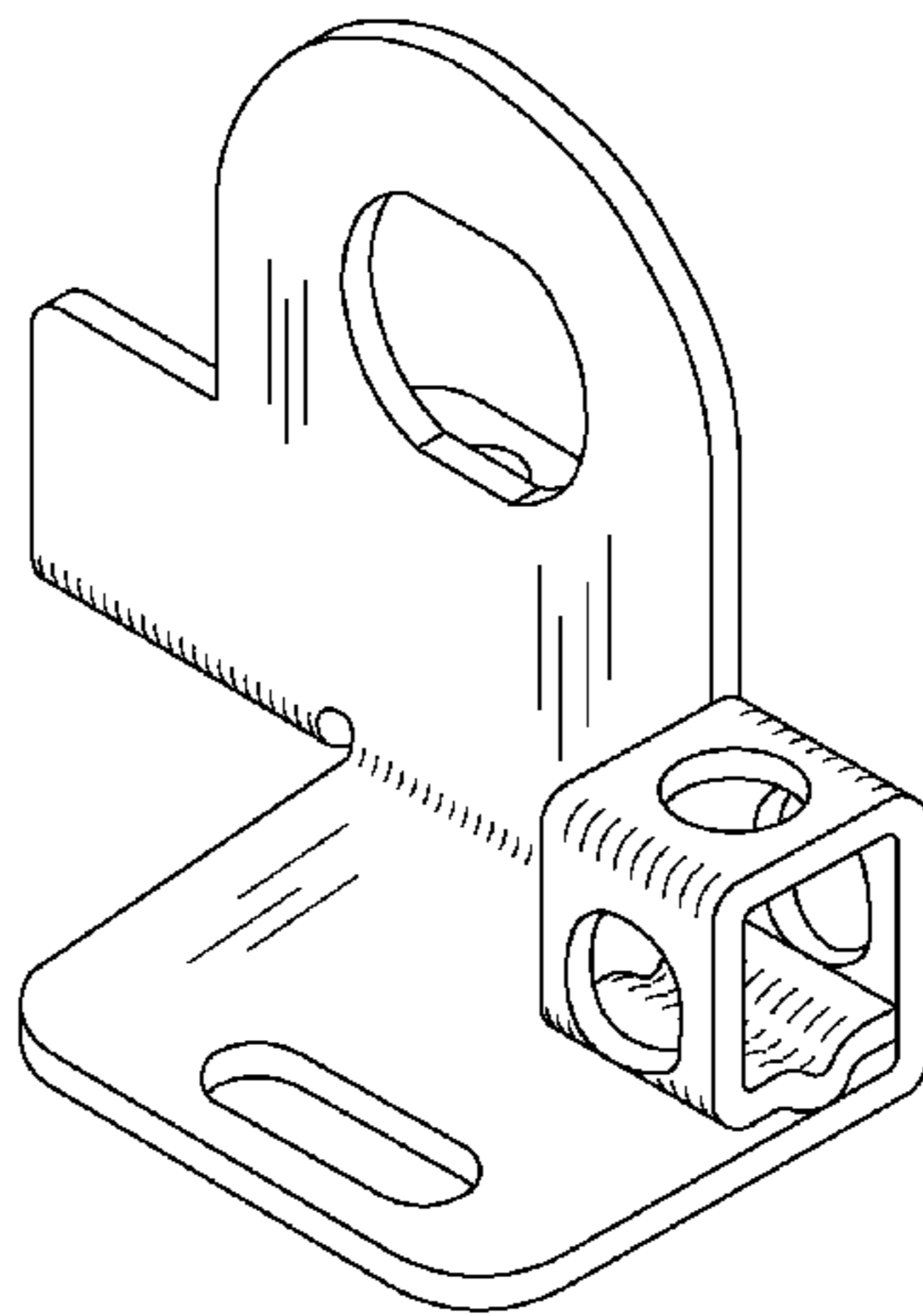
(57) **CLAIM**

The ornamental design for a bonding block for coaxial cable,
as shown and described.

DESCRIPTION

FIG. 1 is a front perspective view of my new design of the
bonding block for coaxial cable of the present invention;
FIG. 2 is a rear perspective view thereof;
FIG. 3 is a front elevation view thereof;
FIG. 4 is a rear elevation view thereof;
FIG. 5 is a top view thereof;
FIG. 6 is a bottom view thereof;
FIG. 7 is a right side elevation view thereof; and,
FIG. 8 is a left side elevation view thereof.

1 Claim, 4 Drawing Sheets



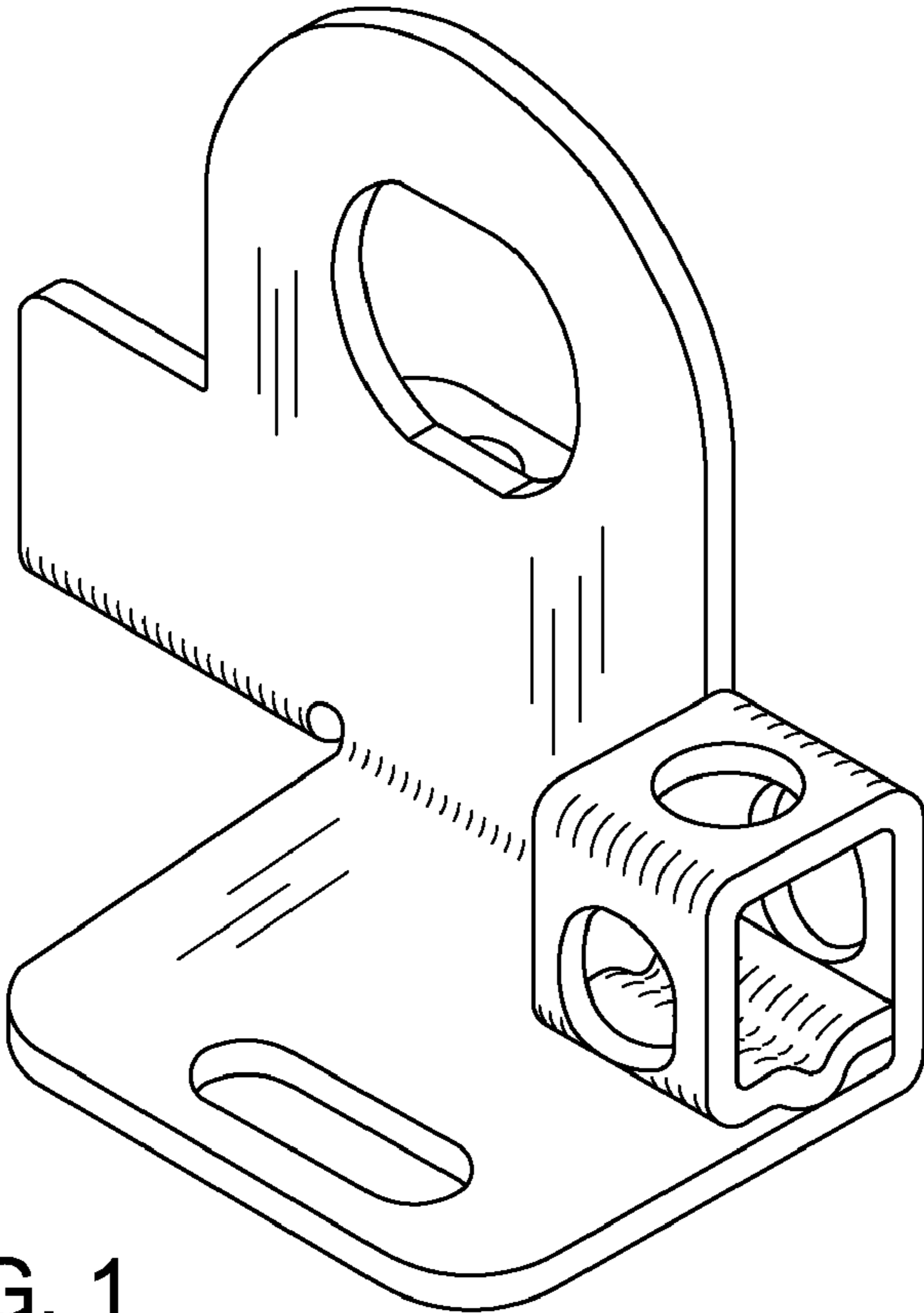


FIG. 1

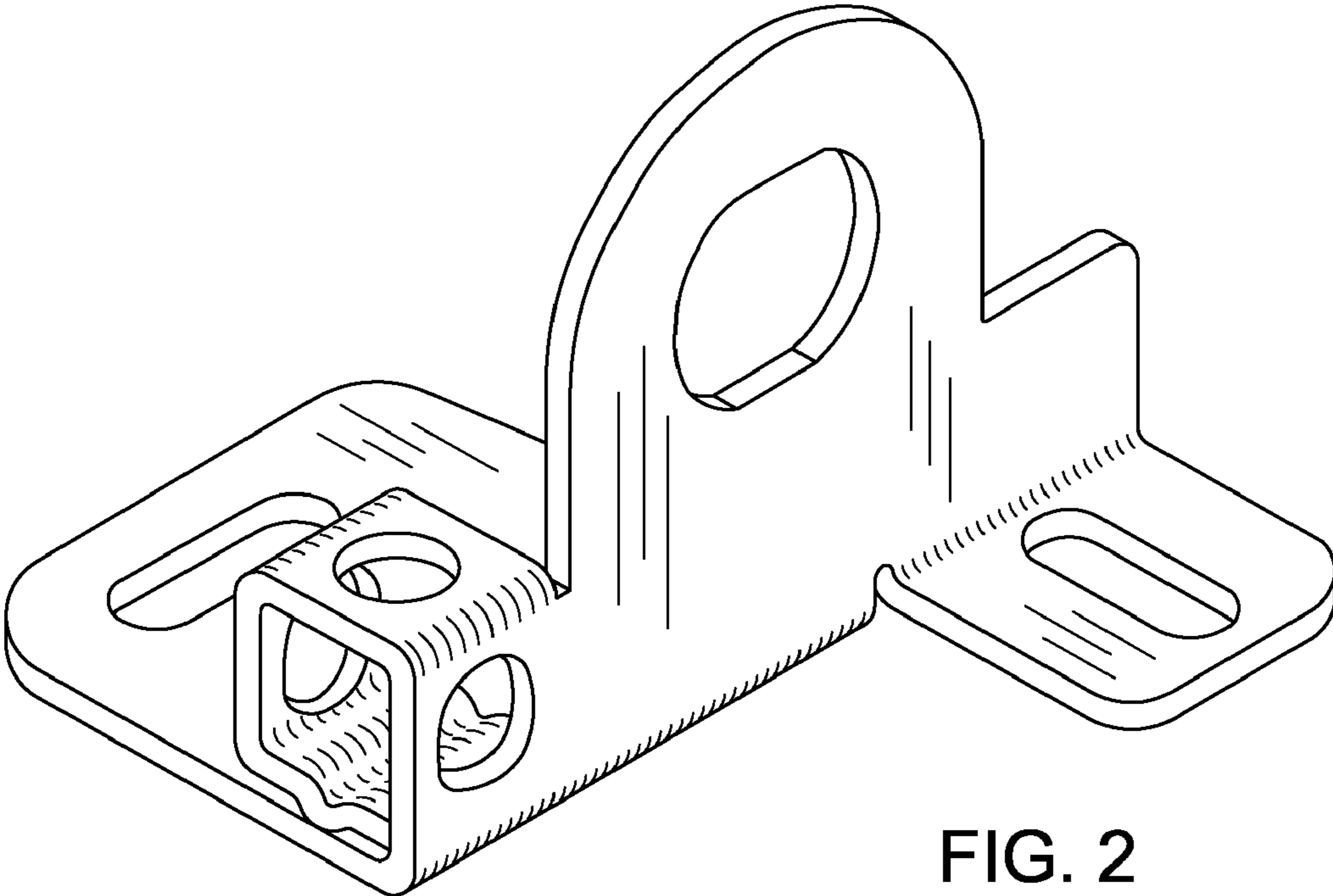


FIG. 2

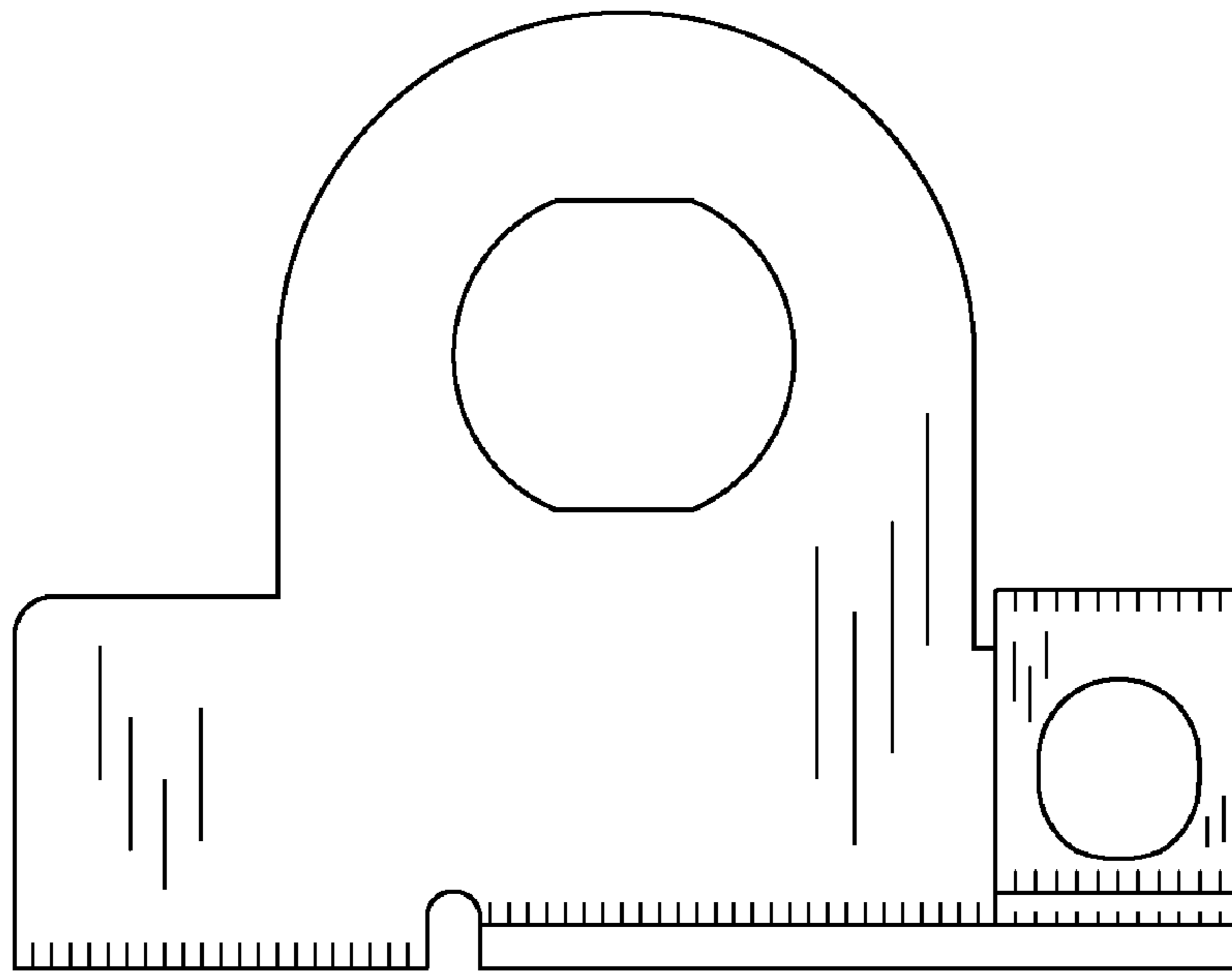


FIG. 3

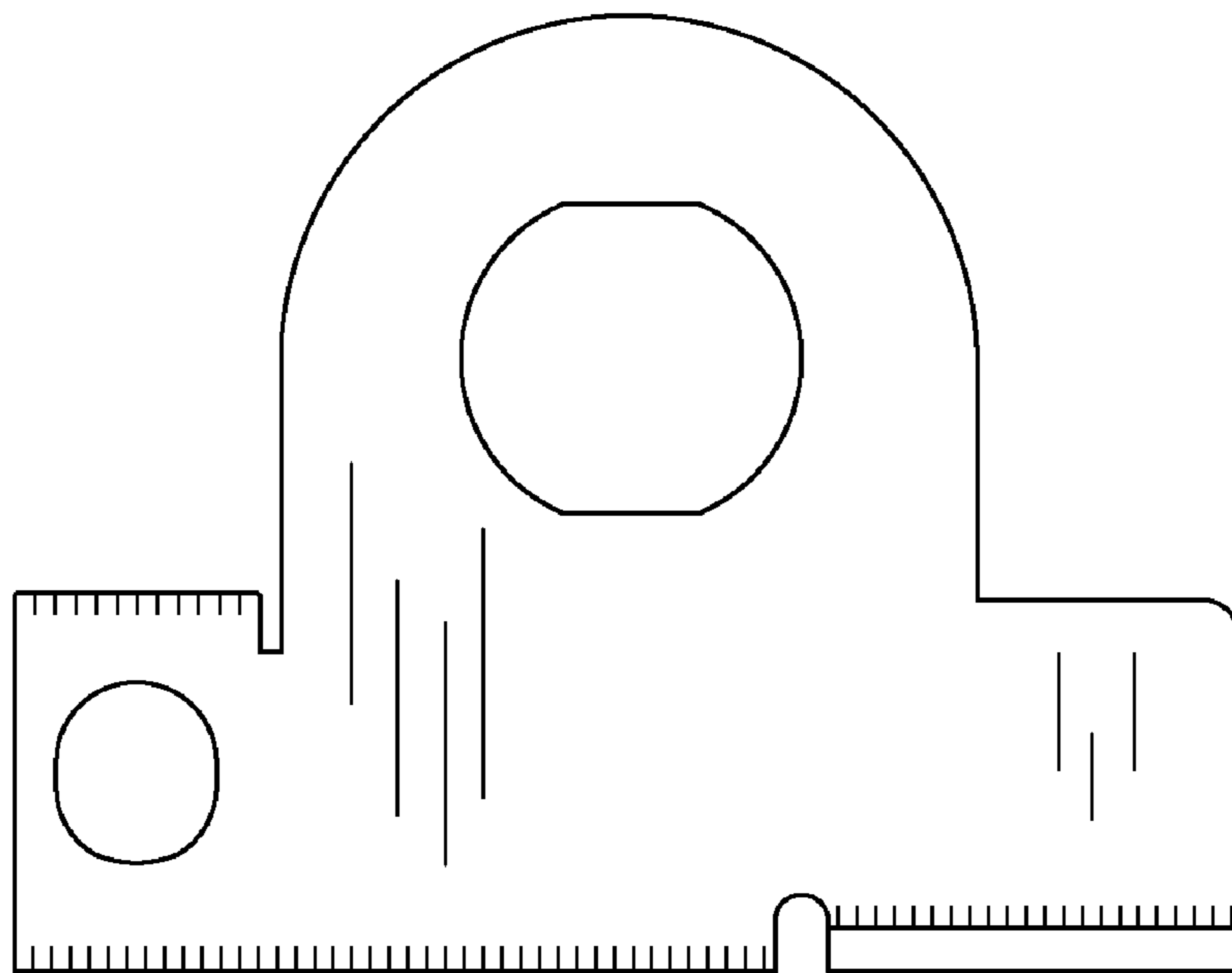
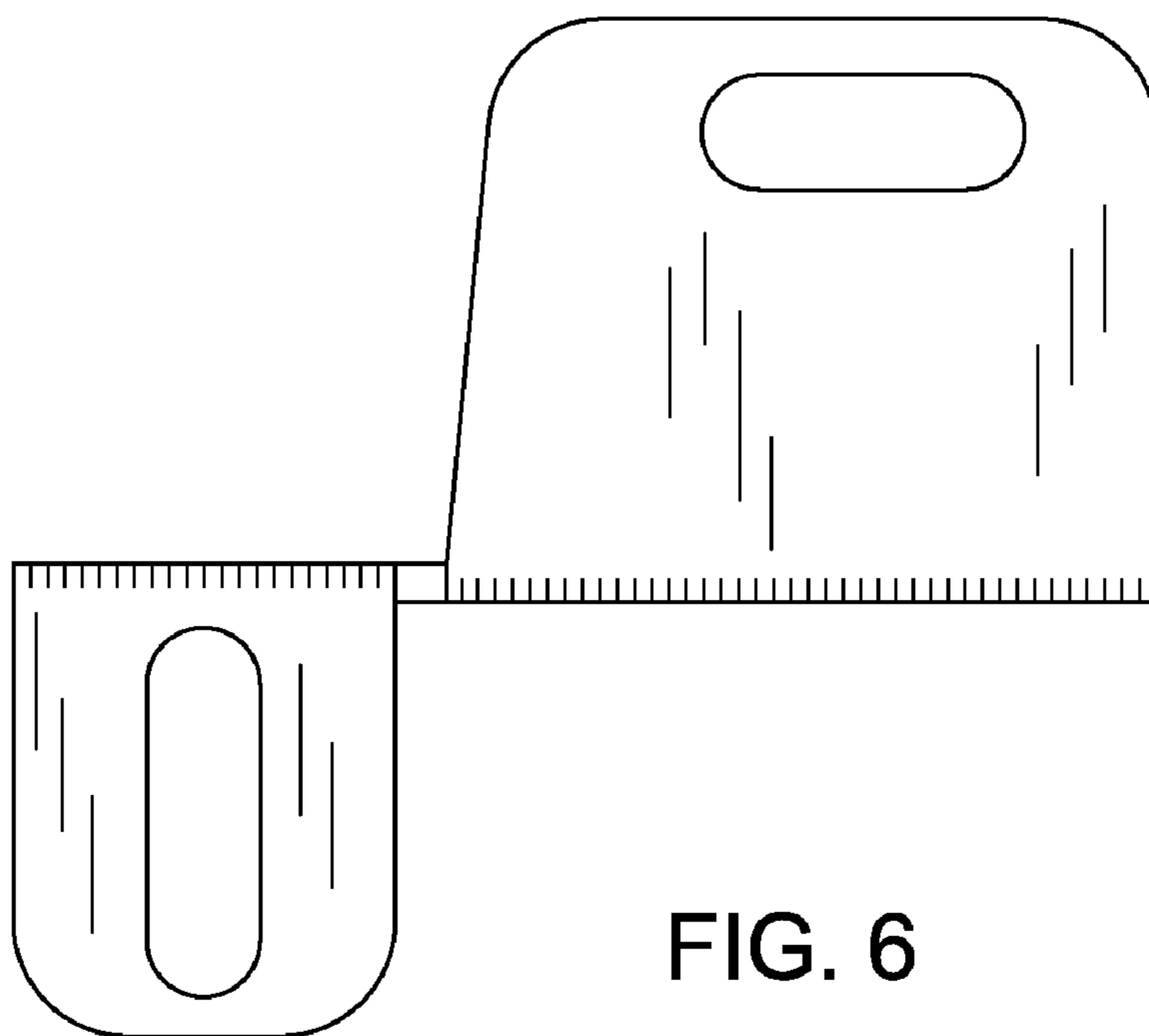
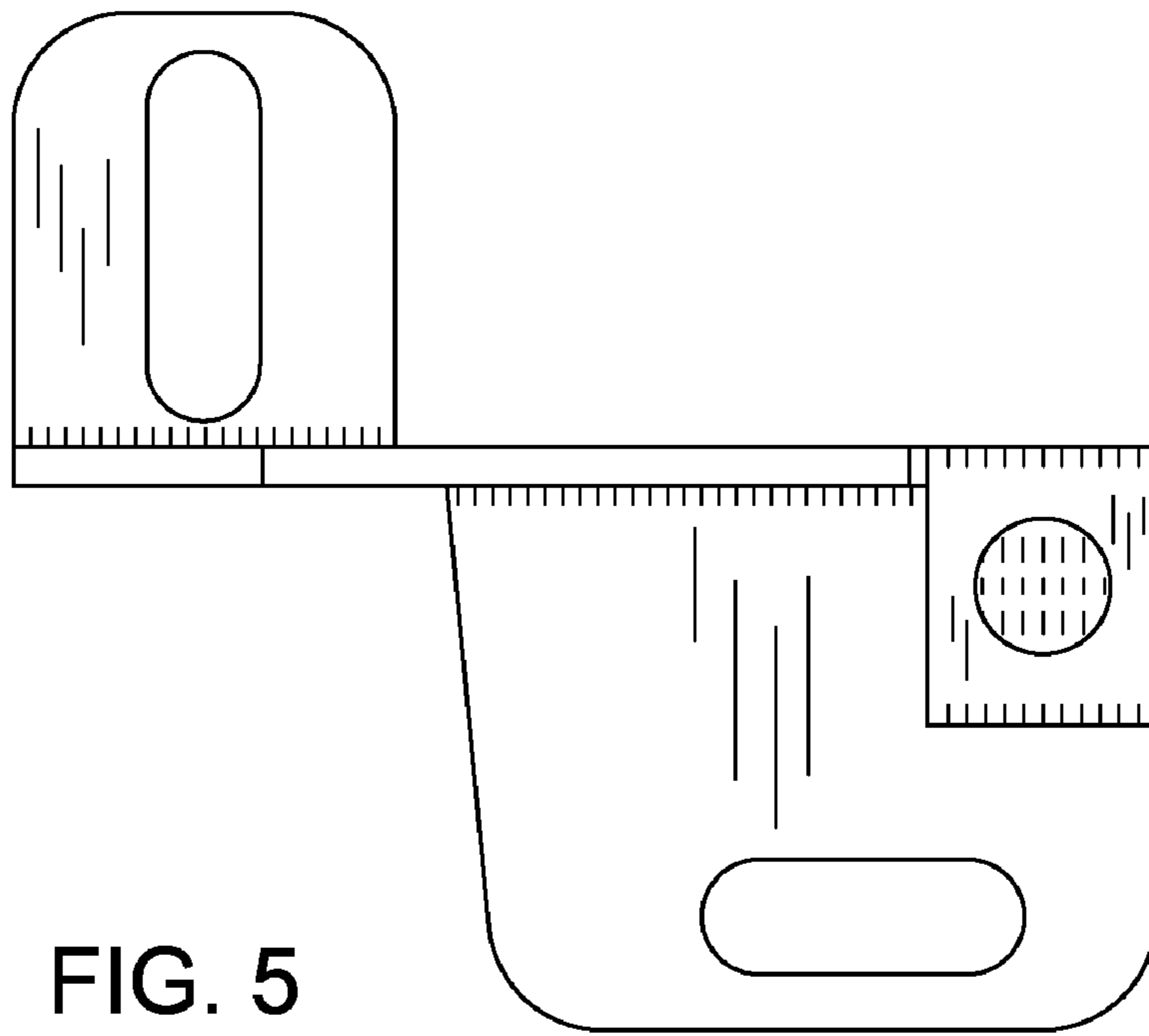


FIG. 4



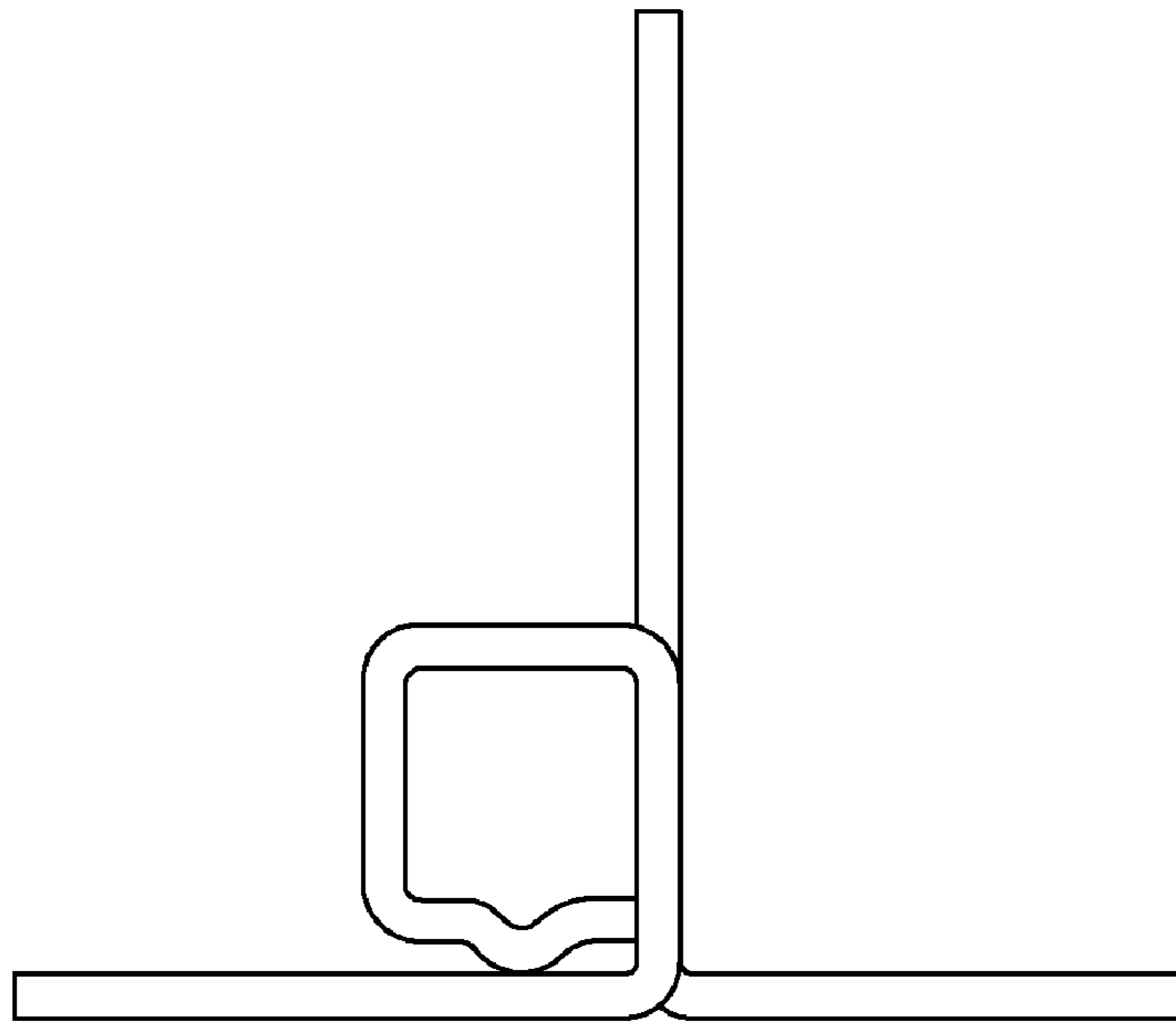


FIG. 7

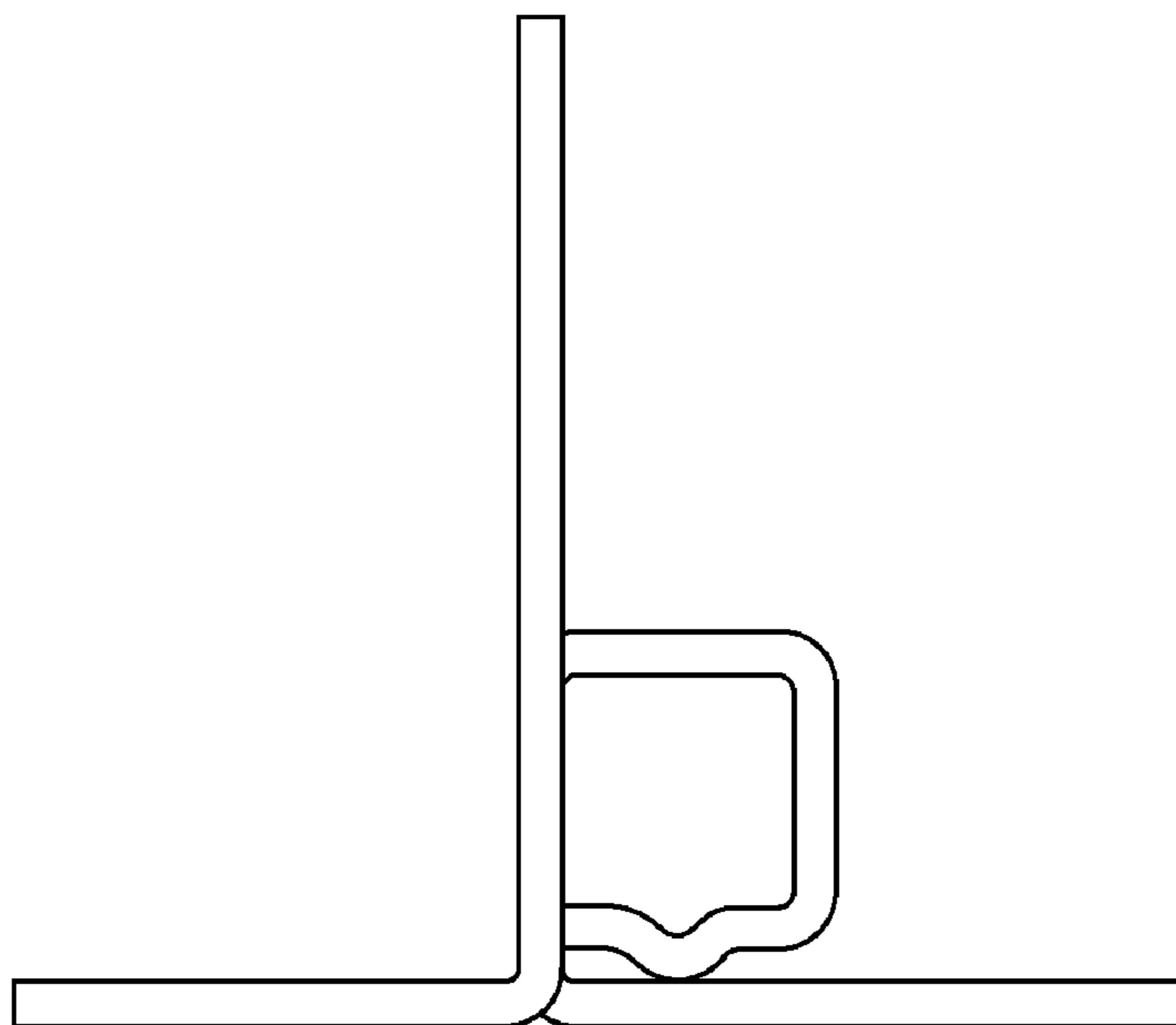


FIG. 8