



US00D611325S

(12) **United States Design Patent**
Zayas

(10) **Patent No.:** **US D611,325 S**
(45) **Date of Patent:** **** Mar. 9, 2010**

(54) **RDC ADAPTER**

(75) Inventor: **Betty Jean Zayas**, Bridgeport, CT (US)

(73) Assignee: **Light Sources, Inc.**, Orange, CT (US)

(**) Term: **14 Years**

(21) Appl. No.: **29/340,762**

(22) Filed: **Jul. 24, 2009**

(51) **LOC (9) Cl.** **08-07**

(52) **U.S. Cl.** **D8/347**

(58) **Field of Classification Search** D8/347,
D8/348; 70/336, 344, 382, 390, 393, 416,
70/419, 429, 430, 447, 460, 387; D3/207,
D3/208

See application file for complete search history.

(56) **References Cited**

U.S. PATENT DOCUMENTS

3,764,044	A *	10/1973	Pajak	222/394
3,771,105	A *	11/1973	Yamazaki et al.	439/892
4,625,599	A *	12/1986	Icard	81/461
5,440,910	A *	8/1995	Florian	70/456 R
5,577,686	A *	11/1996	Moody	242/597.4
5,819,569	A *	10/1998	Herdman	70/420
6,314,774	B1 *	11/2001	Andersson	70/358
D457,051	S *	5/2002	Davis	D8/347
6,910,355	B2 *	6/2005	Swanson	70/232
D594,733	S *	6/2009	Agresta	D8/347
D595,113	S *	6/2009	Agresta	D8/347
D600,096	S *	9/2009	Zayas	D8/347

* cited by examiner

Primary Examiner—Prabhakar Deshmukh
(74) *Attorney, Agent, or Firm*—Cantor Colburn LLP

(57) **CLAIM**

I claim; the ornamental design for a RDC adapter, as shown and described.

DESCRIPTION

FIG. 1 is a front perspective view of an RDC (Recessed Dual Connector) adapter showing my new design;

FIG. 2 is a rear perspective view of FIG. 1;

FIG. 3 is a top view of FIG. 1;

FIG. 4 is a front view of FIG. 1;

FIG. 5 is a side view of FIG. 1;

FIG. 6 is a rear view of FIG. 1.;

FIG. 7 is a cross sectional view along line 7—7 of FIG. 5;

FIG. 8 is a cross sectional view along line 8—8 of FIG. 6;

FIG. 9 is a front perspective view of the RDC adapter showing it in its environmental use;

FIG. 10 is a rear perspective view of FIG. 9;

FIG. 11 is a top view of FIG. 9;

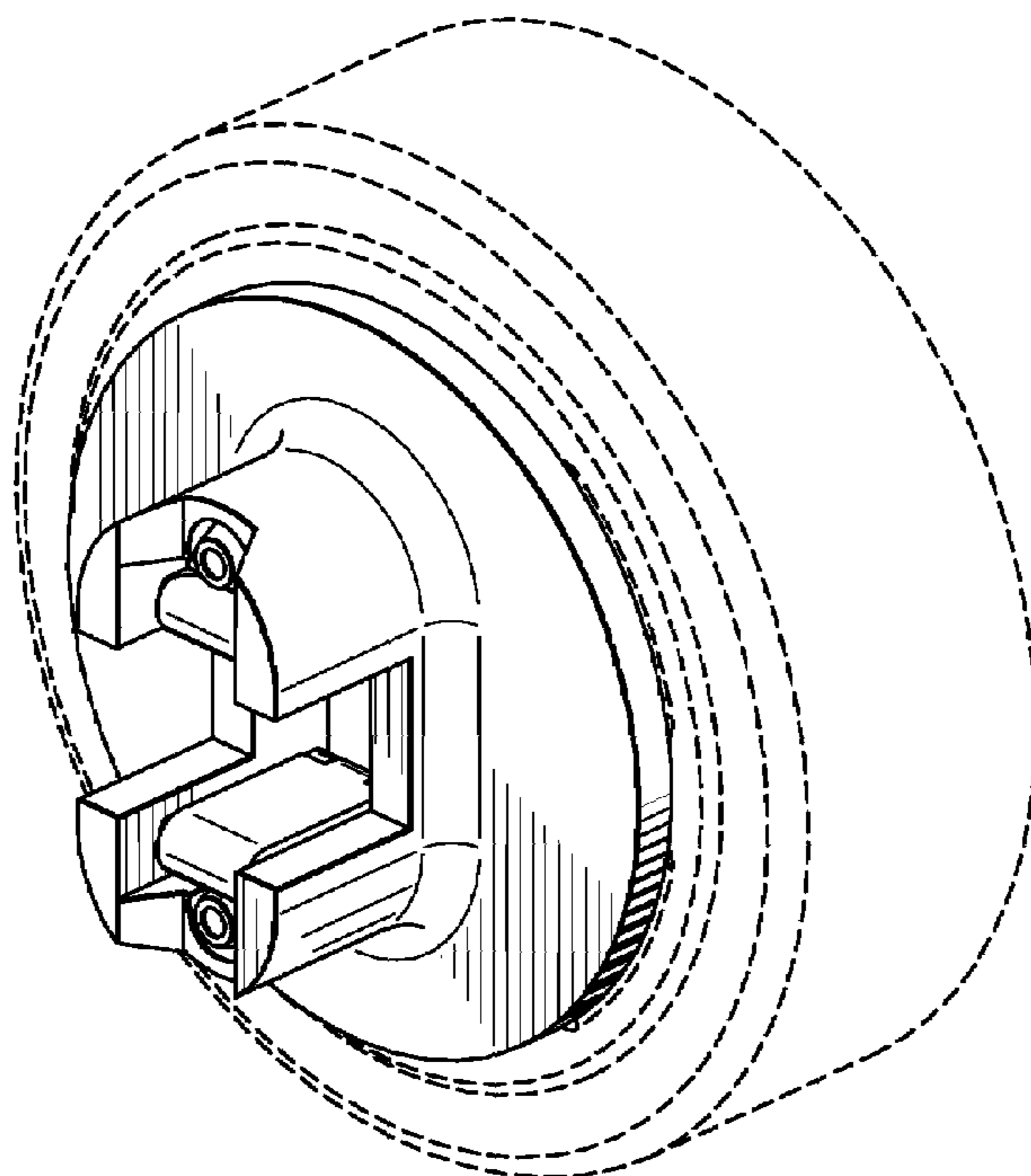
FIG. 12 is a front view of FIG. 9;

FIG. 13 is a side view of FIG. 9; and,

FIG. 14 is a rear side view of FIG. 9.

The broken lines environment in FIGS. 9—14 is for illustrative purpose only and forms no part of the claimed design.

1 Claim, 6 Drawing Sheets



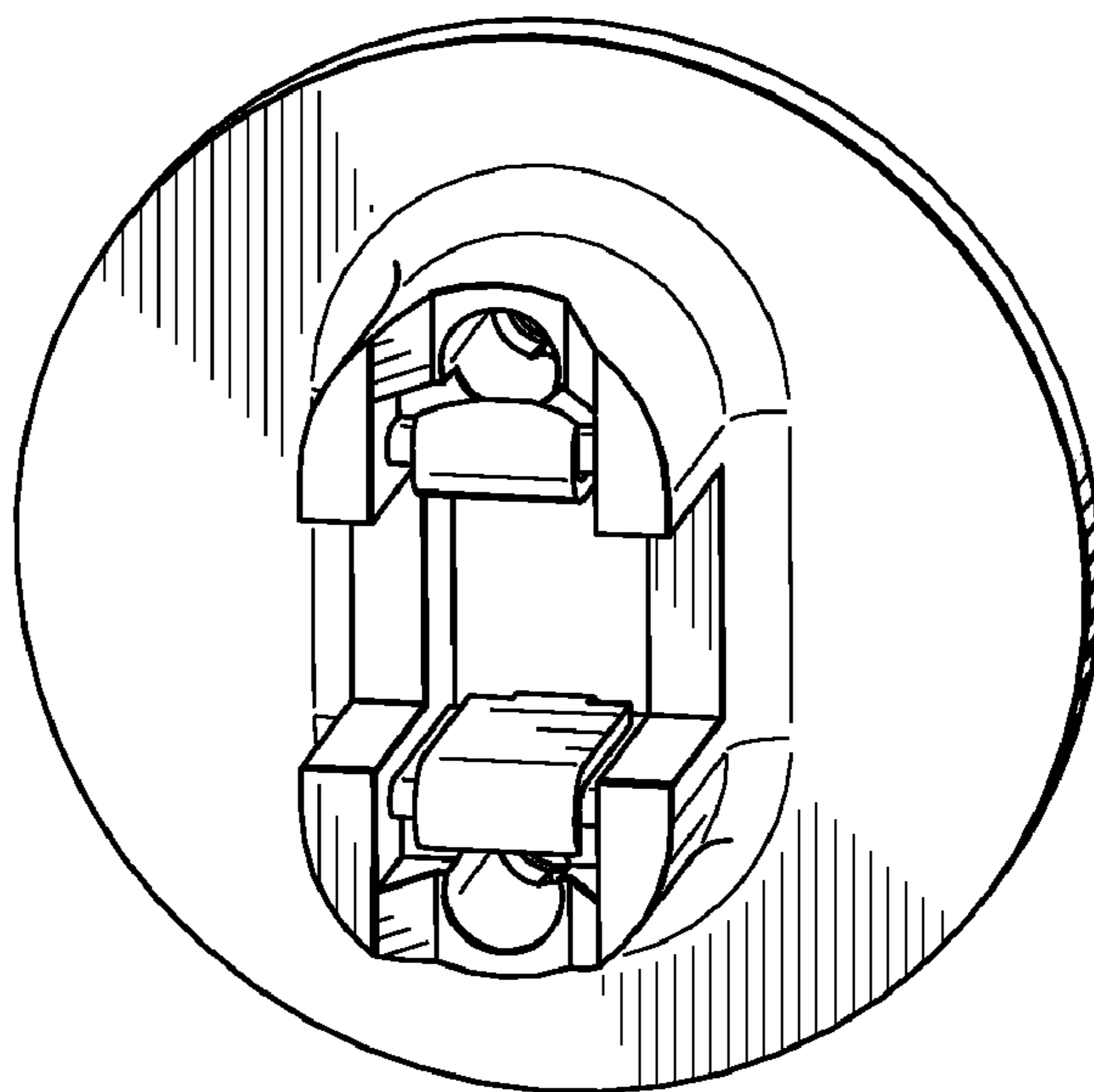


Fig. 1

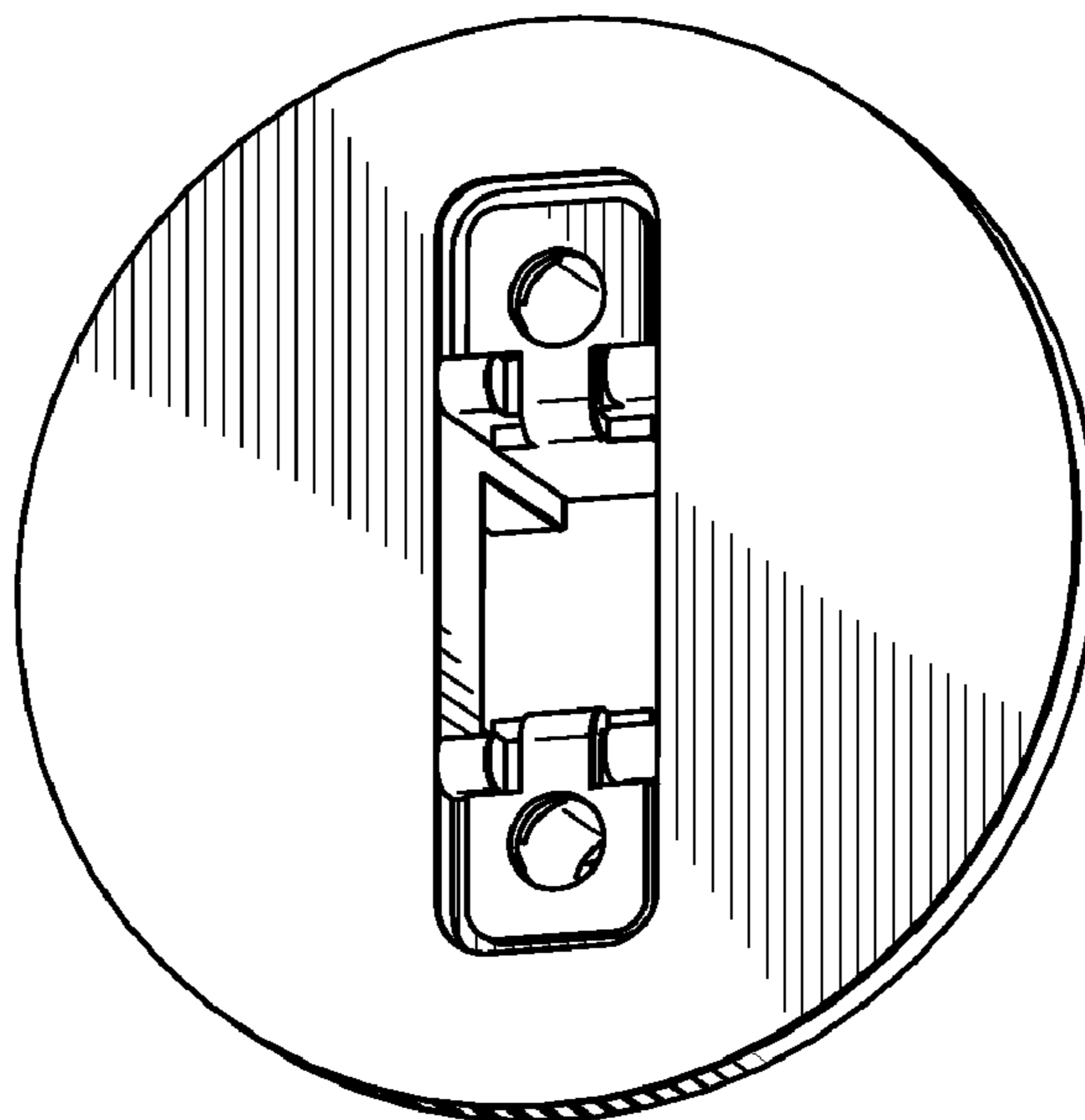


Fig. 2

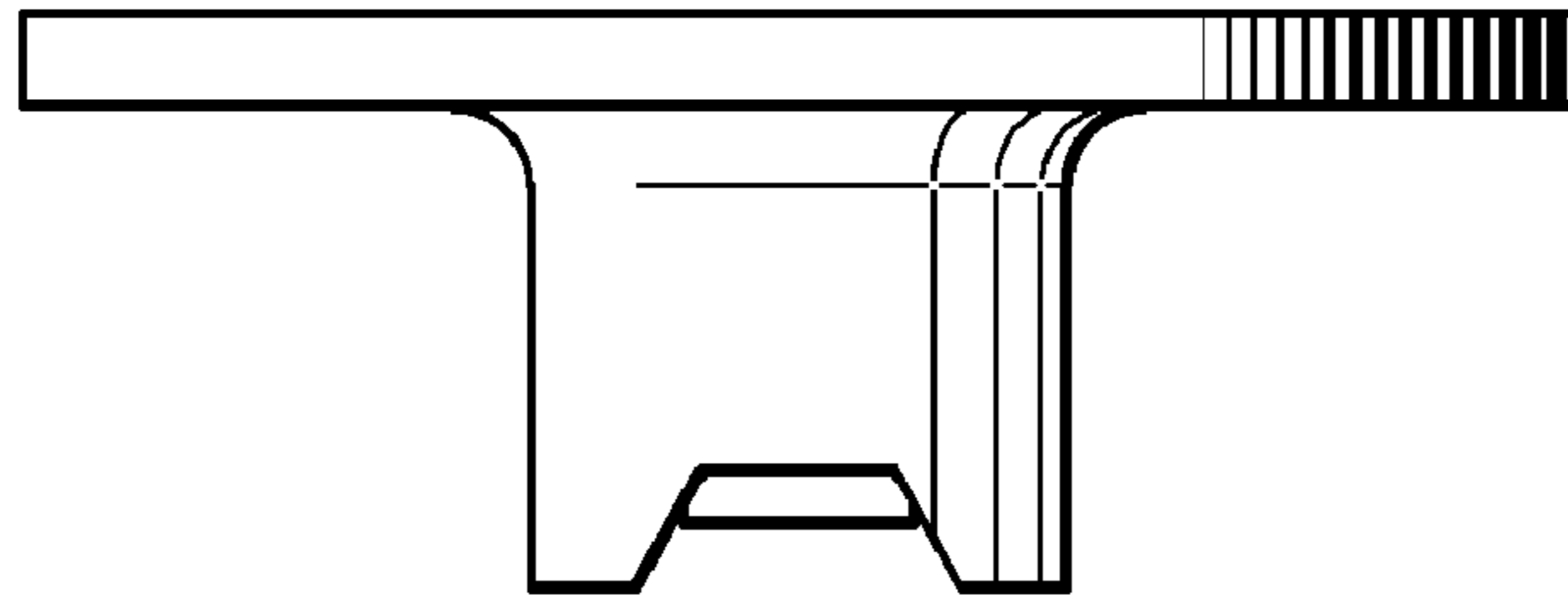


Fig. 3

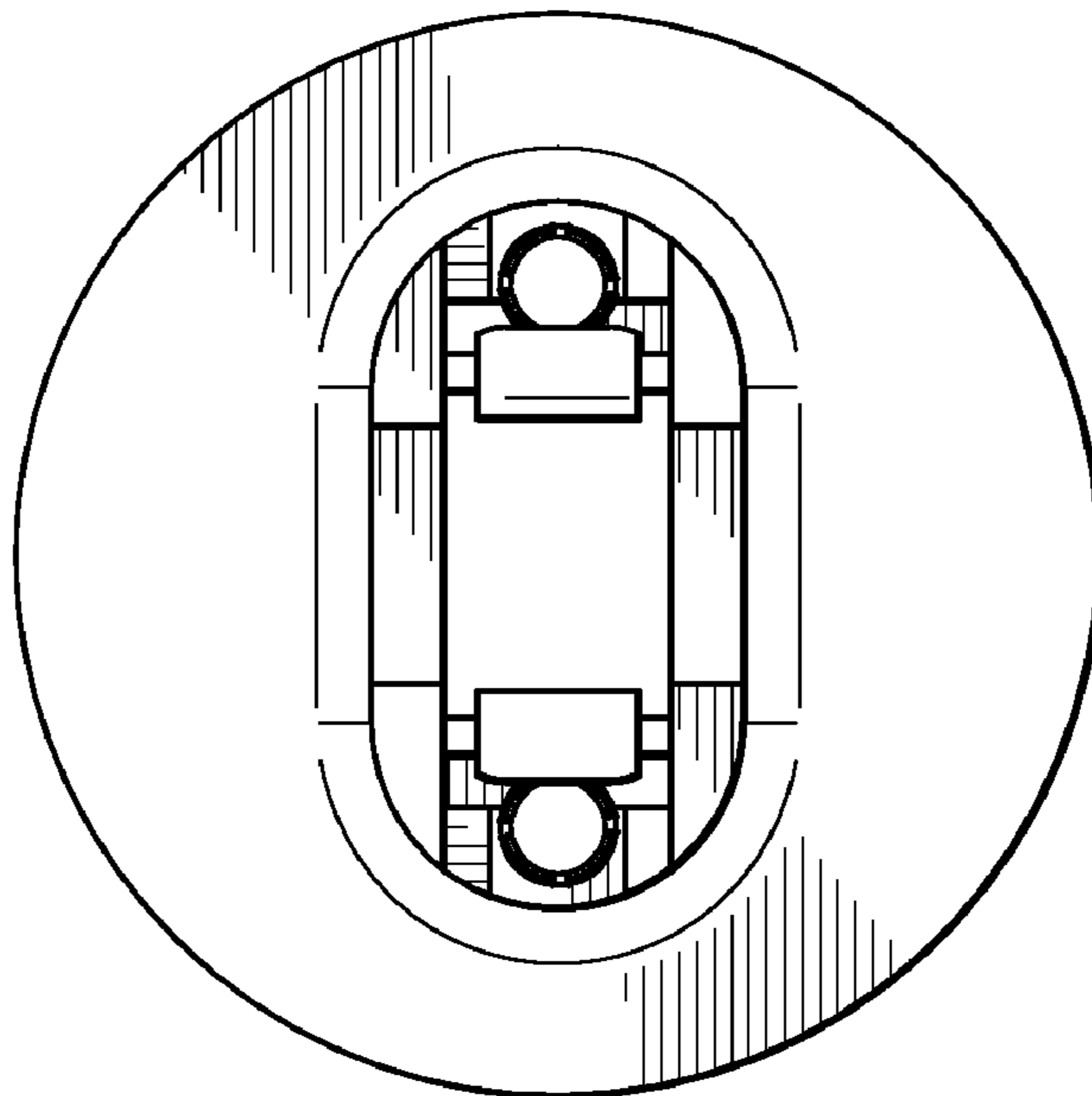


Fig. 4

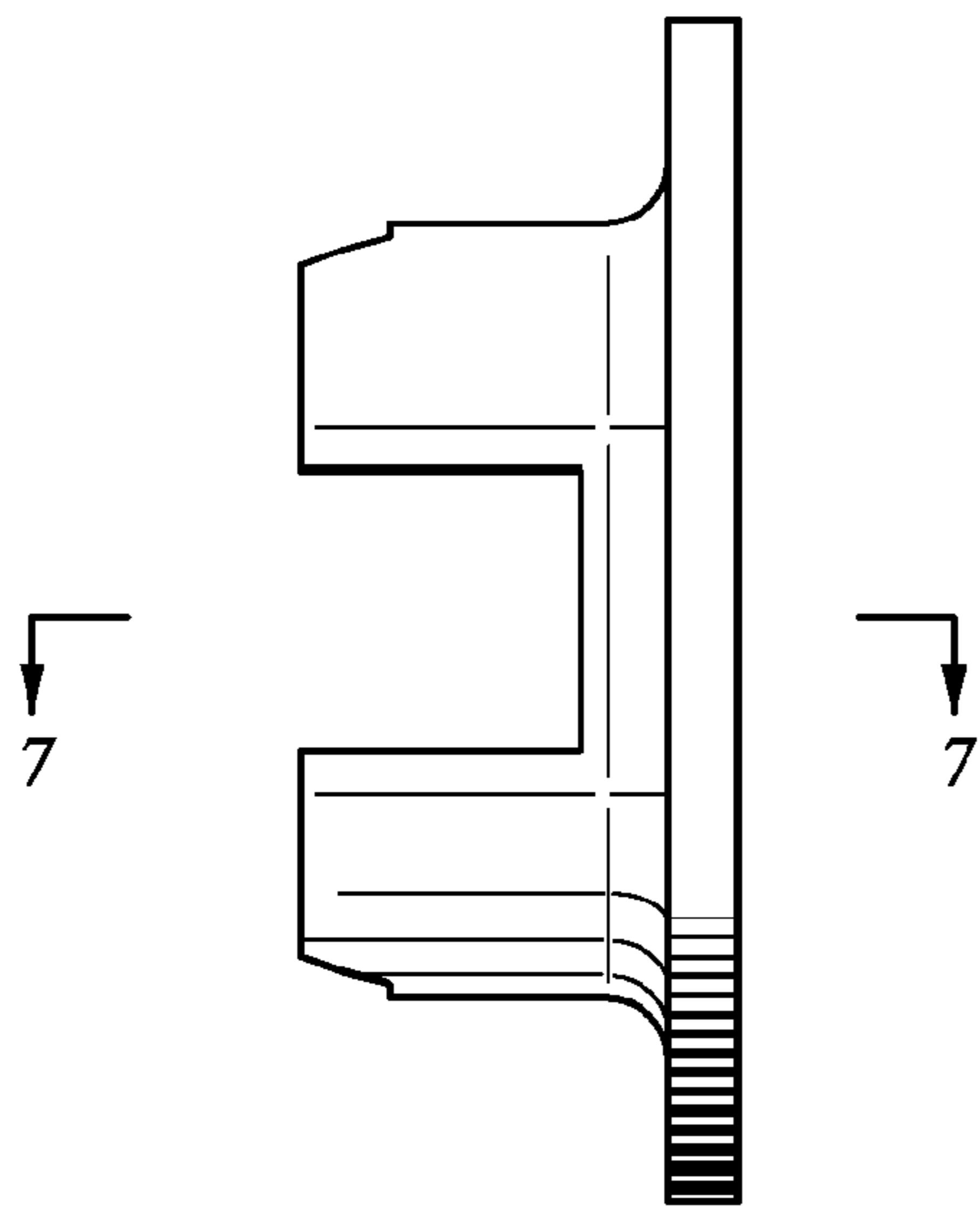


Fig. 5

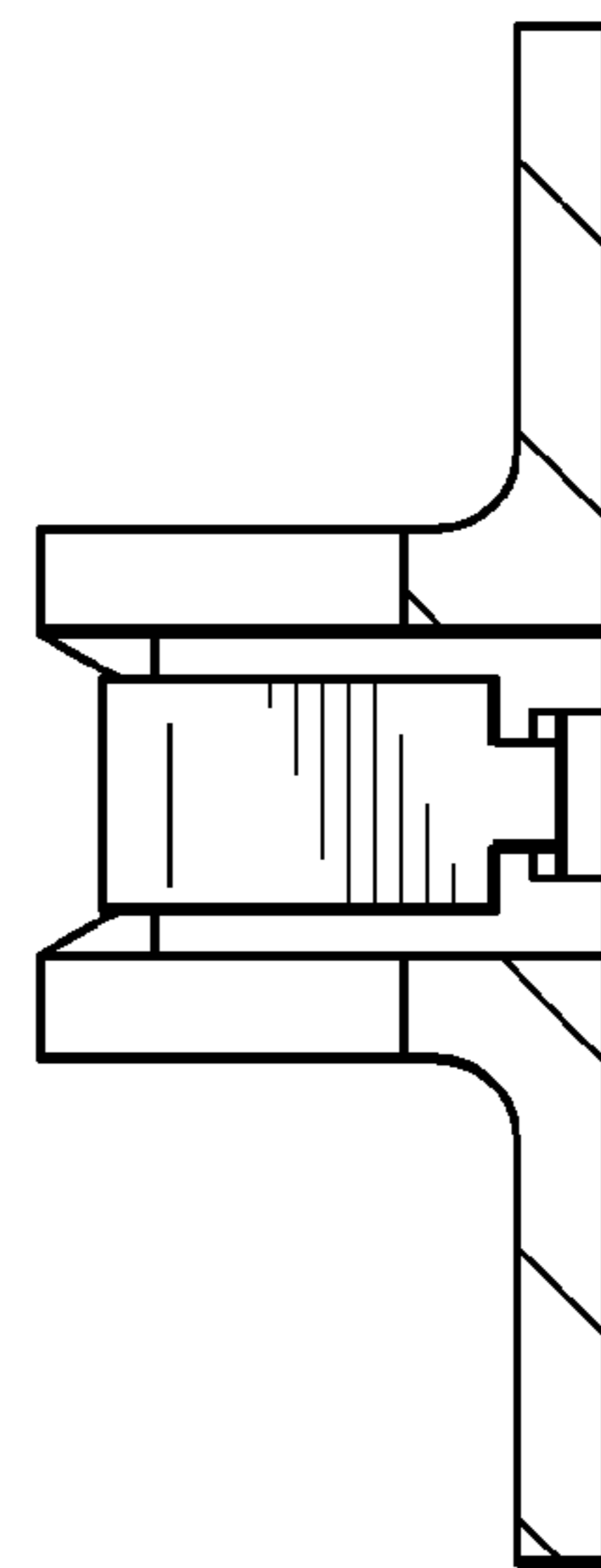


Fig. 7

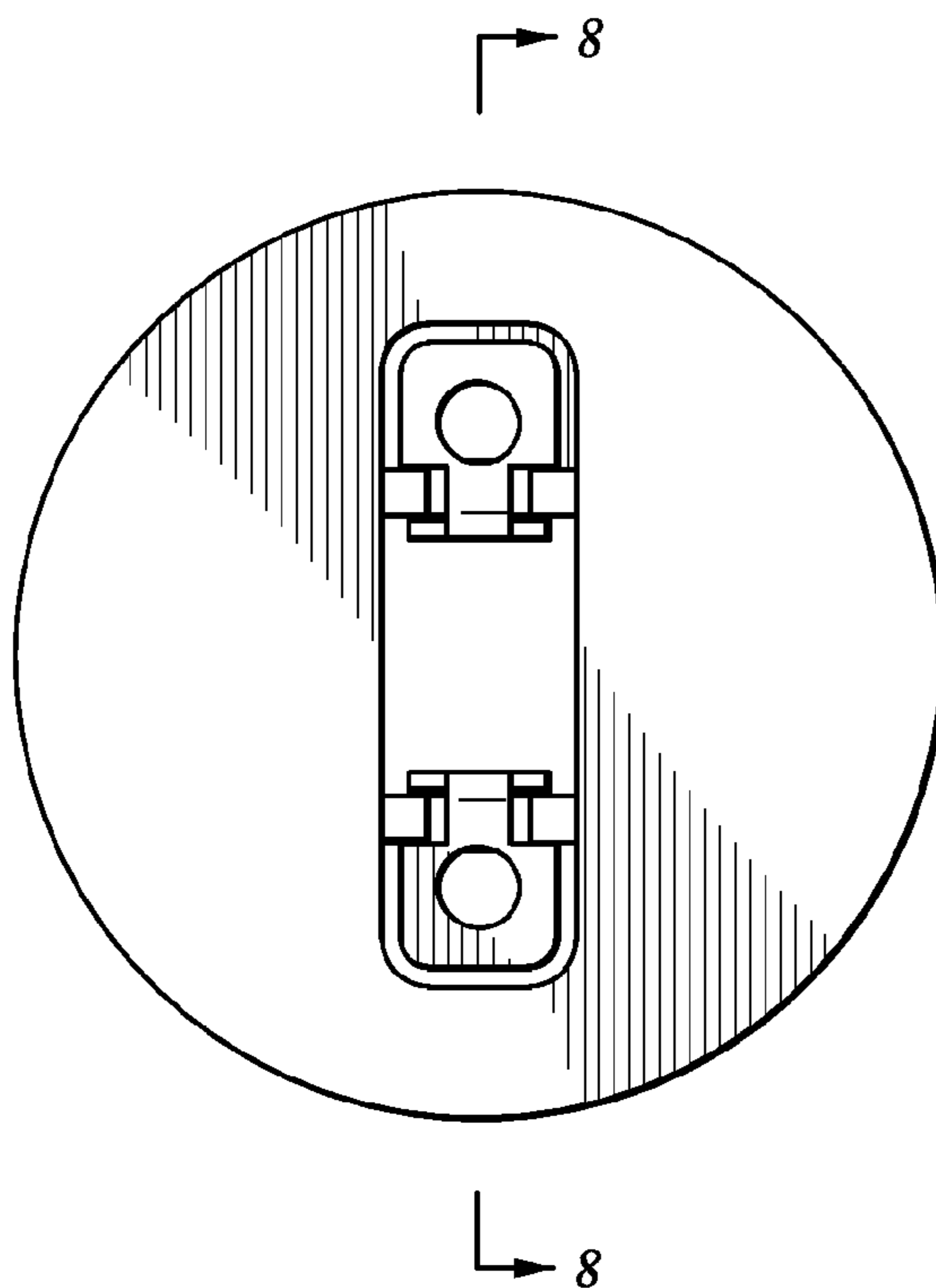


Fig. 6

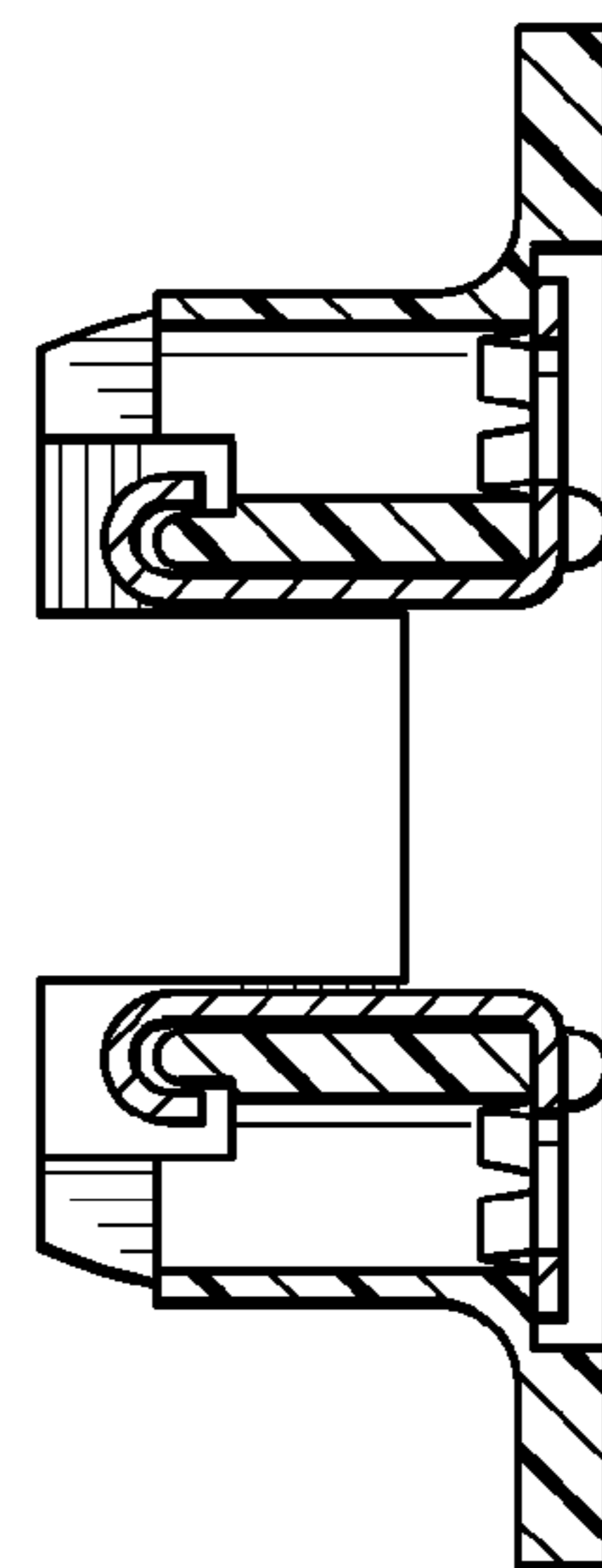


Fig. 8

Fig. 9

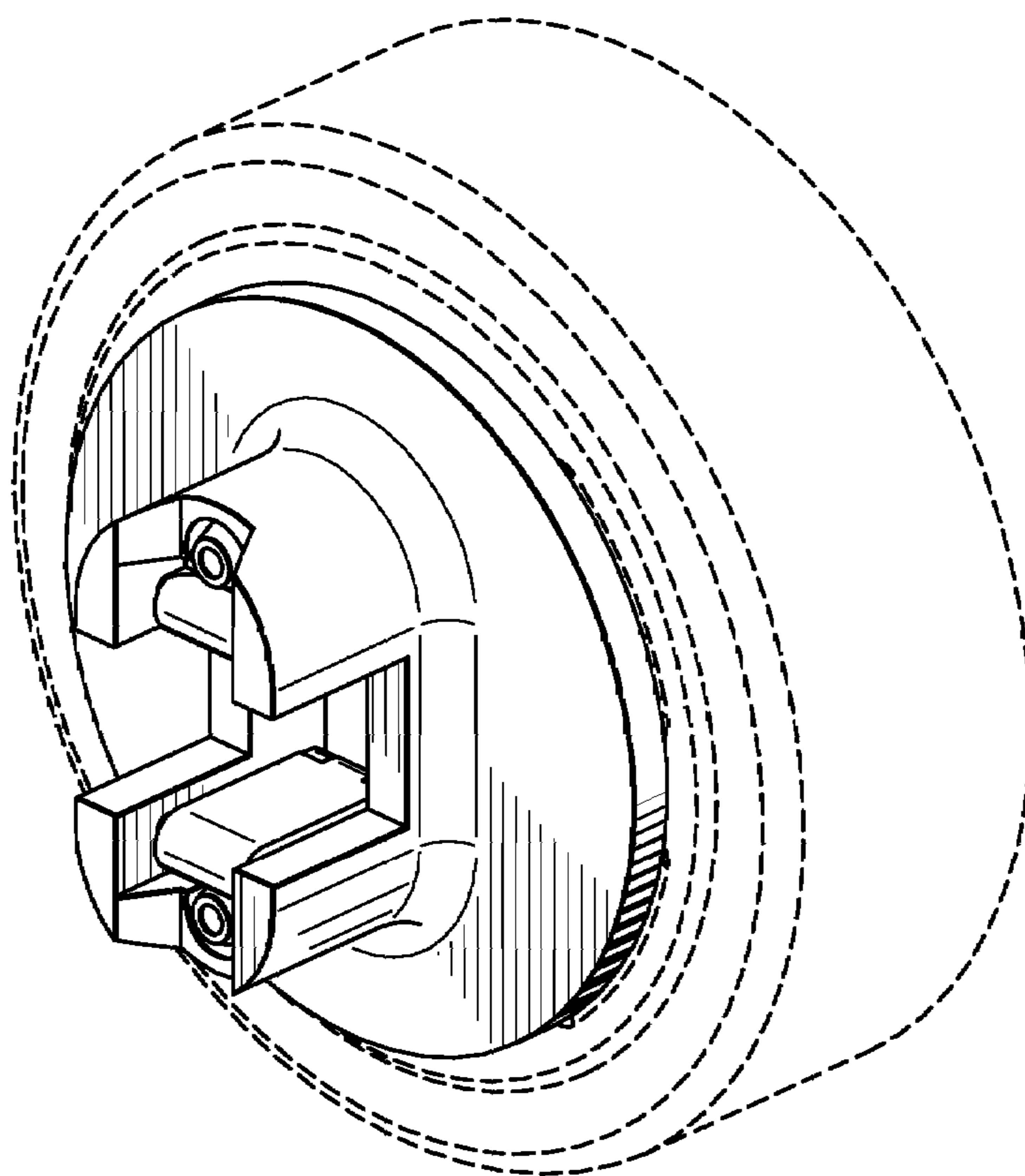
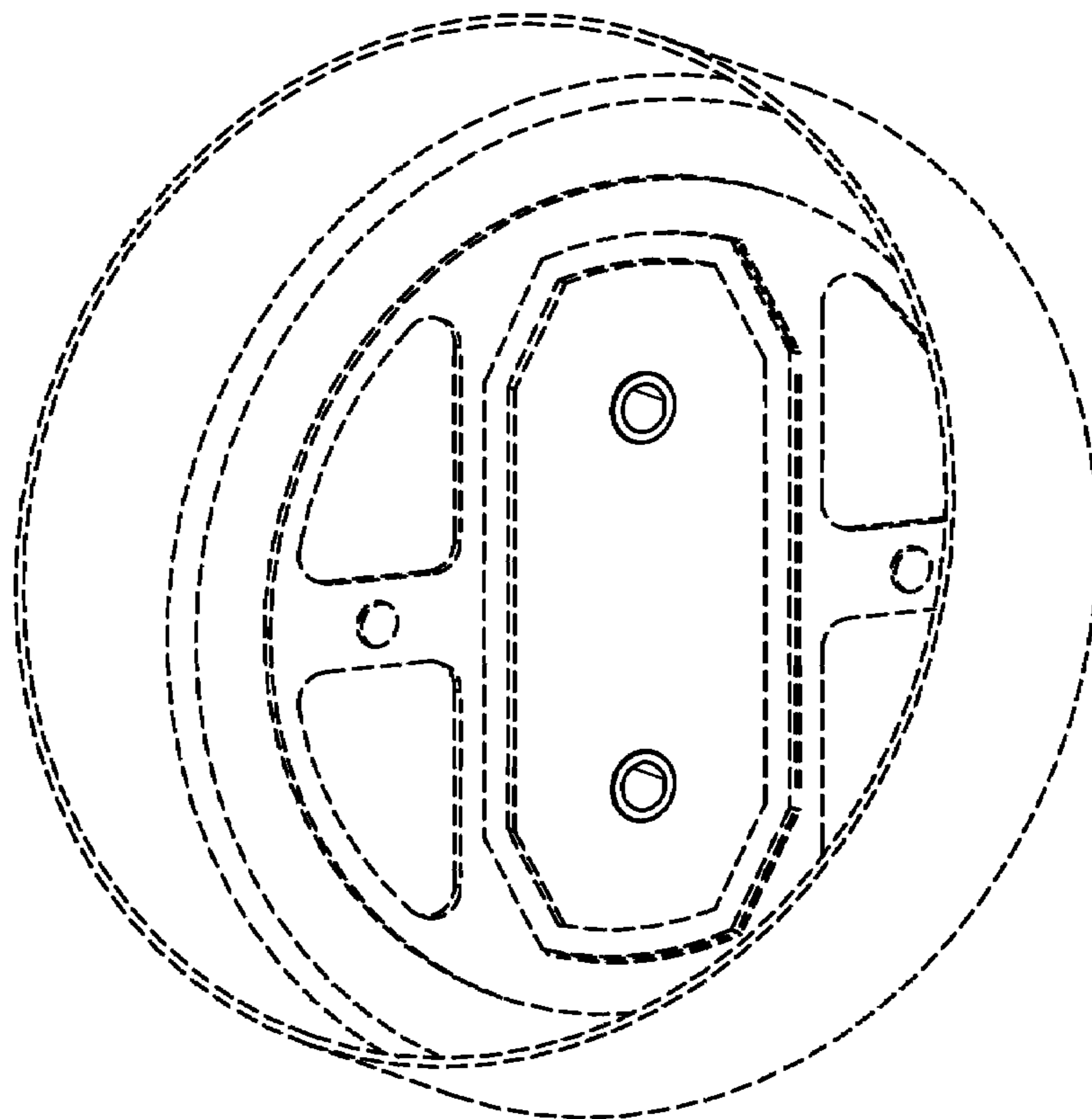


Fig. 10



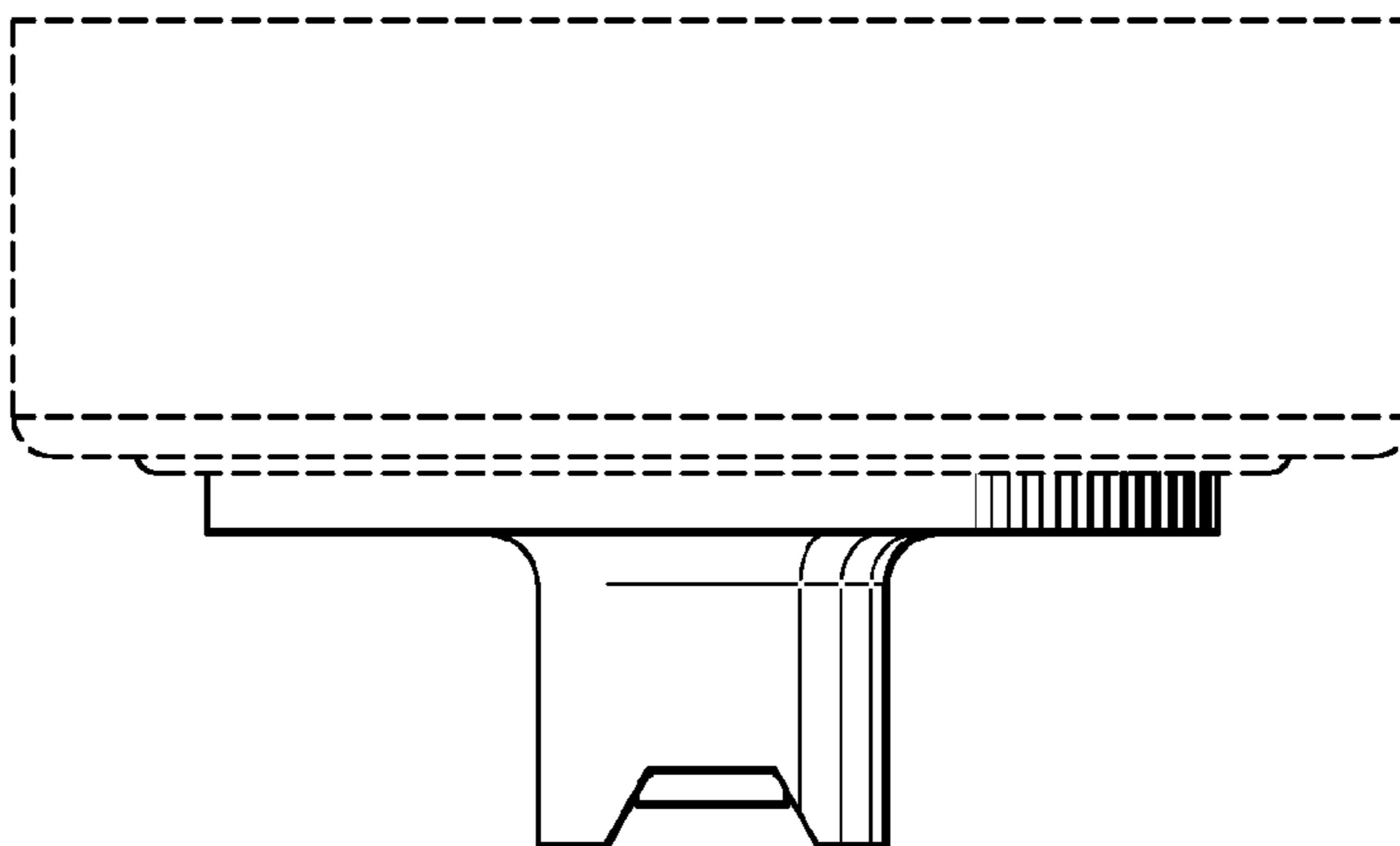


Fig. 11

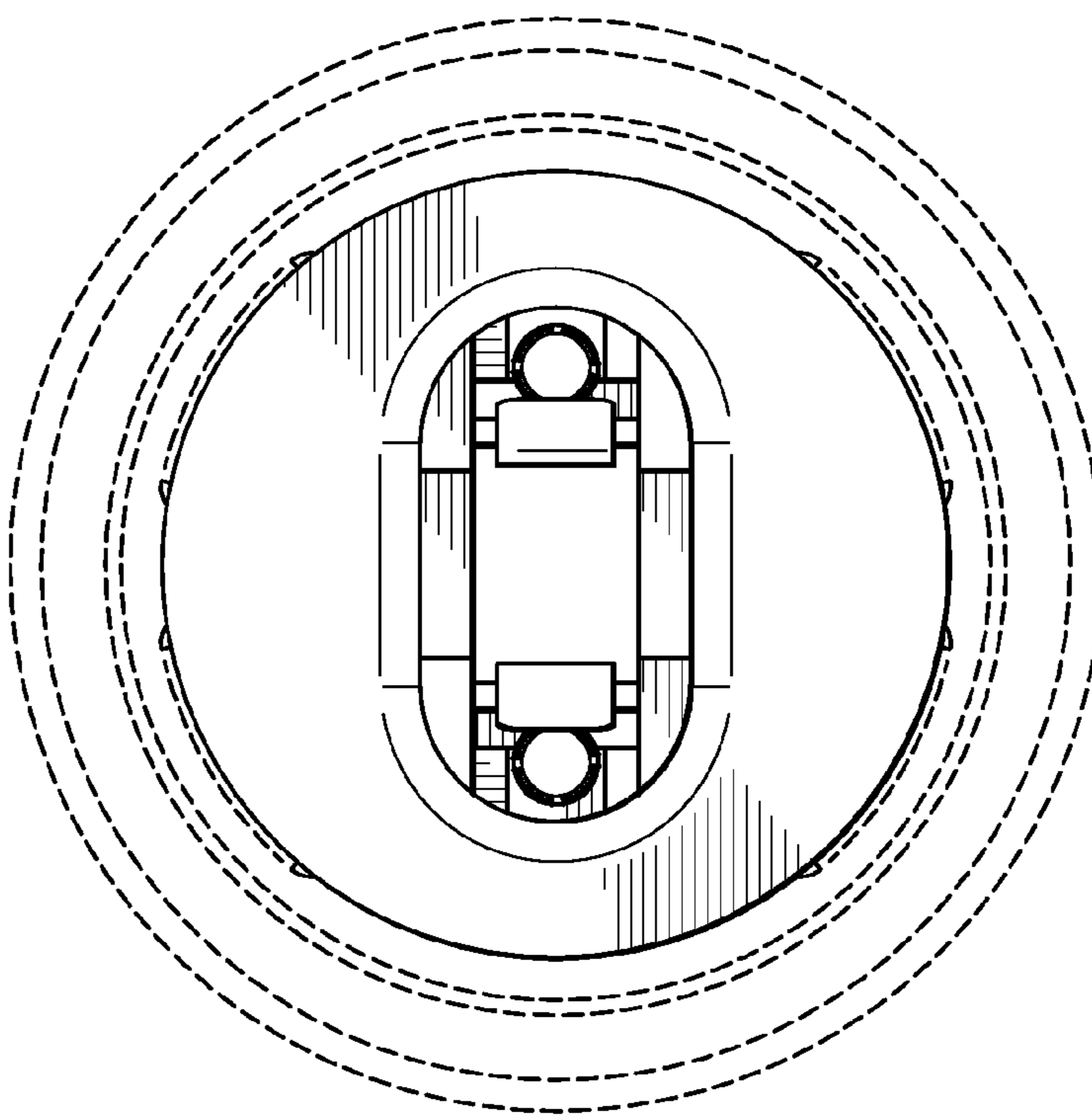


Fig. 12

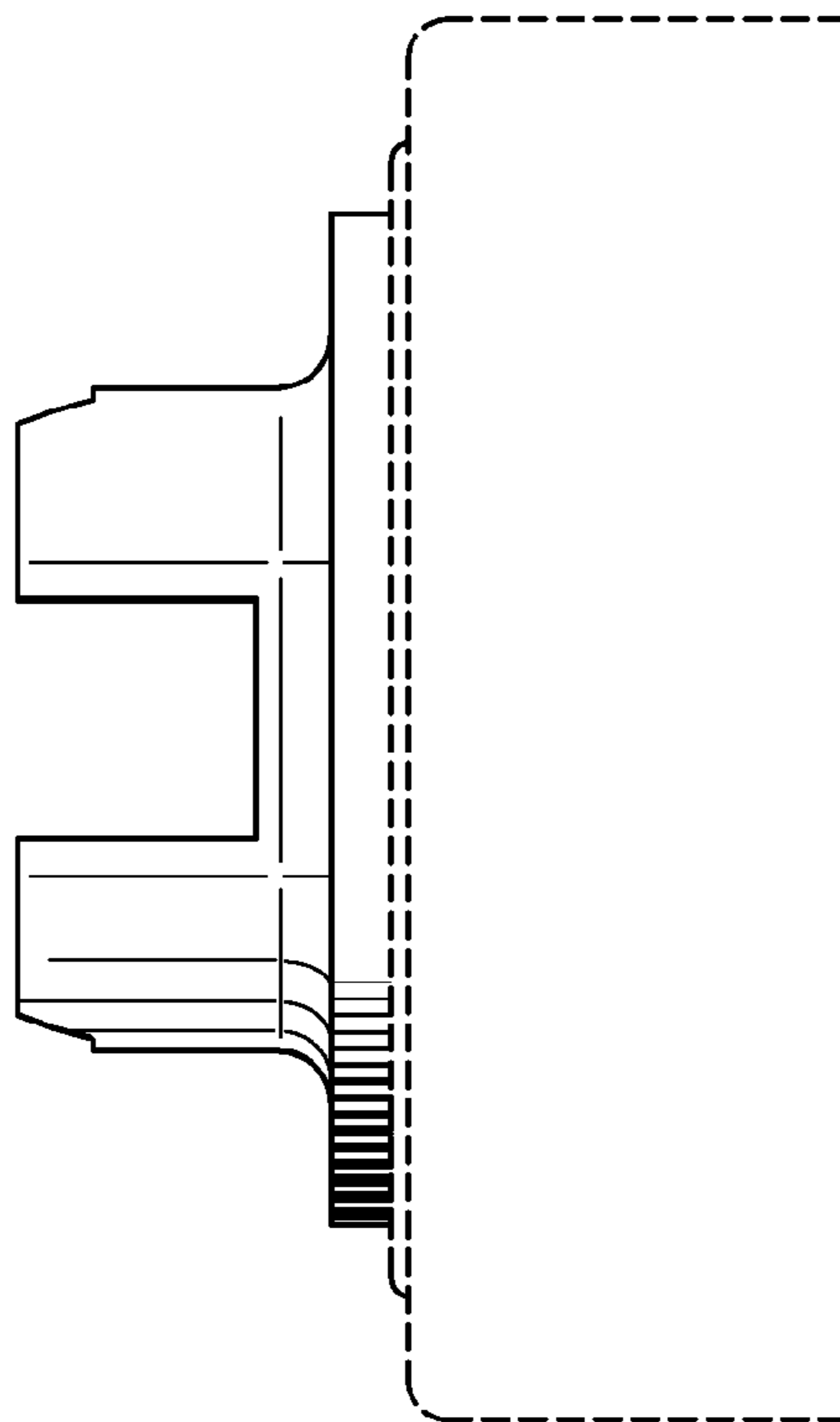


Fig. 13

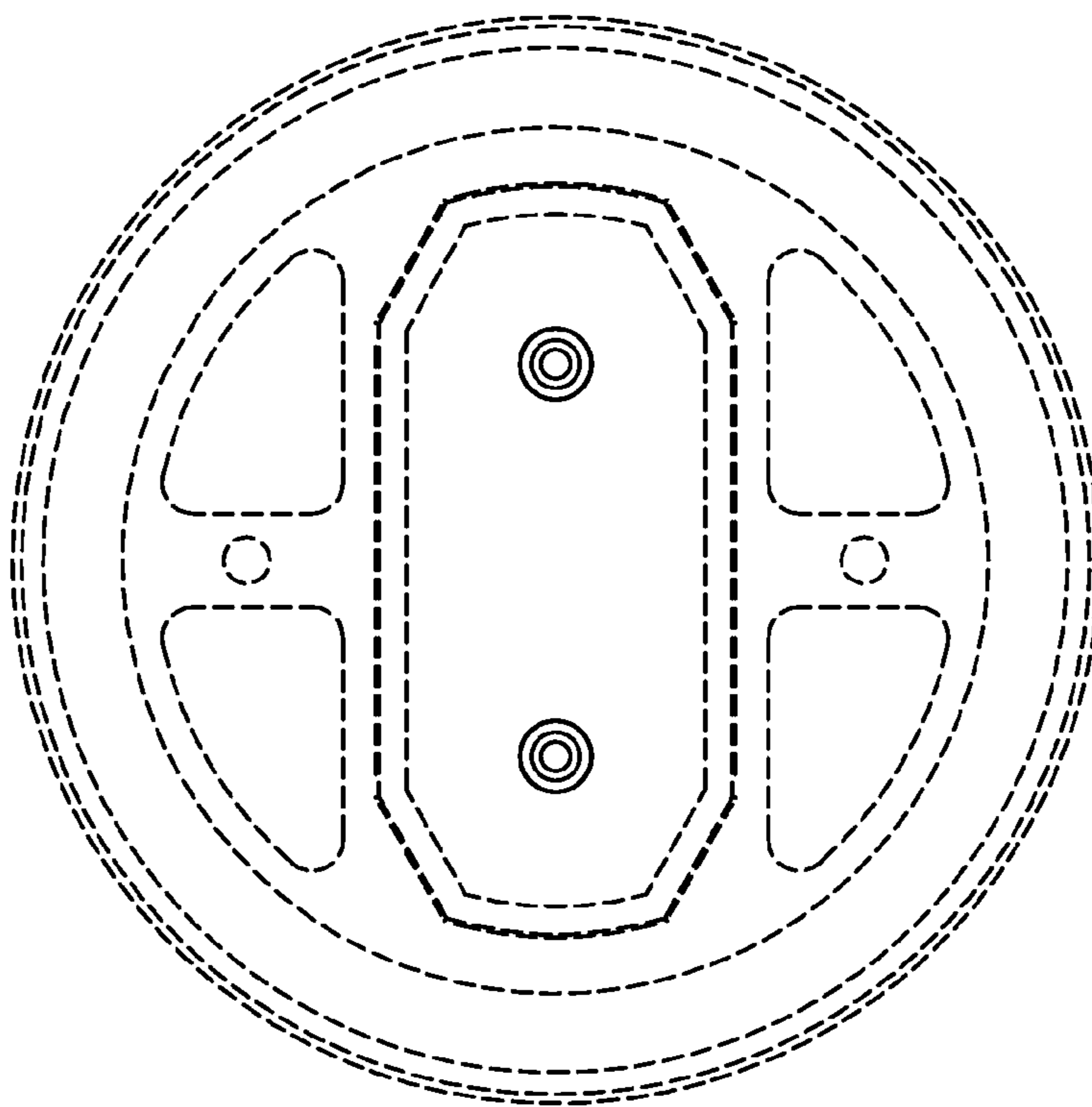


Fig. 14