



US00D611322S

(12) **United States Design Patent**
Robertson

(10) **Patent No.:** **US D611,322 S**
(45) **Date of Patent:** **** Mar. 9, 2010**

(54) **HANDLE**

(75) Inventor: **Brice Robertson**, Rancho Santa Margarita, CA (US)

(73) Assignee: **Össur hf**, Reykjavik (IE)

(**) Term: **14 Years**

(21) Appl. No.: **29/309,600**

(22) Filed: **Sep. 9, 2008**

(51) **LOC (9) Cl.** **08-06**

(52) **U.S. Cl.** **D8/306**

(58) **Field of Classification Search** D8/300,
D8/306, 316; D7/604, 605, 606, 705, 901;
D9/432, 632; D3/327; 220/915.1, 915.2,
220/752, 756, 760, 773; 62/457.1, 457.9;
16/444, 110.1

See application file for complete search history.

(56) **References Cited**

U.S. PATENT DOCUMENTS

D183,000	S	*	6/1958	Glazer	D3/315
3,116,947	A	*	1/1964	Brownrigg	294/31.2
D221,737	S	*	9/1971	Rheinart	D8/306
3,813,004	A	*	5/1974	Andreaggi	220/756
D239,249	S	*	3/1976	Branscum	D7/605
D257,426	S	*	10/1980	D'Alo	D8/300
4,399,926	A	*	8/1983	Eidels-Dubovoy	220/288
D322,209	S	*	12/1991	Turchi et al.	D8/300

D423,349	S	*	4/2000	Lyons et al.	D9/434
D426,762	S	*	6/2000	Su	D8/320
6,170,695	B1	*	1/2001	Gabel et al.	220/756
6,484,880	B1	*	11/2002	Shaeffer	206/581
D524,115	S	*	7/2006	Meyer	D7/604

* cited by examiner

Primary Examiner—Paula Greene

(74) *Attorney, Agent, or Firm*—Bacon & Thomas, PLLC

(57) **CLAIM**

The ornamental design for a handle, as shown and described.

DESCRIPTION

FIG. 1 is a front perspective view of a handle showing my new design;

FIG. 2 is a rear perspective view of the handle of FIG. 1.

FIG. 3 is a front elevational view of the handle of FIG. 1.

FIG. 4 is a first side elevational view of the handle of FIG. 1.

FIG. 5 is a rear elevational view of the handle of FIG. 1, the bottom is unornamented;

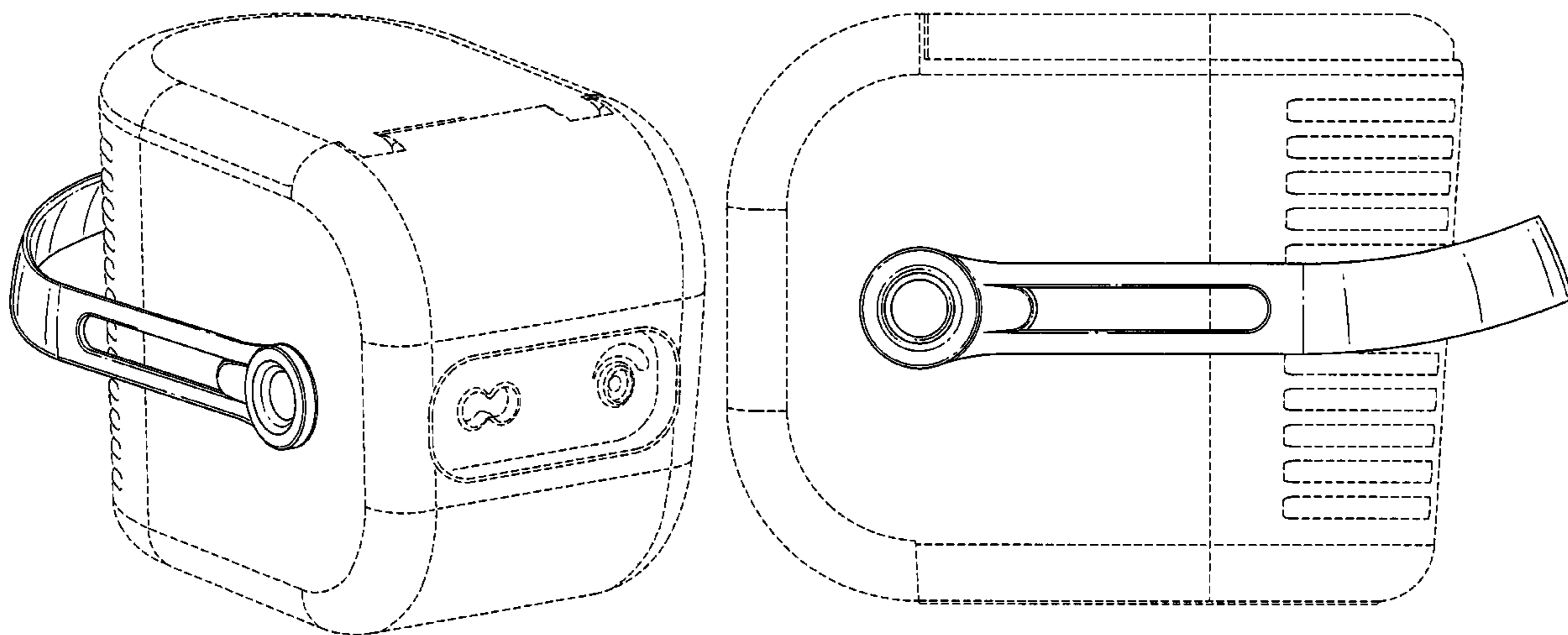
FIG. 6 is a second side elevational view of the handle of FIG. 1.

FIG. 7 is a top plan view of the handle of FIG. 1; and,

FIG. 8 is a bottom plan view of the handle of FIG. 1.

The broken lines form no part of the claimed design.

1 Claim, 8 Drawing Sheets



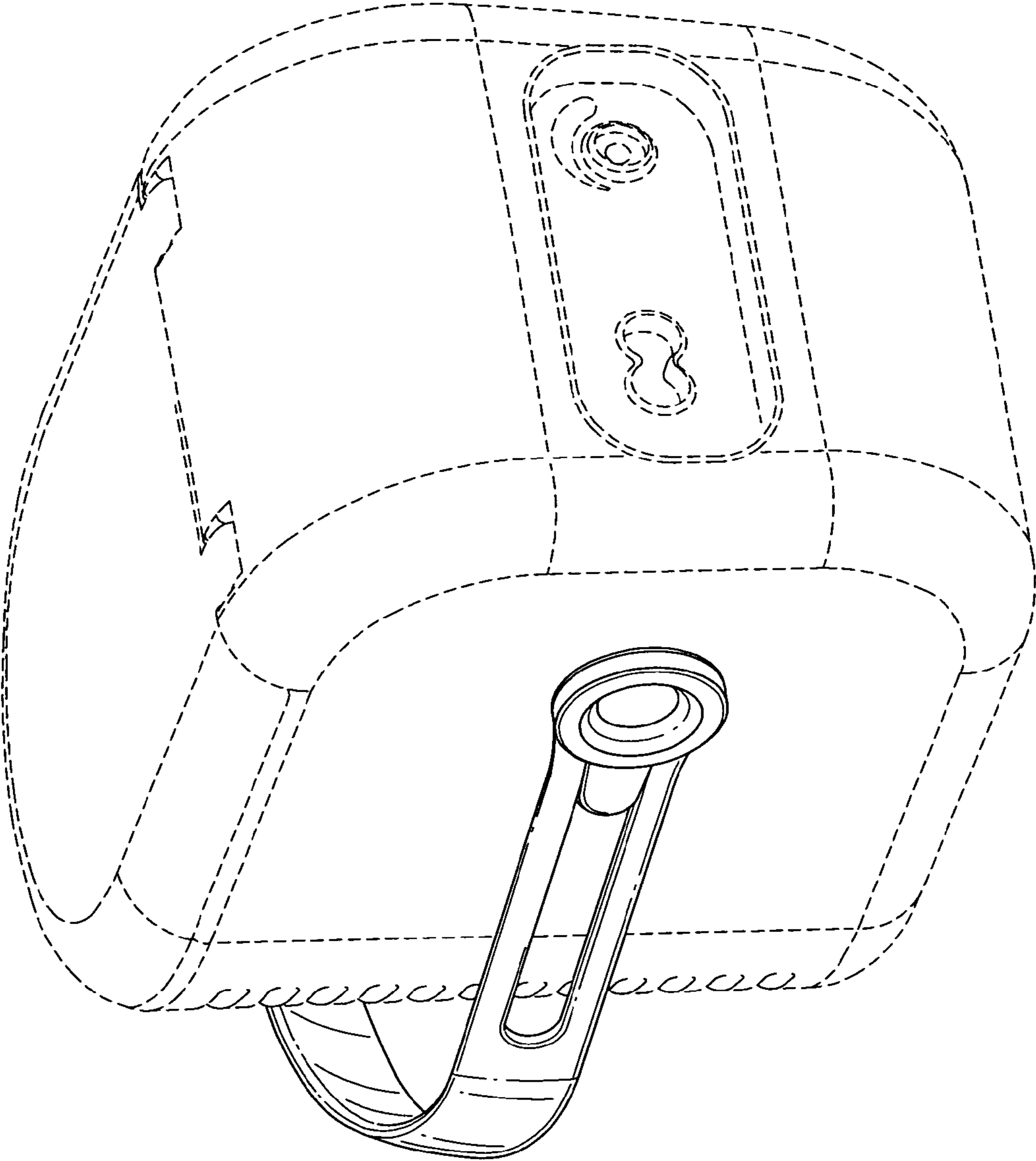


FIG. 1

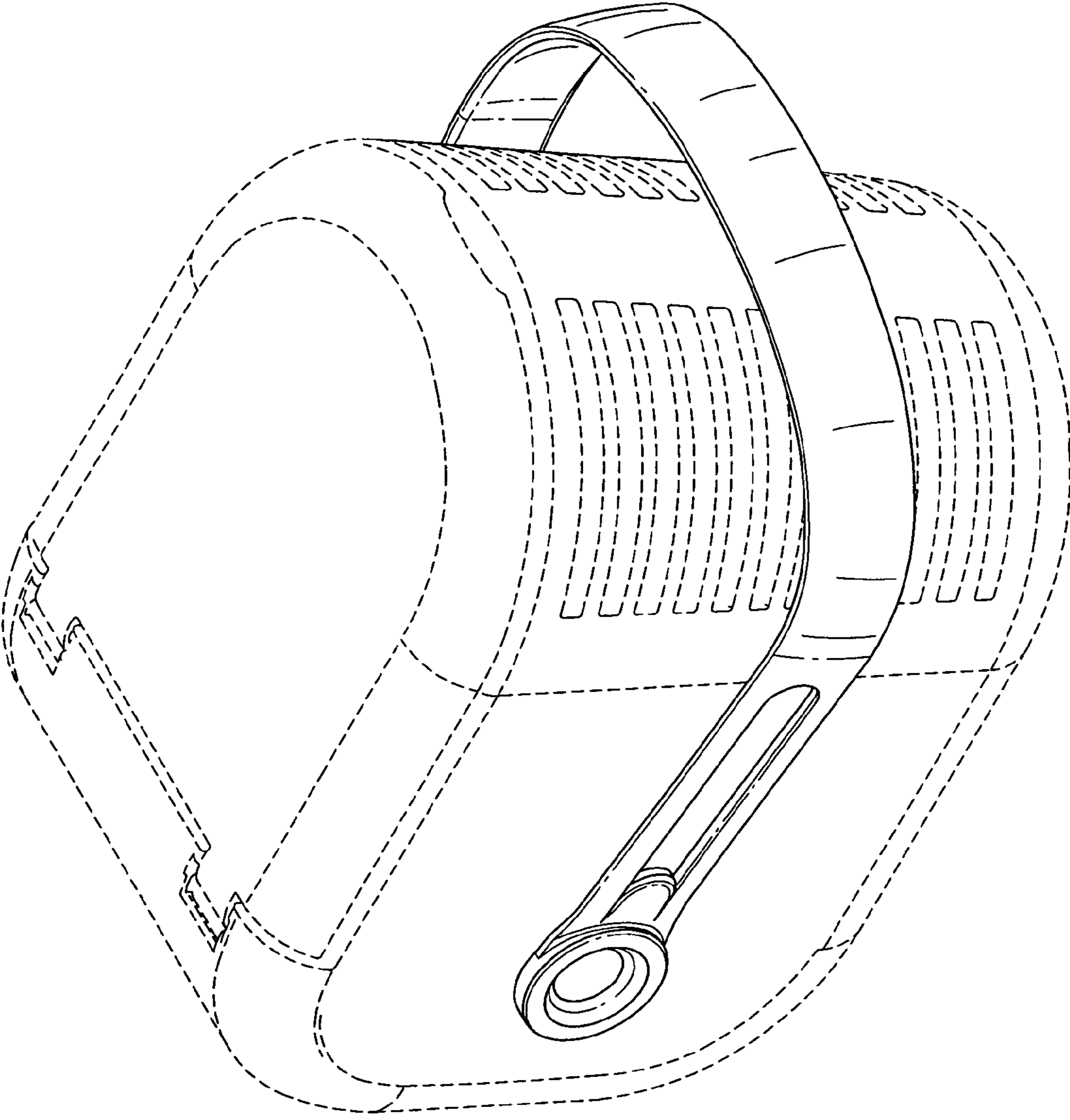


FIG. 2

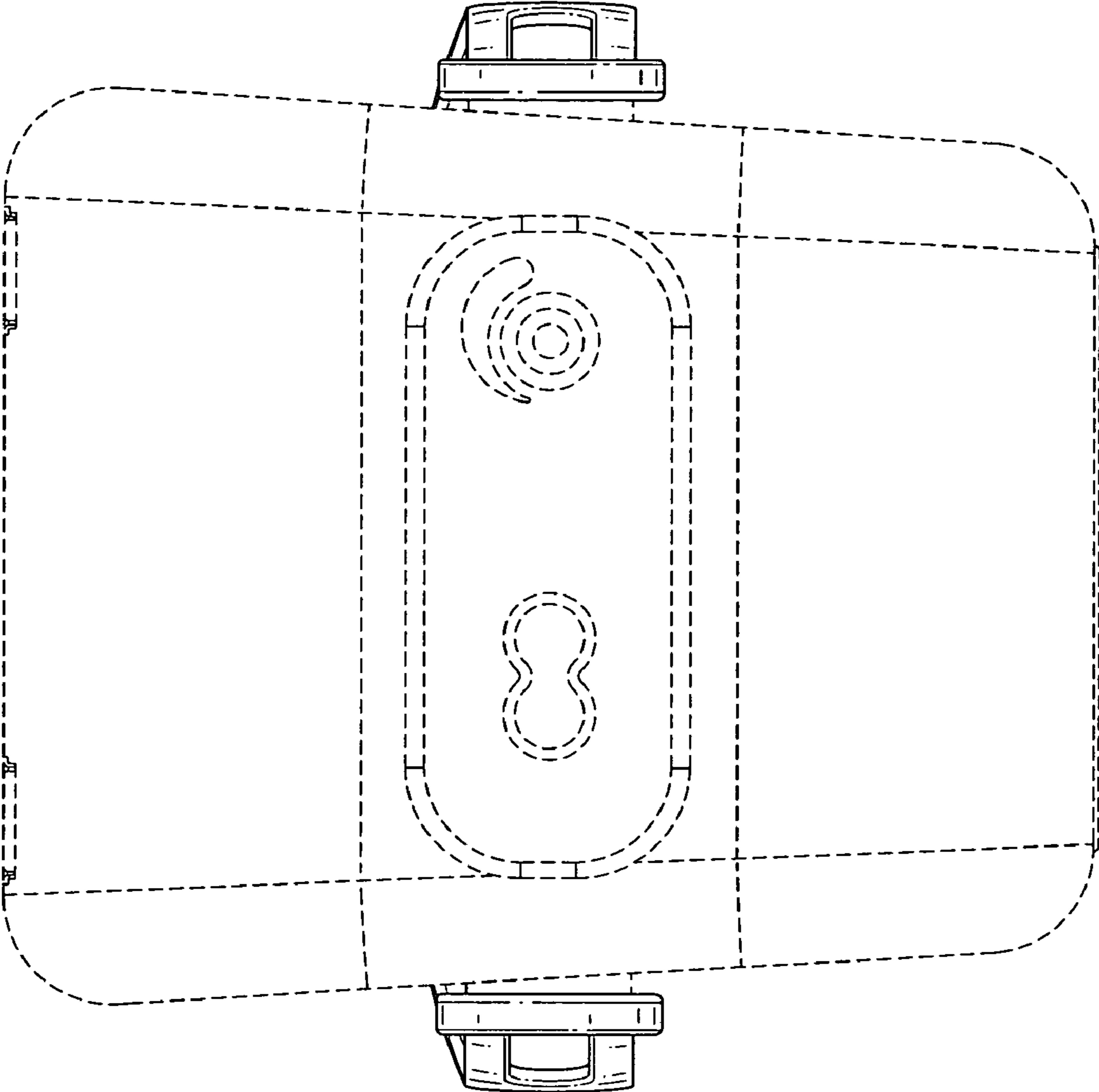


FIG. 3

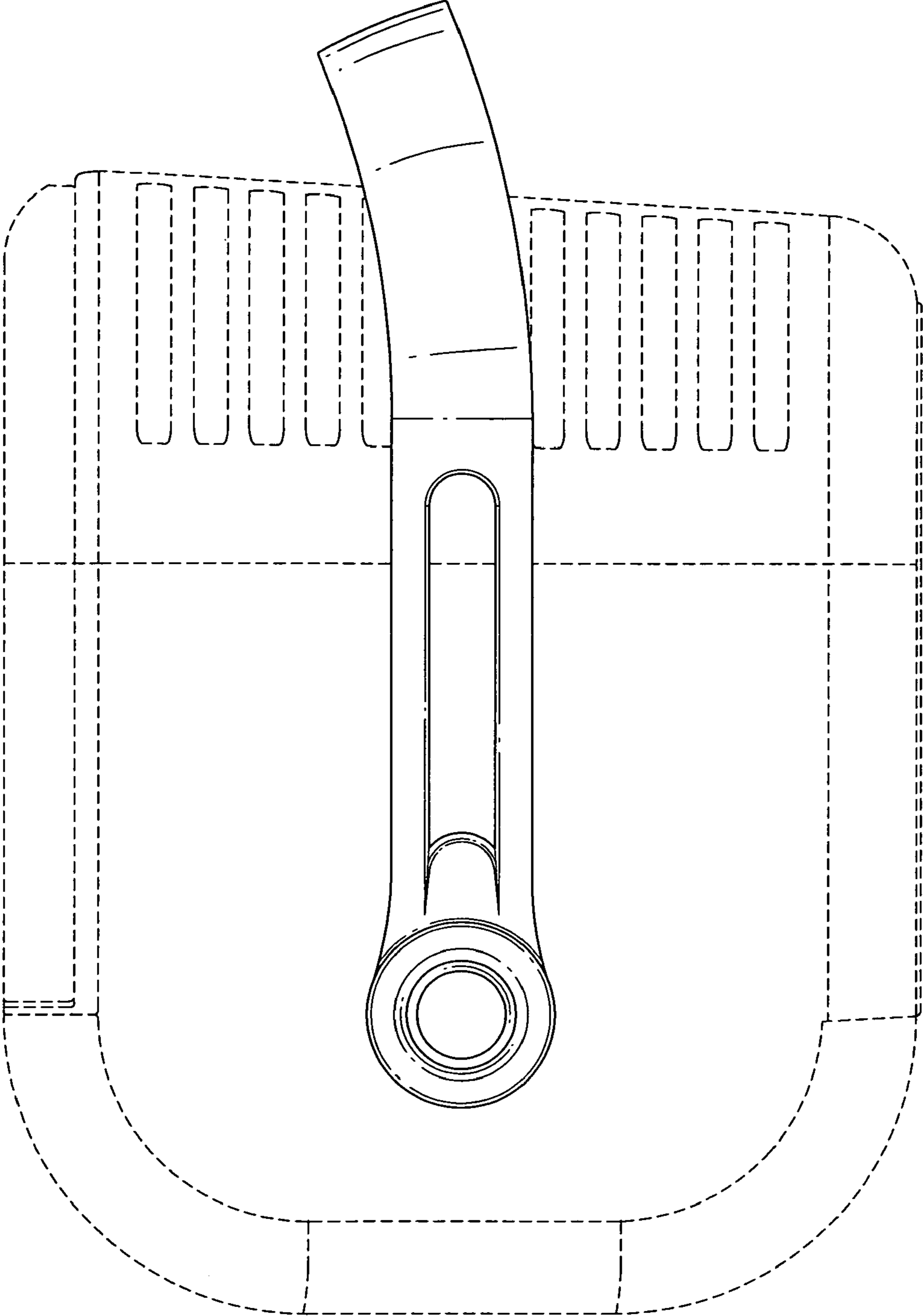


FIG. 4

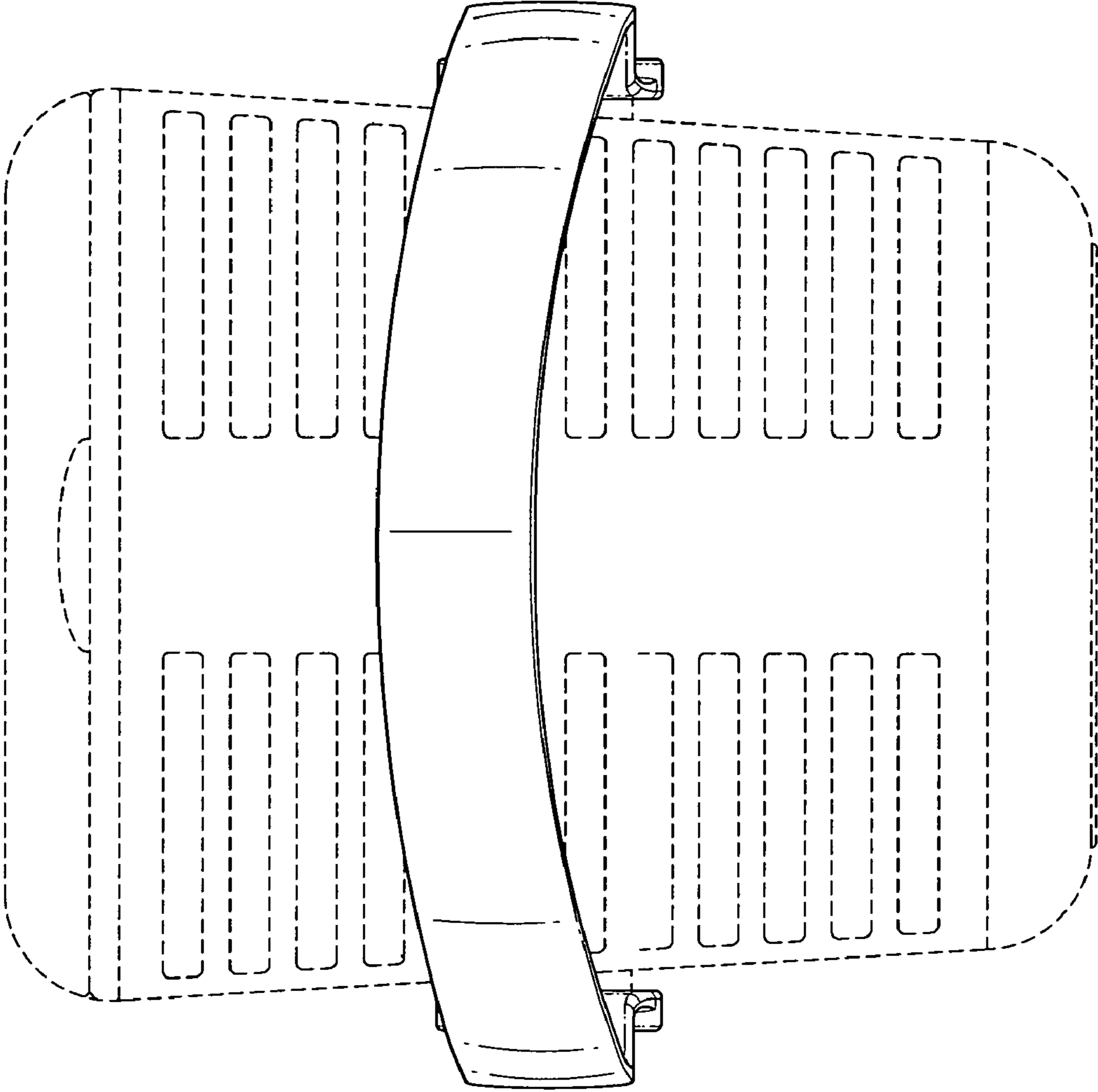


FIG. 5

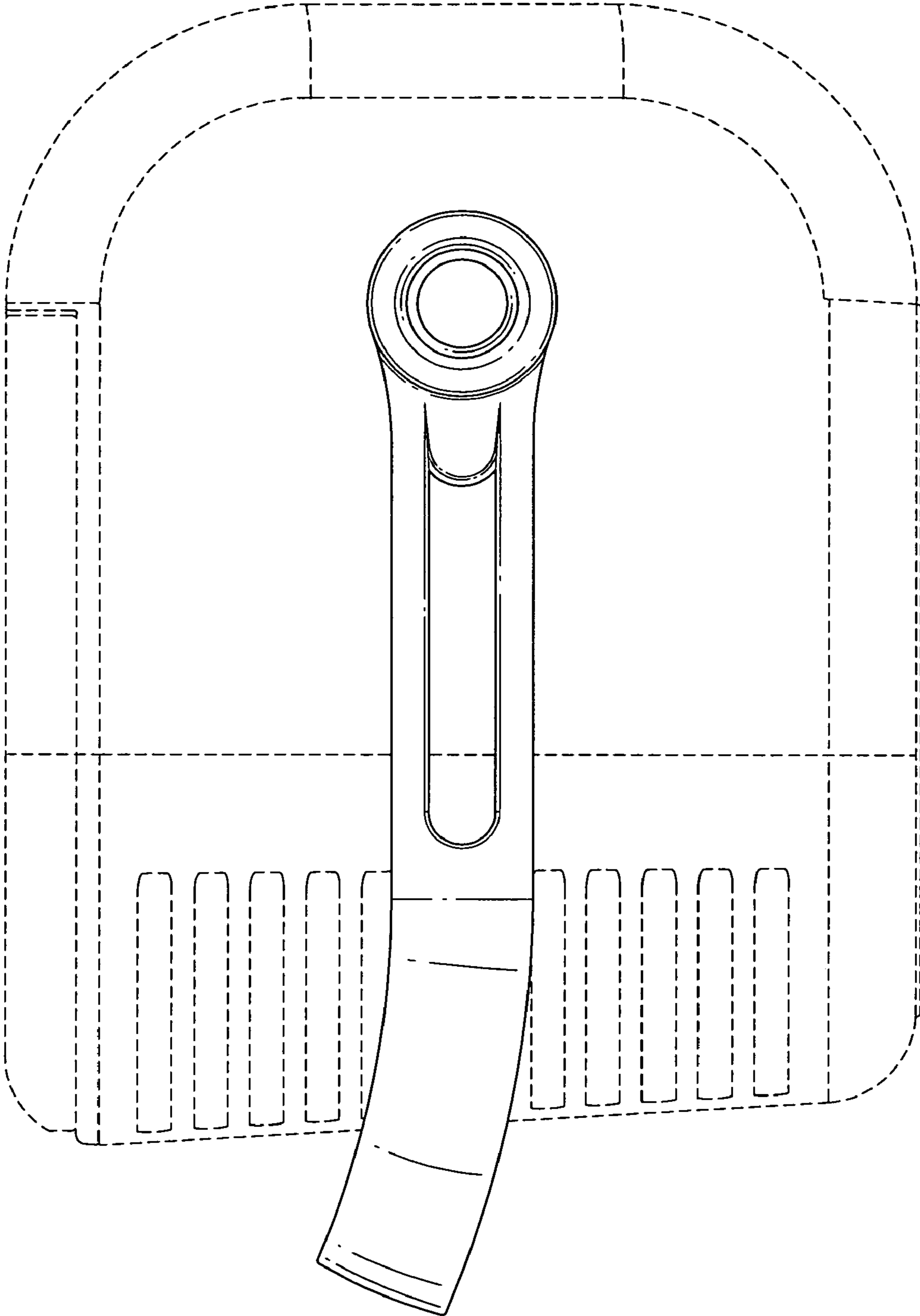


FIG. 6

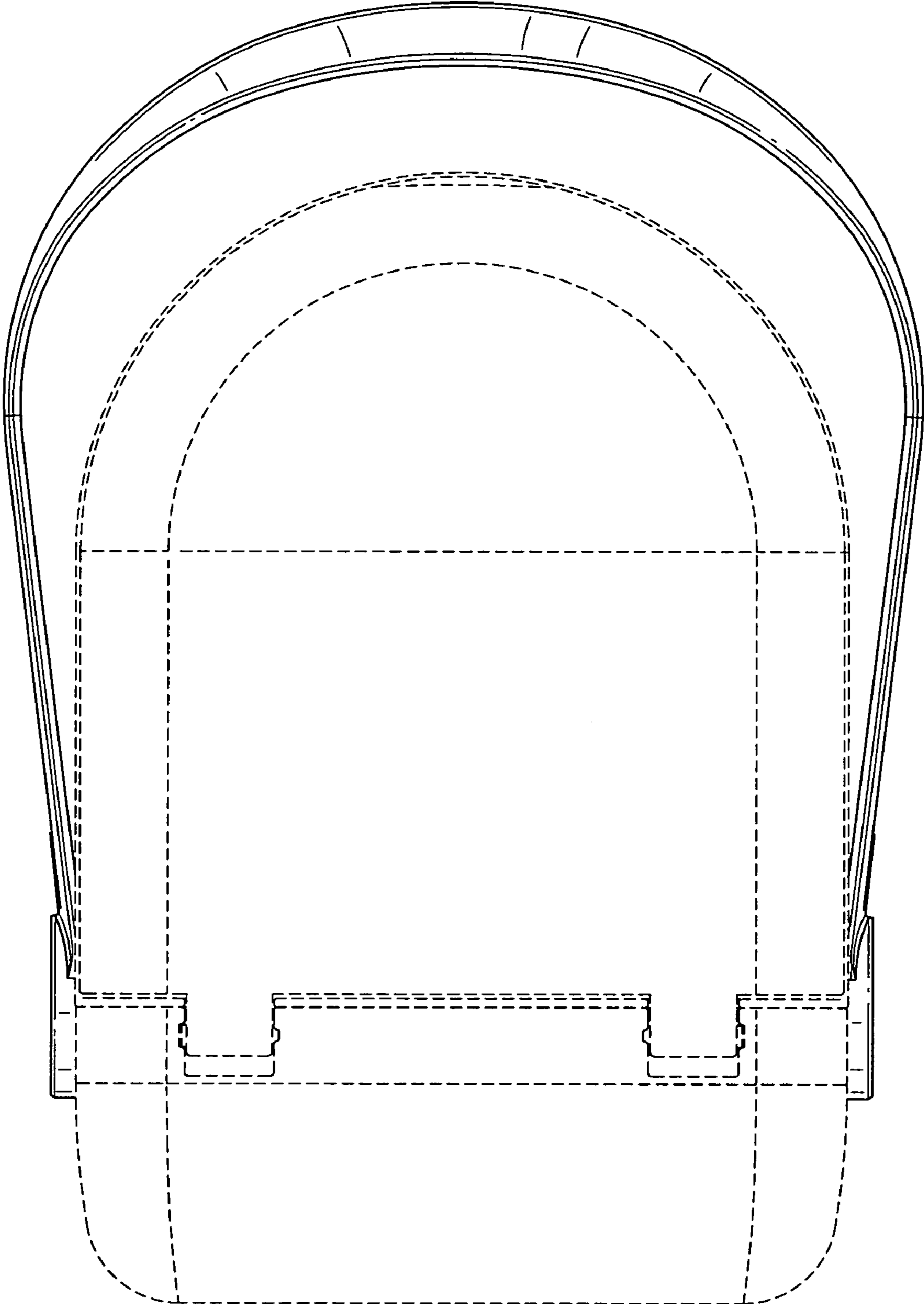


FIG. 7

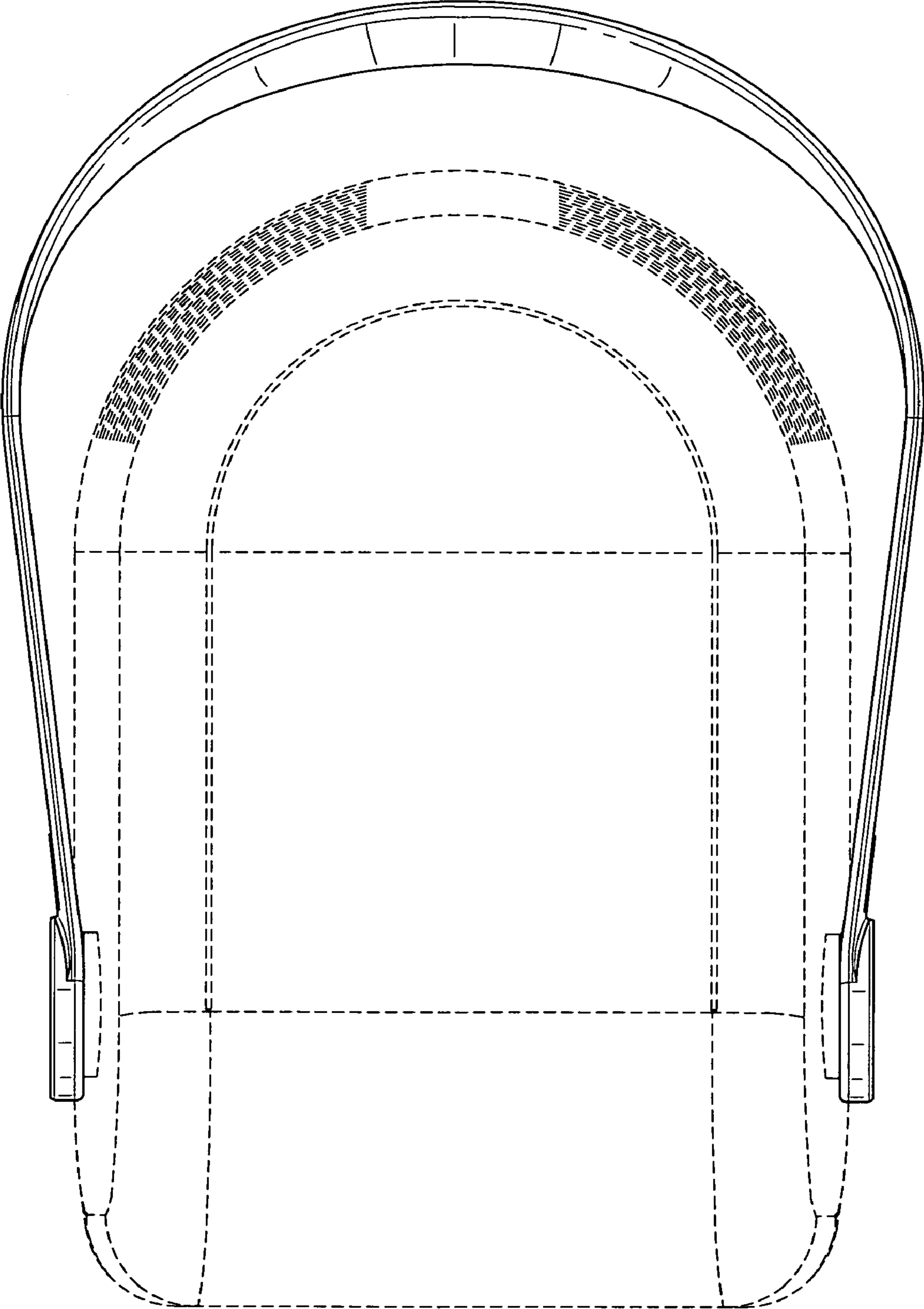


FIG. 8

UNITED STATES PATENT AND TRADEMARK OFFICE
CERTIFICATE OF CORRECTION

PATENT NO. : Des. 611,322 S
APPLICATION NO. : 29/309600
DATED : March 9, 2010
INVENTOR(S) : Brice Robertson

Page 1 of 1

It is certified that error appears in the above-identified patent and that said Letters Patent is hereby corrected as shown below:

TITLE PAGE, ITEM

(73) Assignee: Delete "(IE)" and insert -- (IS) --.

Signed and Sealed this

Eleventh Day of May, 2010

A handwritten signature in black ink that reads "David J. Kappos". The signature is written in a cursive, flowing style.

David J. Kappos
Director of the United States Patent and Trademark Office