



US00D611321S

(12) **United States Design Patent**
Boies et al.

(10) **Patent No.:** **US D611,321 S**
(45) **Date of Patent:** **** Mar. 9, 2010**

(54) **CIRCULAR GRIP**

(75) Inventors: **David Boies**, Levis (CA); **Maureen Elizabeth Carroll**, Atlanta, GA (US); **Shane Byler**, Mableton, GA (US)

(73) Assignee: **Ames True Temper, Inc.**, Camp Hill, PA (US)

(**) Term: **14 Years**

(21) Appl. No.: **29/330,852**

(22) Filed: **Jan. 15, 2009**

(51) **LOC (9) Cl.** **08-01**

(52) **U.S. Cl.** **D8/107**; D12/176; D8/13

(58) **Field of Classification Search** D12/174-176,
D12/400; D14/401; 434/245; D99/26; D21/477,
D21/615; 74/552, 484 R, 557; D11/158,
D11/223, 224; D2/852; D9/605

See application file for complete search history.

(56) **References Cited**

U.S. PATENT DOCUMENTS

D181,113 S * 10/1957 Smith D12/176
2,828,645 A * 4/1958 Wilfert 74/484 R
D183,209 S * 7/1958 Fast D12/176
D184,155 S * 12/1958 Stevens D12/176
D184,365 S * 2/1959 Marker D12/176

D216,543 S * 2/1970 Steele D12/176
D222,768 S * 12/1971 Hikosaburo D12/176
D295,826 S * 5/1988 Osada D8/382
D301,330 S * 5/1989 Langenbeck et al. D12/176
5,823,666 A * 10/1998 Kingsolver 362/488
D472,858 S * 4/2003 Pfeiffer et al. D12/176
D516,477 S * 3/2006 Tomasson et al. D12/176

* cited by examiner

Primary Examiner—Robert M Spear

Assistant Examiner—Cynthia Underwood

(74) *Attorney, Agent, or Firm*—Eckert Seamans Cherin & Mellott, LLC; David C. Jenkins, Esq.

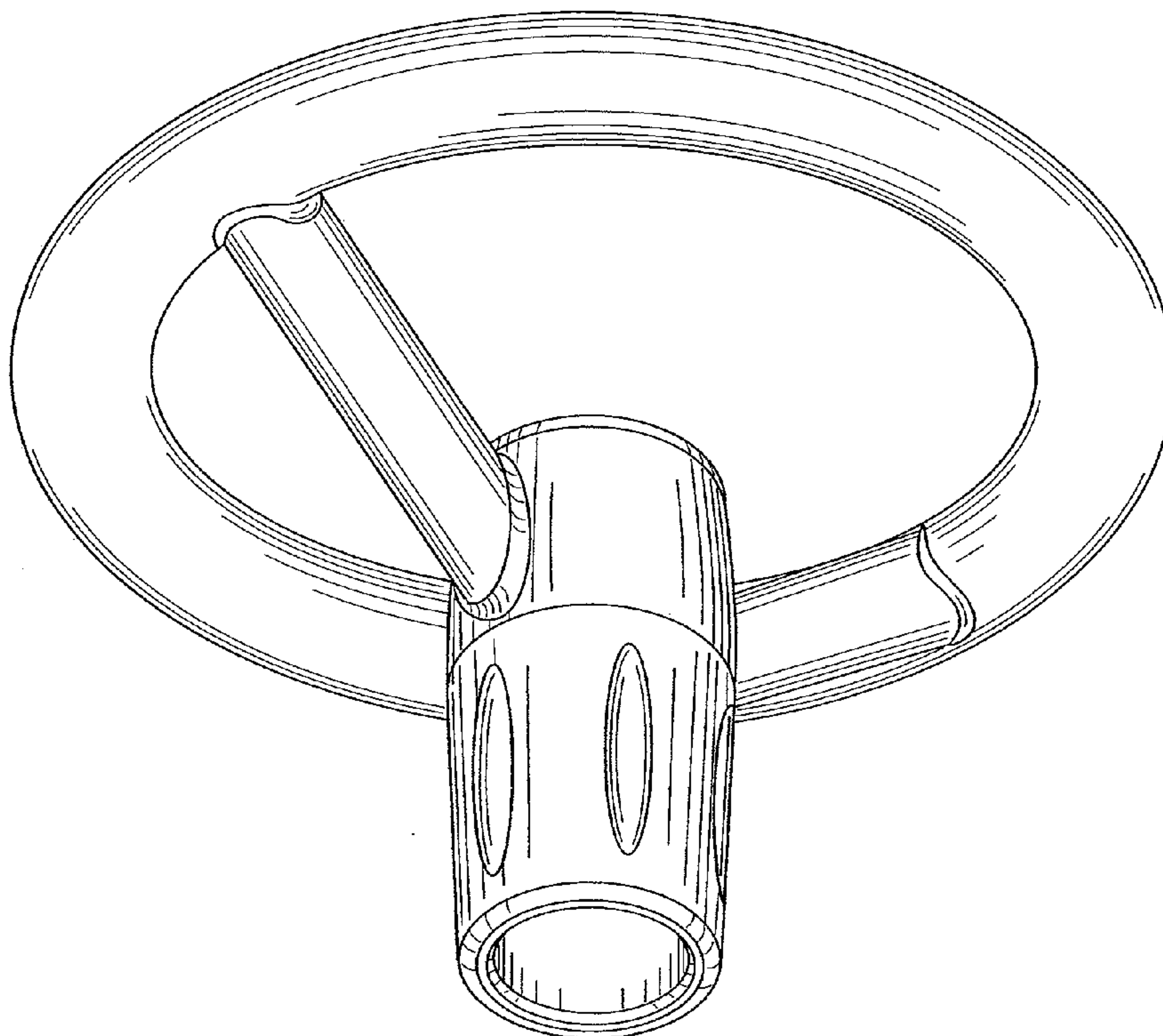
(57) **CLAIM**

The ornamental design for a circular grip, as shown and described.

DESCRIPTION

FIG. 1 is an isometric view of the circular grip;
FIG. 2 is a first side view of the circular grip;
FIG. 3 is a second side view of the circular grip;
FIG. 4 is a third side view of the circular grip;
FIG. 5 is a fourth side view of the circular grip;
FIG. 6 is a top view of the circular grip; and,
FIG. 7 is a bottom view of the circular grip.

1 Claim, 7 Drawing Sheets



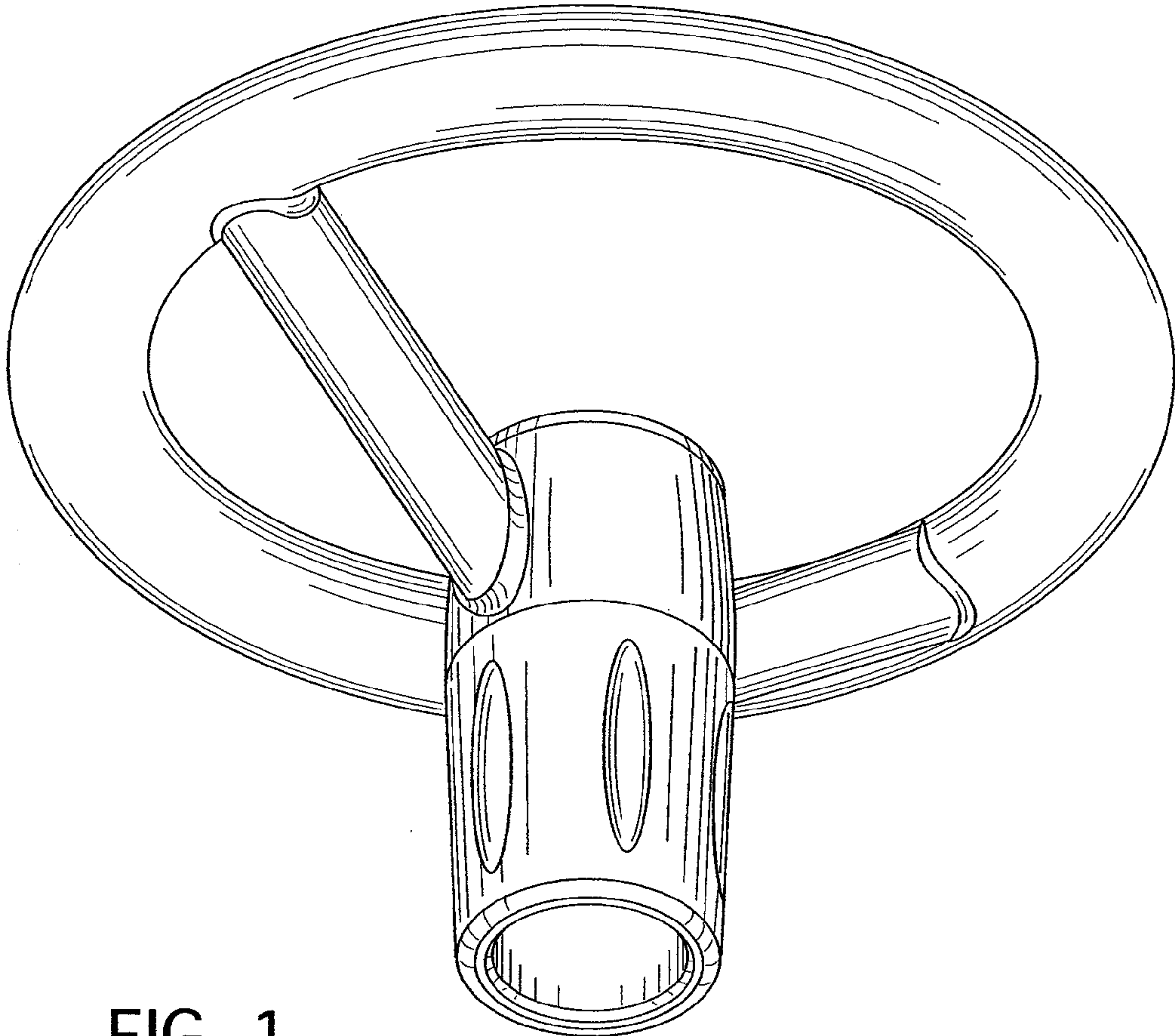


FIG. 1

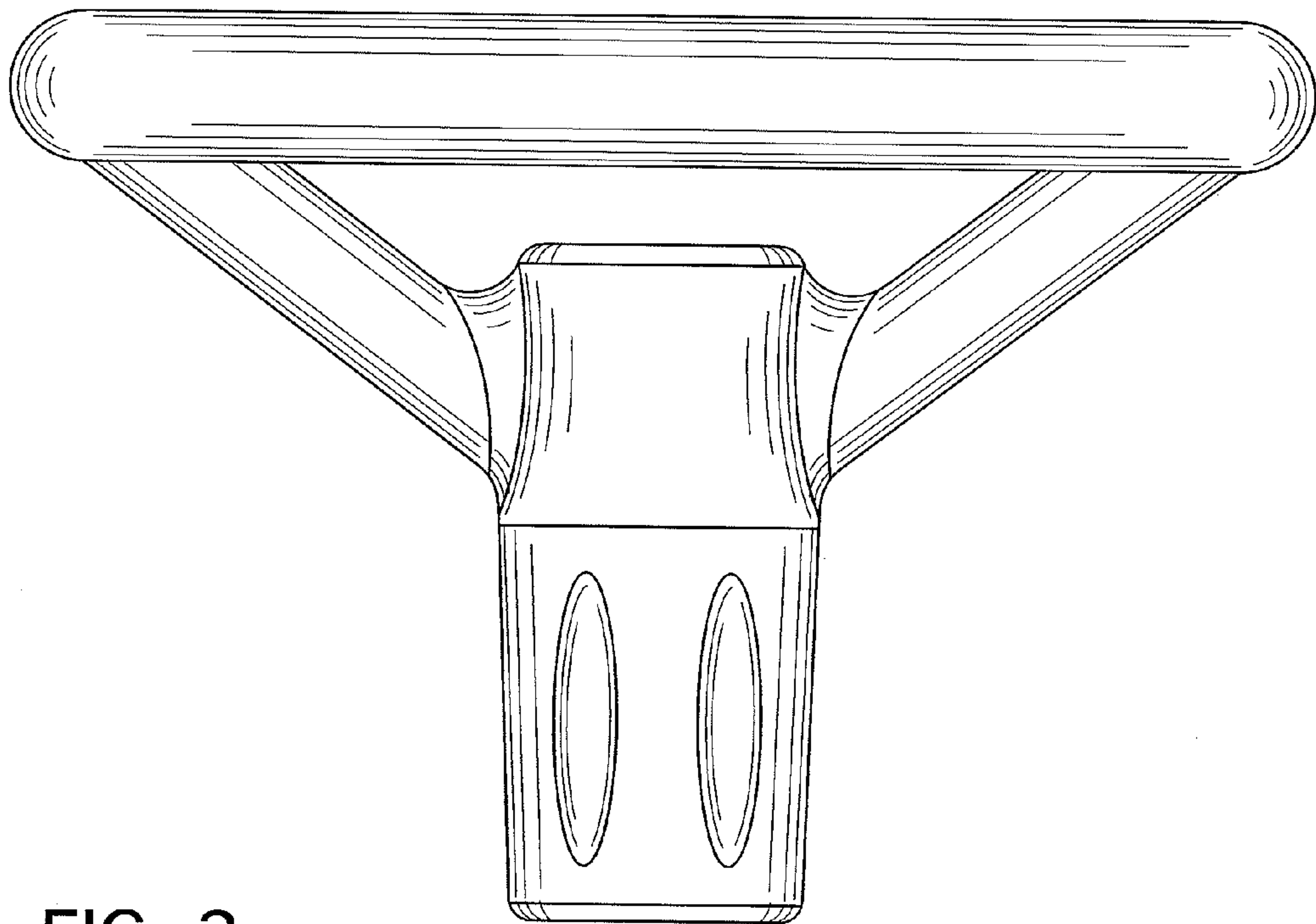


FIG. 2

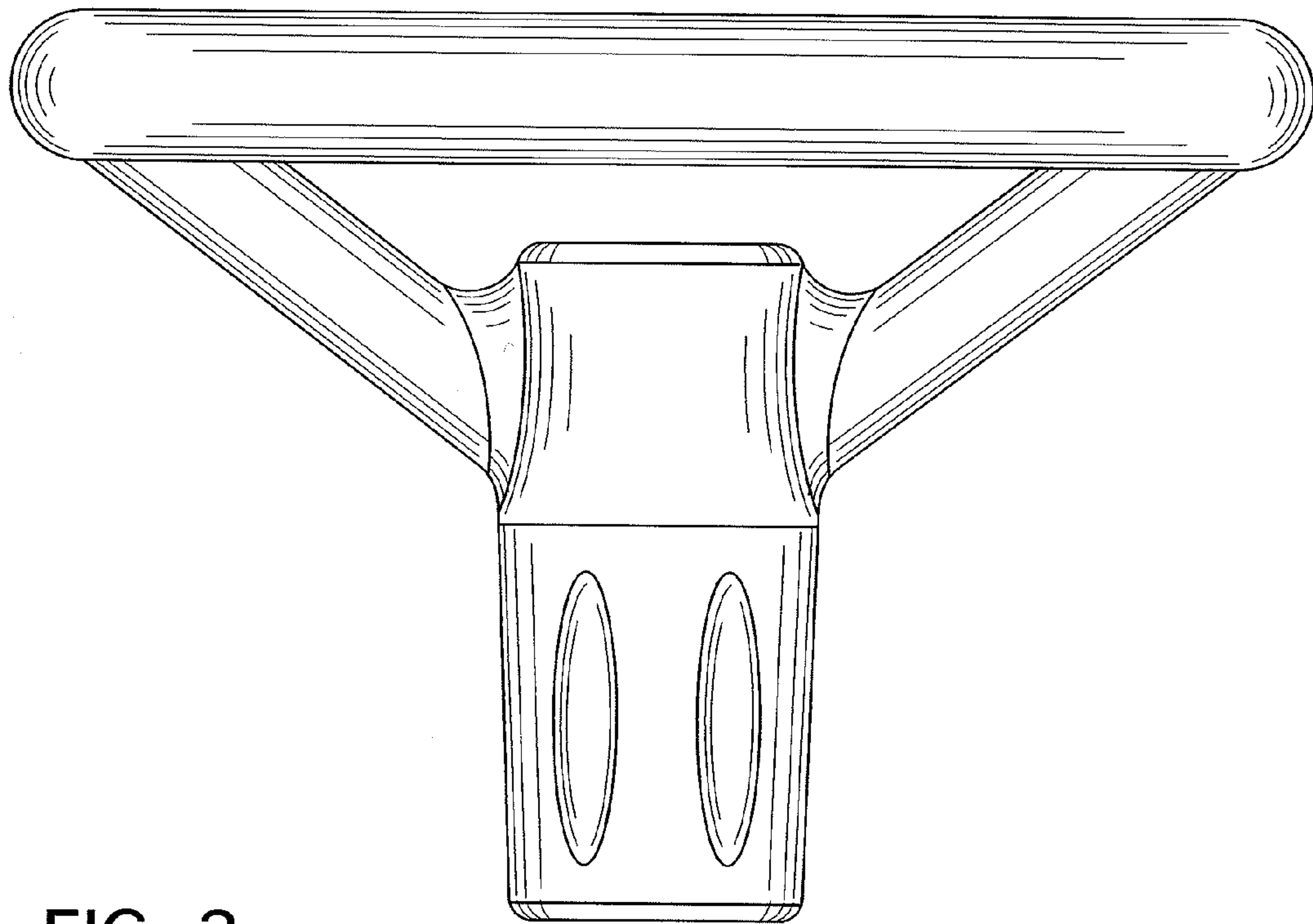


FIG. 3

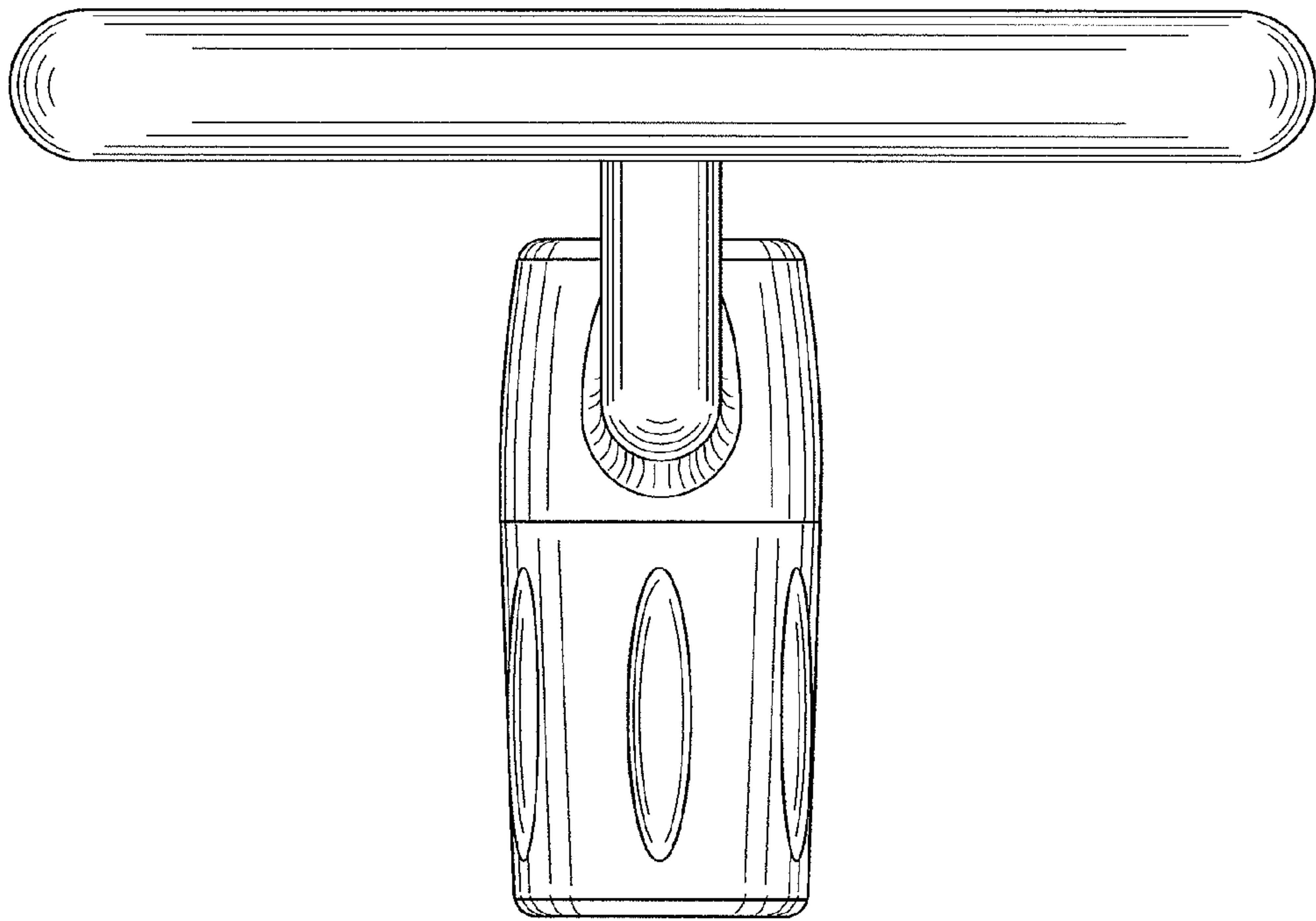


FIG. 4

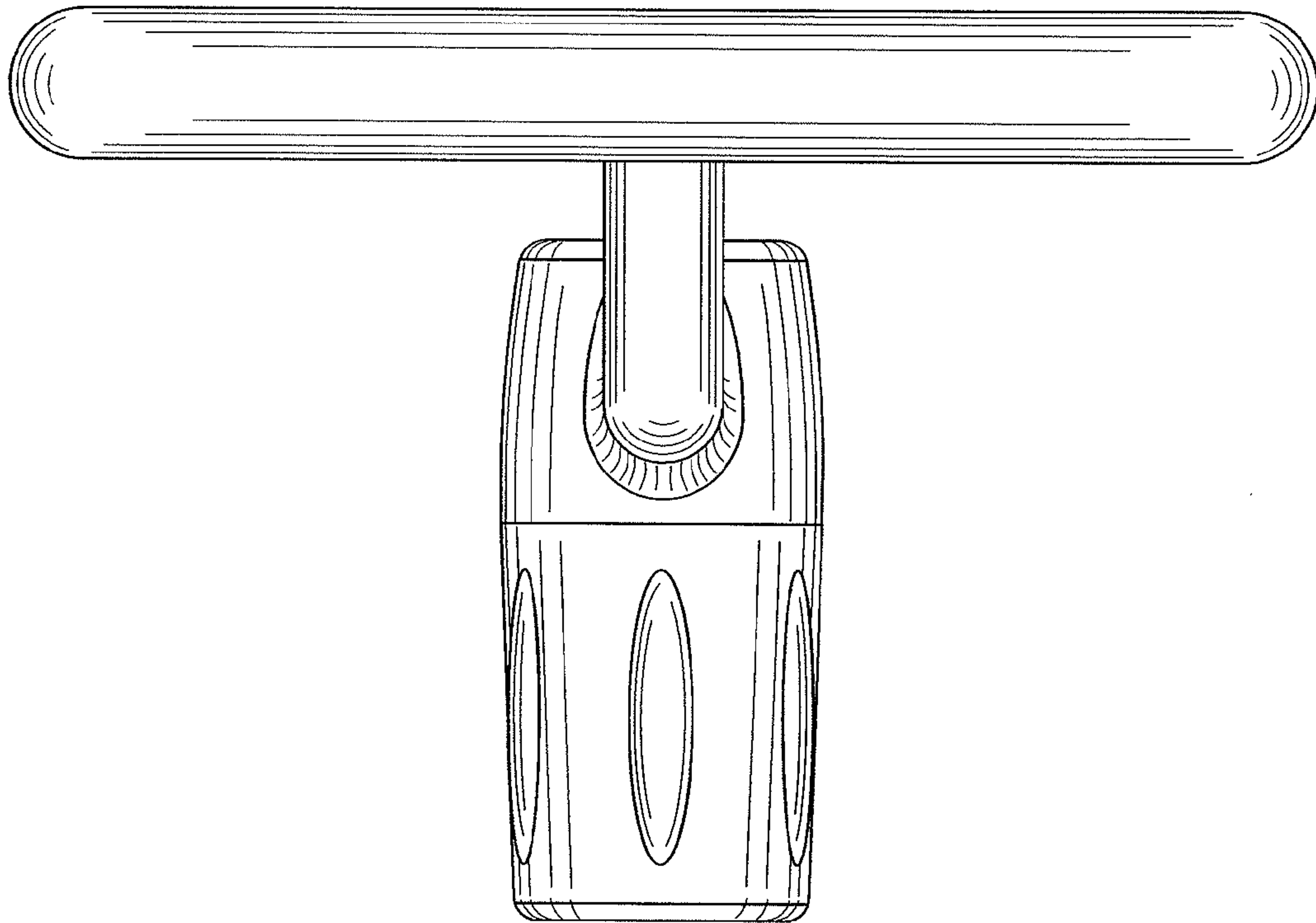


FIG. 5

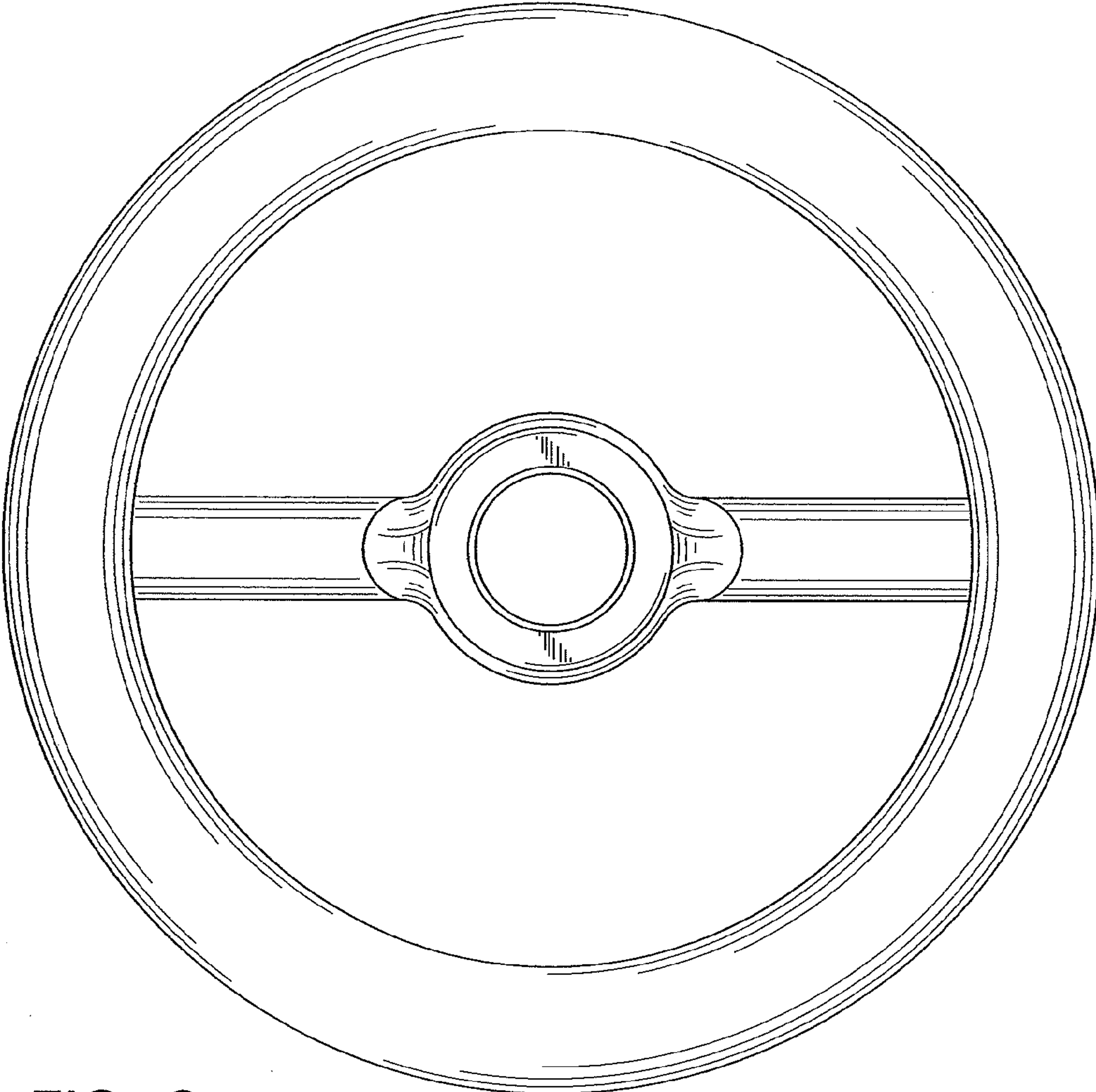


FIG. 6

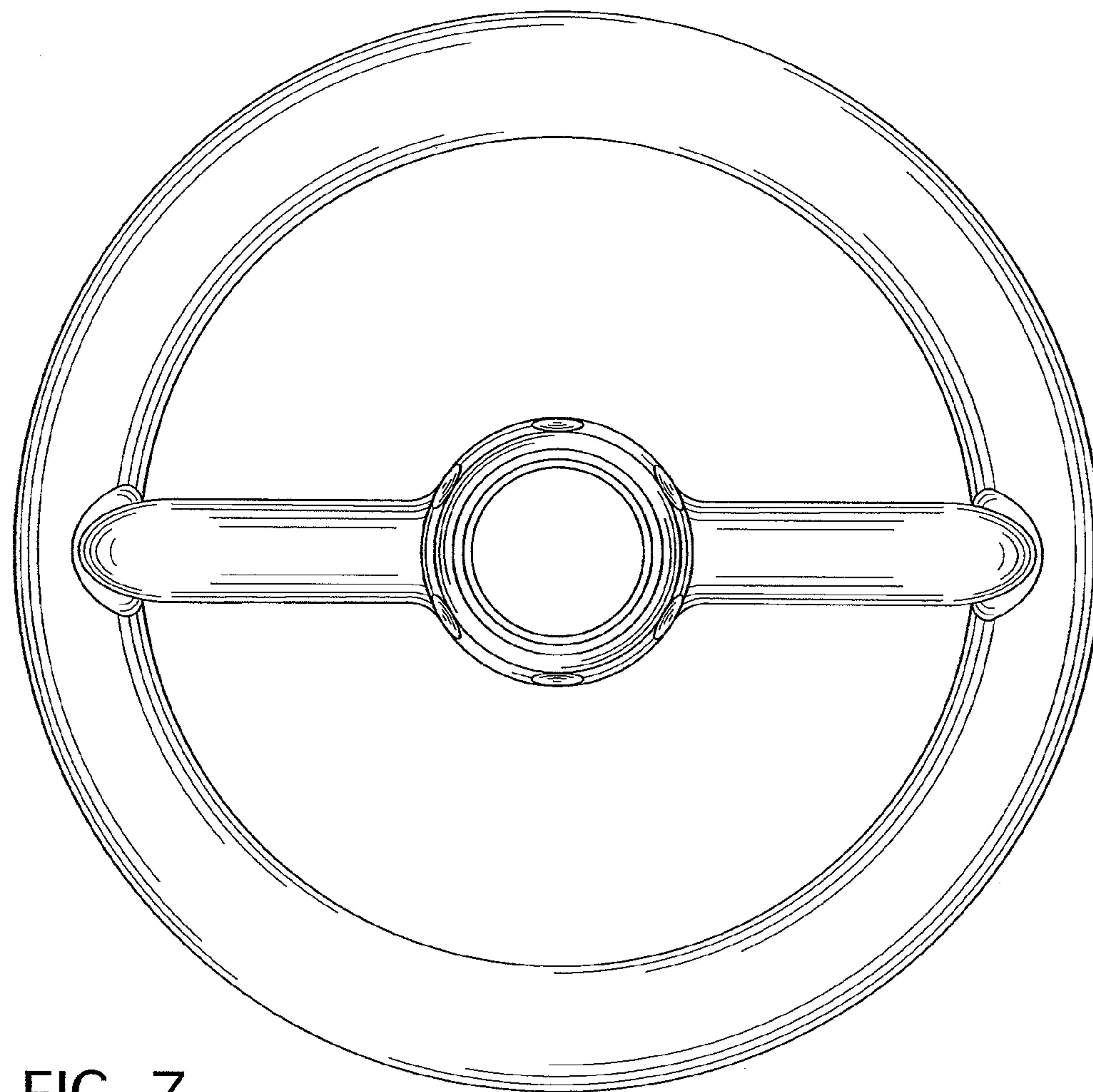


FIG. 7