



US00D611319S

(12) **United States Design Patent**
Van Wambeke et al.

(10) **Patent No.:** **US D611,319 S**
(45) **Date of Patent:** **** Mar. 9, 2010**

(54) **DRILL**

(75) Inventors: **Weston J. Van Wambeke**, Towson, MD (US); **Stephen A. Houghton**, Newcastle Upon Tyne (GB)

(73) Assignee: **Black & Decker Inc.**, Newark, DE (US)

(**) Term: **14 Years**

(21) Appl. No.: **29/336,990**

(22) Filed: **May 13, 2009**

Related U.S. Application Data

(63) Continuation of application No. 29/322,821, filed on Aug. 13, 2008, now Pat. No. Des. 593,831.

(51) **LOC (9) Cl.** **08-01**

(52) **U.S. Cl.** **D8/68**

(58) **Field of Classification Search** D8/68;
81/57.11, 429, 454-456, 469, 489; 173/13,
173/104, 114, 168-171, 178, 201, 211, 213,
173/217; 408/20, 124, 125, 234, 241 R,
408/358; 310/50; 227/8, 113, 114, 120,
227/130, 136, 142

See application file for complete search history.

(56) **References Cited**

U.S. PATENT DOCUMENTS

D467,483 S * 12/2002 Heun D8/68

D501,384 S * 2/2005 Wright et al. D8/68
D533,040 S * 12/2006 Schoen D8/68
D539,110 S * 3/2007 Okuda D8/68
D543,081 S * 5/2007 Watson D8/68

* cited by examiner

Primary Examiner—Antoine D Davis

(74) *Attorney, Agent, or Firm*—Bruce S. Shapiro; John Yun; Wesley W. Muller

(57) **CLAIM**

The ornamental design for a drill, as shown and described.

DESCRIPTION

FIG. 1 is a left/front perspective view of a drill.

FIG. 2 is a front view thereof.

FIG. 3 is a rear view thereof.

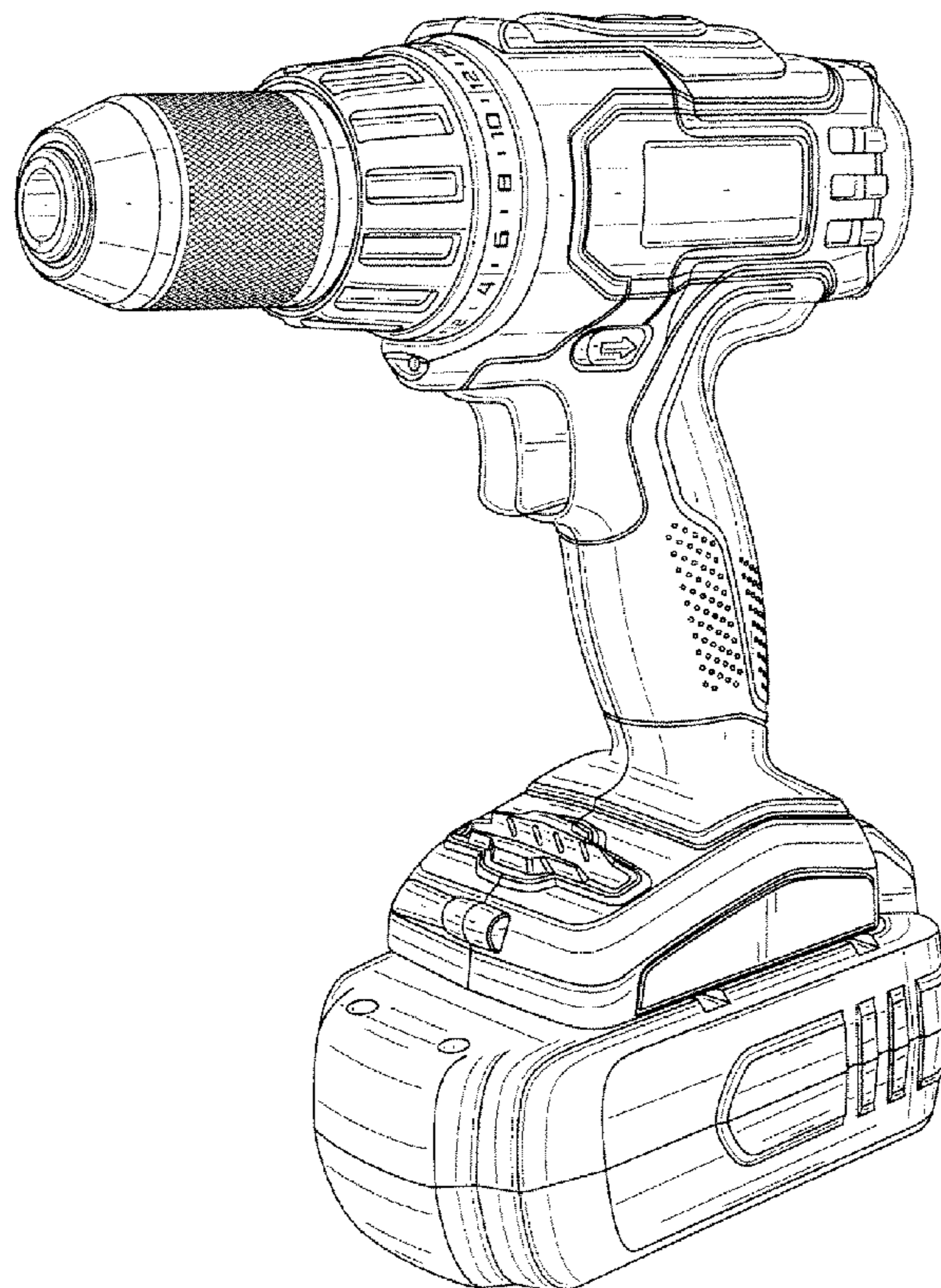
FIG. 4 is a right side view thereof.

FIG. 5 is a left side view thereof.

FIG. 6 is a top view thereof; and,

FIG. 7 is a bottom view thereof.

1 Claim, 5 Drawing Sheets



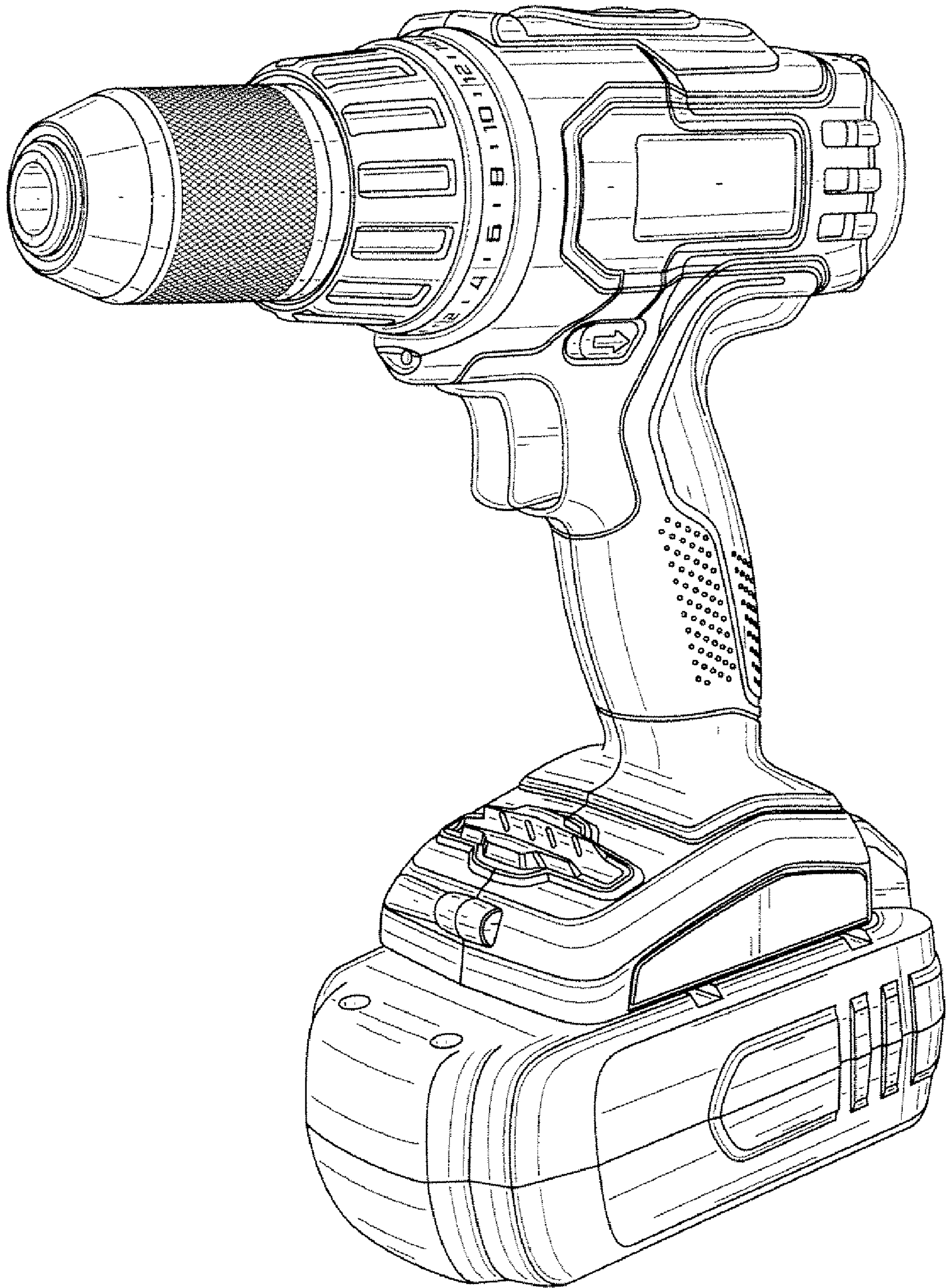


FIG. 1

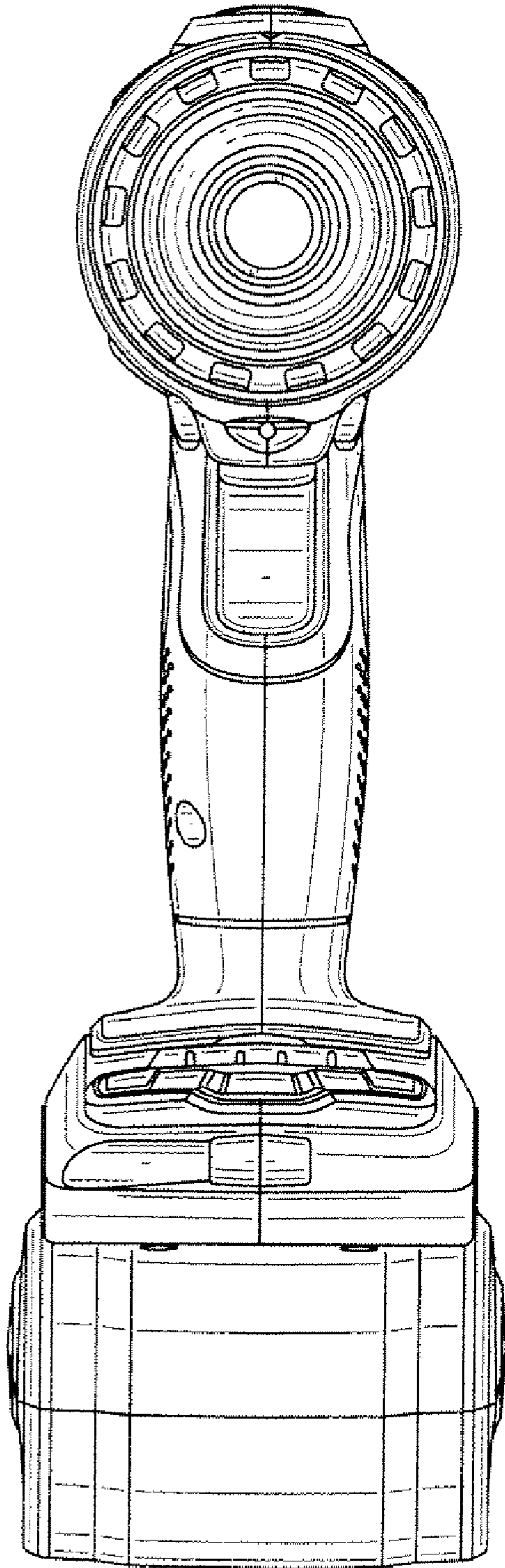


FIG. 2

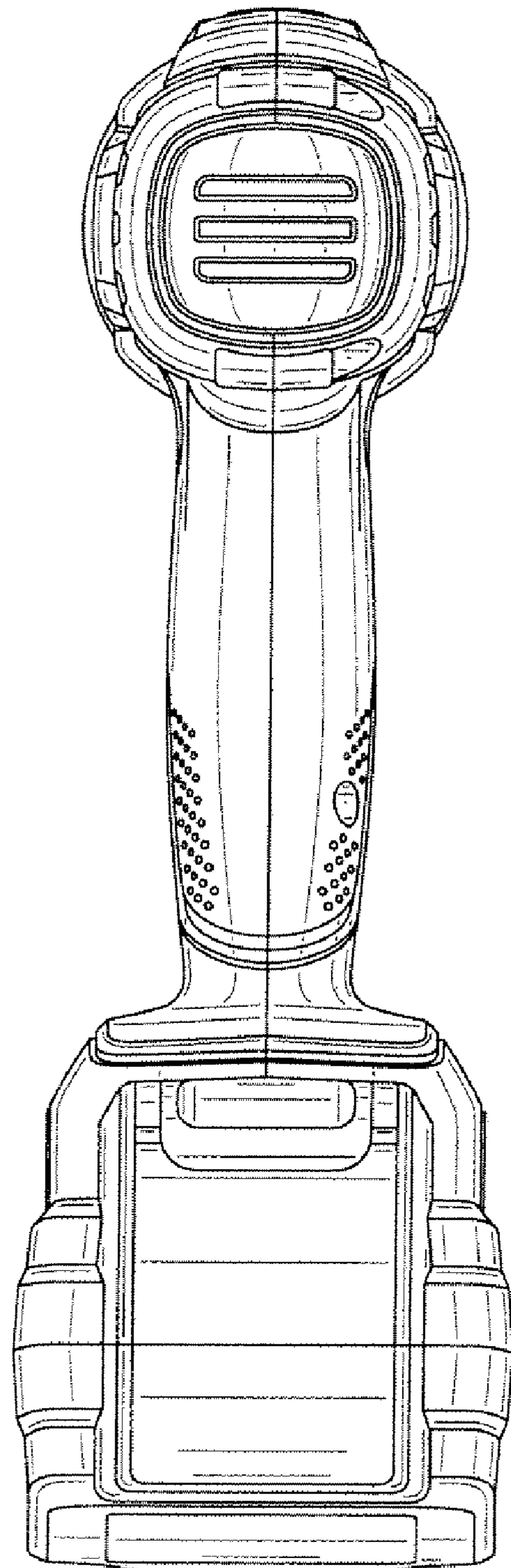


FIG. 3

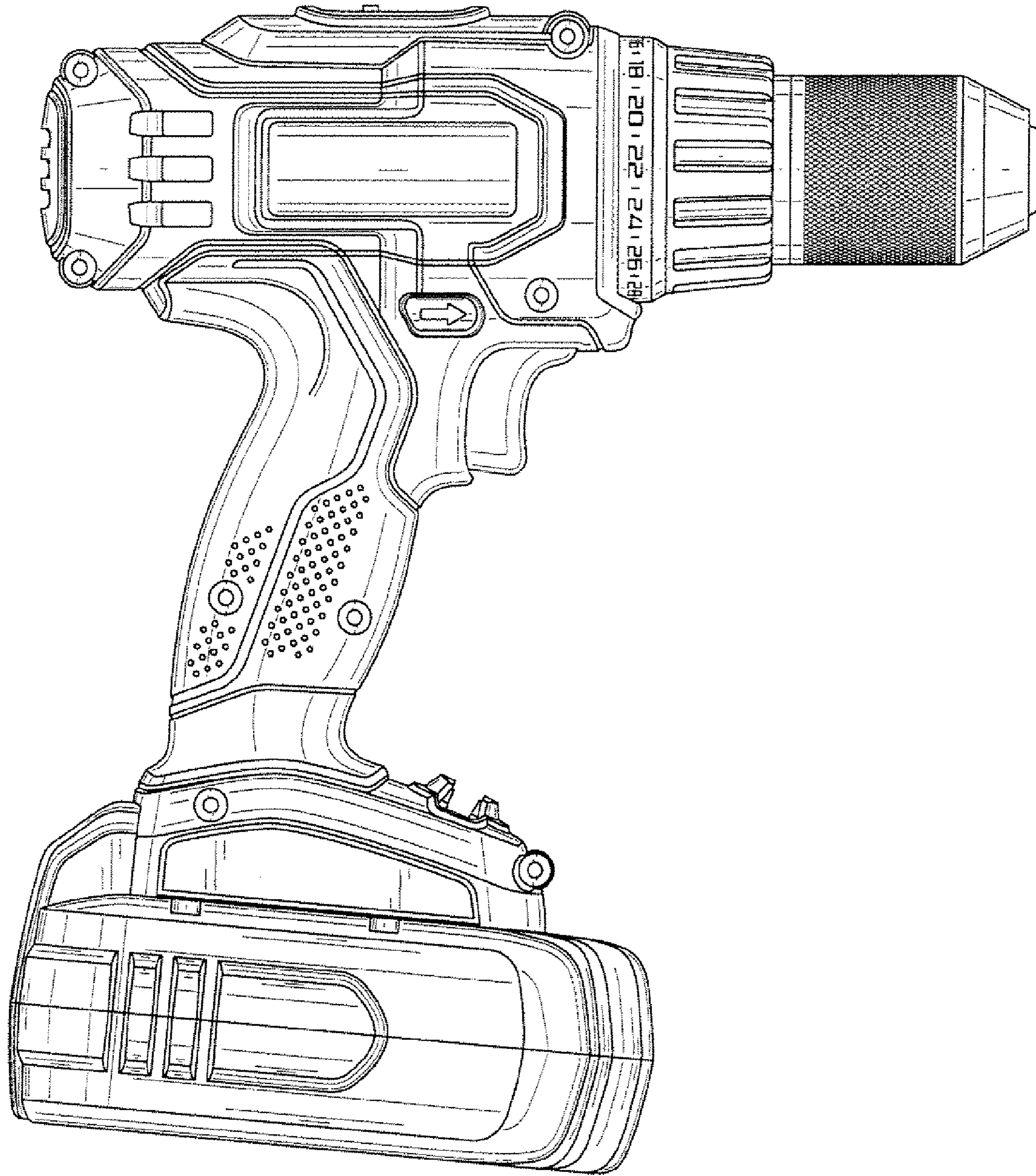


FIG. 4

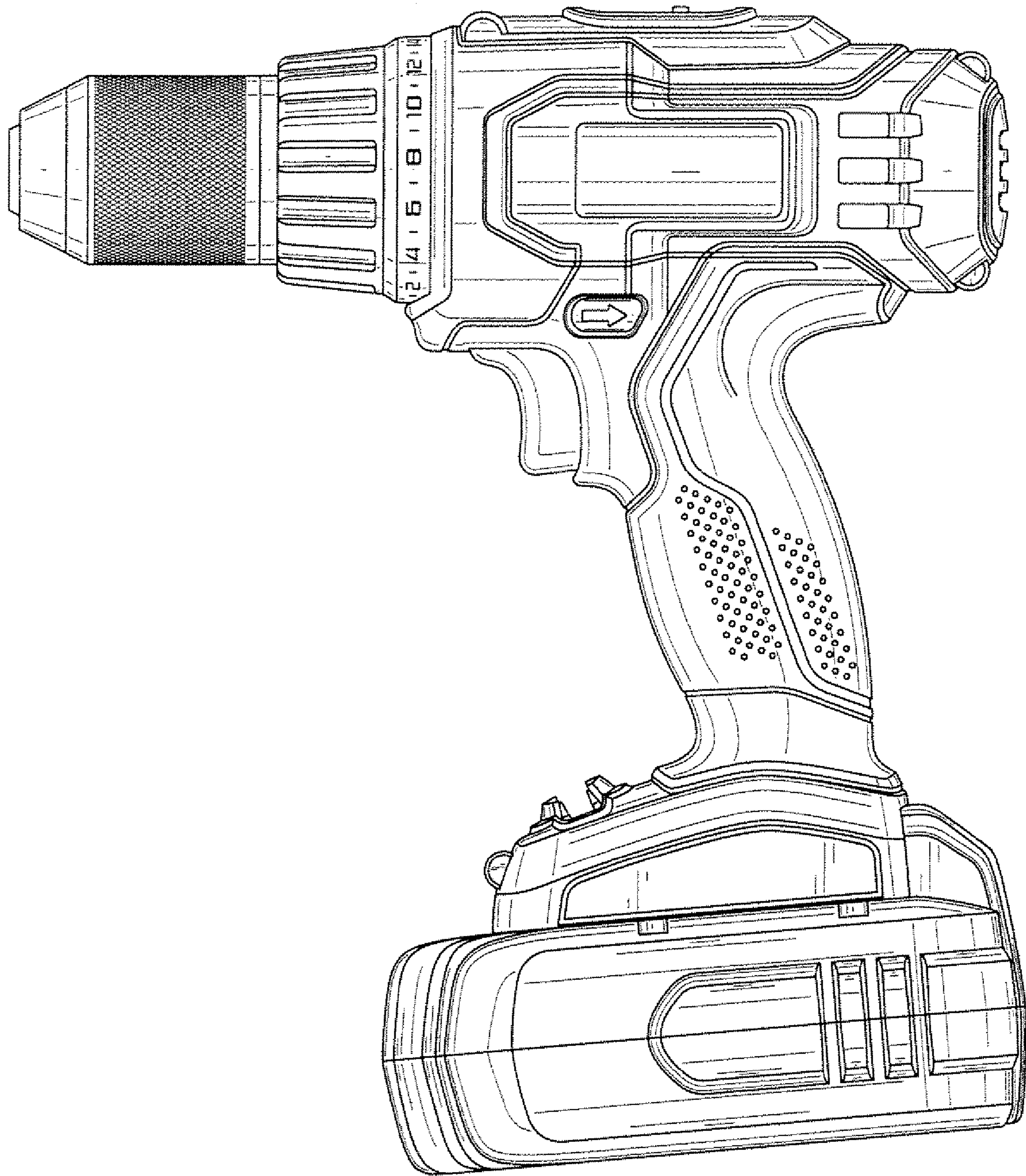


FIG. 5

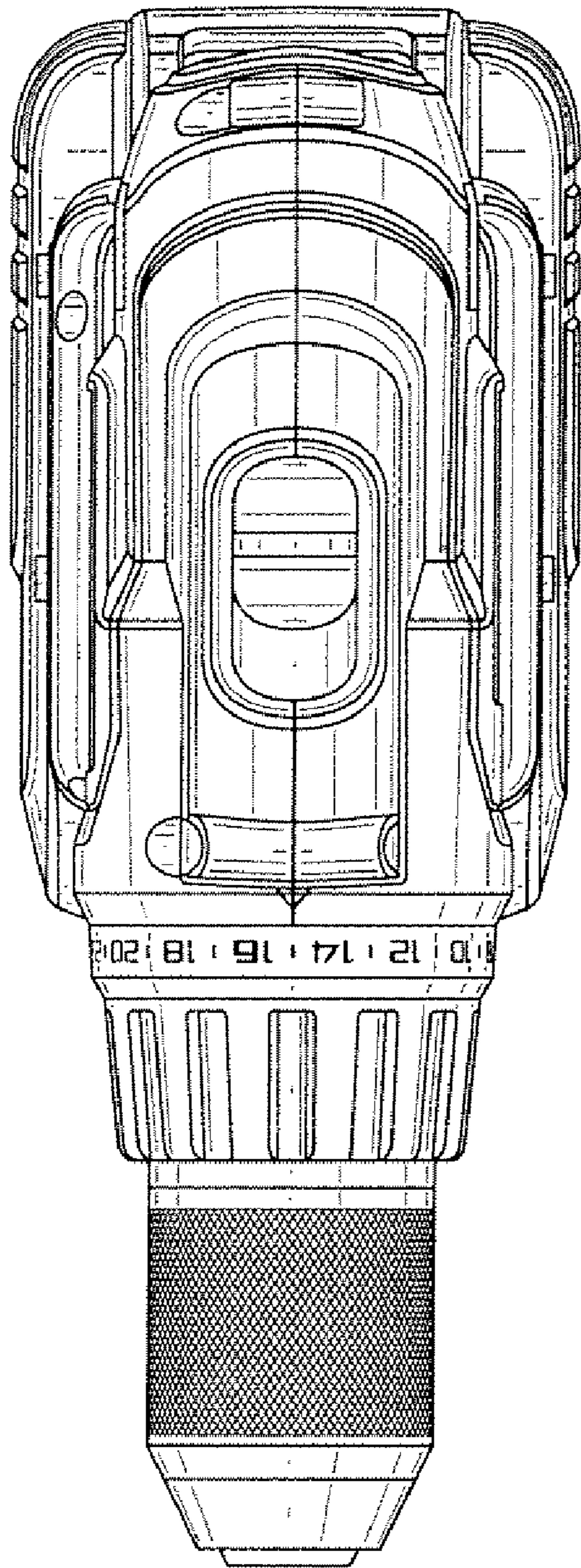


FIG. 6

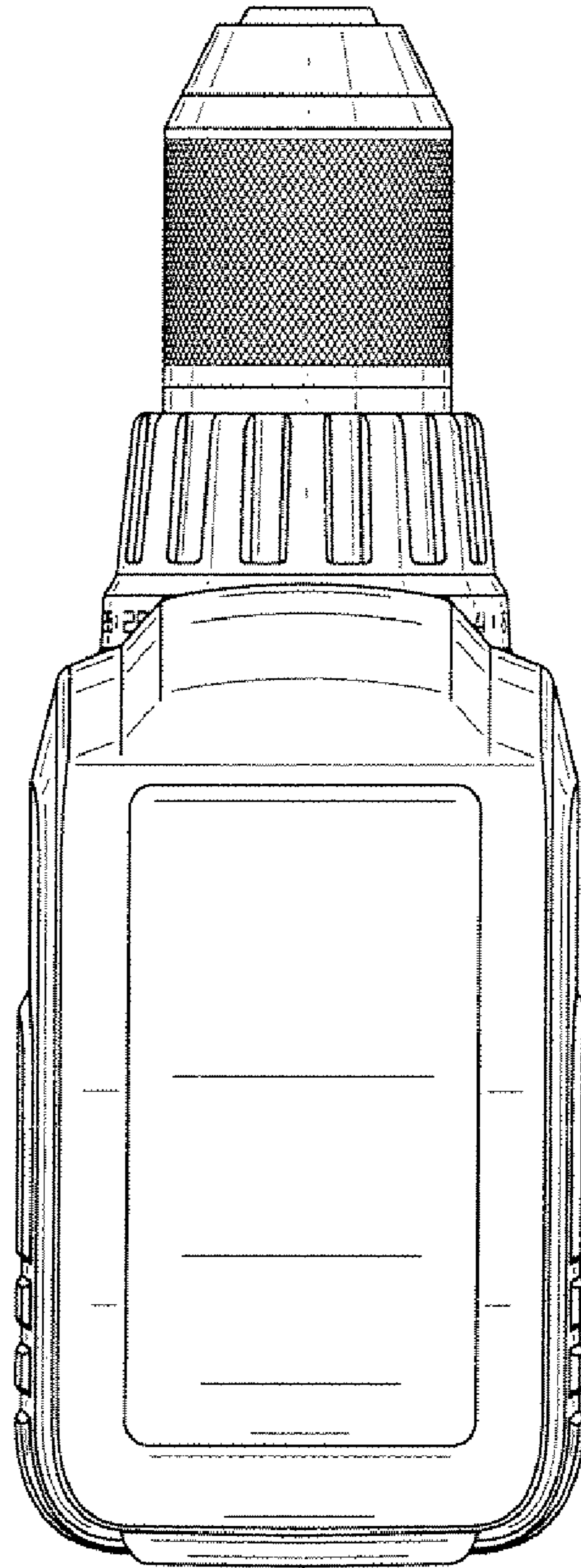


FIG. 7