



US00D611315S

(12) **United States Design Patent**
Keller

(10) **Patent No.:** **US D611,315 S**
(45) **Date of Patent:** **** Mar. 9, 2010**

(54) **CUTTING BOARD AND INTEGRATED SLICING KNIFE**

(76) Inventor: **Joseph Keller**, P.O. Box 903, Rifle, CO (US) 81650

(**) Term: **14 Years**

(21) Appl. No.: **29/344,557**

(22) Filed: **Sep. 30, 2009**

(51) **LOC (9) Cl.** **07-04**

(52) **U.S. Cl.** **D7/698**

(58) **Field of Classification Search** D7/388, D7/409, 505, 549, 552.2, 553.5, 553.8, 554.2, D7/555, 566, 587, 624.1, 637-638, 667, 673, D7/696, 698-699; D8/98; D18/34.1, 34.7; 83/13, 42, 391, 468.5, 558; 99/446, 449; 241/262; 269/13-16, 54.5, 289 R, 291-292, 269/297-298, 302.1, 303, 315, 900; 452/6, 452/16

See application file for complete search history.

(56) **References Cited**

U.S. PATENT DOCUMENTS

217,629	A *	7/1879	Marshall	83/391
775,601	A *	11/1904	Goldstein	83/468.5
1,013,361	A *	1/1912	Barry	83/558
1,274,551	A	8/1918	Hoyt	
1,307,552	A	6/1919	Johnson	
1,830,284	A	11/1931	Massa	
2,520,790	A *	8/1950	Wesik	452/16
D172,910	S *	8/1954	Vennell	D8/98
3,696,849	A *	10/1972	Davis	241/262

3,735,445	A *	5/1973	Jurcak	452/6
3,971,273	A *	7/1976	Peters et al.	83/42
4,054,994	A	10/1977	Grossman	
D247,603	S	3/1978	Grossman	
4,247,984	A	2/1981	McArdle et al.	
D295,866	S	5/1988	Davis	
D448,631	S *	10/2001	Erickson	D7/698
D450,224	S	11/2001	Dweck	
6,318,222	B1 *	11/2001	Weinman, Jr.	83/13
D468,343	S	1/2003	Lira-Nez	
D483,398	S *	12/2003	Mori et al.	D18/34.1
D529,539	S *	10/2006	Bathard et al.	D18/34.7
7,455,005	B2	11/2008	Giessler	
7,547,246	B1 *	6/2009	Verret	452/6

* cited by examiner

Primary Examiner—Caron Veynar
Assistant Examiner—Ricky Pham
(74) *Attorney, Agent, or Firm*—Kyle Fletcher

(57) **CLAIM**

The ornamental design for the cutting board and integrated slicing knife, as shown and described.

DESCRIPTION

FIG. 1 is a side view of the cutting board and integrated slicing knife.

FIG. 2 is a front view of the claimed design.

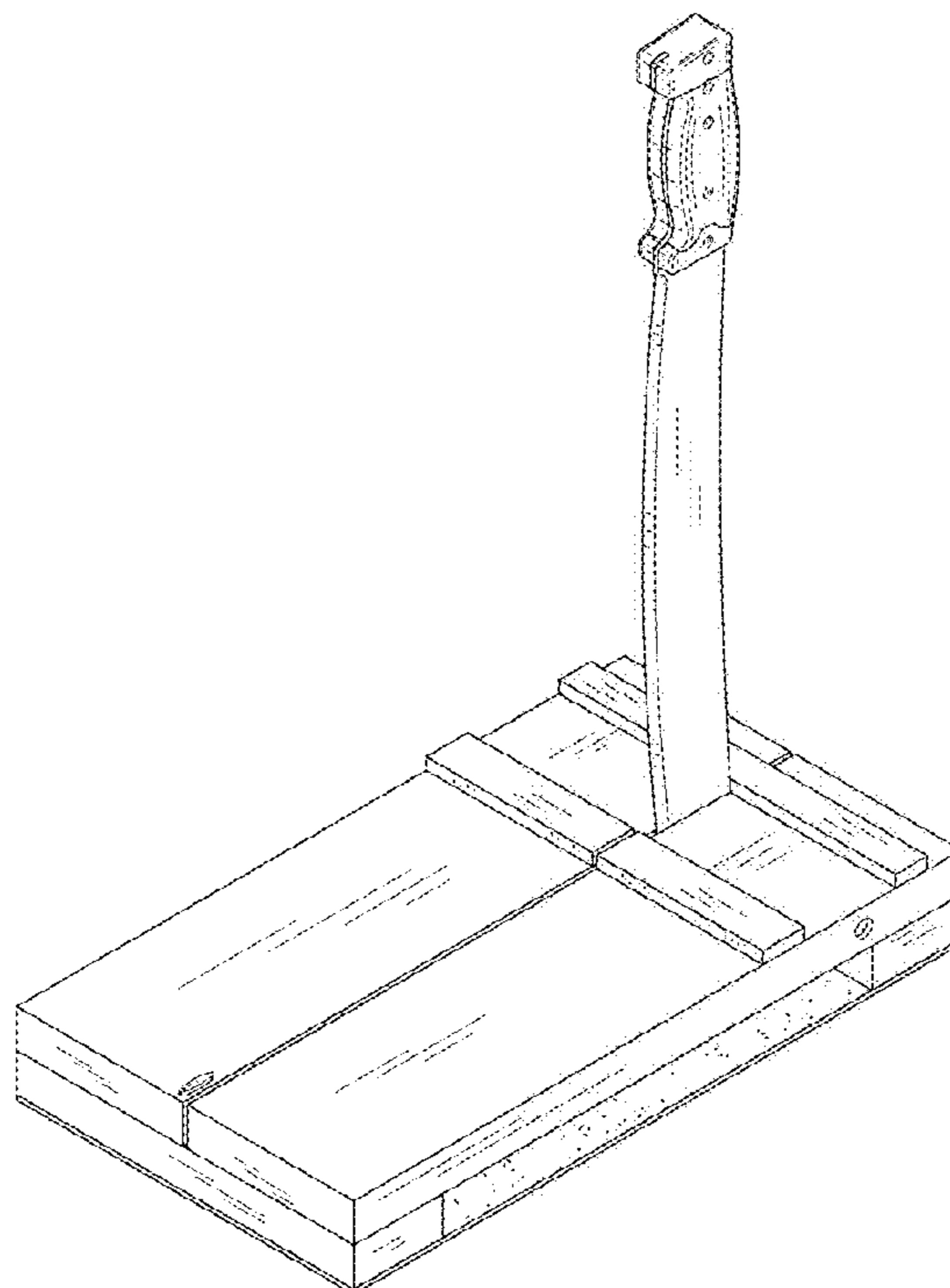
FIG. 3 is a rear view of the claimed design.

FIG. 4 is a top view of the claimed design.

FIG. 5 is a bottom view of the claimed design; and,

FIG. 6 is an isometric view of the claimed design.

1 Claim, 4 Drawing Sheets



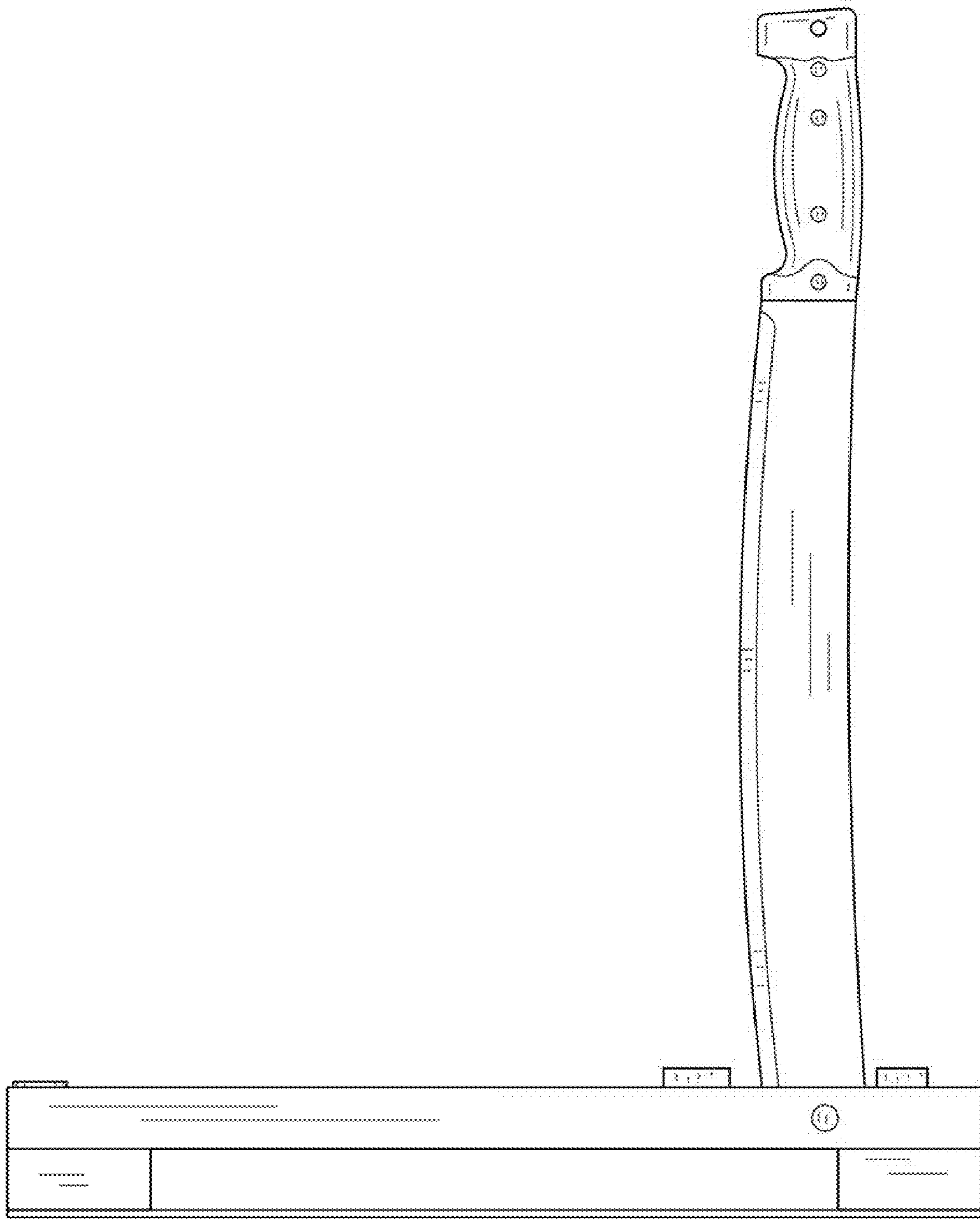


FIG. 1

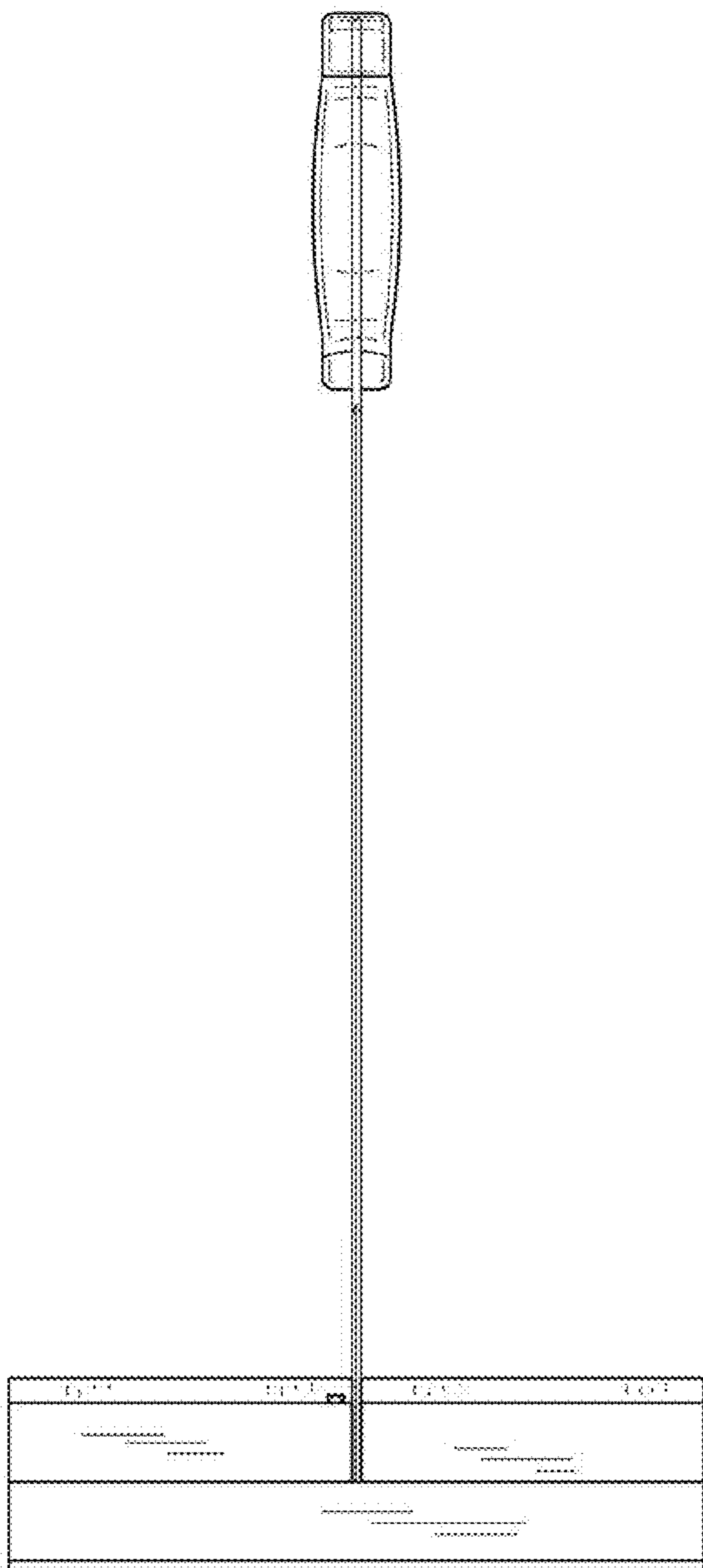


FIG. 2

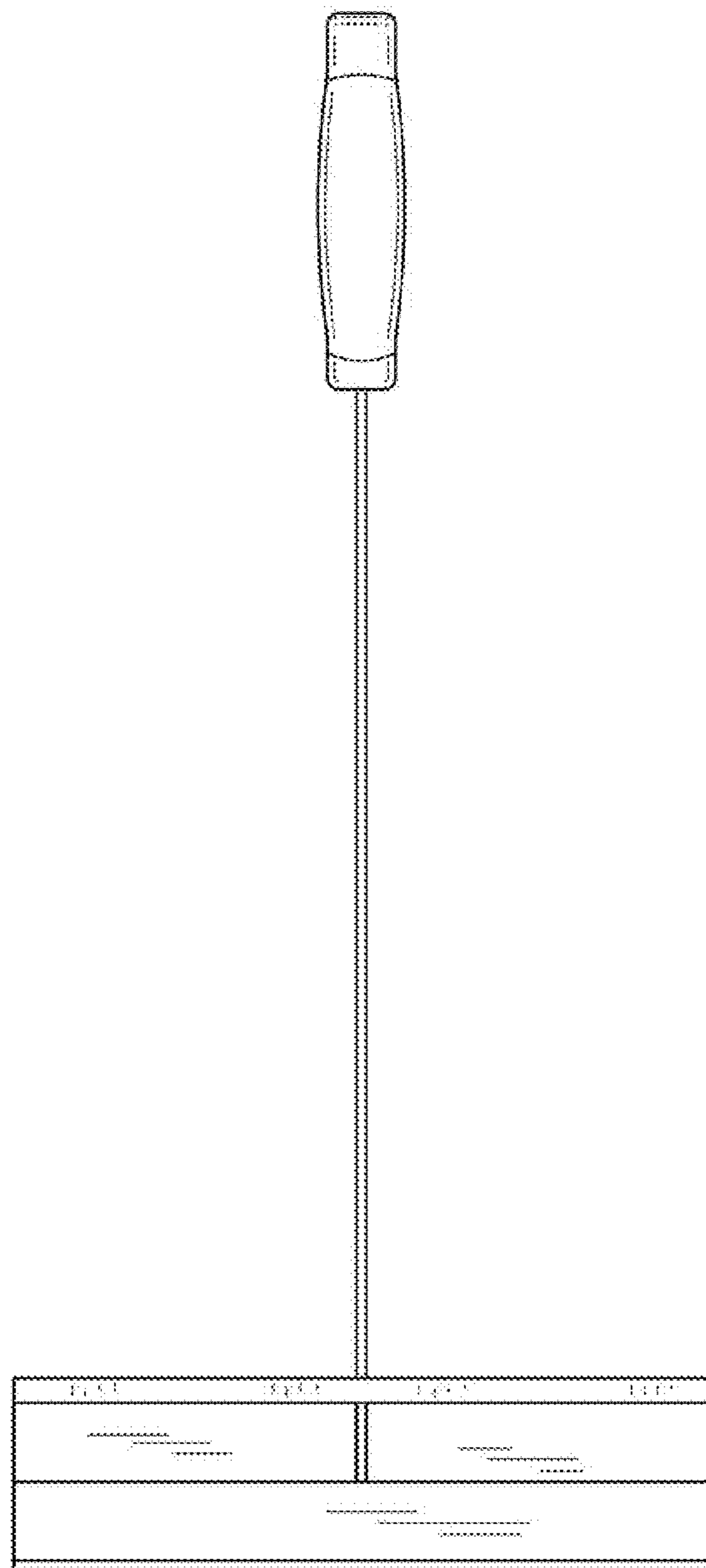


FIG. 3

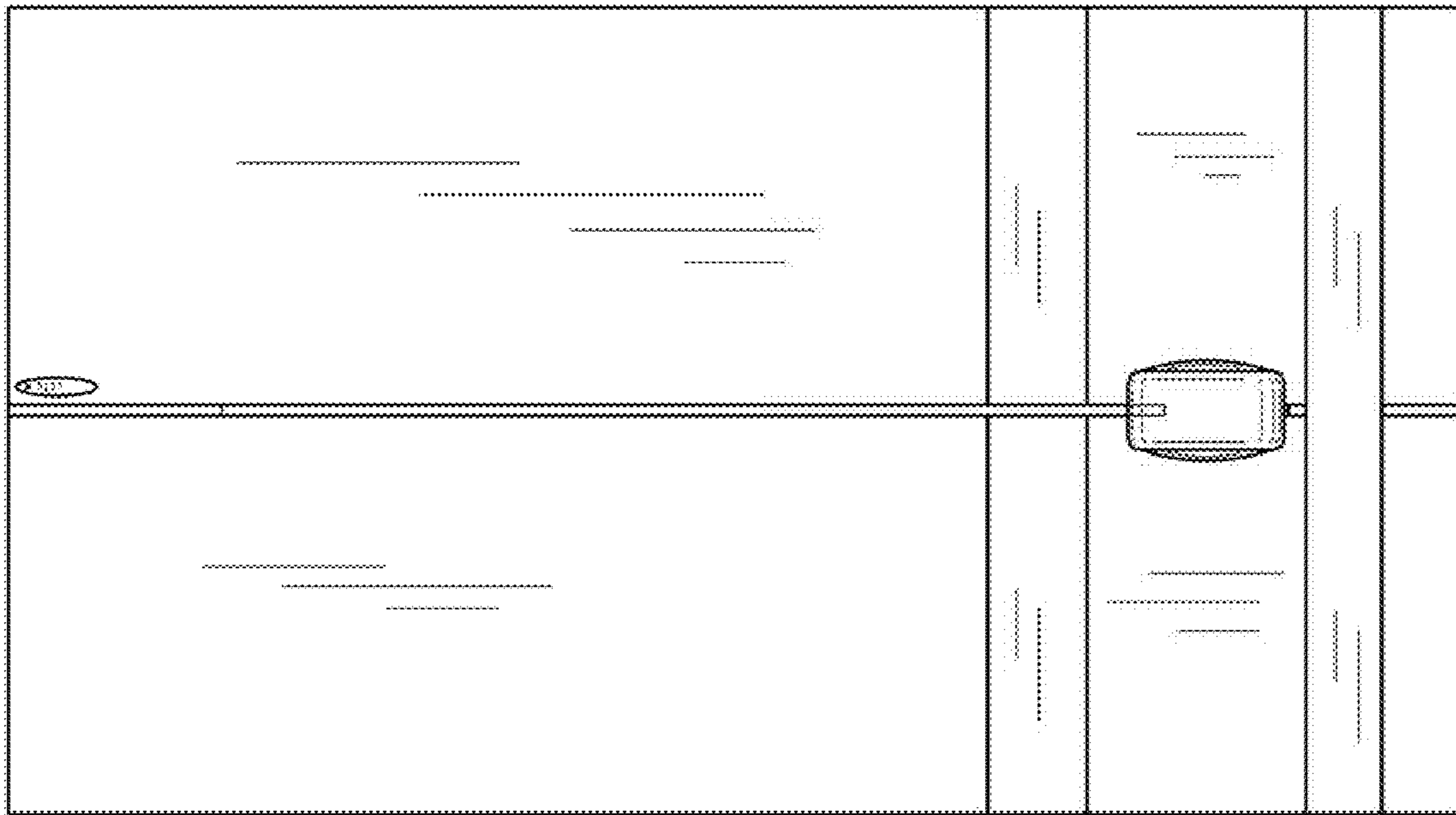


FIG. 4

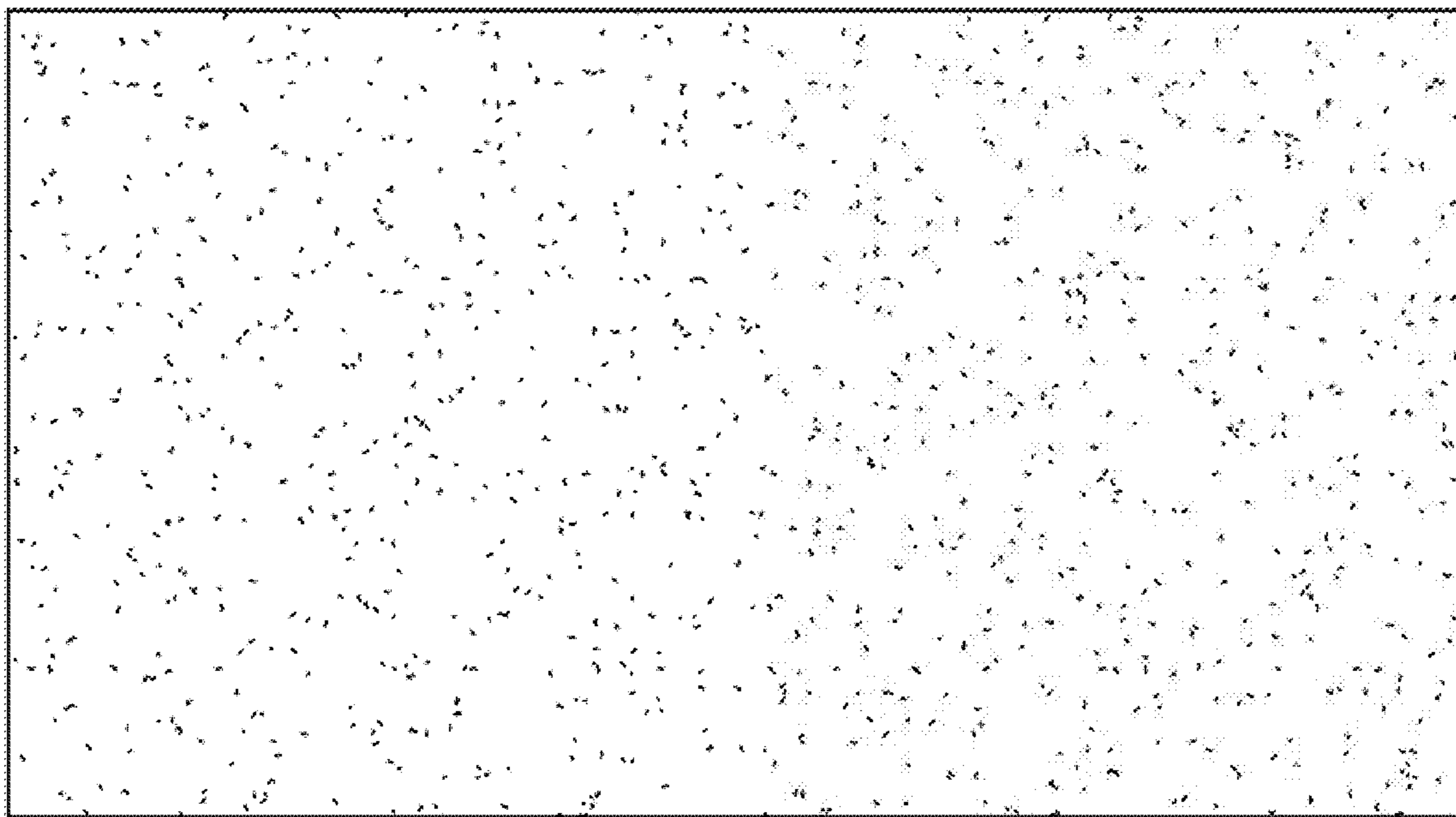


FIG. 5

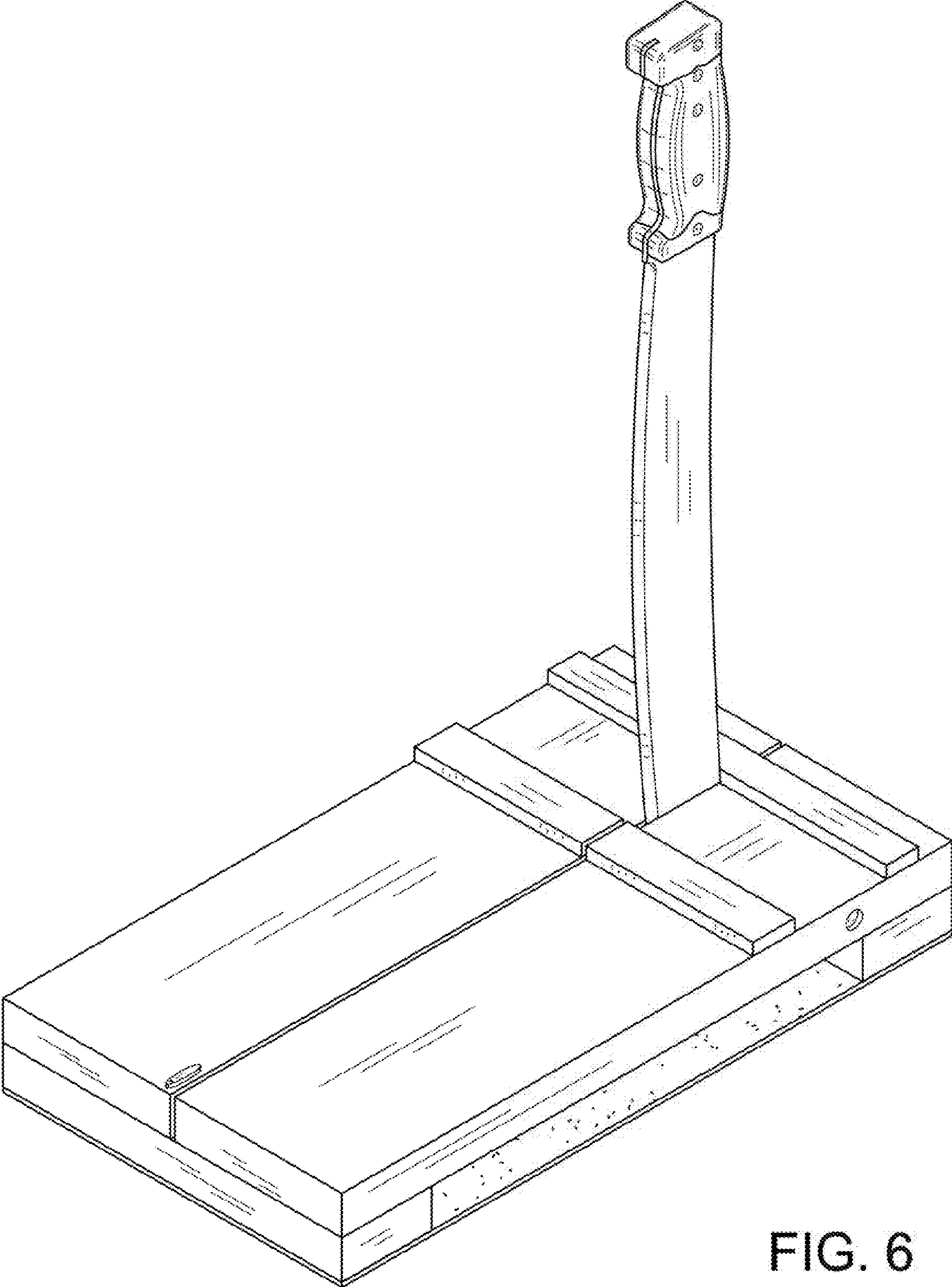


FIG. 6