



US00D611311S

(12) **United States Design Patent**
Smith et al.

(10) **Patent No.:** **US D611,311 S**
(45) **Date of Patent:** **** Mar. 9, 2010**

(54) **MANDOLINE**

6,082,645 A * 7/2000 Himmighofen et al. 241/168
D496,834 S * 10/2004 Boerner D7/673

(75) Inventors: **Richard S. Smith**, Hot Springs, AR
(US); **Louis Chalfant**, Hot Springs, AR
(US)

* cited by examiner

Primary Examiner—Terry A Wallace

(74) *Attorney, Agent, or Firm*—Edward D. Gilhooly

(73) Assignee: **Smith Abrasives, Inc.**, Hot Springs, AR
(US)

(57) **CLAIM**

(**) Term: **14 Years**

The design for a mandoline, as shown and described.

(21) Appl. No.: **29/311,261**

DESCRIPTION

(22) Filed: **Feb. 3, 2009**

FIG. 1 is a front perspective view of the design for a mandoline of the invention;

(51) **LOC (9) Cl.** **07-04**

(52) **U.S. Cl.** **D7/673**

FIG. 2 is the lower out feed end elevational view of the mandoline of FIG. 1;

(58) **Field of Classification Search** D7/672–676,
D7/693, 678, 381, 368, 669; 241/92–95,
241/100, 168, 169, 169.1, 273.1–273.4, 274,
241/275; 30/114, 278, 279.6, 280, 283, 286,
30/287, 389–391

FIG. 3 is front elevational view of the mandoline of FIG. 1;

FIG. 4 is the raised in feed end elevational view of the mandoline of FIG. 1;

FIG. 5 is a back elevational view of the mandoline of FIG. 1;

FIG. 6 is top plan view of the mandoline of FIG. 1; and,

FIG. 7 is bottom plan view of the mandoline of FIG. 1.

See application file for complete search history.

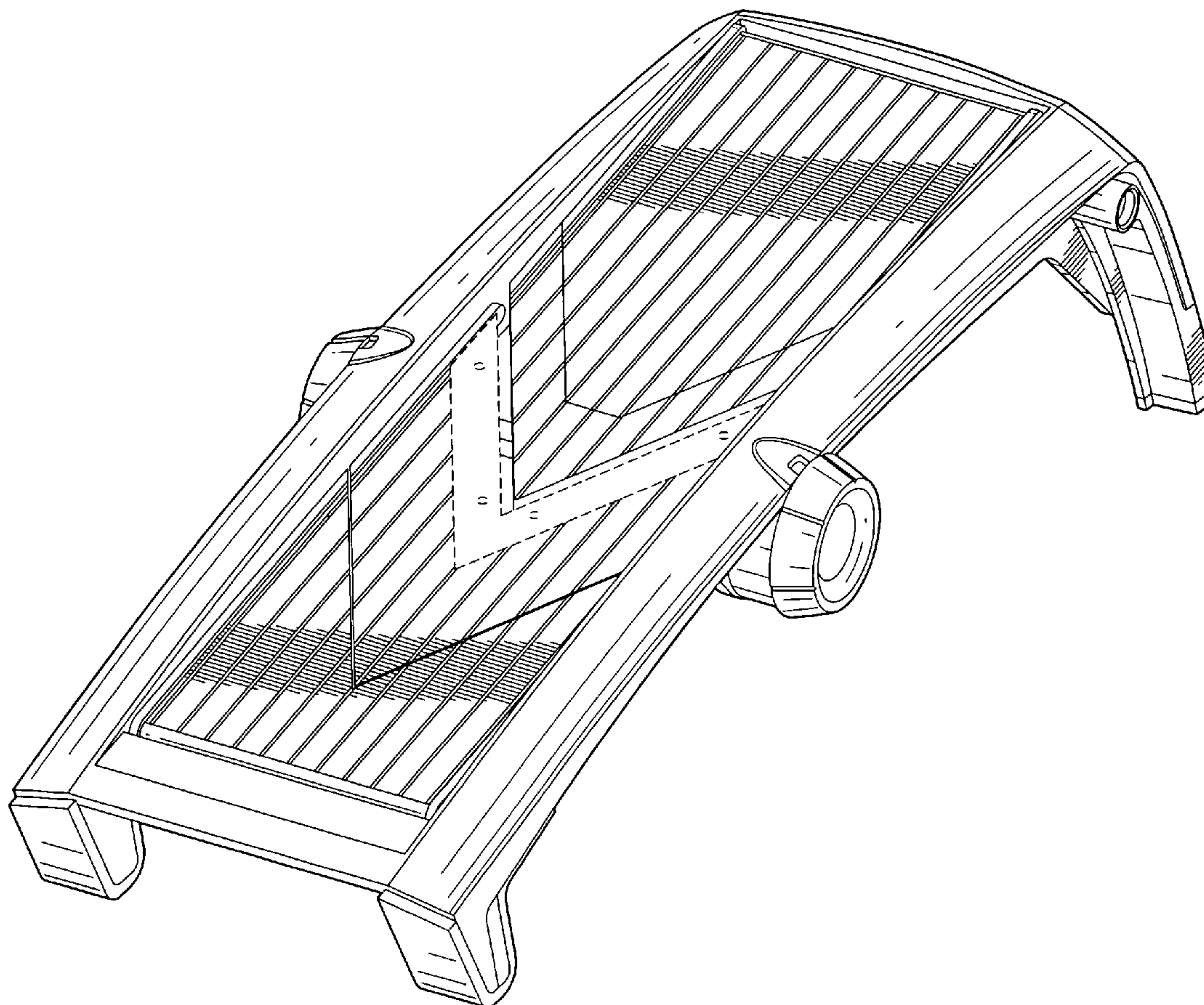
The broken line structure shown in FIGS. 1, 2, 6, and 7 forms no part of the claimed design.

(56) **References Cited**

U.S. PATENT DOCUMENTS

D326,388 S * 5/1992 Boerner D7/673
D406,018 S * 2/1999 Zirbes D7/673

1 Claim, 7 Drawing Sheets



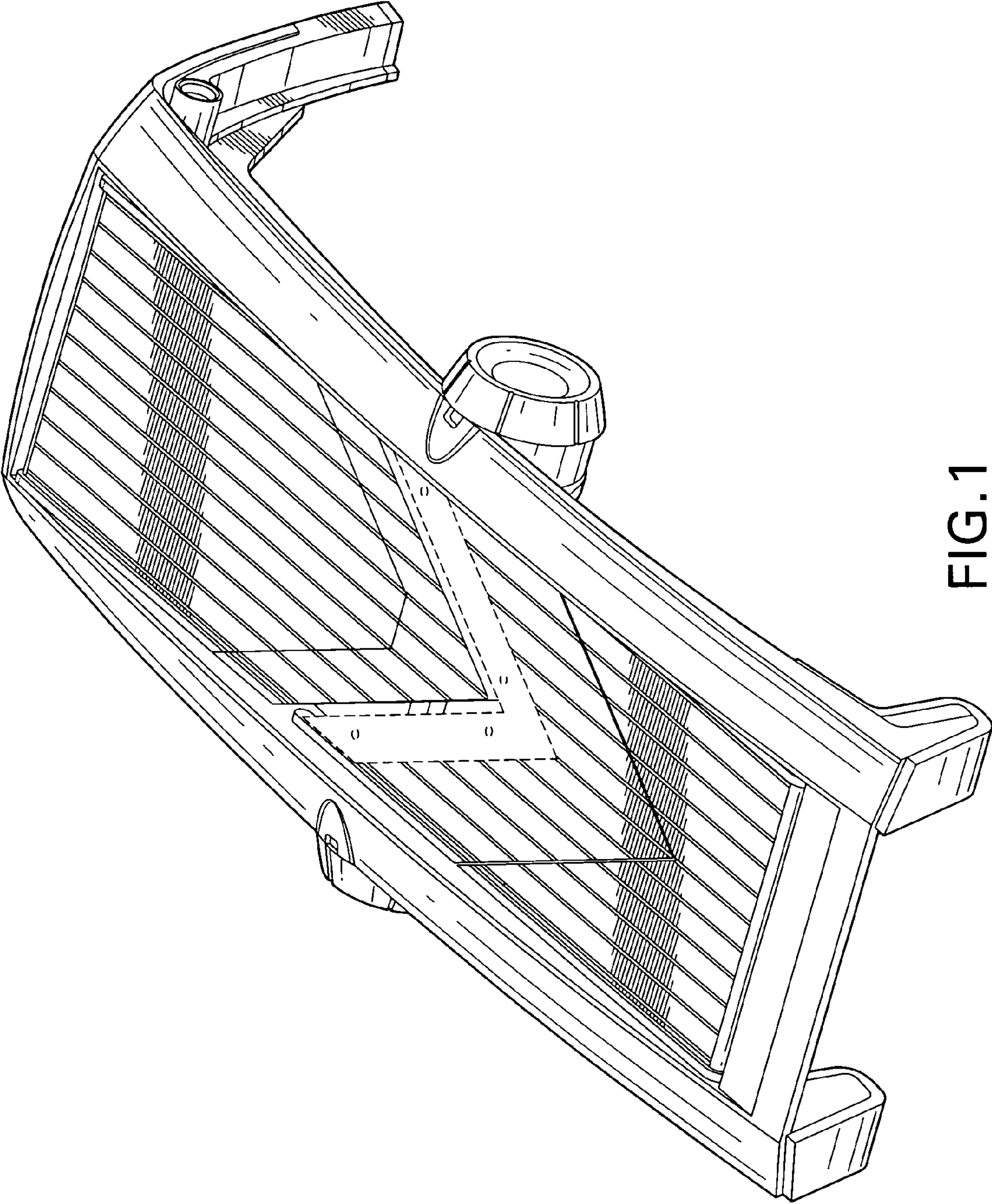


FIG.1

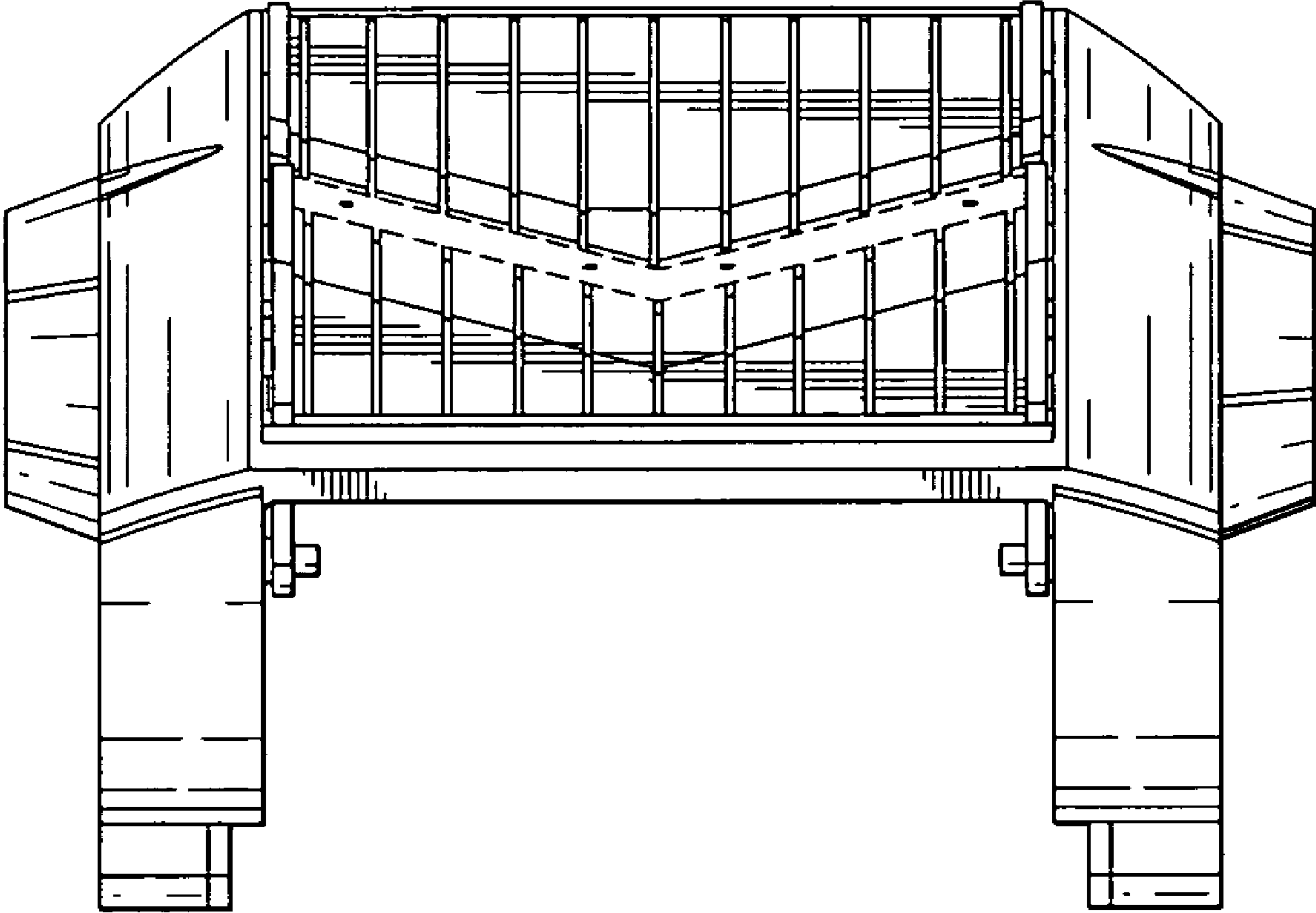


FIG. 2

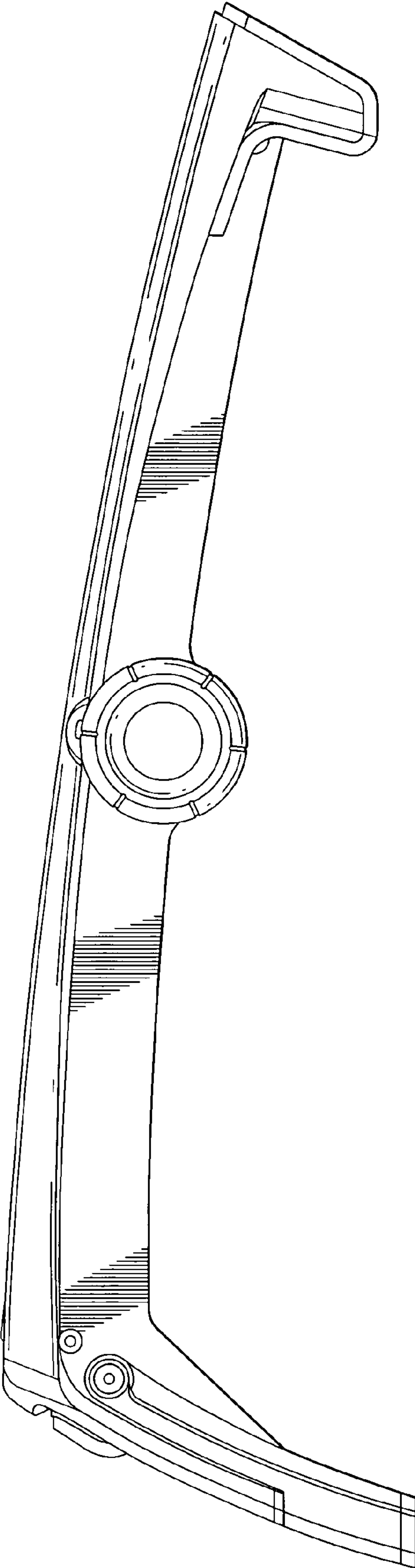


FIG. 3

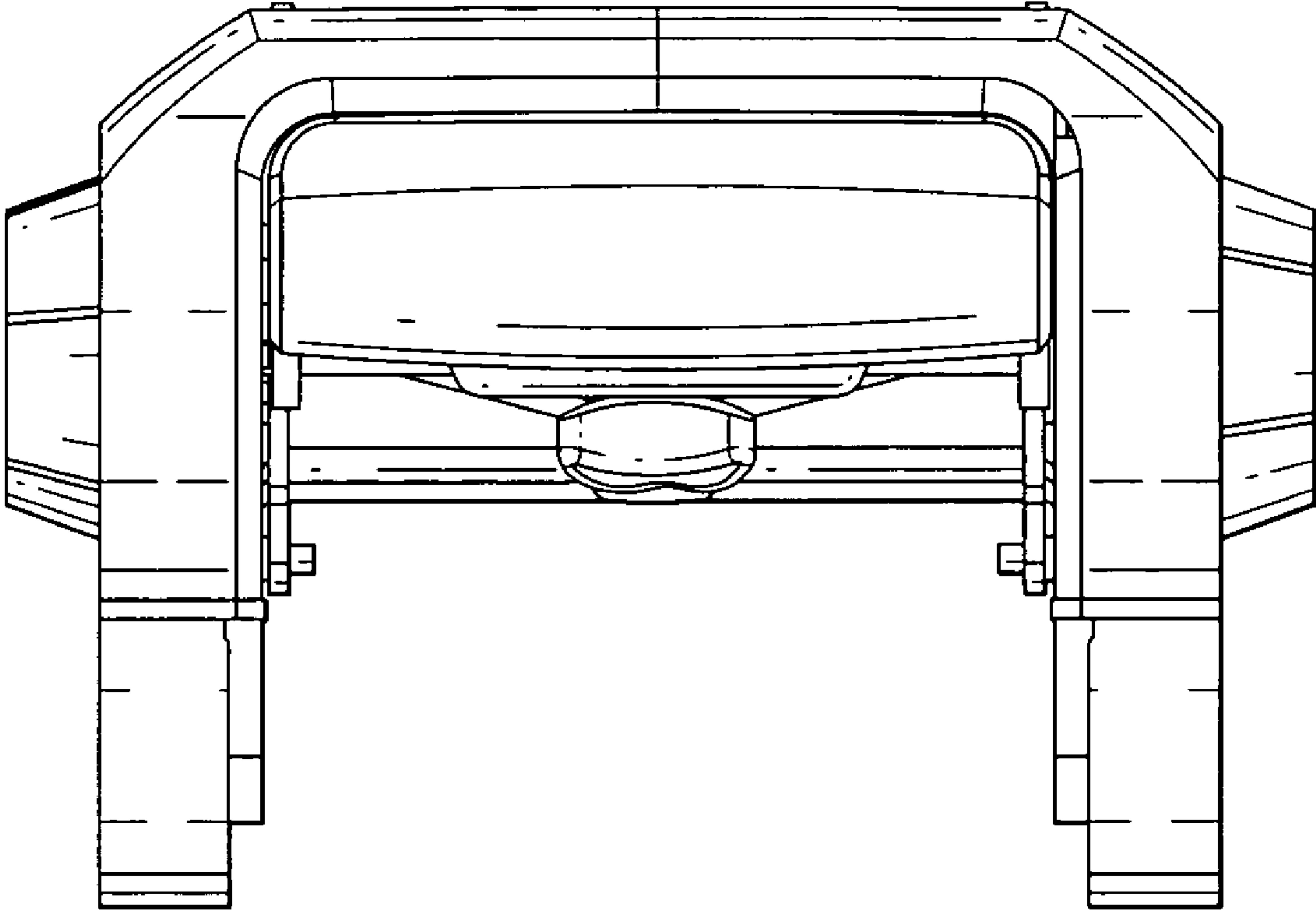


FIG. 4

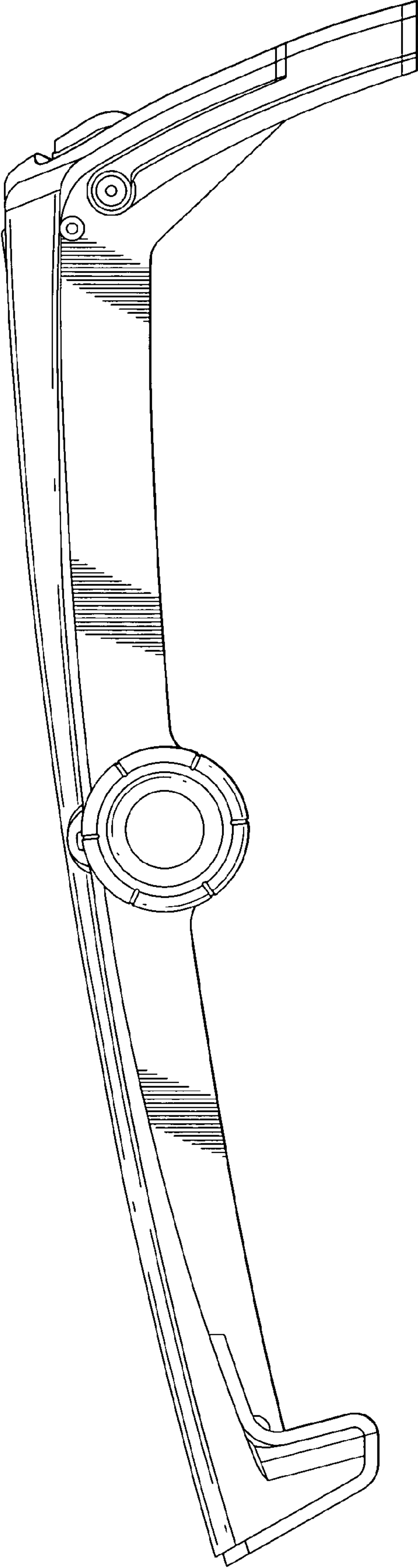


FIG. 5

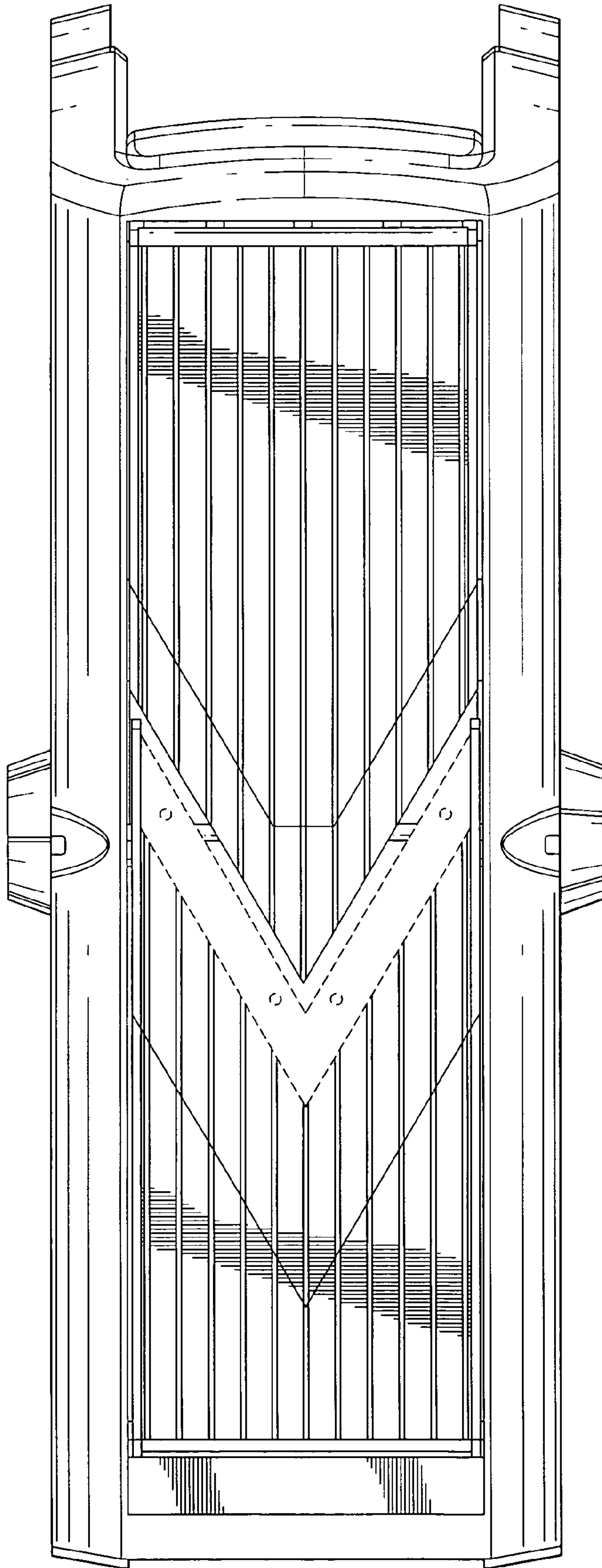


FIG. 6

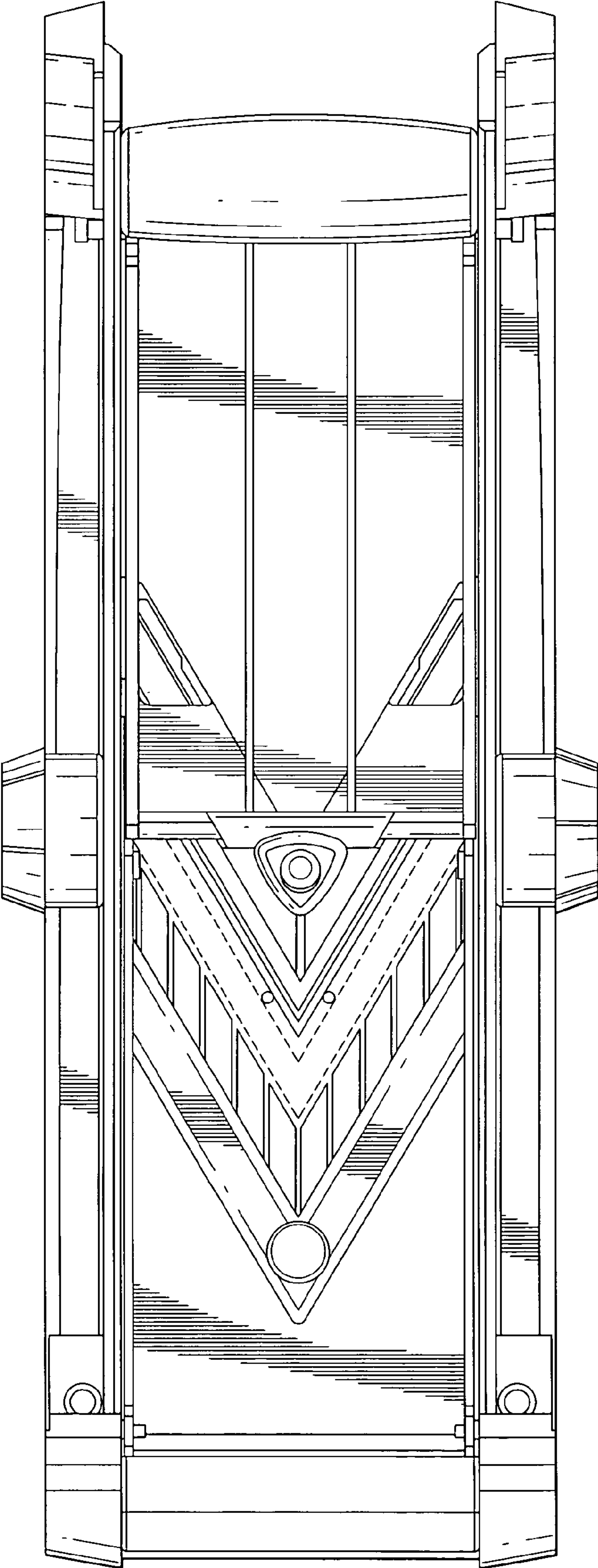


FIG. 7