



US00D611303S

(12) **United States Design Patent**
Cimmerer et al.

(10) **Patent No.:** **US D611,303 S**
(45) **Date of Patent:** **** Mar. 9, 2010**

(54) **DOMED FOOD CONTAINER**

(75) Inventors: **Tim Cimmerer**, Paragould, AR (US);
Satya Garg, St. Louis, MO (US); **Dieter**
Oelschlaeger, Paragould, AR (US);
Kevin Krueger, Fenton, MO (US);
Brent Riales, Paragould, AR (US)

(73) Assignee: **Anchor Packaging, Inc.**, St. Louis, MO
(US)

(**) Term: **14 Years**

(21) Appl. No.: **29/308,394**

(22) Filed: **Jun. 13, 2008**

Related U.S. Application Data

(62) Division of application No. 12/008,600, filed on Jan.
11, 2008.

(51) **LOC (9) Cl.** **07-01**

(52) **U.S. Cl.** **D7/538; D9/425**

(58) **Field of Classification Search** D3/314,
D3/201, 307; 426/523; 219/728, 732; 229/406;
220/608, 4.23, 4.22, 4.24; 206/544, 520;
62/457.6; D9/425, 707, 452, 429, 453, 419,
D9/426, 428, 424, 427, 430, 432; D7/542,
D7/538, 500, 543, 360, 361, 601, 602, 701-708,
D7/354, 355-358, 587, 554.3

See application file for complete search history.

(56) **References Cited**

U.S. PATENT DOCUMENTS

3,253,762 A * 5/1966 Norman Gaunt Thomas 206/
521.1
D224,587 S * 8/1972 Jewell D9/425
D276,216 S * 11/1984 Michaud D9/425
4,535,889 A * 8/1985 Terauds 206/527
D280,590 S * 9/1985 Schrage D7/360
D296,191 S * 6/1988 Yoshida et al. D9/425
D312,024 S * 11/1990 Antoni et al. D7/545
4,974,738 A * 12/1990 Kidd et al. 220/4.24
D344,658 S * 3/1994 Arkoosh et al. D7/554.3

5,423,453 A * 6/1995 Fritz 220/608
D376,314 S * 12/1996 Krupa D9/425
D382,796 S * 8/1997 Mangla D9/429
D389,056 S * 1/1998 Hayes et al. D9/435
D392,881 S * 3/1998 Bulcher et al. D9/425
5,730,313 A * 3/1998 Hayes et al. 220/526
D444,382 S * 7/2001 Hayes et al. D9/452
D446,719 S * 8/2001 Garraway D9/425
D461,123 S * 8/2002 Hayes et al. D9/429
D470,048 S * 2/2003 Buchalski et al. D9/425
D487,210 S * 3/2004 Isler et al. D7/354
D514,443 S * 2/2006 Sarnoff D9/434
7,228,986 B2 * 6/2007 Hayes et al. 220/675

(Continued)

Primary Examiner—Robert M Spear
Assistant Examiner—Cynthia Underwood
(74) *Attorney, Agent, or Firm*—Gallop, Johnson & Neuman,
L.C.

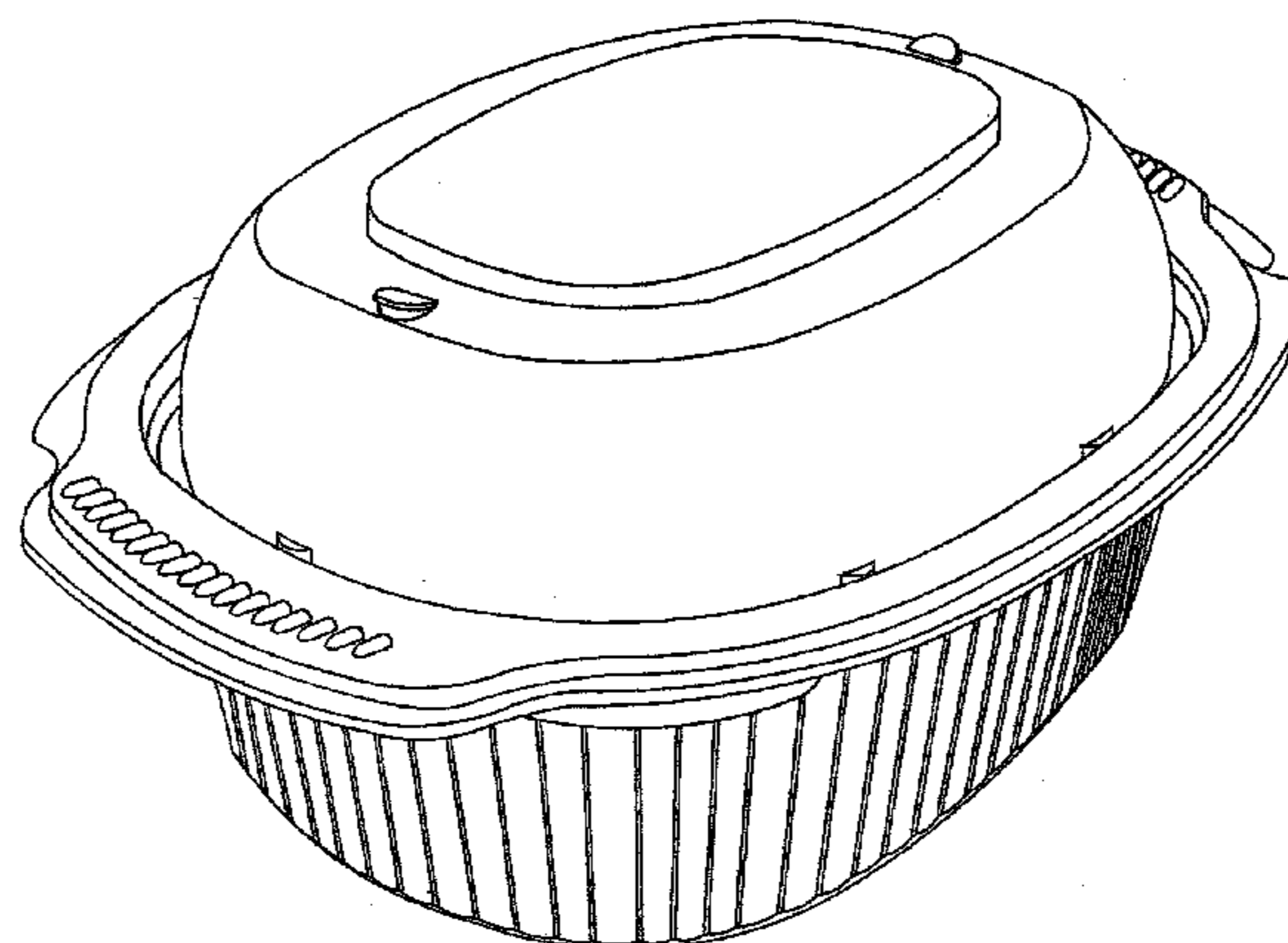
(57) **CLAIM**

We claim the ornamental appearance for a domed food con-
tainer, as shown and described.

DESCRIPTION

FIG. 1 is a perspective view of the domed food container of
our new design;
FIG. 2 is a side elevation view thereof;
FIG. 3 is a side elevation view of the base thereof;
FIG. 4 is a top view thereof of the base thereof, where the
broken lines show a portion of the structure that forms no part
of the claim.
FIG. 5 is a side elevation view of the lid thereof; and,
FIG. 6 is a top view of the lid thereof.

1 Claim, 6 Drawing Sheets



US D611,303 S

Page 2

U.S. PATENT DOCUMENTS	2009/0081336 A1*	3/2009	Tuszkiewicz et al.	426/113
D553,490 S *	10/2007	Yang et al.	D9/425	
D570,681 S *	6/2008	Hussain et al.	D9/425	* cited by examiner

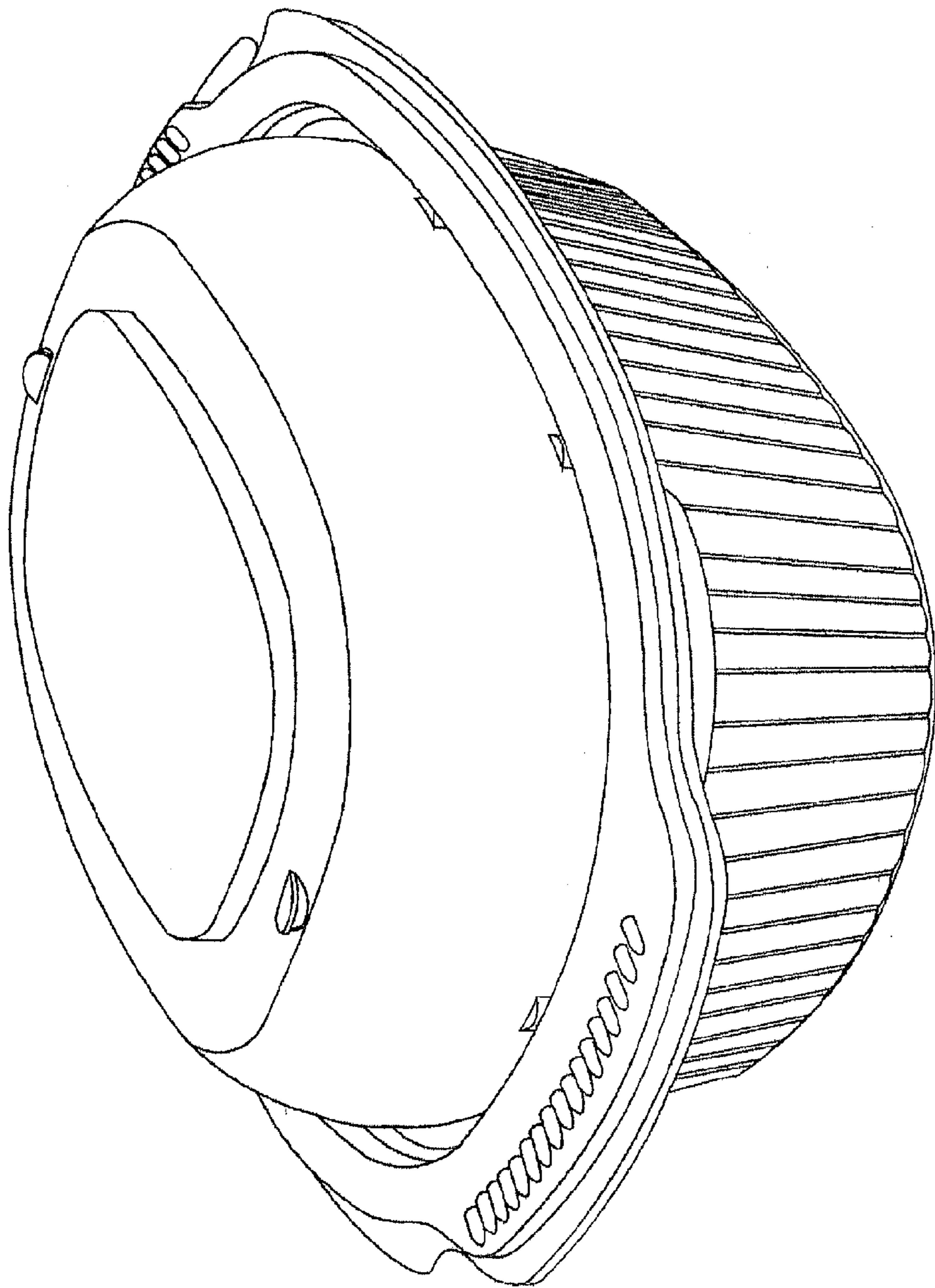


FIG 1

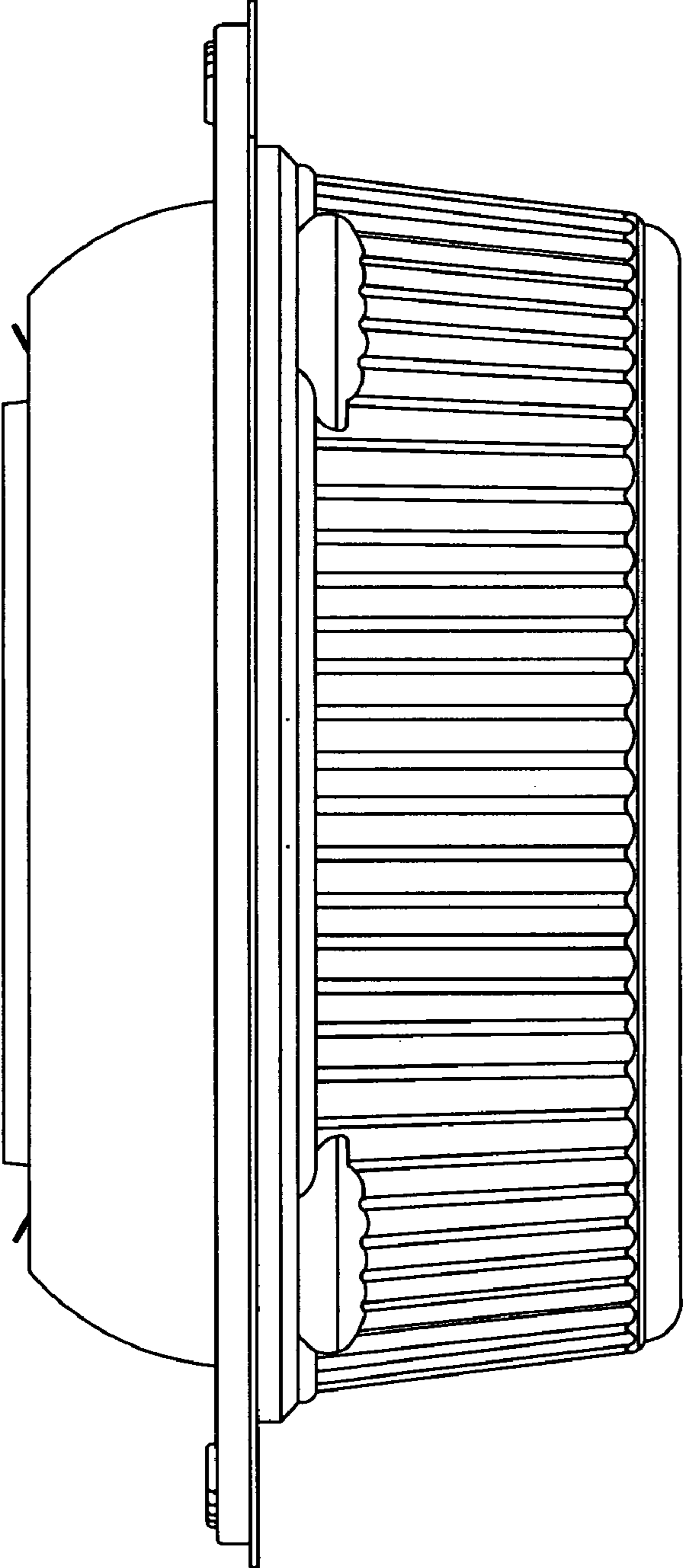


FIG 2

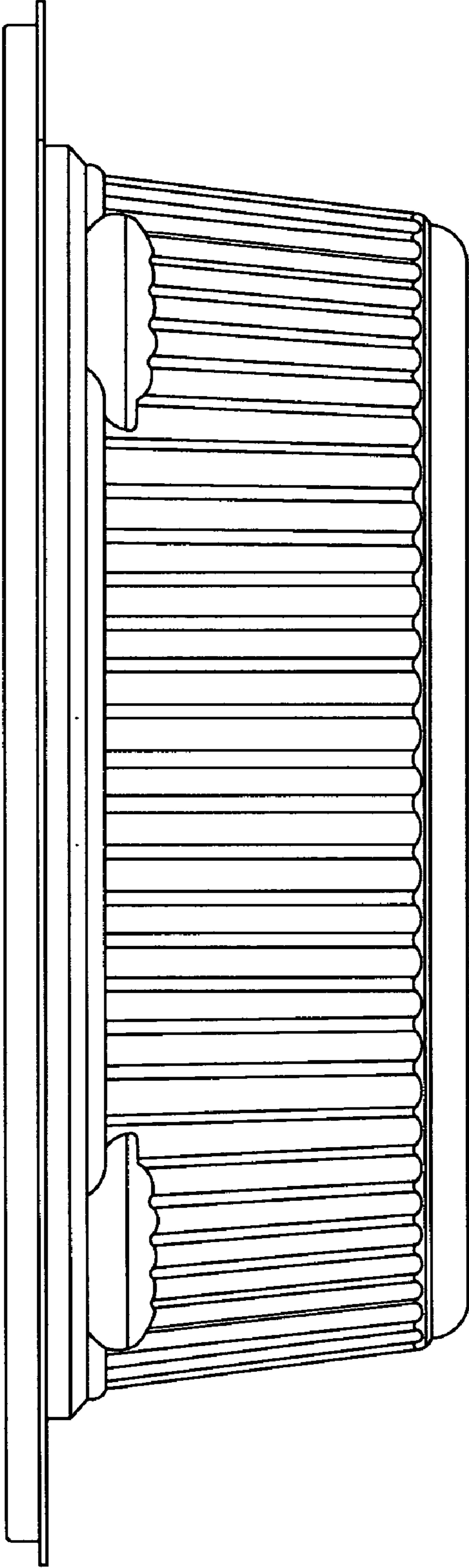


FIG 3

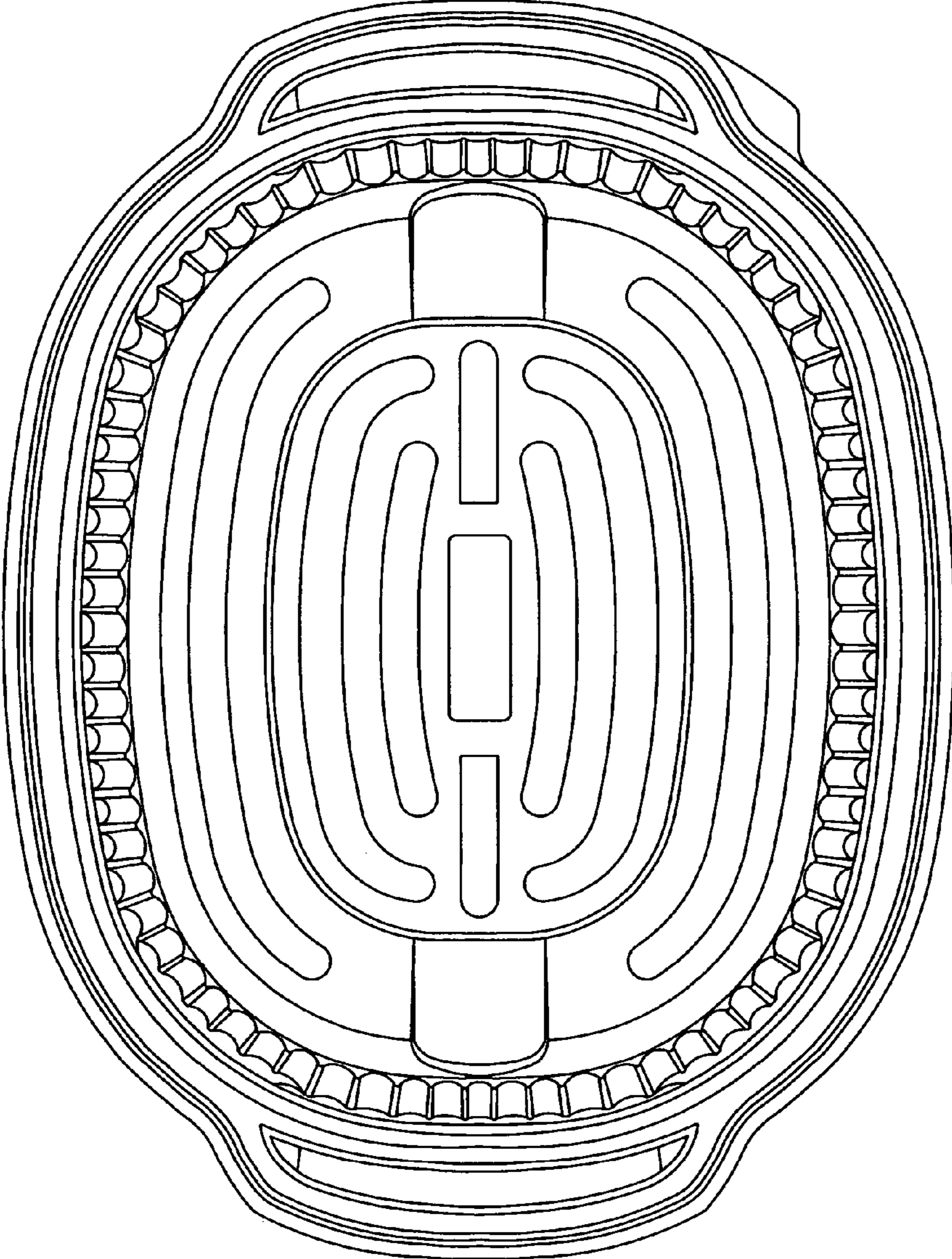


FIG 4

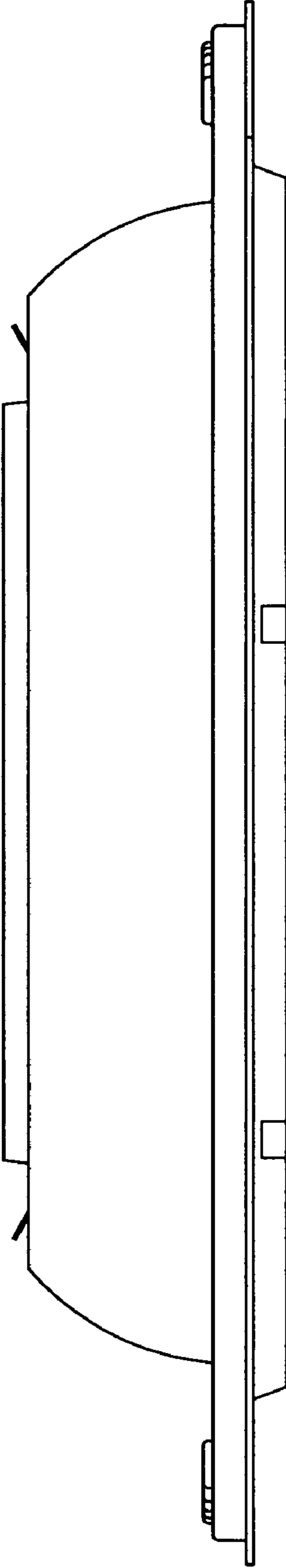


FIG 5

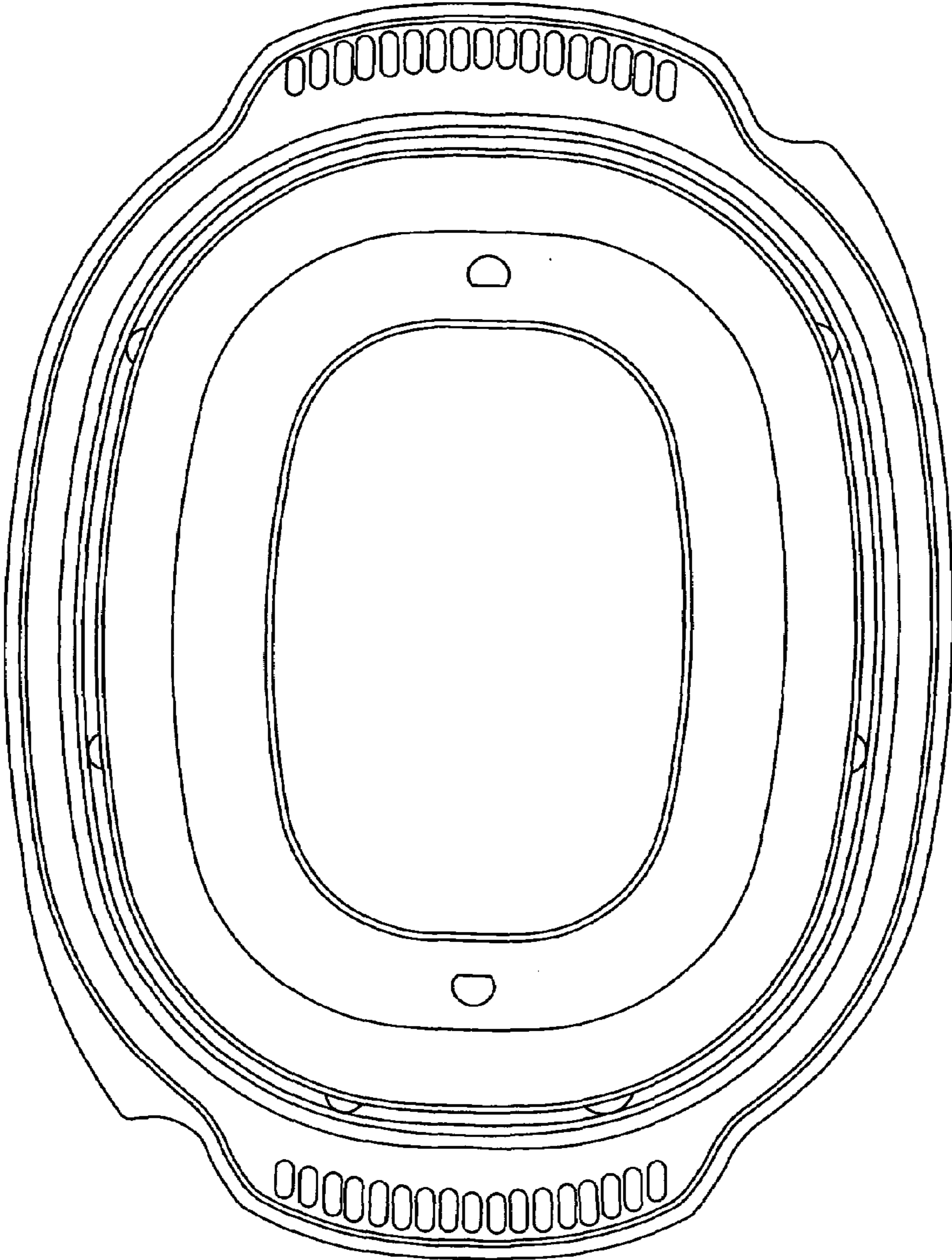


FIG 6

UNITED STATES PATENT AND TRADEMARK OFFICE
CERTIFICATE OF CORRECTION

PATENT NO. : Des. 611,303 S
APPLICATION NO. : 29/308394
DATED : March 9, 2010
INVENTOR(S) : Zimmerer et al.

Page 1 of 2

It is certified that error appears in the above-identified patent and that said Letters Patent is hereby corrected as shown below:

Please delete drawing sheet 4 of 6 and insert drawing sheet 4 of 6 as attached.

Signed and Sealed this

Twentieth Day of July, 2010

A handwritten signature in black ink that reads "David J. Kappos". The signature is written in a cursive, flowing style.

David J. Kappos
Director of the United States Patent and Trademark Office

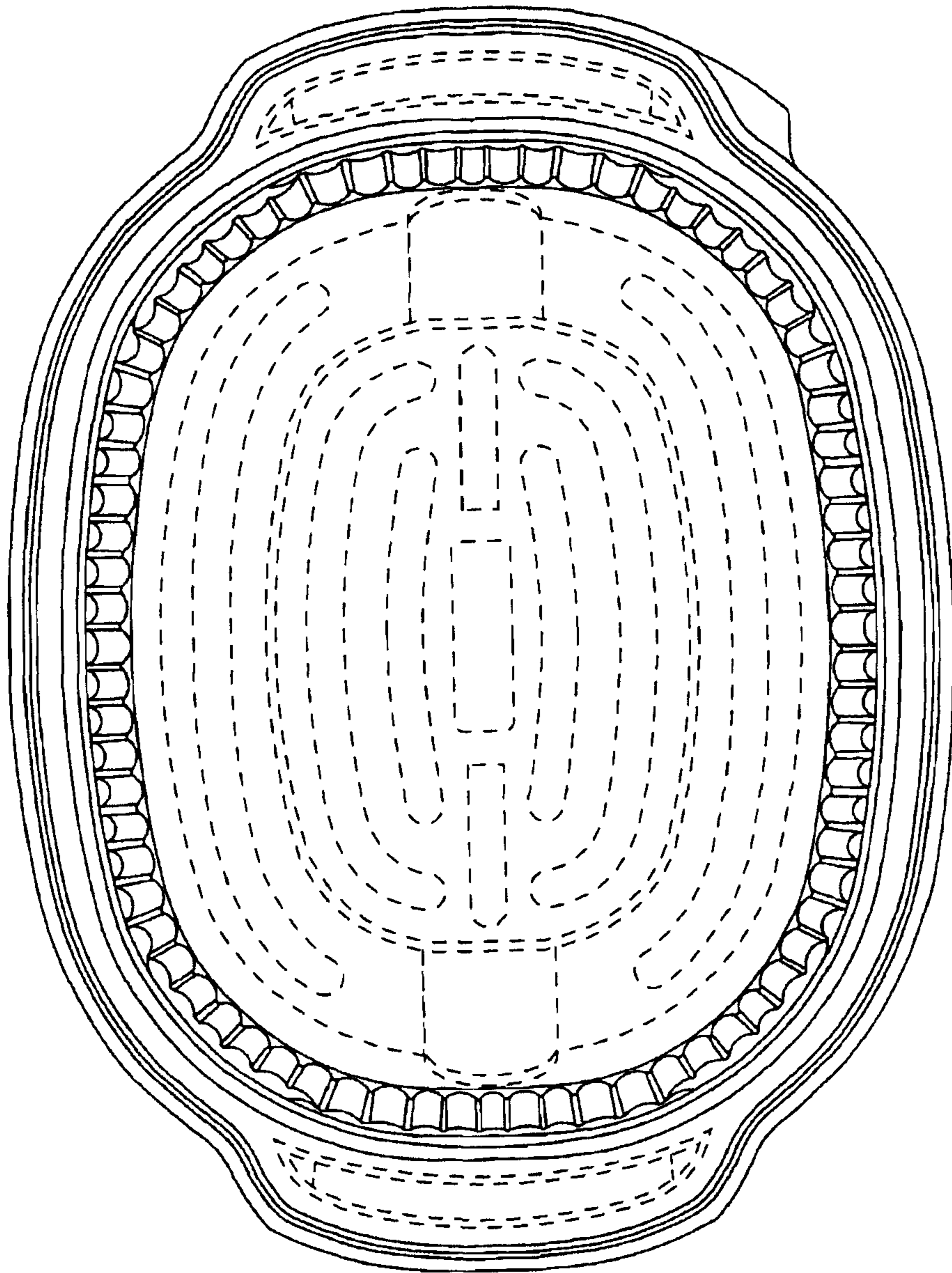


FIG 4