



US00D611301S

(12) **United States Design Patent**  
**Amano**

(10) **Patent No.:** **US D611,301 S**  
(45) **Date of Patent:** **\*\* Mar. 9, 2010**

(54) **CUP**

(76) Inventor: **Tsutomu Amano**, 3-62, Joboku-cho,  
Nishi-ku, Nagoya-shi, Aichi 451-0023  
(JP)

(\*\*) Term: **14 Years**

(21) Appl. No.: **29/332,590**

(22) Filed: **Feb. 20, 2009**

(51) **LOC (9) Cl.** ..... **07-01**

(52) **U.S. Cl.** ..... **D7/509; D7/534; D7/536**

(58) **Field of Classification Search** ..... D7/509,  
D7/510, 523, 511, 392.1, 900, 608, 533, 536,  
D7/507, 534; 215/11.6, 387, DIG. 7; 220/703,  
220/713, 592.16, 592.17; D9/516, 519, 542,  
D9/549; D24/197; D34/1

See application file for complete search history.

(56) **References Cited**

**U.S. PATENT DOCUMENTS**

- D257,524 S \* 11/1980 Heinrich ..... D7/536
- D299,688 S \* 2/1989 Chung ..... D7/536
- D305,193 S \* 12/1989 Sajadieh ..... D7/509
- 4,974,741 A \* 12/1990 Gustafson et al. .... 220/739
- 5,249,703 A \* 10/1993 Karp ..... 220/719
- D365,499 S \* 12/1995 Welker ..... D7/509
- D441,160 S \* 4/2001 Lin ..... D34/7

- D497,079 S \* 10/2004 Paggio ..... D7/507
- D516,381 S \* 3/2006 Davies et al. .... D7/536
- D531,456 S \* 11/2006 Davies et al. .... D7/536
- D540,620 S \* 4/2007 Bushkovsky ..... D7/509

\* cited by examiner

*Primary Examiner*—Marriane Pandozzi  
(74) *Attorney, Agent, or Firm*—Arent Fox LLP

(57) **CLAIM**

The ornamental design for a cup, as shown and described.

**DESCRIPTION**

FIG. 1 is a front view of a cup according to the present invention;

FIG. 2 is a back view thereof;

FIG. 3 is a right side view thereof;

FIG. 4 is a left side view thereof;

FIG. 5 is a top plan view thereof;

FIG. 6 is a bottom view thereof;

FIG. 7 is a first perspective view thereof; and,

FIG. 8 is a second perspective view thereof.

The broken lines shown in figures are for illustrative purposes only and form no part of the claimed design.

**1 Claim, 4 Drawing Sheets**

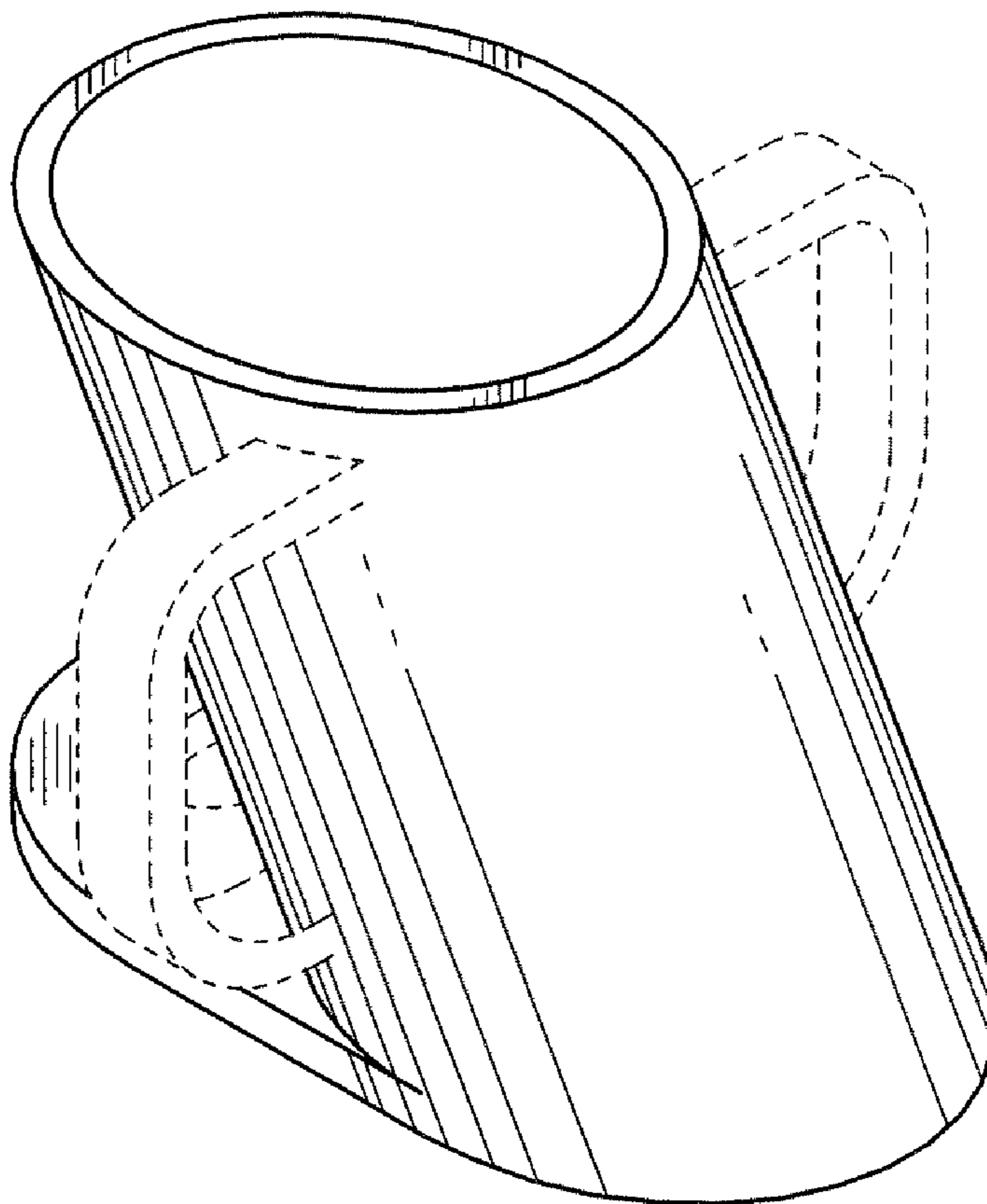


FIG. 1

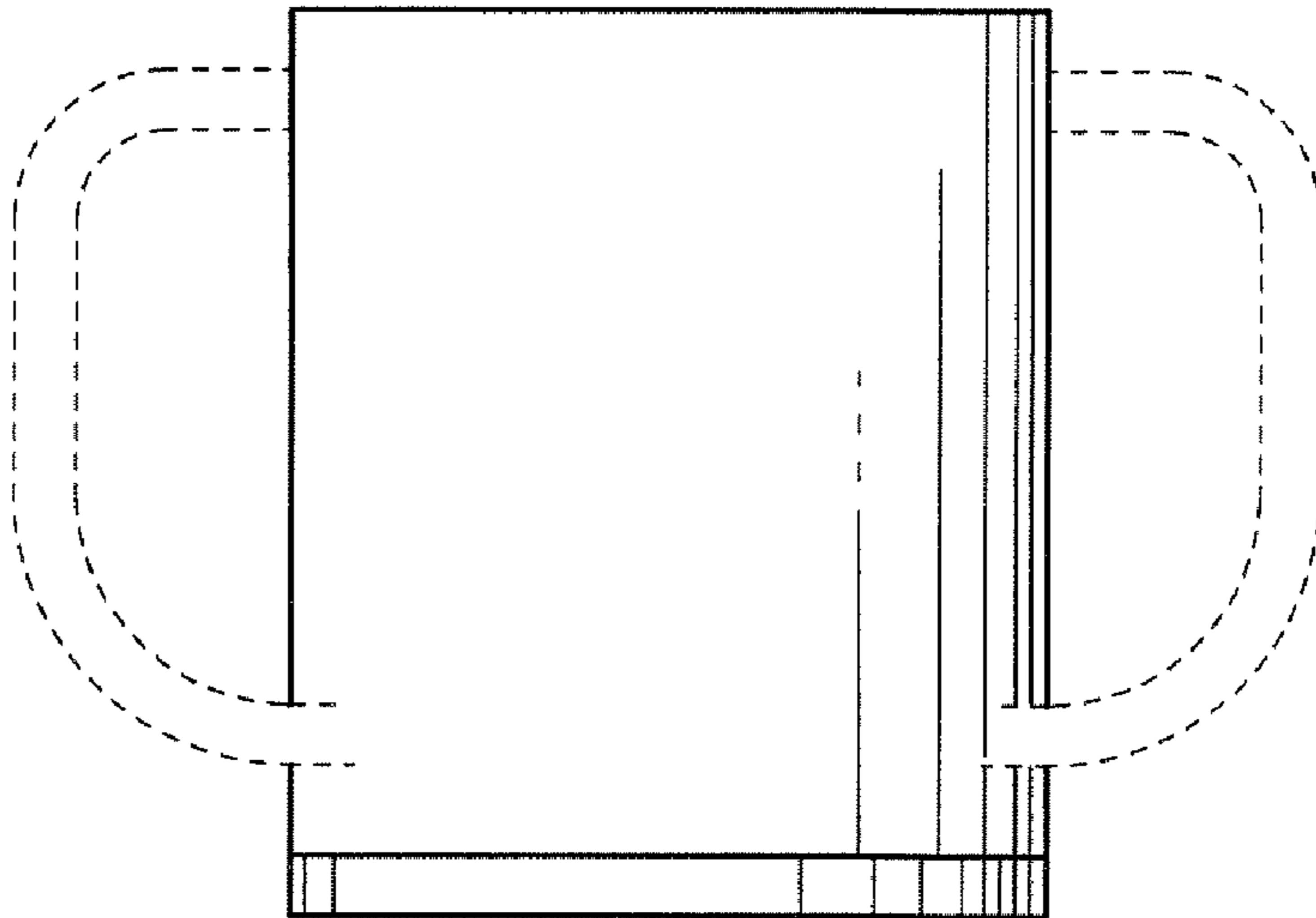


FIG. 2

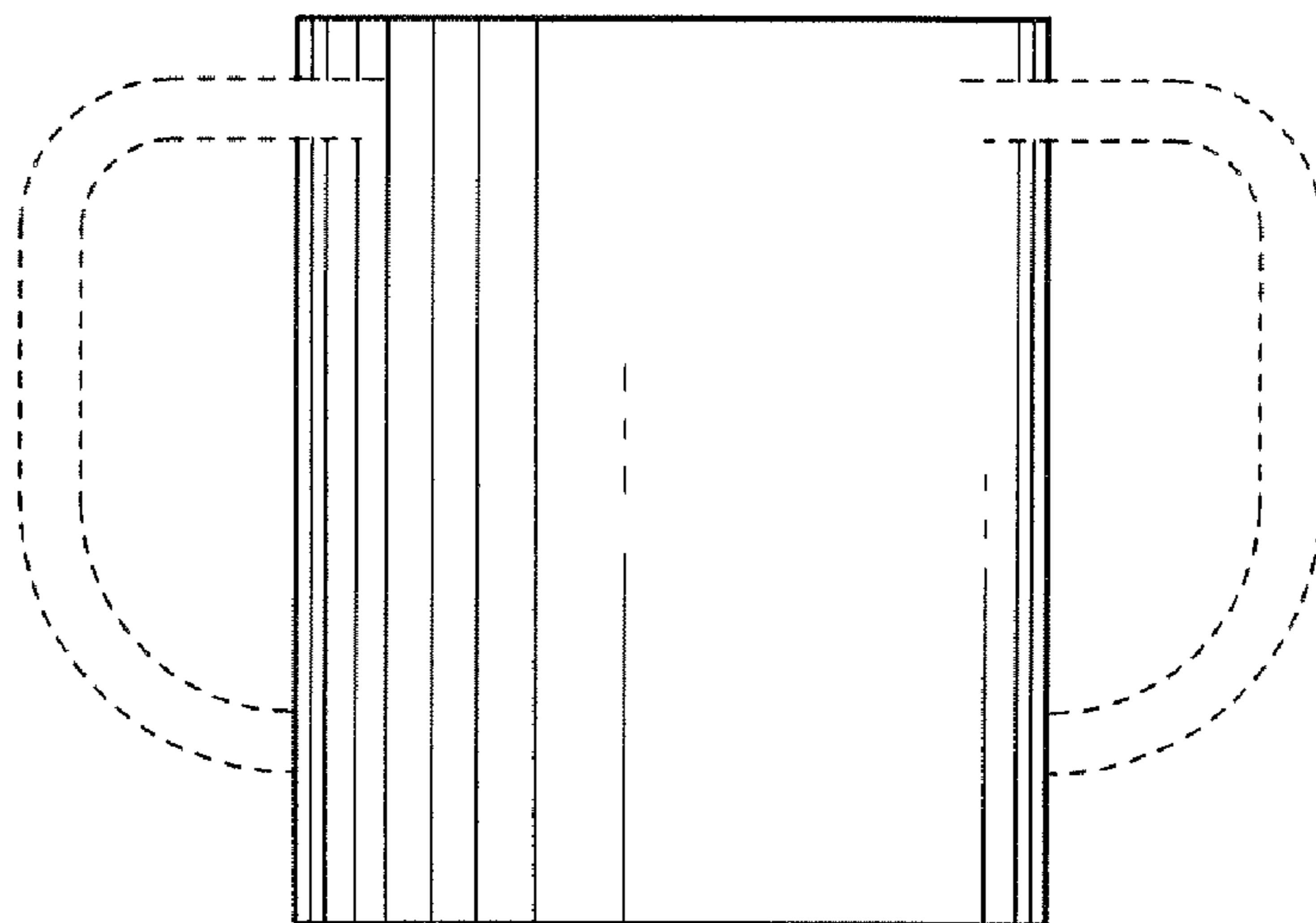


FIG.3

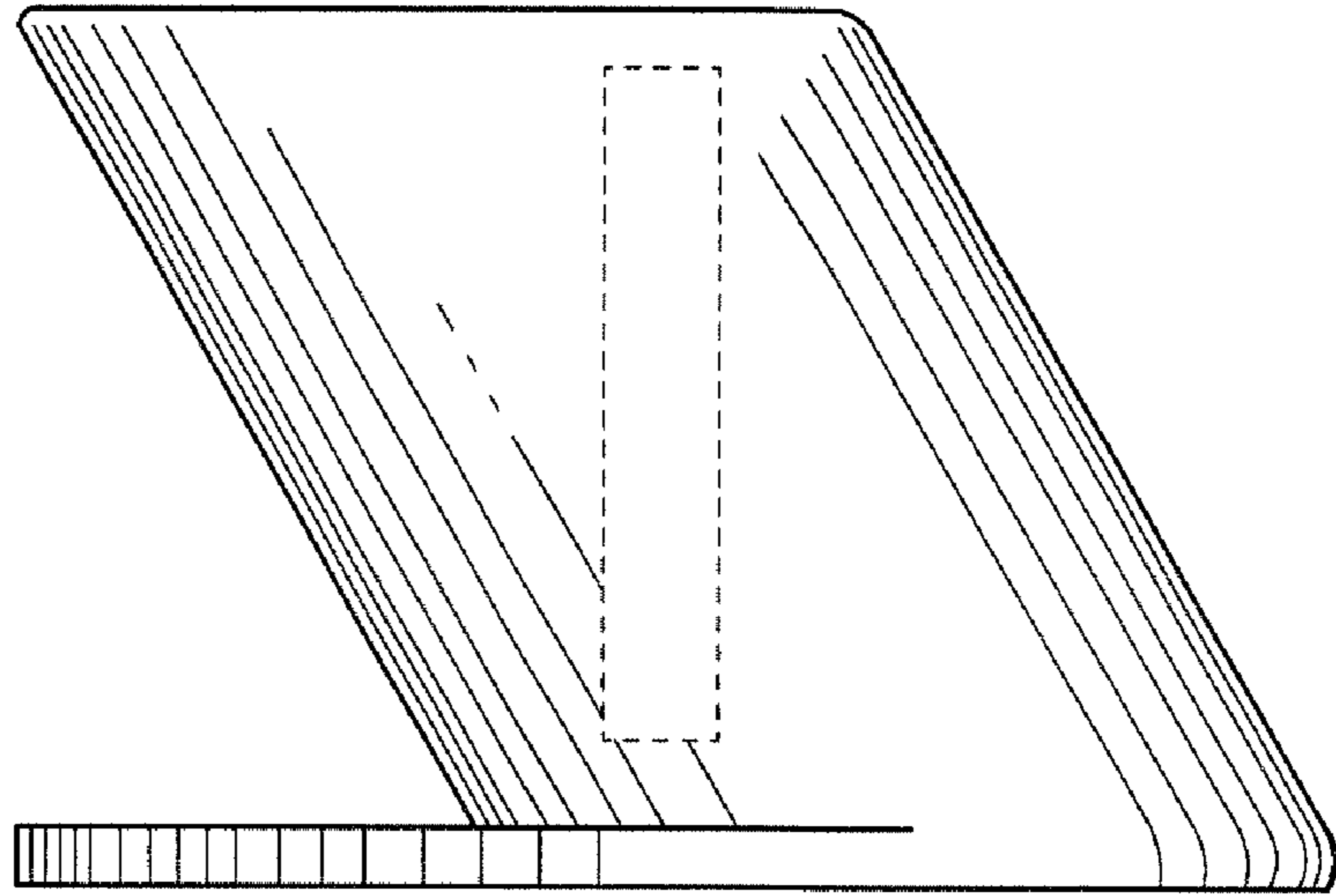


FIG.4

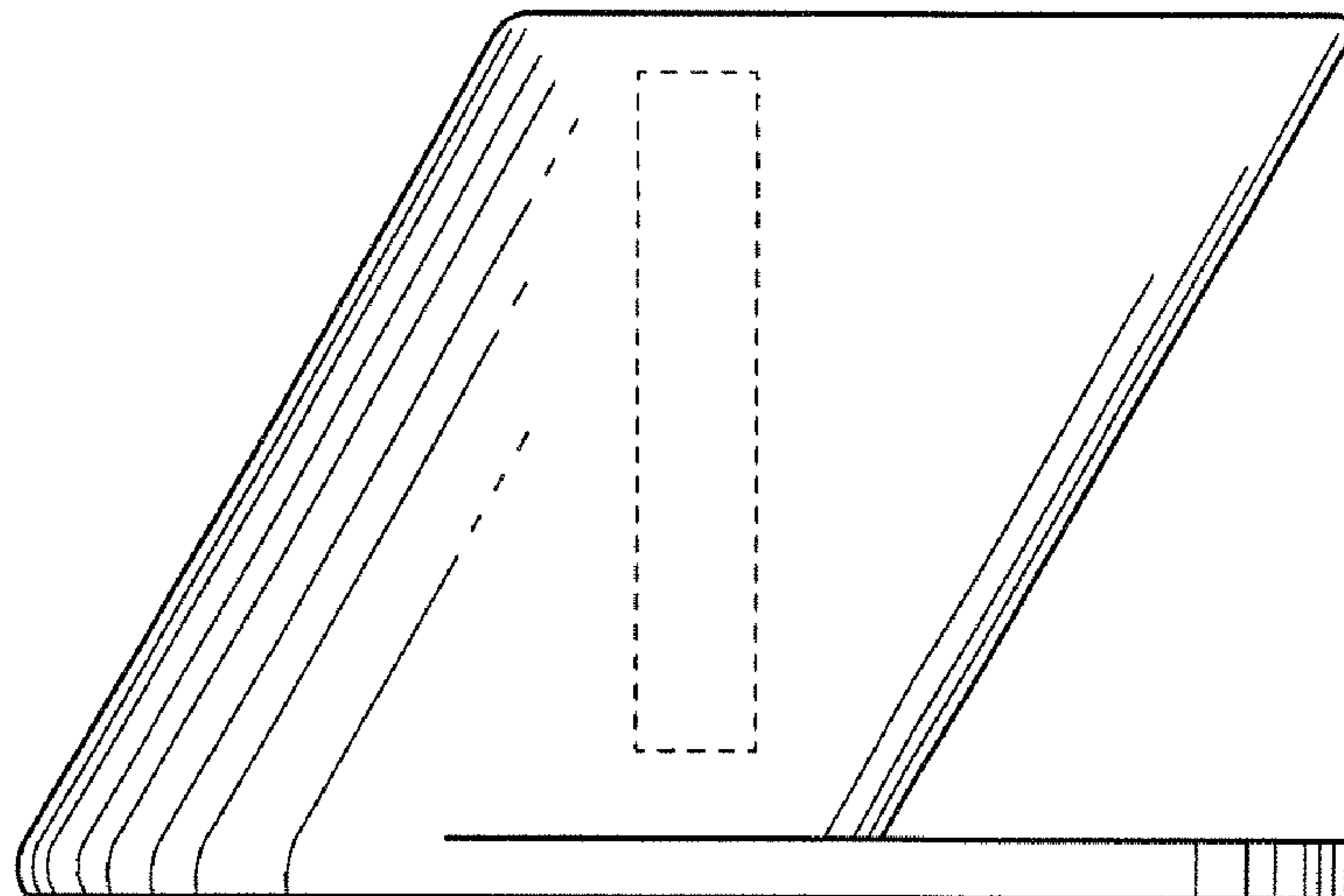


FIG.5

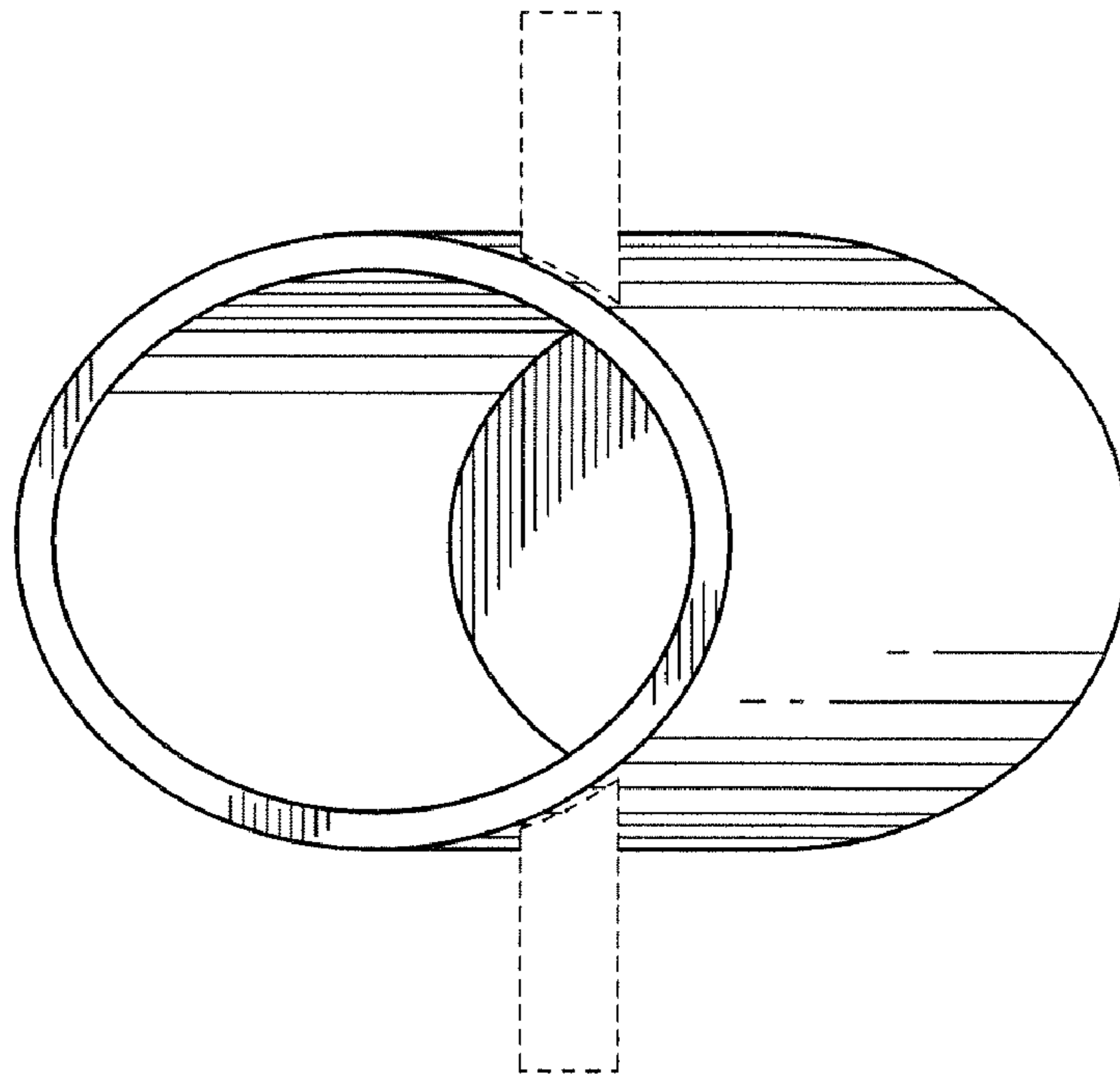


FIG.6

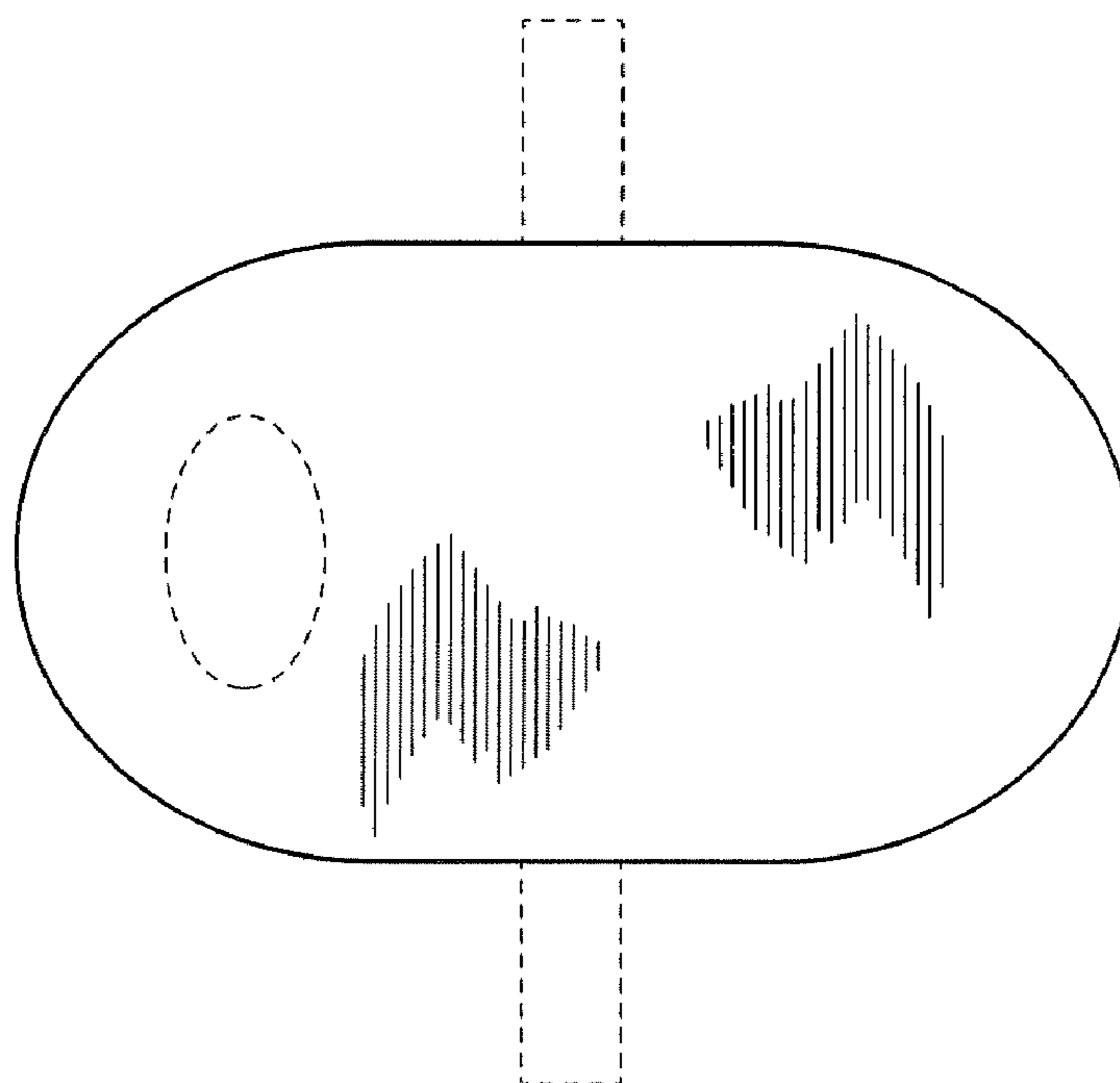


FIG. 7

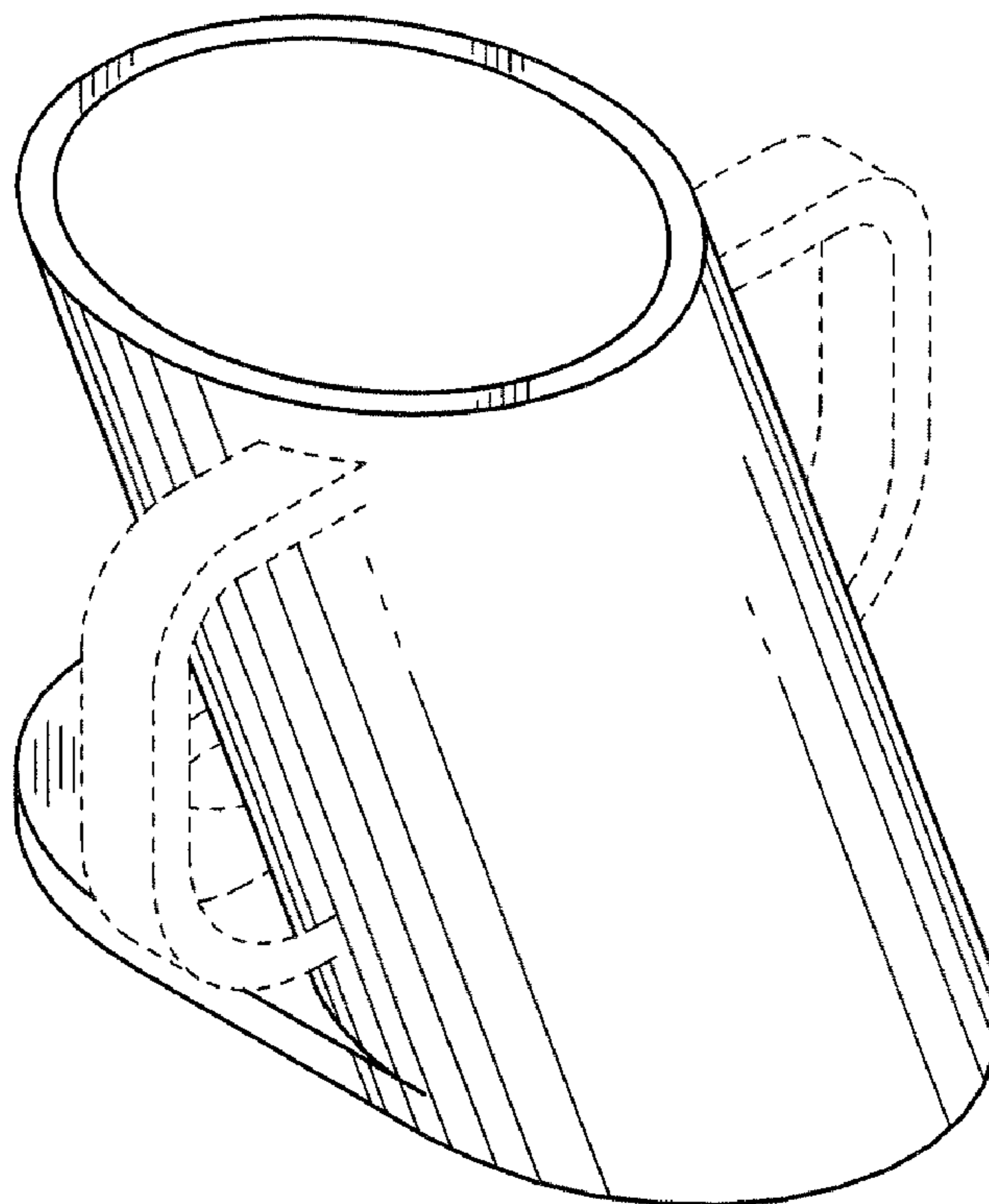


FIG. 8

