



US00D611299S

(12) **United States Design Patent**  
**Woycik**

(10) **Patent No.:** **US D611,299 S**  
(45) **Date of Patent:** **\*\* Mar. 9, 2010**

(54) **VARIABLE HEIGHT GRILL TOP SUPPORT**

(76) **Inventor:** **Mark Woycik**, 2283 S. Beech Way,  
Lakewood, CO (US) 80228

(\*\*) **Term:** **14 Years**

(21) **Appl. No.:** **29/313,180**

(22) **Filed:** **Dec. 15, 2008**

**Related U.S. Application Data**

(63) Continuation of application No. 29/308,136, filed on  
May 30, 2008, now abandoned.

(51) **LOC (9) Cl.** ..... **07-02**

(52) **U.S. Cl.** ..... **D7/402**

(58) **Field of Classification Search** ..... D7/332,  
D7/334-337, 402-405, 407; 126/25 R, 29-30,  
126/25 A, 25 AA, 9 R, 38, 37 R, 41 R, 40,  
126/39 E, 39 H, 50, 276, 268, 519, 506, 215,  
126/192; 99/481-482, 646 R; 248/351,  
248/354.1, 354.3, 354.5, 354.6, 121; 292/338;  
D8/373, 380

See application file for complete search history.

(56) **References Cited**

**U.S. PATENT DOCUMENTS**

4,584,984 A \* 4/1986 Croft ..... 126/25 R  
D291,648 S \* 9/1987 Pring ..... D7/403  
D301,673 S \* 6/1989 Ogden ..... D7/402  
4,895,130 A \* 1/1990 Staschke ..... 126/25 R

D317,239 S \* 6/1991 Croft ..... D7/402  
D396,169 S \* 7/1998 Williamson ..... D7/402  
D422,178 S \* 4/2000 Persson ..... D7/403  
6,176,232 B1 \* 1/2001 Corcoran ..... 126/25 R  
6,705,306 B1 \* 3/2004 Dickey ..... 126/25 R  
6,922,033 B2 \* 7/2005 Ziegenhorn et al. .... 318/445  
2004/0094141 A1 \* 5/2004 Herring ..... 126/25 R  
2007/0044785 A1 \* 3/2007 Malafouris ..... 126/25 R  
2008/0272263 A1 \* 11/2008 Macken ..... 248/351

\* cited by examiner

*Primary Examiner*—Ruth McInroy

(74) *Attorney, Agent, or Firm*—Scott L. Terrell, P.C.; Scott L.  
Terrell

(57) **CLAIM**

The ornamental design for a variable height grill top support,  
as shown, and described.

**DESCRIPTION**

FIG. 1 is a perspective view of the variable height grill top support.

FIG. 2 is a top view of the variable height grill top support.

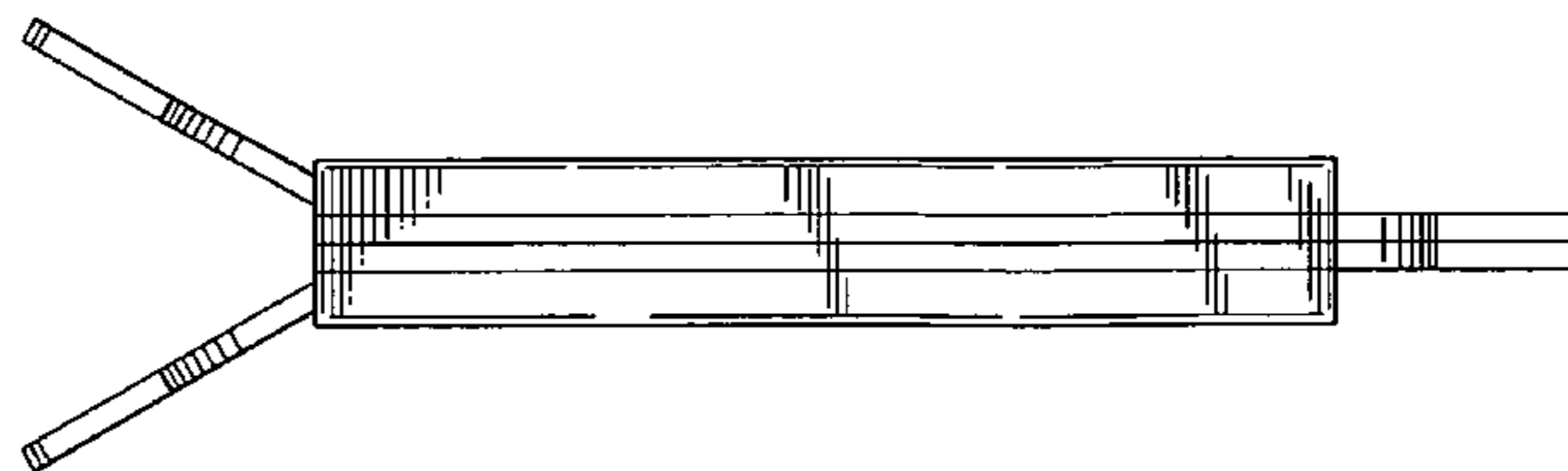
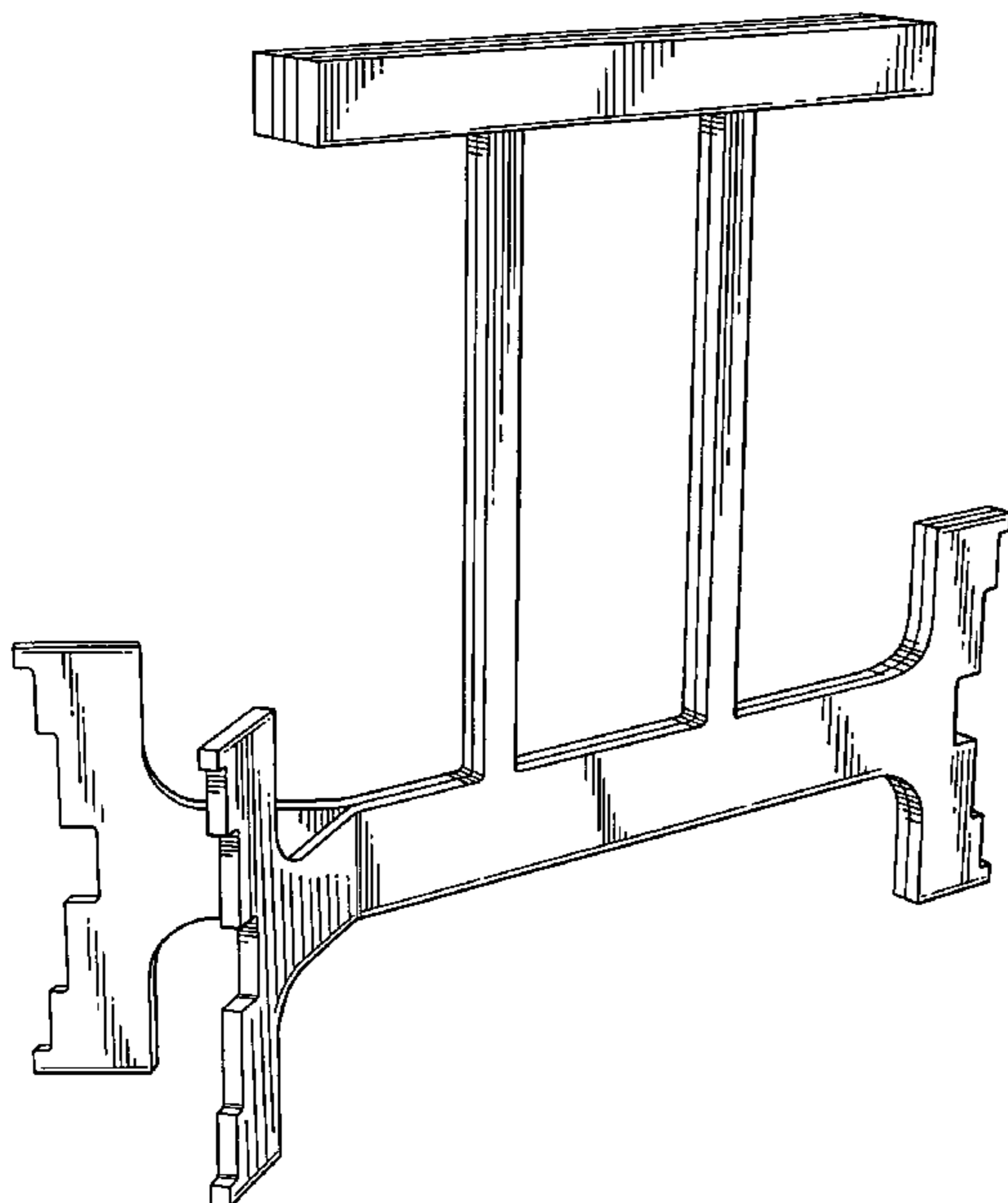
FIG. 3 is a bottom view of the variable height grill top support.

FIG. 4 is a side view of the variable height grill top support.

FIG. 5 is a back view of the variable height grill top support;  
and,

FIG. 6 is a front view of the variable height grill top support.

**1 Claim, 3 Drawing Sheets**



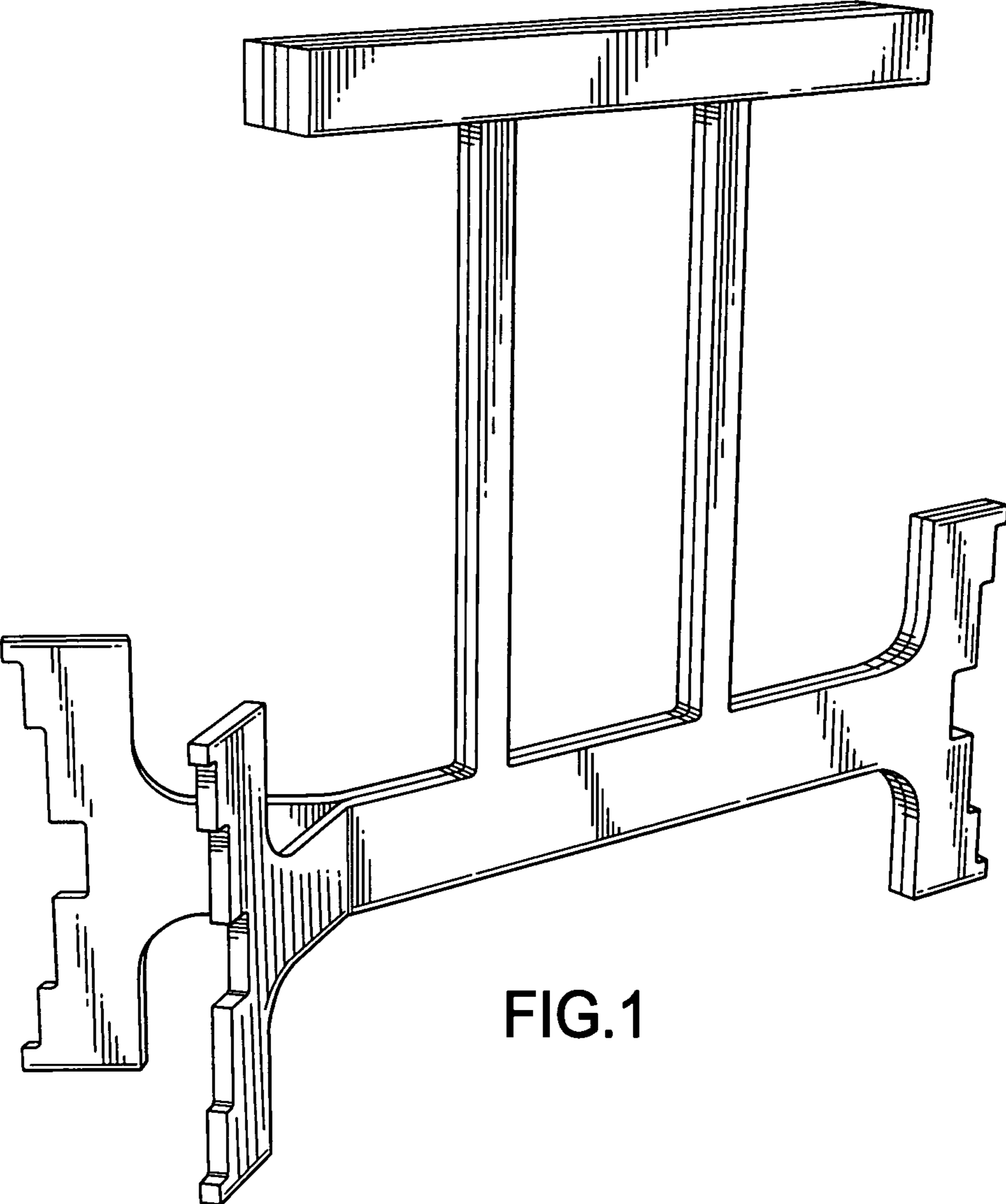


FIG. 1

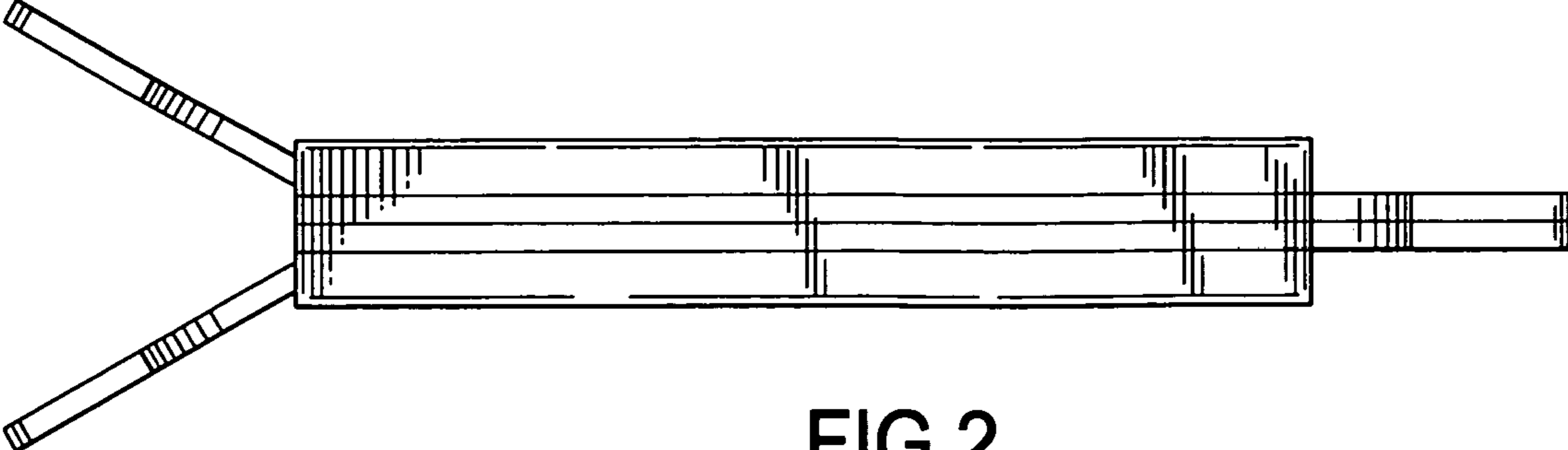


FIG. 2

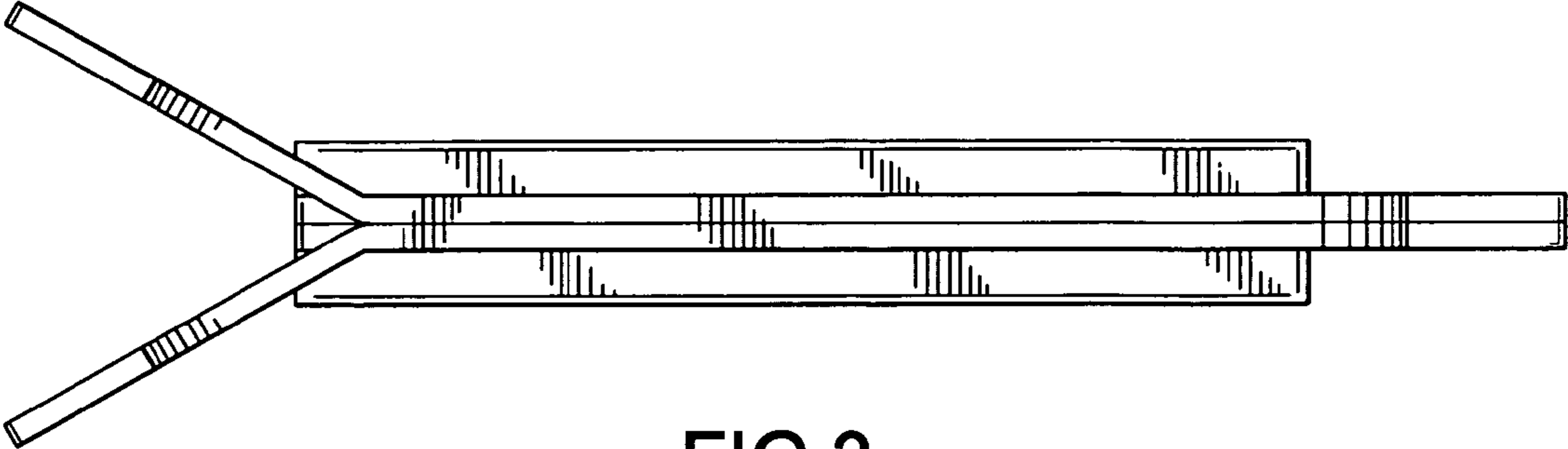


FIG.3

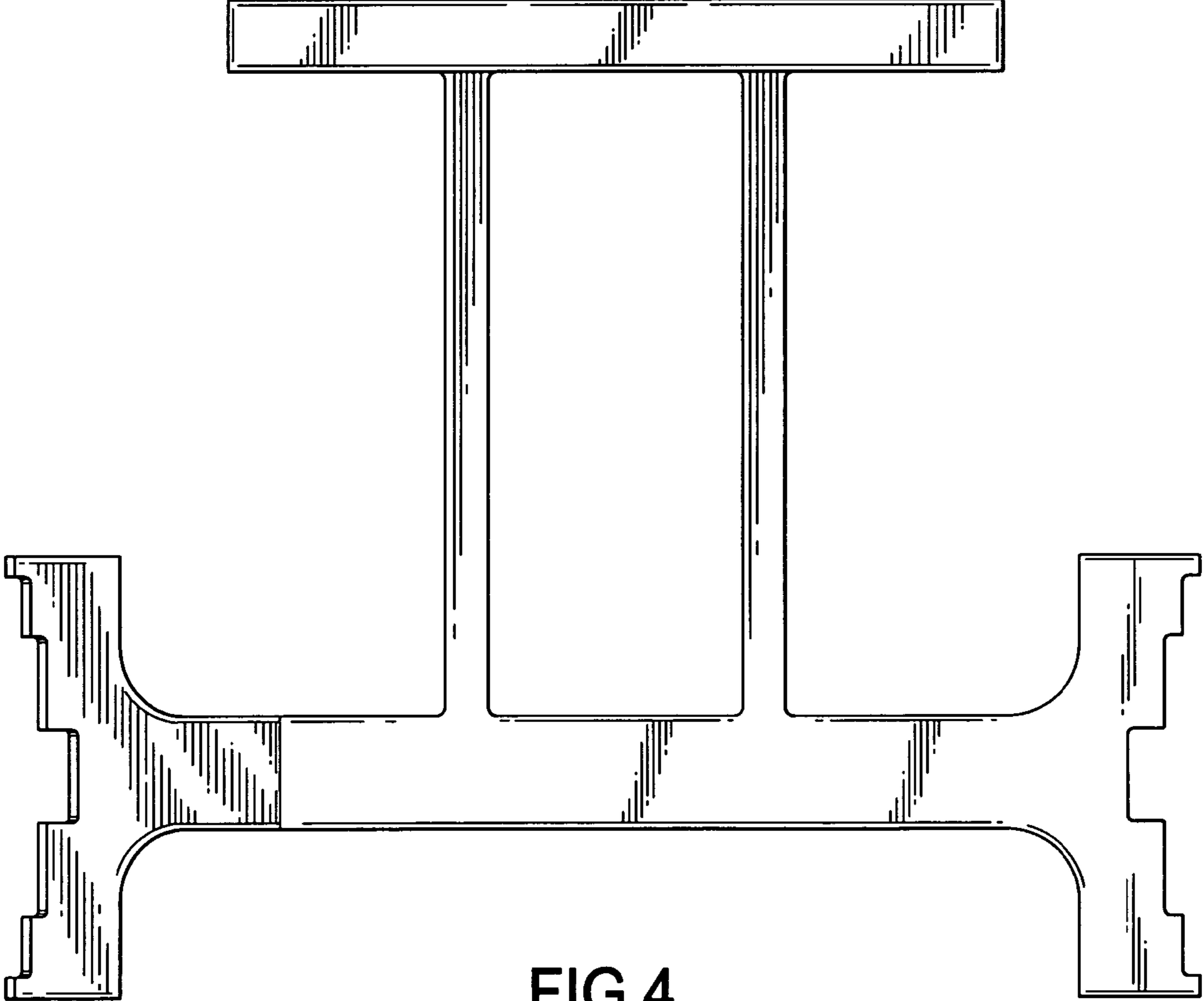


FIG.4

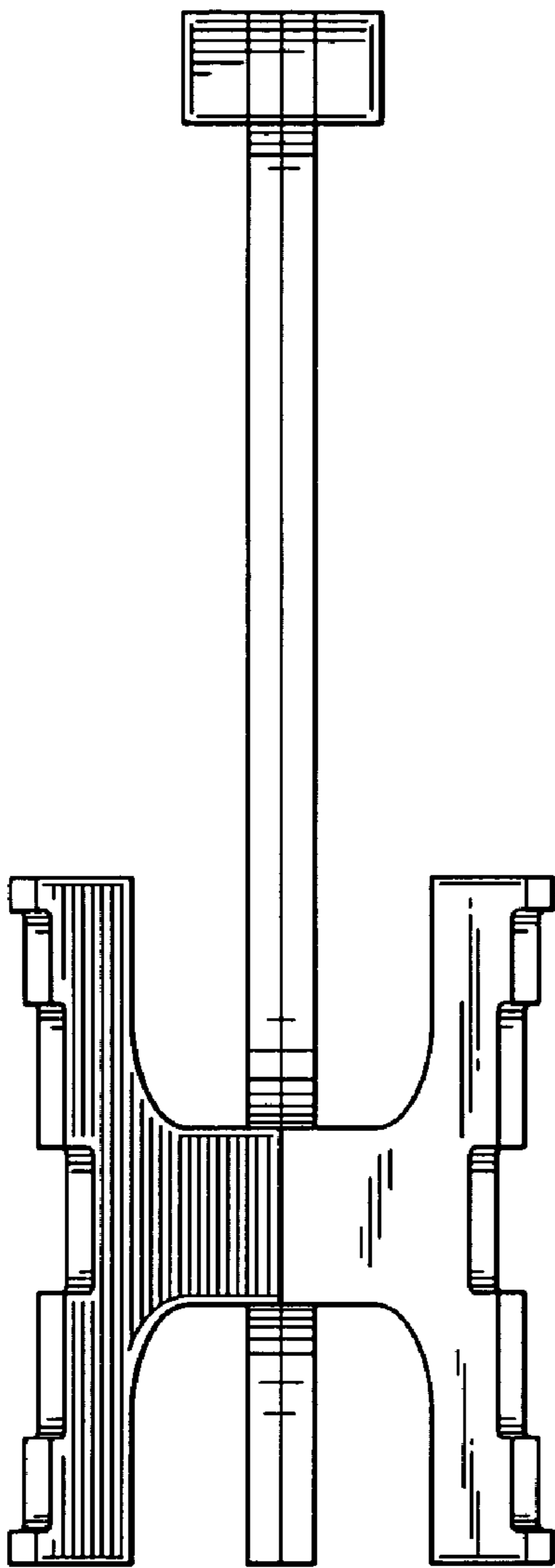


FIG.5

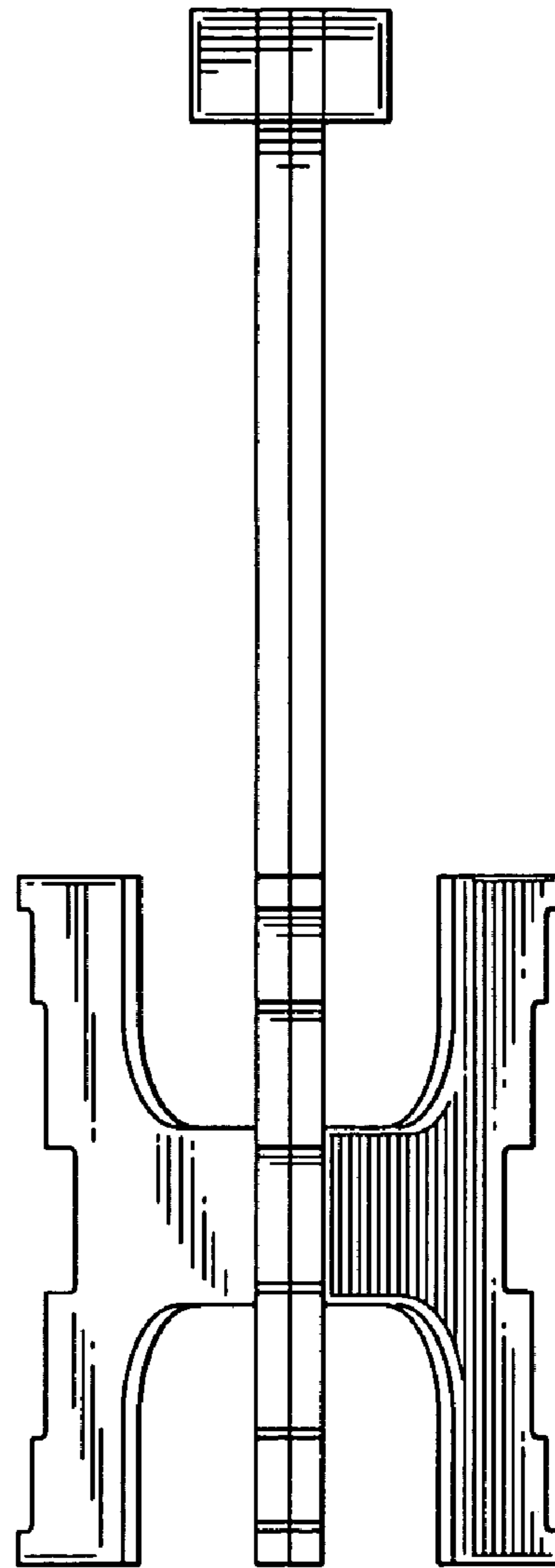


FIG.6