



US00D611296S

(12) **United States Design Patent**
Ingman et al.

(10) **Patent No.:** **US D611,296 S**
(45) **Date of Patent:** **** Mar. 9, 2010**

(54) **LID FOR SLUSH BEVERAGE CONTAINER**

(75) Inventors: **Simon John Ingman**, Tewkesbury (GB);
Simon Needle, Rickmansworth (GB);
Scott Winston, Welwyn Garden (GB);
Richard Paul Harbutt, Rowly (GB);
James Garfield Pryor, Slough (GB);
Sylvia Farrow, Newbury (GB)

(73) Assignee: **Diageo Great Britain Limited** (GB)

(**) Term: **14 Years**

(21) Appl. No.: **29/328,024**

(22) Filed: **Nov. 18, 2008**

(30) **Foreign Application Priority Data**

May 27, 2008 (EM) 000941000-0002

(51) **LOC (9) Cl.** **07-02**

(52) **U.S. Cl.** **D7/392.1**

(58) **Field of Classification Search** D7/510,
D7/511, 638, 392, 392.1, 396.1, 396.2; D9/435,
D9/438, 439, 445, 447, 449, 452-454, 510,
D9/709, 715, 718, 781; 220/212, 254.9,
220/270, 271, 345.1, 547, 575, 708; 215/254,
215/388; 222/547

See application file for complete search history.

(56) **References Cited**

U.S. PATENT DOCUMENTS

D96,091 S * 7/1935 Chernoff D7/300.1
D164,006 S * 7/1951 Laird et al. D7/392
D223,812 S * 6/1972 Long D9/453
D291,523 S * 8/1987 Minuti D7/300.1

5,277,324 A * 1/1994 Cash 220/259.4
D409,043 S * 5/1999 Lillelund et al. D7/392
D420,251 S * 2/2000 Brady D7/392.1
D461,679 S * 8/2002 Robinson et al. D7/392.1
D480,599 S * 10/2003 Linz et al. D7/392
D504,066 S * 4/2005 King D9/453
D528,910 S * 9/2006 Kingsley D9/446
D571,151 S * 6/2008 Lopez D7/510
D572,078 S * 7/2008 Bhavnani D7/392.1
D575,580 S * 8/2008 Germany D7/392.1

* cited by examiner

Primary Examiner—Philip S Hyder

Assistant Examiner—Cynthia M Chin

(74) *Attorney, Agent, or Firm*—Brooks Kushman P.C.

(57) **CLAIM**

The ornamental design for a lid for slush beverage container, as shown and described.

DESCRIPTION

FIG. 1 is a perspective view of the slush beverage container lid showing our design.

FIG. 2 is a perspective view of the lid similar to FIG. 1 but shown with its center button depressed.

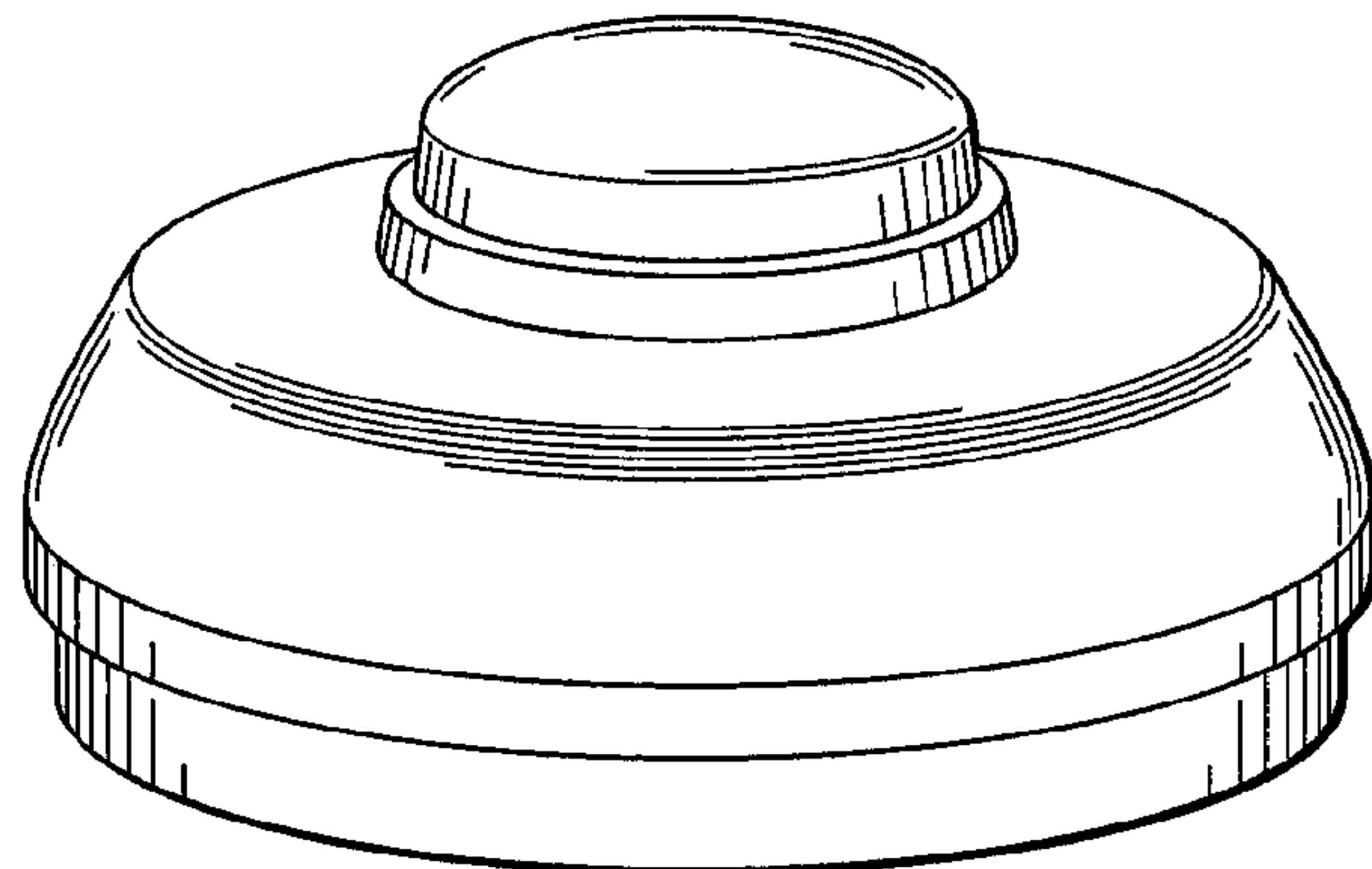
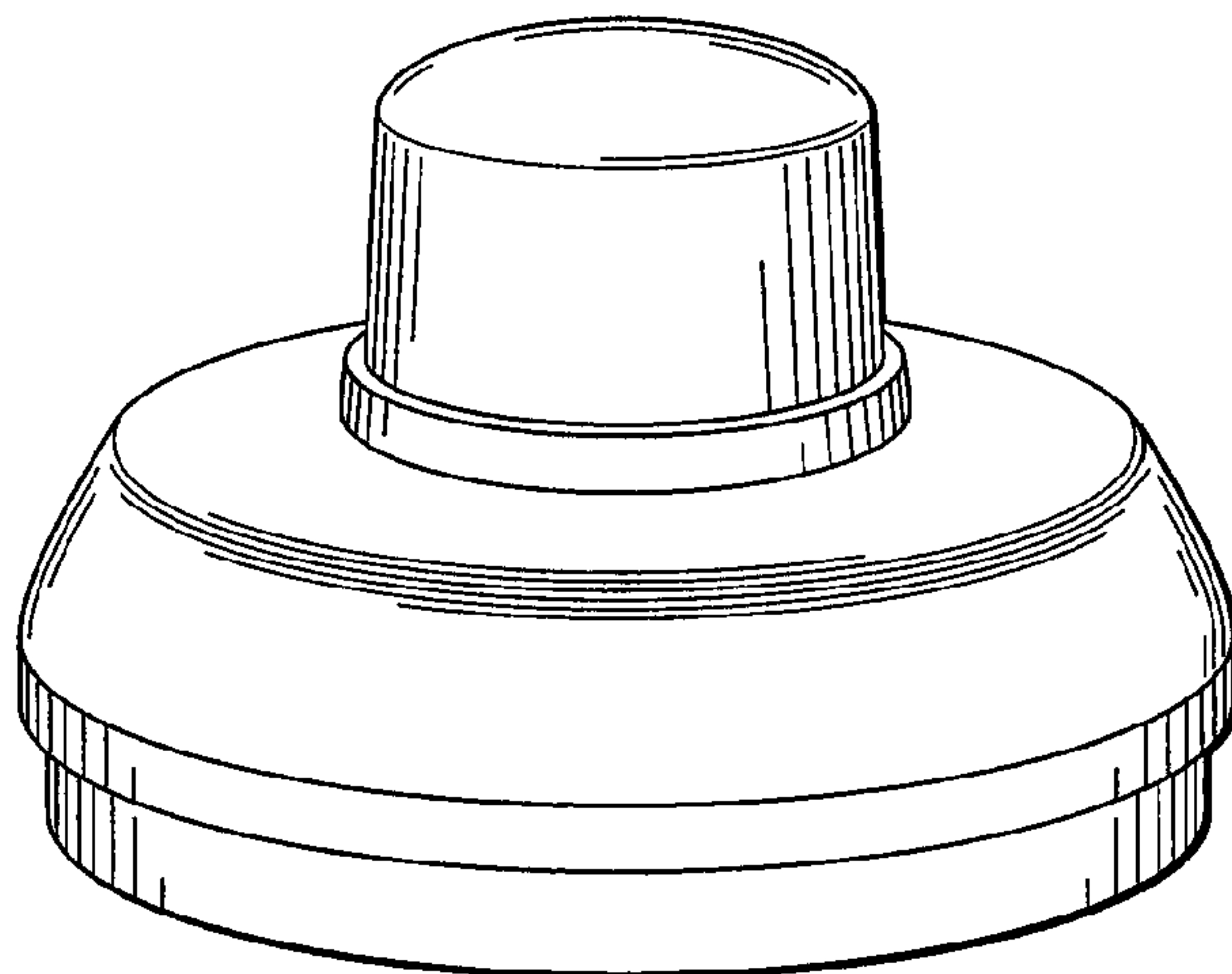
FIG. 3 is a top plan view of the lid.

FIG. 4 is an elevational view of the lid which has the same appearance when viewed from any direction around the lid; and,

FIG. 5 is a perspective view of the lid similar to FIG. 1 but showing in broken lines a container with which the lid is used.

The broken lines are for illustrative purposes only and form no part of the claimed design.

1 Claim, 3 Drawing Sheets



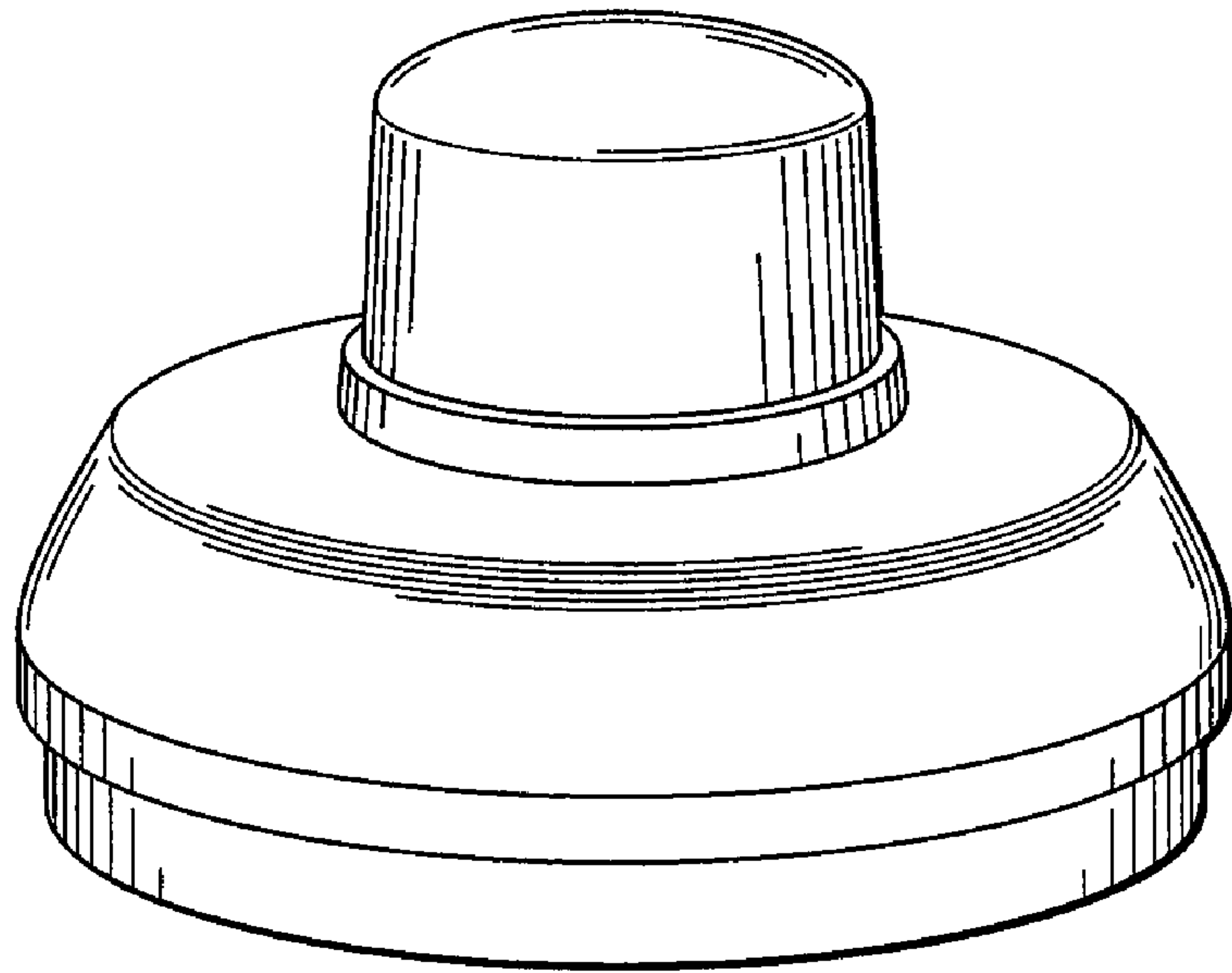


Fig. 1

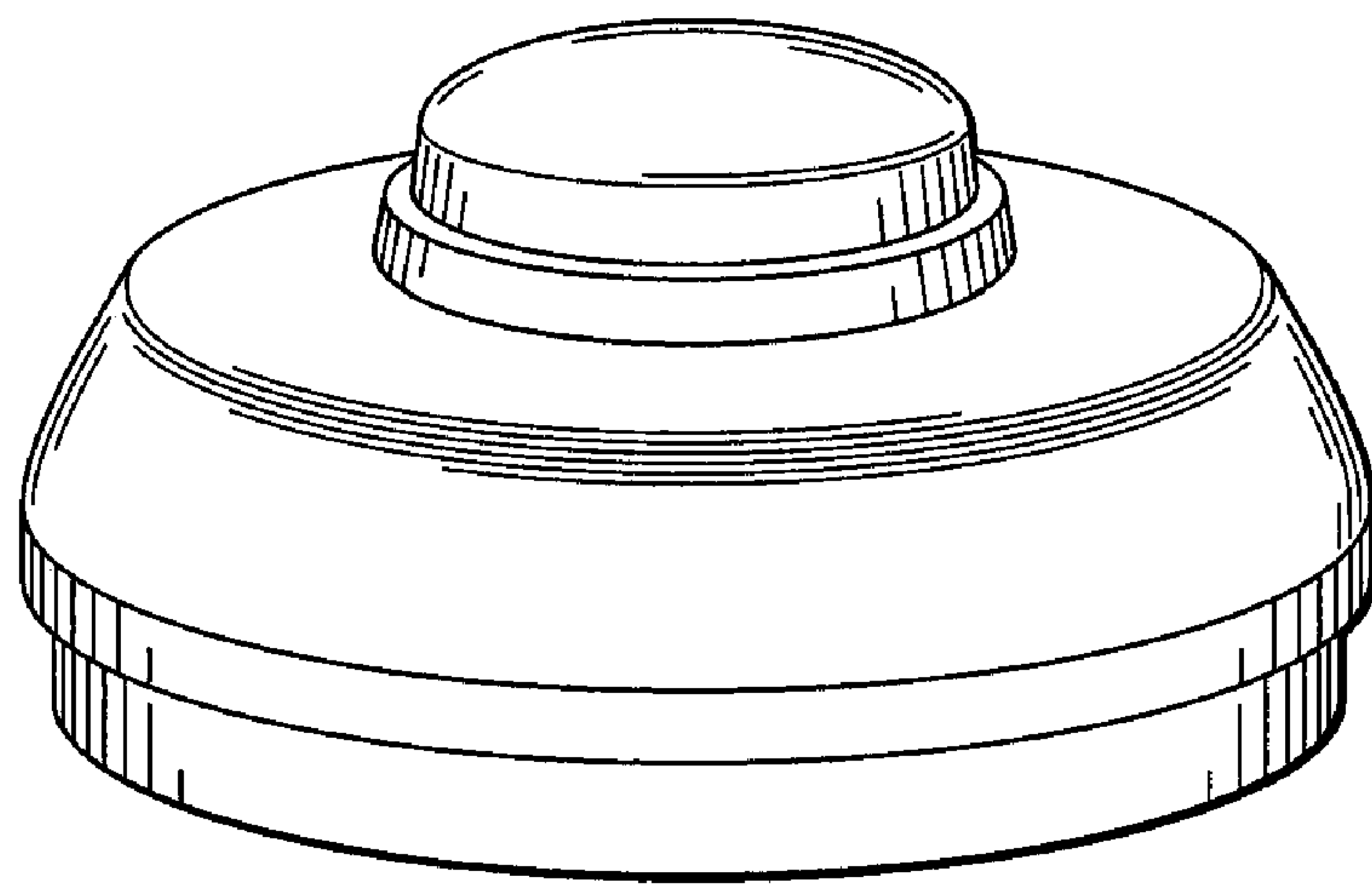


Fig. 2

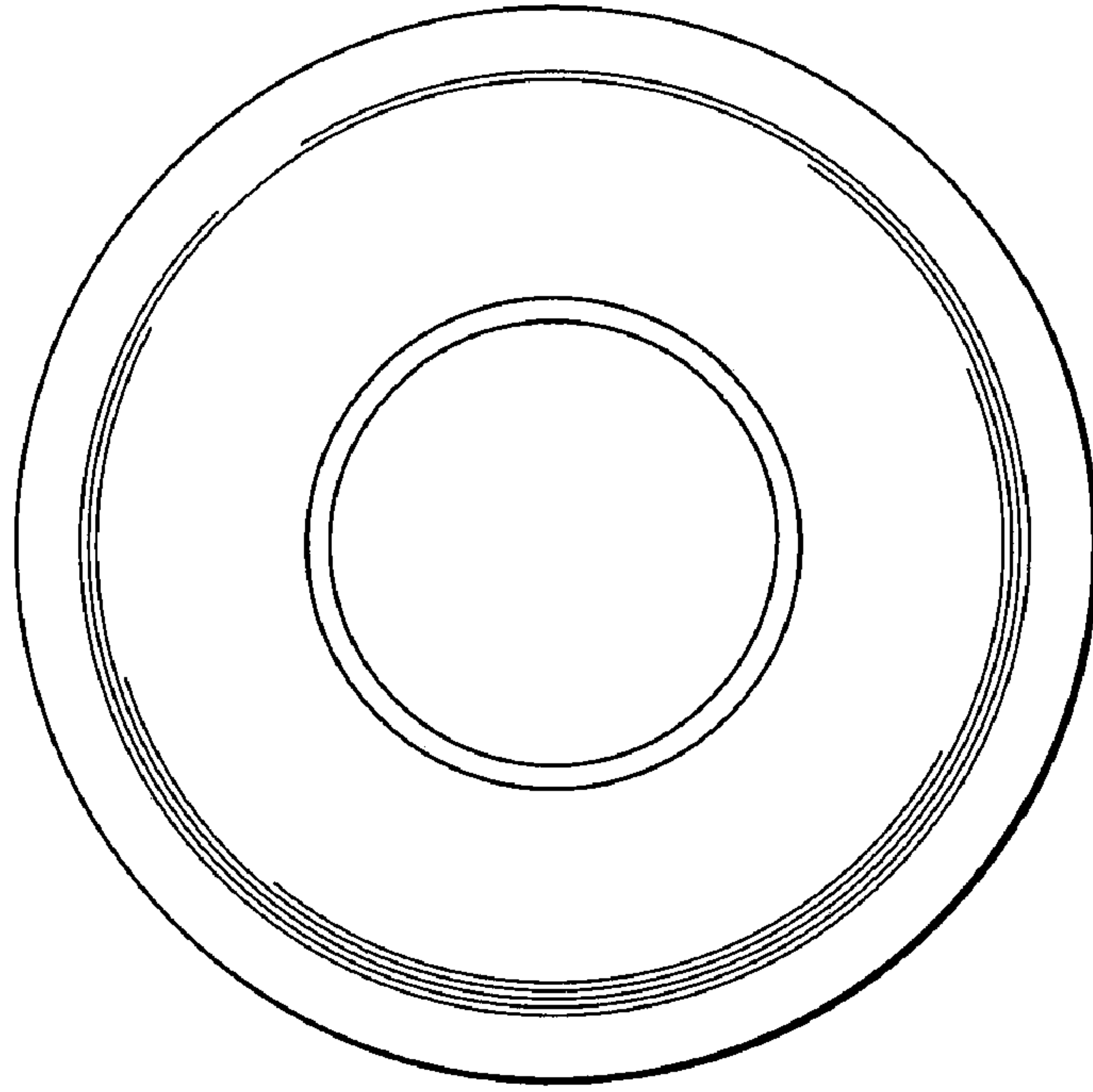


Fig. 3

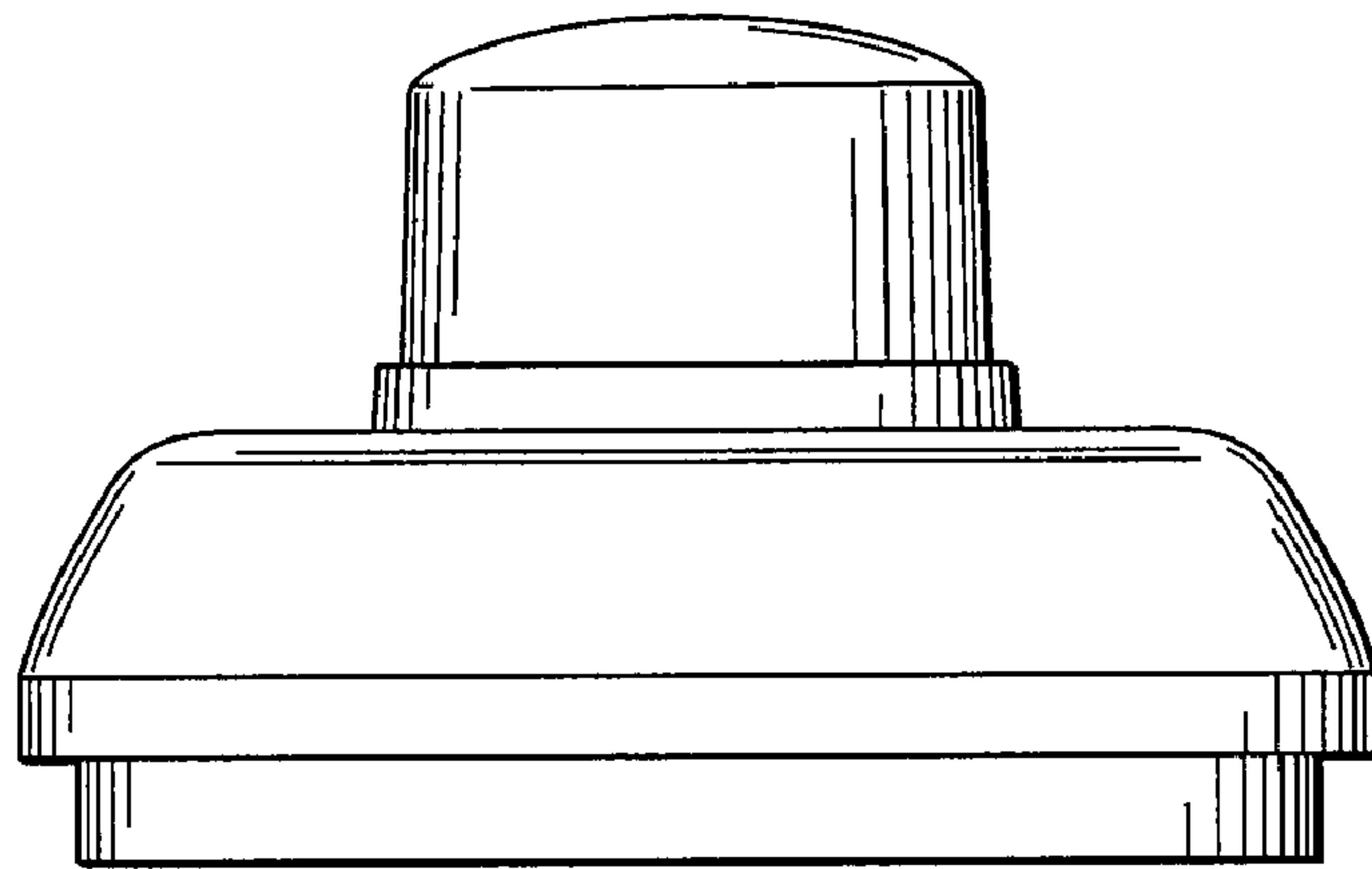


Fig. 4

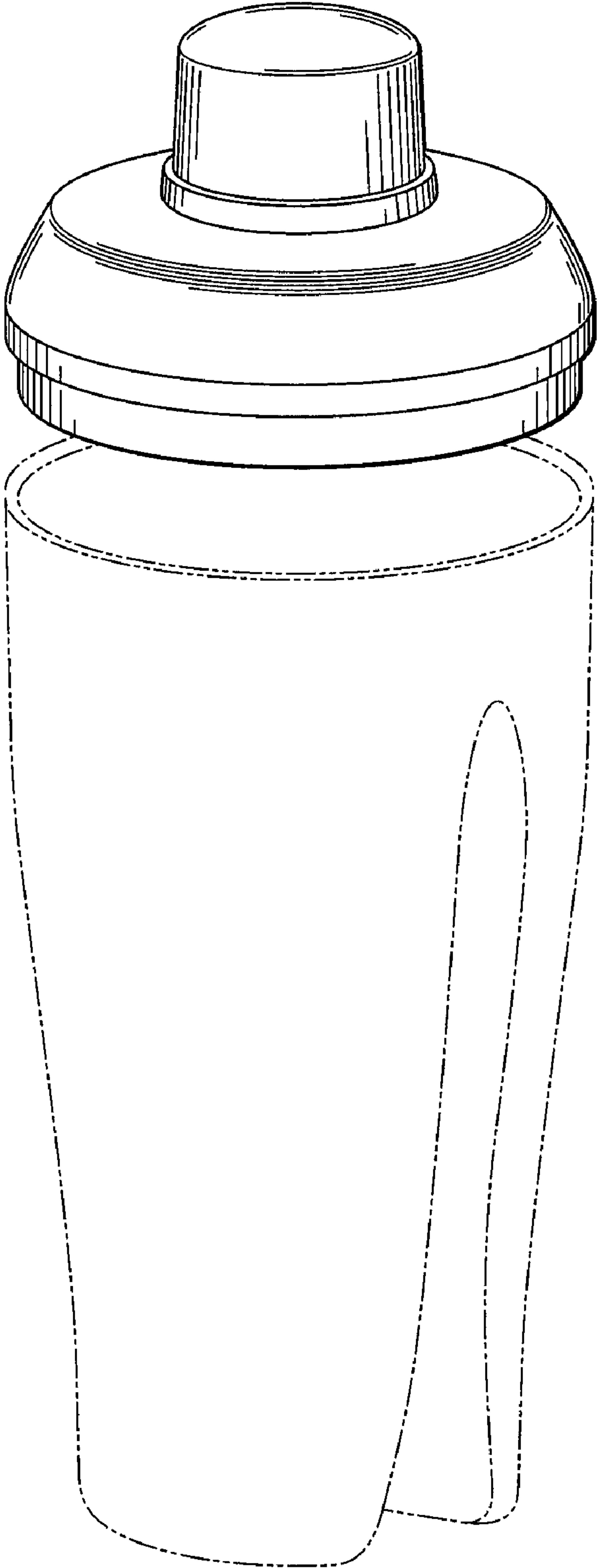


Fig. 5