



US00D611295S

(12) **United States Design Patent**
Wai et al.

(10) **Patent No.:** **US D611,295 S**
(45) **Date of Patent:** **** Mar. 9, 2010**

(54) **FOOD MARINATION DEVICE**

(75) Inventors: **Victor Kingsun Wai**, Sui Lam NT (HK);
John Cammarano, Pompano Beach, FL
(US)

(73) Assignee: **Well Brain Int'l Ltd.**, Kowloon (HK)

(**) Term: **14 Years**

(21) Appl. No.: **29/330,305**

(22) Filed: **Jan. 5, 2009**

(51) **LOC (9) Cl.** **07-04**

(52) **U.S. Cl.** **D7/368**

(58) **Field of Classification Search** D7/368,
D7/669, 629, 693, 682; 99/468, 472, 476,
99/467, 646 C, 535; 452/102, 141, 142,
452/145-147; 141/65, 96, 198, 281
See application file for complete search history.

(56) **References Cited**

U.S. PATENT DOCUMENTS

6,652,251 B1 * 11/2003 Chen 99/472

7,047,875 B1 * 5/2006 Eastman, III 99/468
2003/0085234 A1 * 5/2003 Paumen et al. 99/535

* cited by examiner

Primary Examiner—Terry A Wallace

(74) *Attorney, Agent, or Firm*—Jellett Law PS

(57) **CLAIM**

The ornamental design for a food marination device, as shown and described.

DESCRIPTION

FIG. 1 is a top perspective view of the embodiment of the present design;

FIG. 2 is a bottom perspective view thereof;

FIG. 3 is a top plan view thereof;

FIG. 4 is a bottom plan view thereof;

FIG. 5 is a first side elevation view thereof; and,

FIG. 6 is a second side elevation view thereof.

The dashed lines form no part of the claimed design.

1 Claim, 4 Drawing Sheets



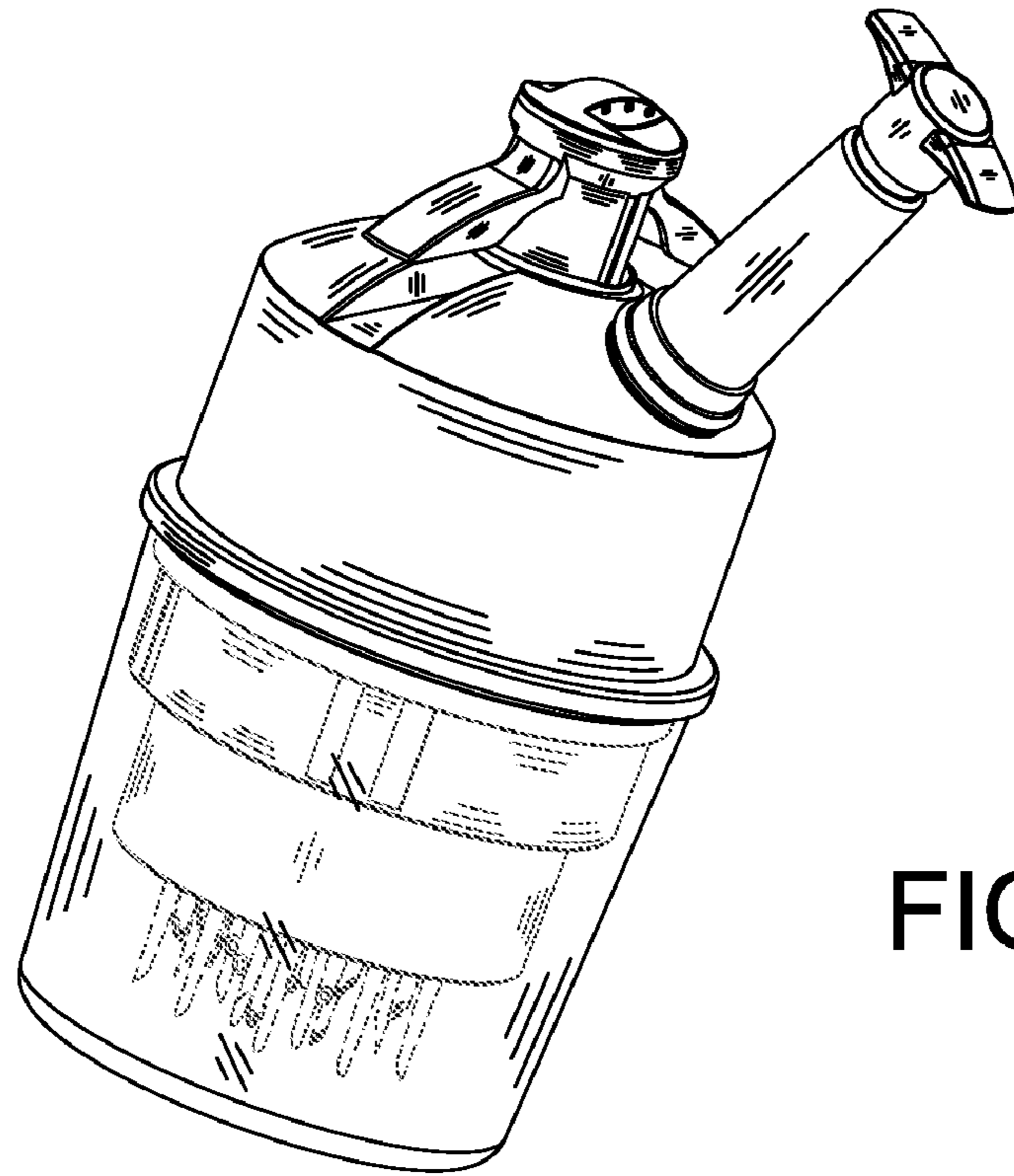


FIG. 1



FIG. 2

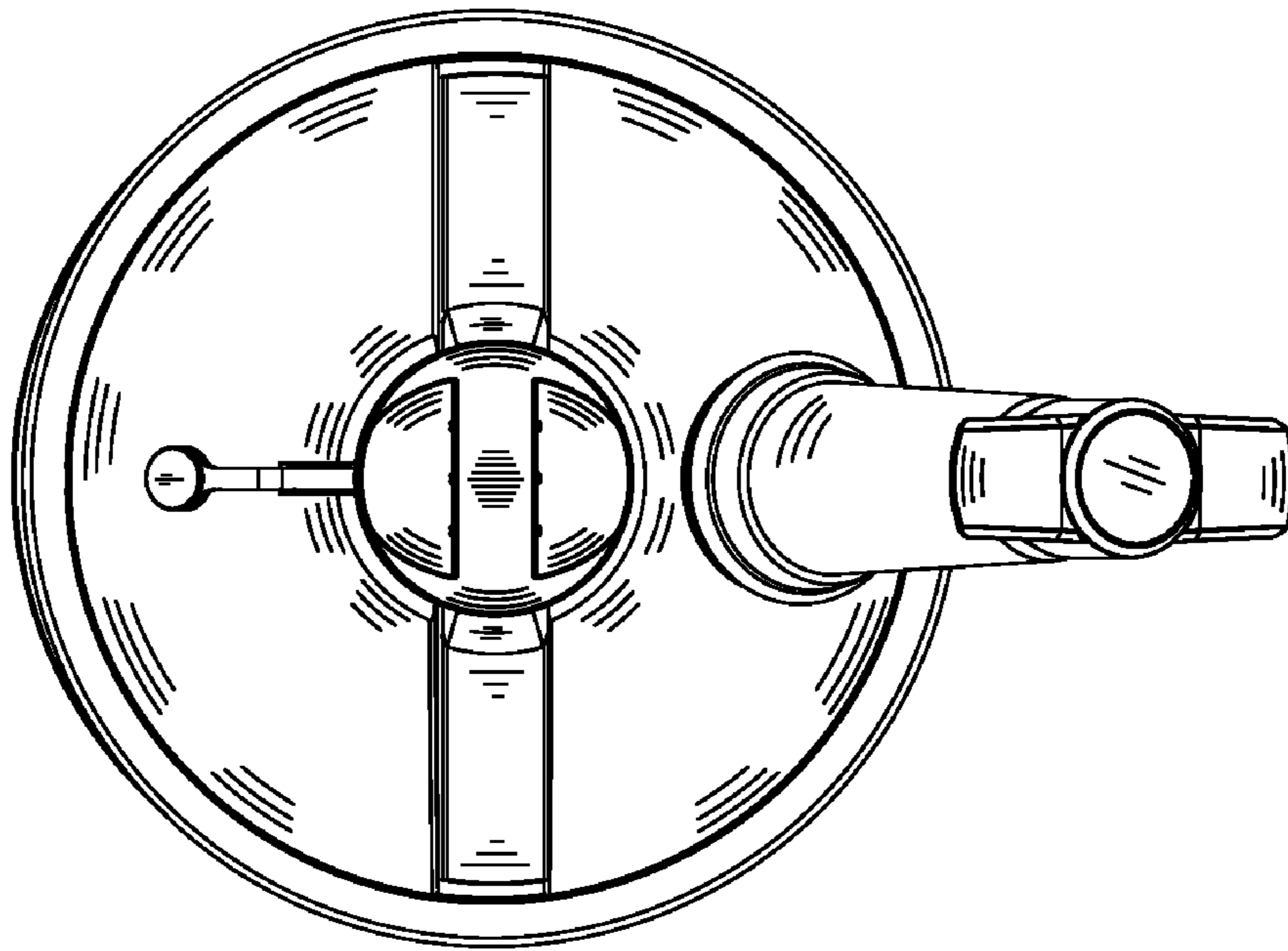


FIG. 3

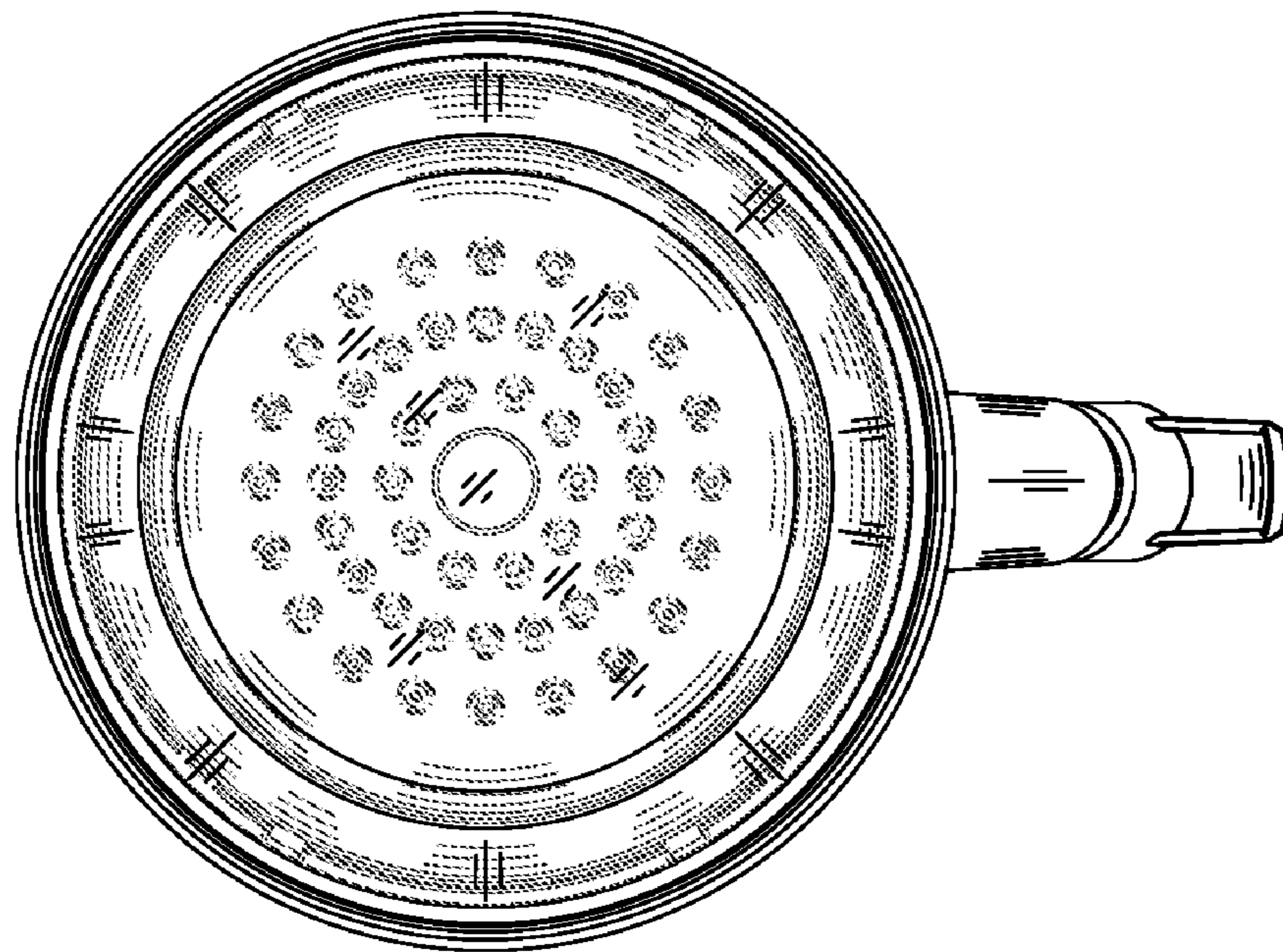


FIG. 4

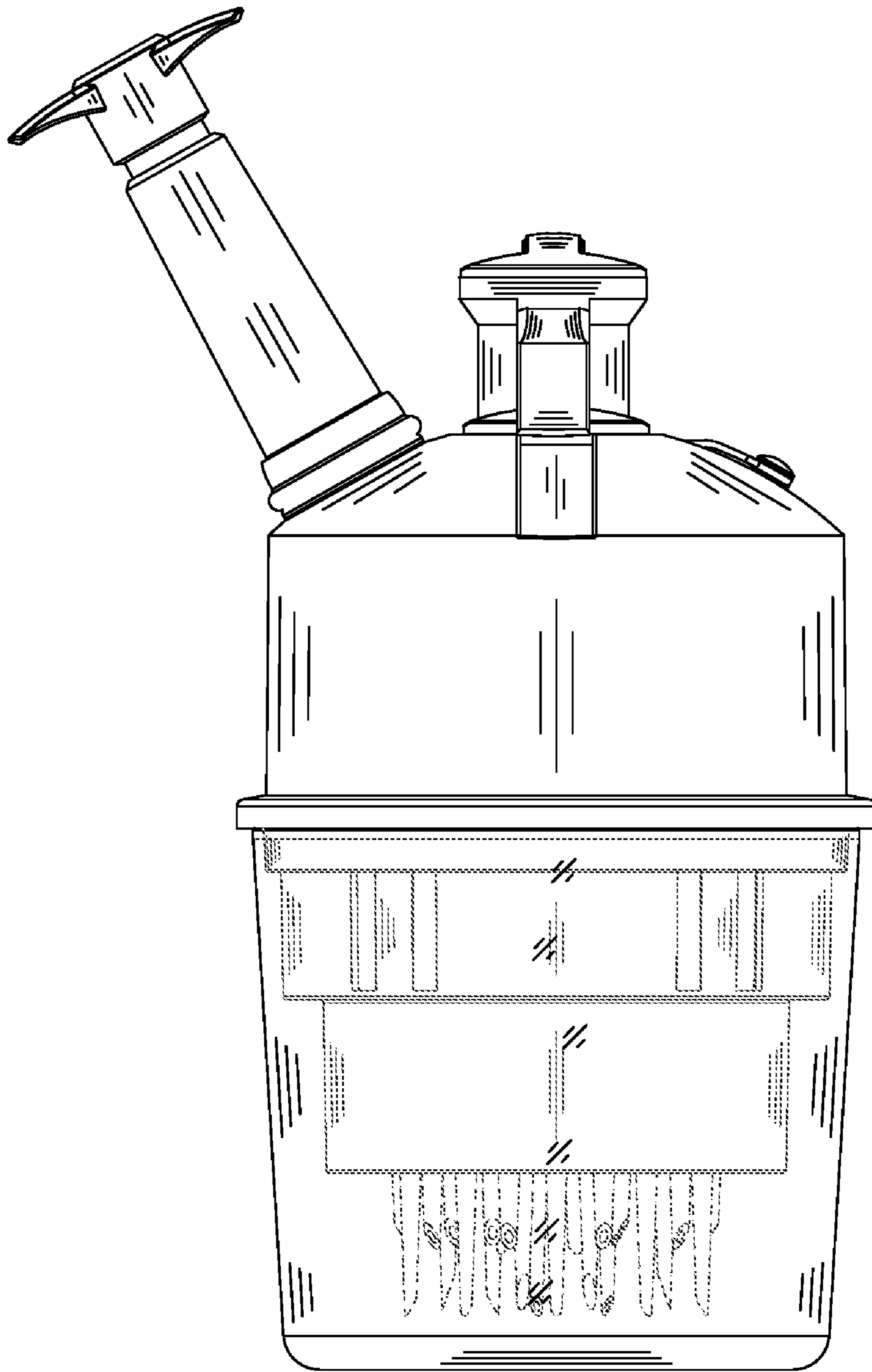


FIG. 5

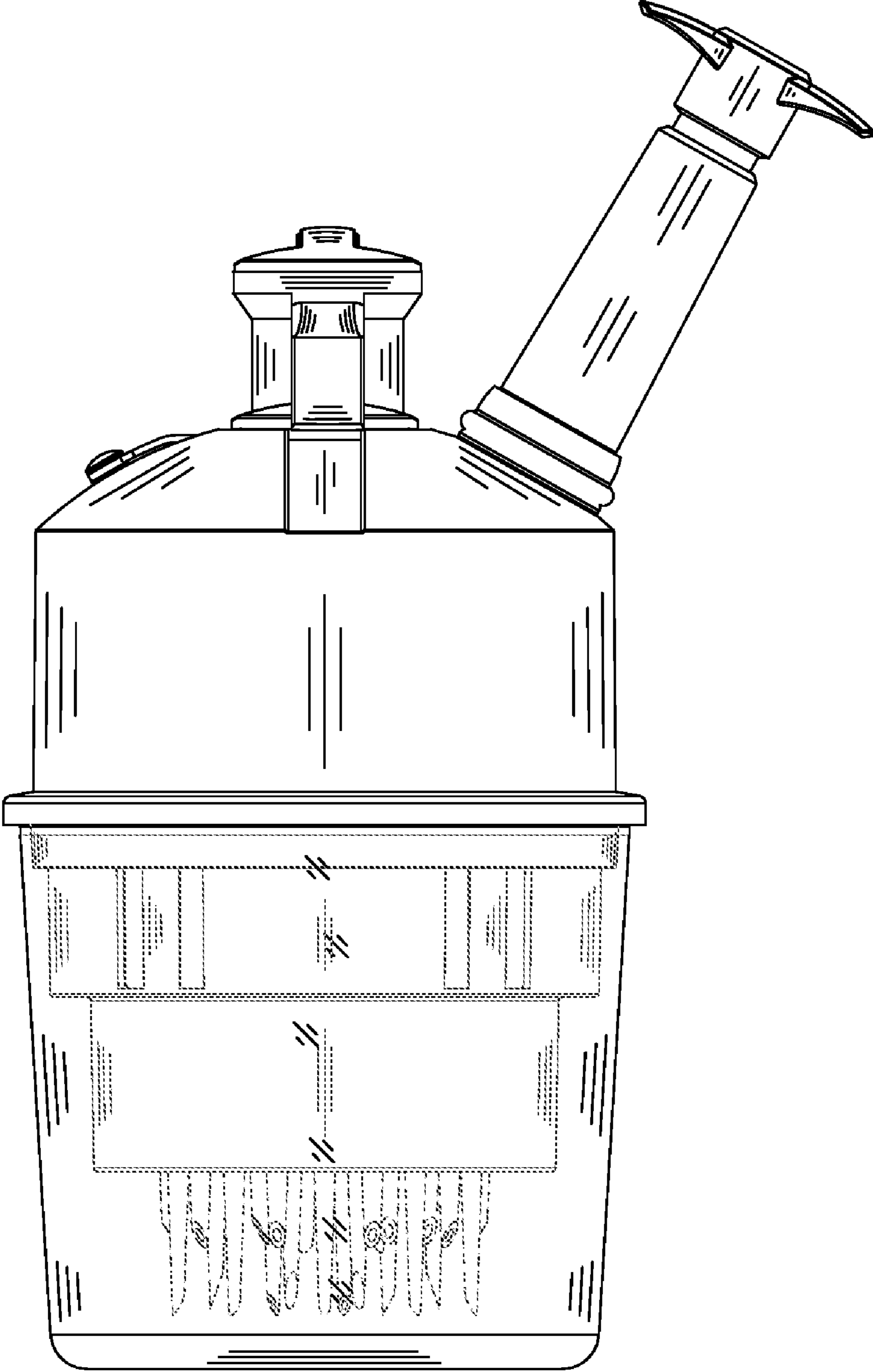


FIG. 6