



US00D611293S

(12) **United States Design Patent**
Chung

(10) **Patent No.:** **US D611,293 S**
(45) **Date of Patent:** **** Mar. 9, 2010**

(54) **BARBECUE GRILL**

(76) Inventor: **Kiosky Chung**, No. 72, Chaoguei Rd.,
Situn District, Taichung City 407 (TW)

(**) Term: **14 Years**

(21) Appl. No.: **29/343,091**

(22) Filed: **Sep. 7, 2009**

(51) **LOC (9) Cl.** **15-05**

(52) **U.S. Cl.** **D7/337**

(58) **Field of Classification Search** D7/402,
D7/403, 407, 409, 332, 337; 126/40, 43,
126/44, 50, 9 R, 25 A, 41 R; 99/445, 448,
99/450, 372

See application file for complete search history.

(56) **References Cited**

U.S. PATENT DOCUMENTS

D228,274 S *	9/1973	Cross	D7/337
D235,959 S *	7/1975	Allander	D7/337
D244,664 S *	6/1977	Monnet	D7/337
D246,151 S *	10/1977	Chan	D7/337
D252,971 S *	9/1979	Ito	D7/337
4,508,095 A *	4/1985	Bloechel	126/9 R
D413,765 S *	9/1999	Adler et al.	D7/407
D416,750 S *	11/1999	Persson	D7/337

D444,991 S *	7/2001	Measom	D7/337
D502,840 S *	3/2005	Schulte et al.	D7/337
D544,291 S *	6/2007	Kong	D7/337
7,367,332 B2 *	5/2008	Mosher et al.	126/9 R
D582,716 S *	12/2008	Averty	D7/337

* cited by examiner

Primary Examiner—Ruth McInroy
(74) *Attorney, Agent, or Firm*—Banger Shia

(57) **CLAIM**

I claim the ornamental design for a barbecue grill, as shown and described.

DESCRIPTION

FIG. 1 is a perspective view of a barbecue grill, showing my new design;

FIG. 2 is a front elevational view thereof;

FIG. 3 is a rear elevational view thereof;

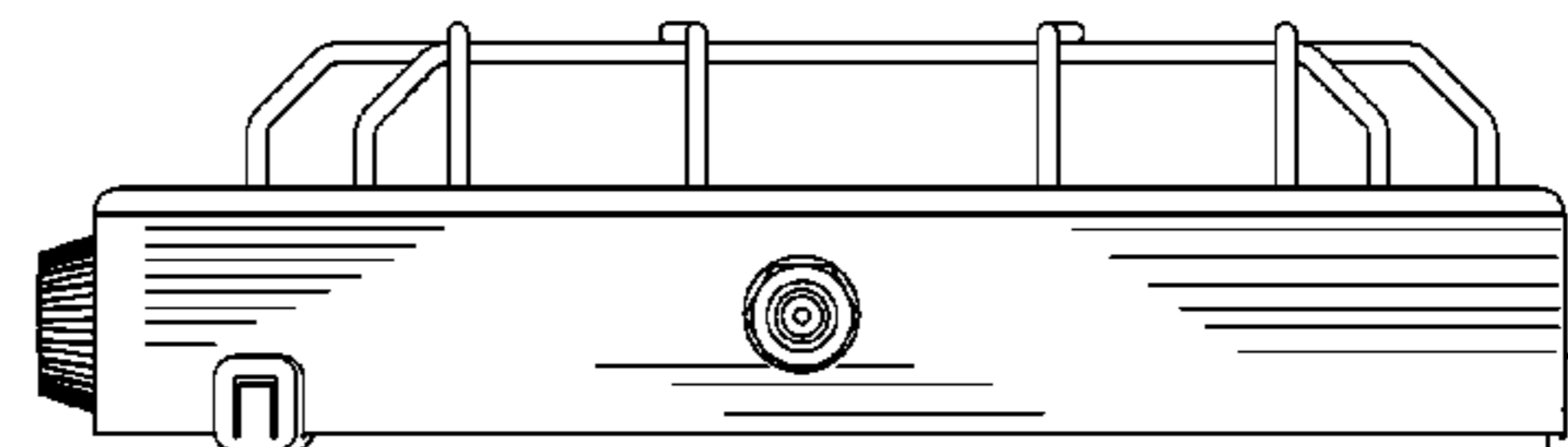
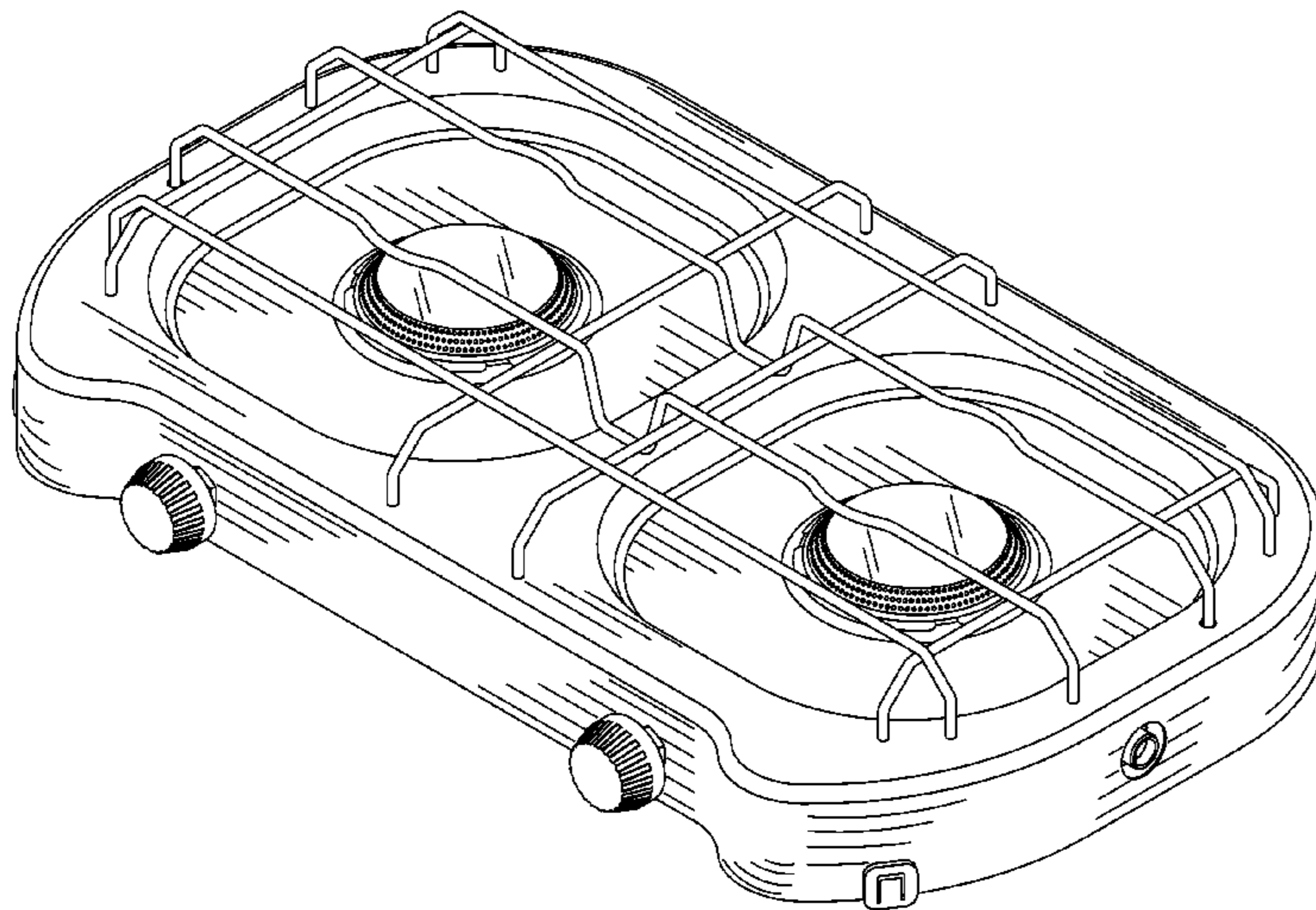
FIG. 4 is a left side elevational view thereof;

FIG. 5 is a right side elevational view thereof;

FIG. 6 is a top plan view thereof; and,

FIG. 7 is a bottom plan view thereof.

1 Claim, 7 Drawing Sheets



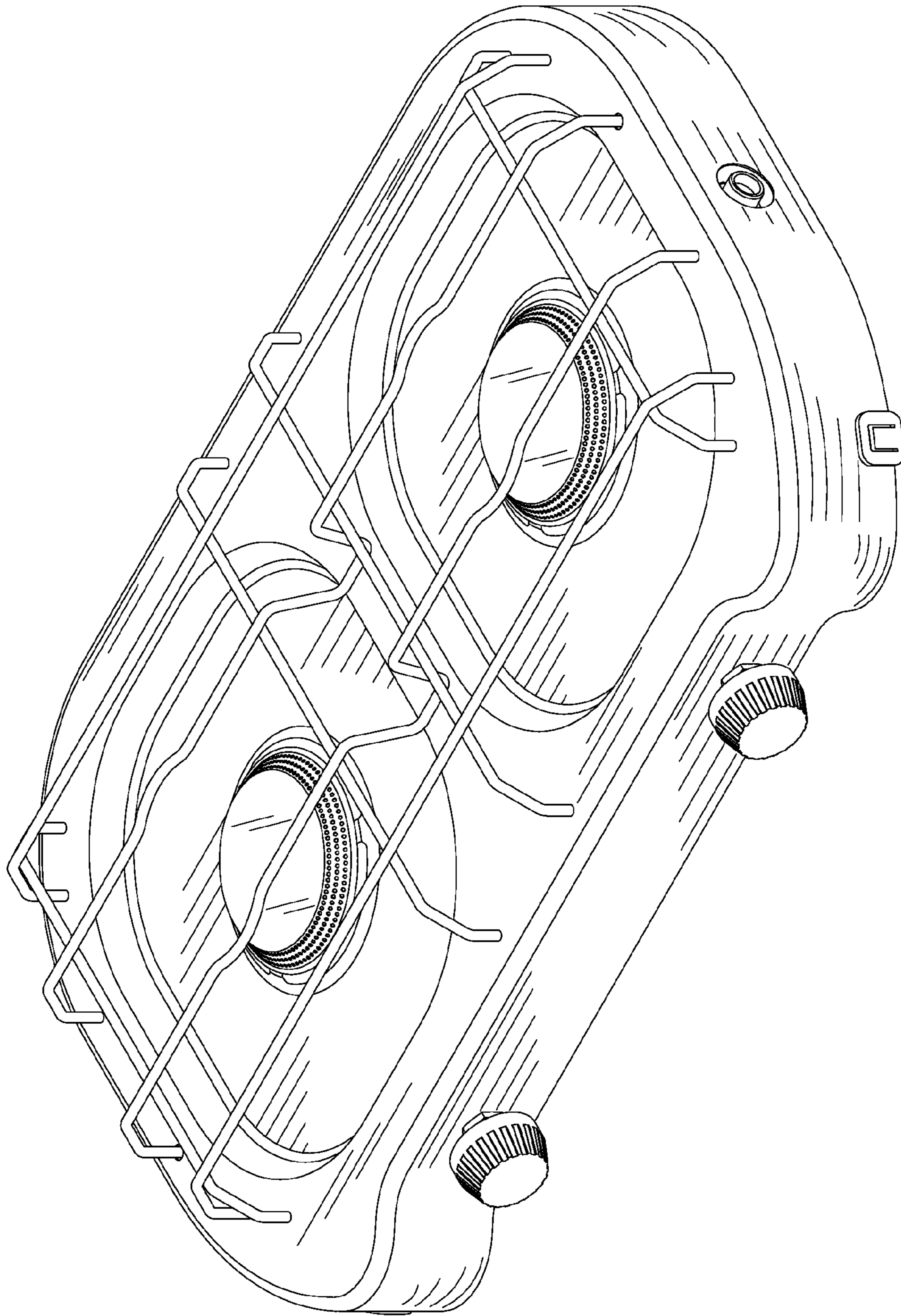


FIG. 1

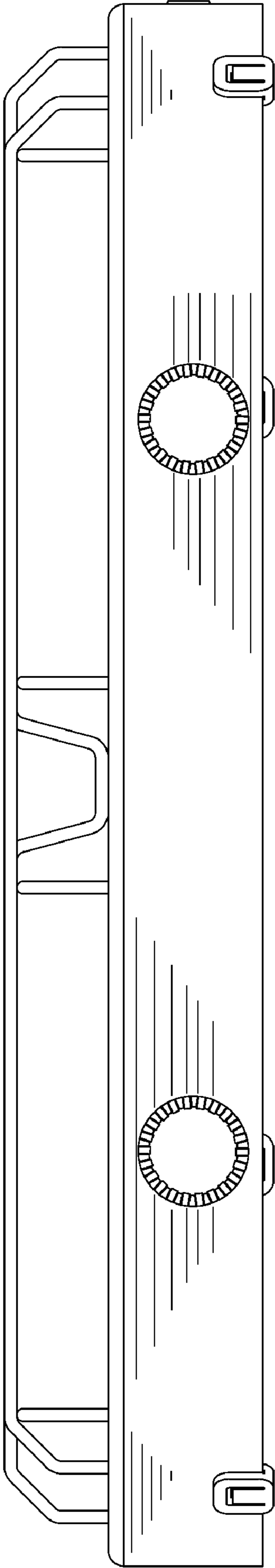


FIG. 2

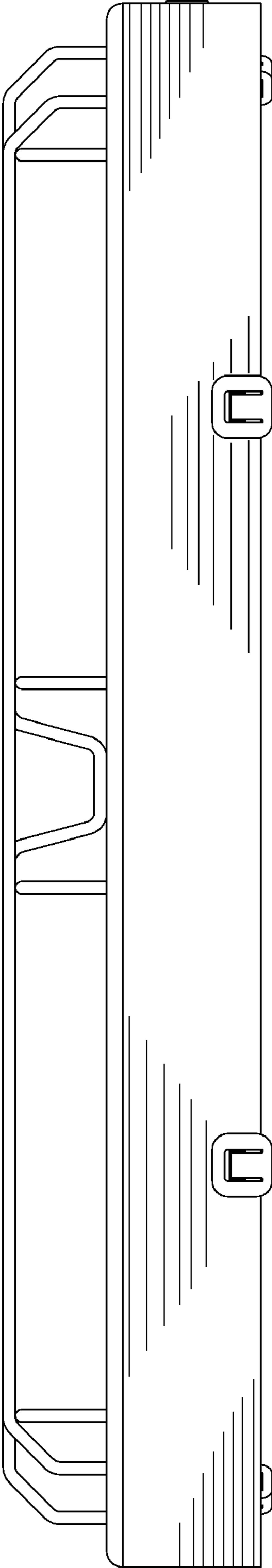


FIG. 3

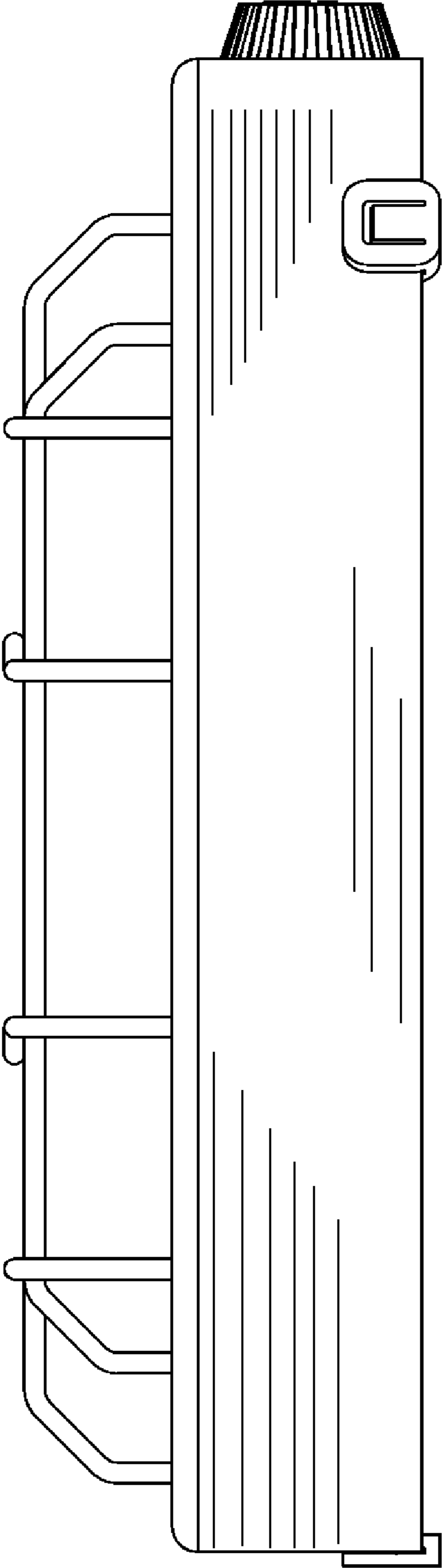


FIG. 4

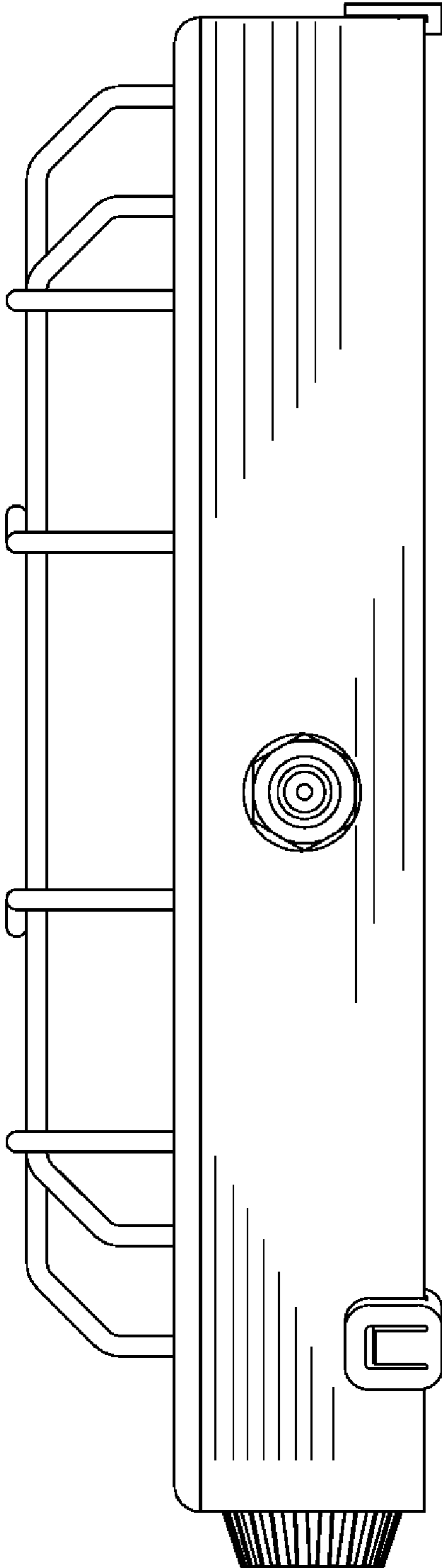


FIG. 5

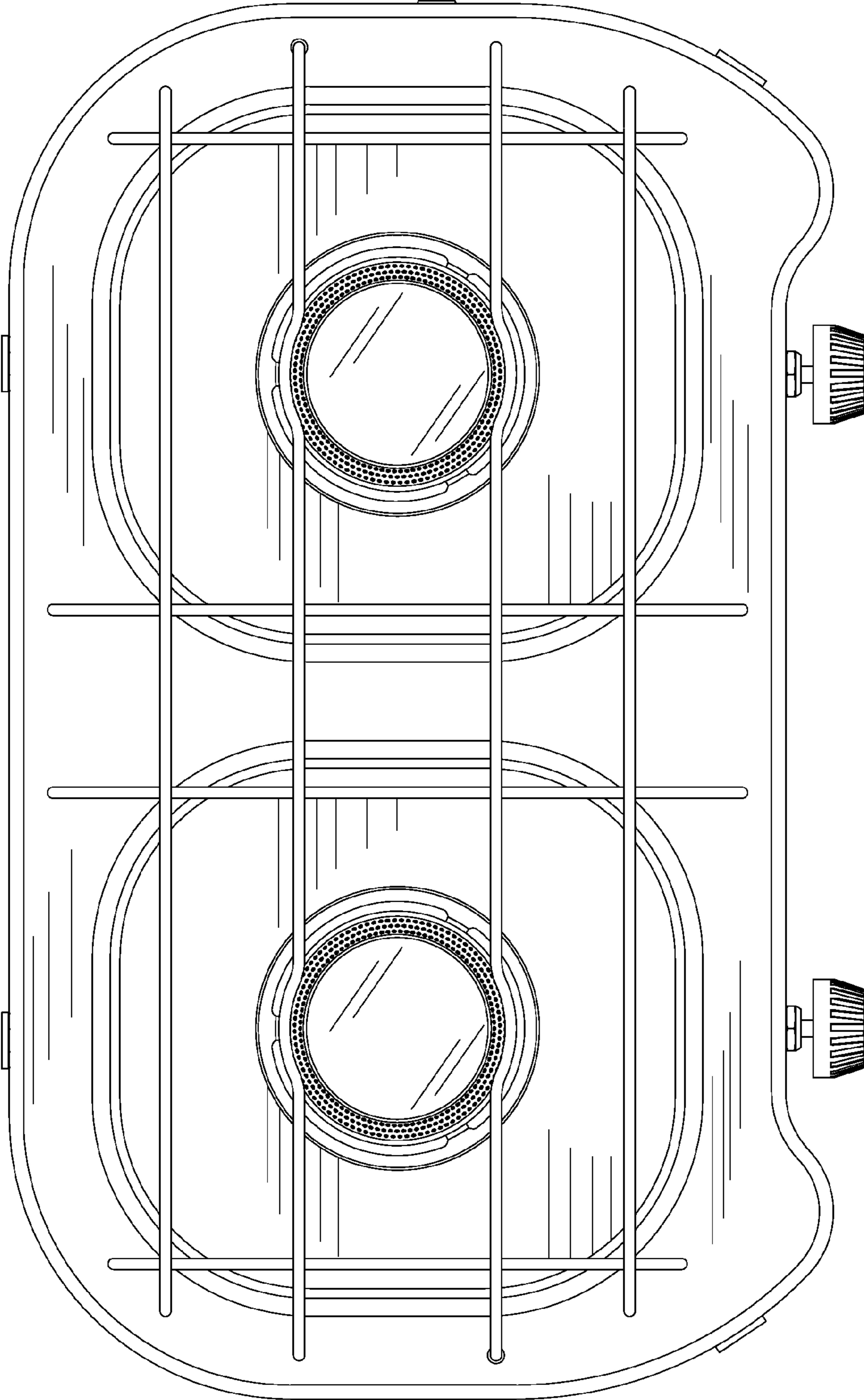


FIG. 6

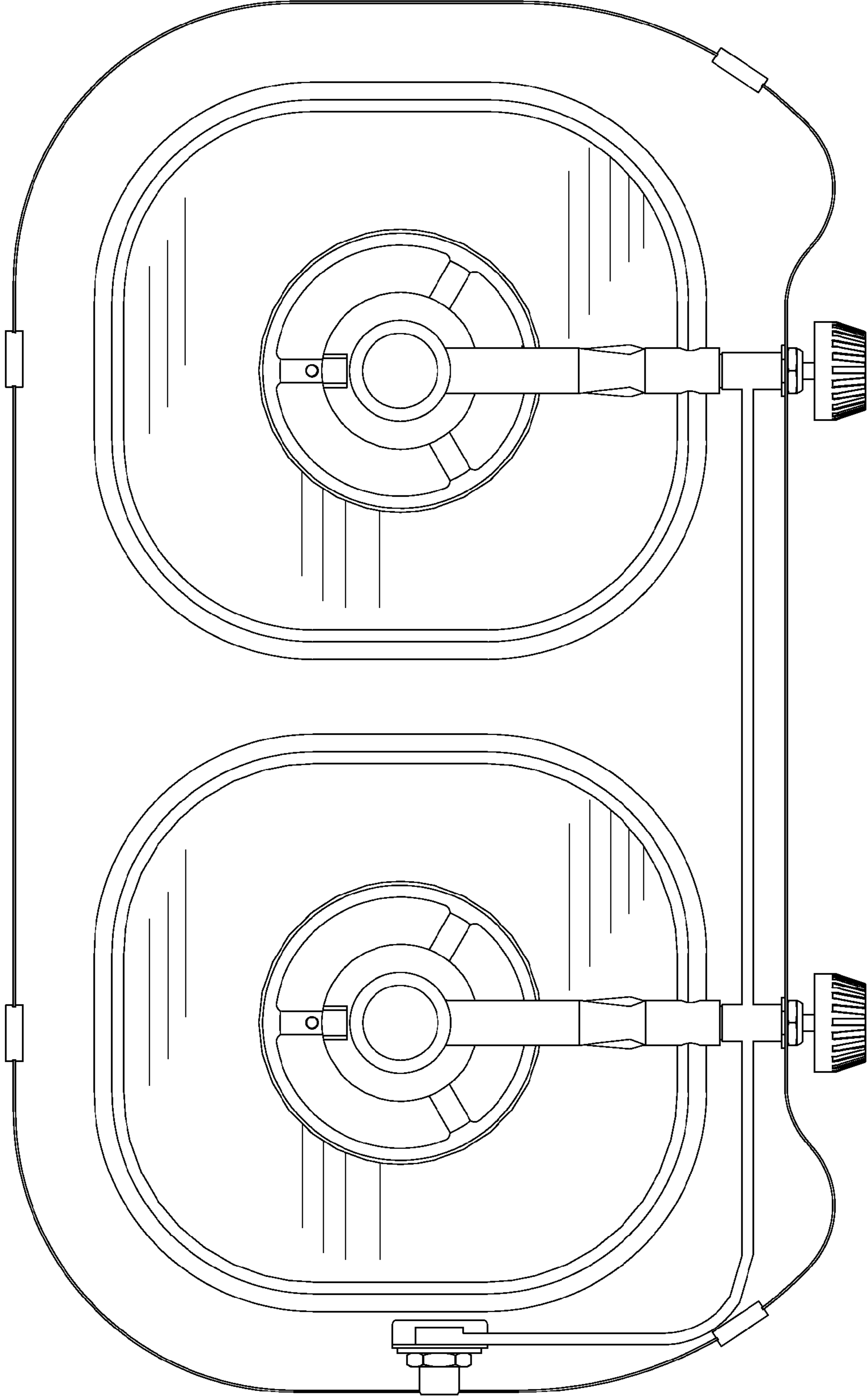


FIG. 7